



US00D510533S

(12) **United States Design Patent**
Hoofnagle

(10) **Patent No.:** **US D510,533 S**

(45) **Date of Patent:** **** Oct. 11, 2005**

(54) **NETWORK CABLE CERTIFICATION INSTRUMENT**

D460,371 S * 7/2002 Wisley et al. D10/78
D460,703 S * 7/2002 Wisley et al. D10/78

(75) **Inventor:** **Wayne S. Hoofnagle**, Redmond, WA (US)

* cited by examiner

Primary Examiner—Antoine D. Davis

(73) **Assignee:** **Fluke Corporation**, Everett, WA (US)

(74) *Attorney, Agent, or Firm*—Richard A. Koske; George T. Noe

(**) **Term:** **14 Years**

(57) **CLAIM**

(21) **Appl. No.:** **29/204,726**

The ornamental design for a network cable certification instrument, as shown and described.

(22) **Filed:** **May 3, 2004**

DESCRIPTION

(51) **LOC (8) Cl.** **10-04**

FIG. 1 is a perspective view of a network cable certification instrument showing my new design;

(52) **U.S. Cl.** **D10/78**

FIG. 2 is a front plan view thereof;

(58) **Field of Search** D10/78; 370/241, 370/341.1, 242–253, 901–907, 908–911; 372/1.01–35

FIG. 3 is a right side elevation view thereof;

FIG. 4 is a left side elevation view thereof;

FIG. 5 is a rear plan view thereof;

FIG. 6 is a top elevation view thereof; and,

FIG. 7 is a bottom elevation view thereof.

(56) **References Cited**

U.S. PATENT DOCUMENTS

D427,090 S 6/2000 Washburn et al.

1 Claim, 4 Drawing Sheets

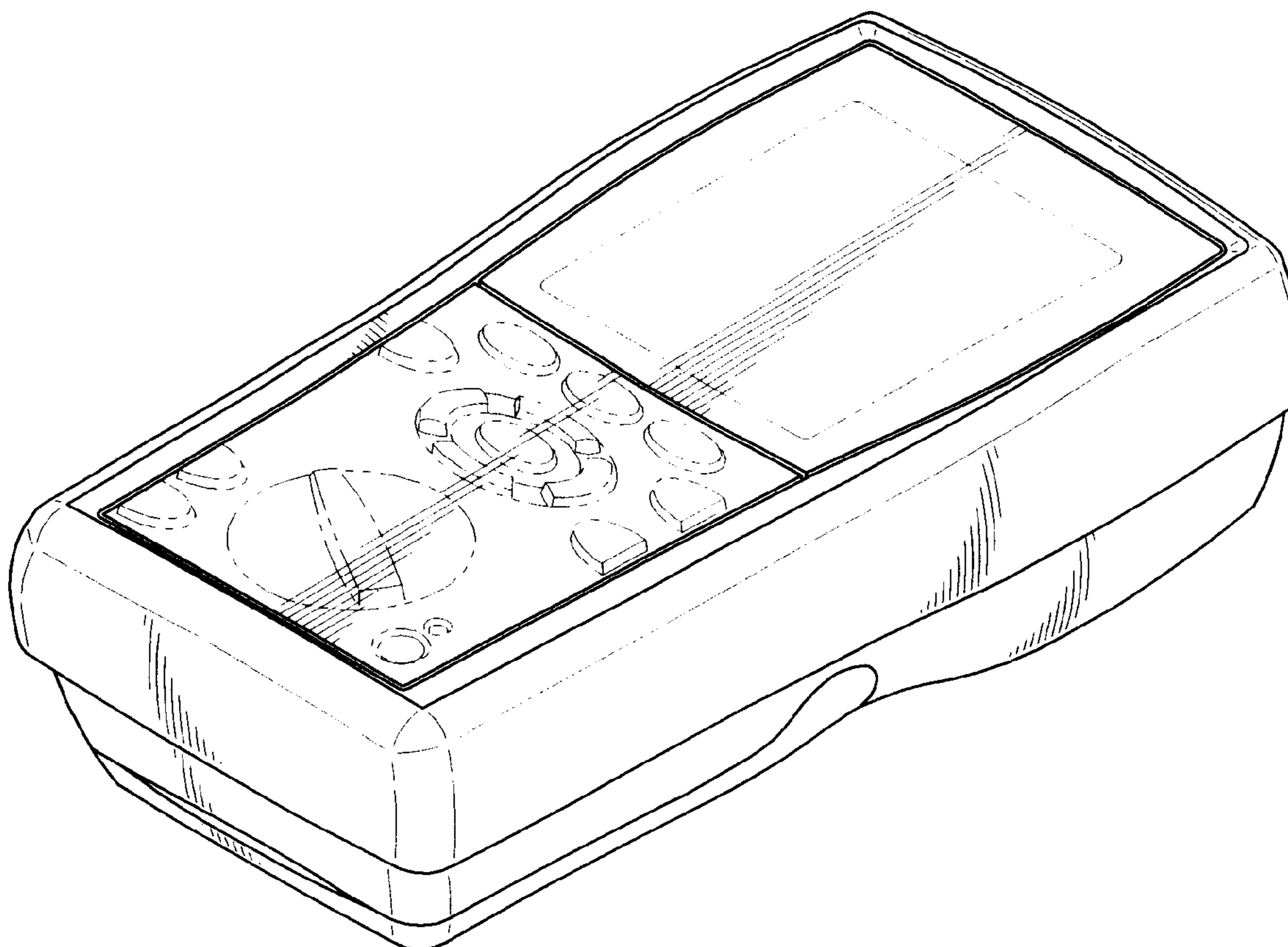


FIG. 1

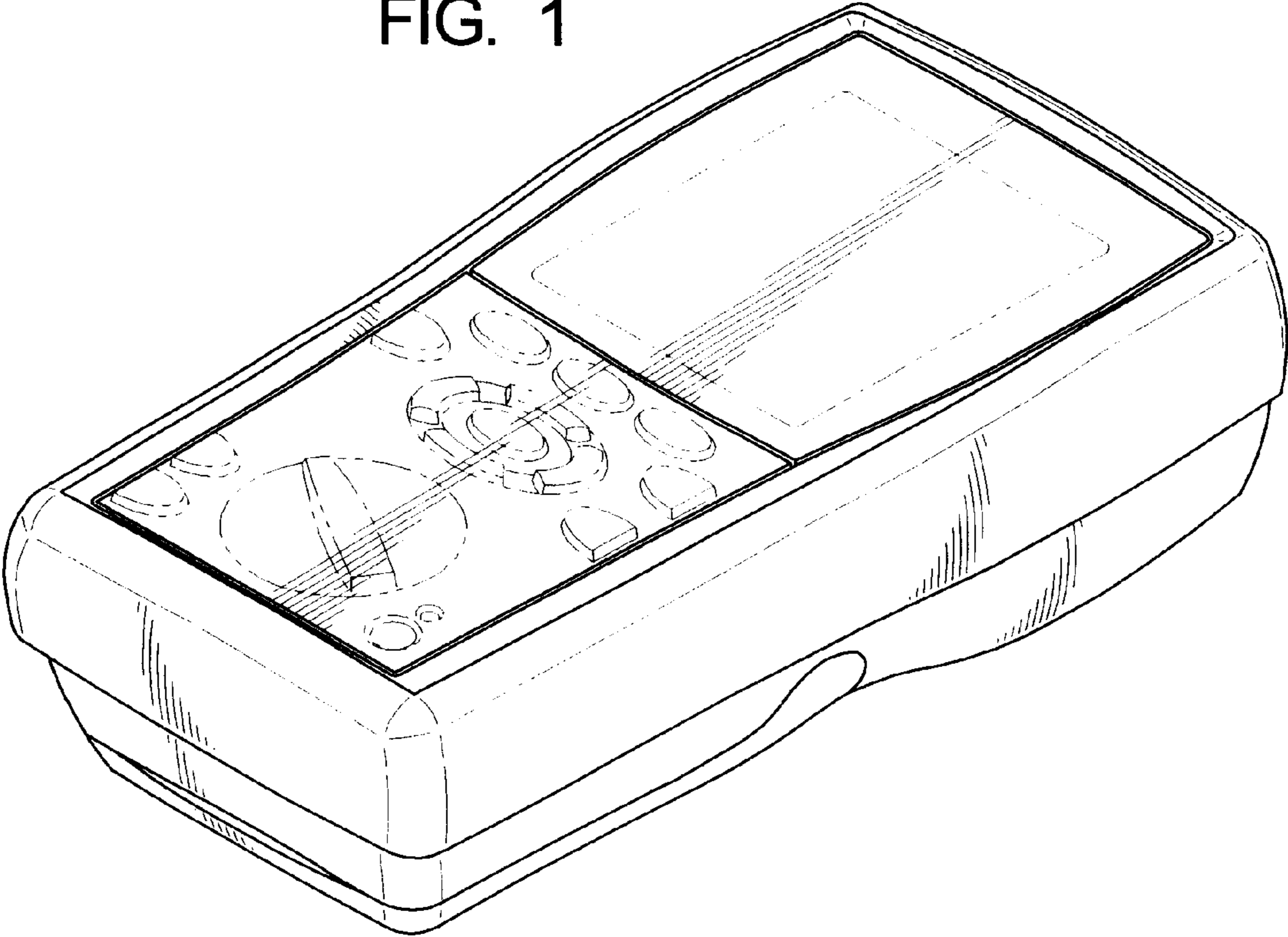


FIG. 2

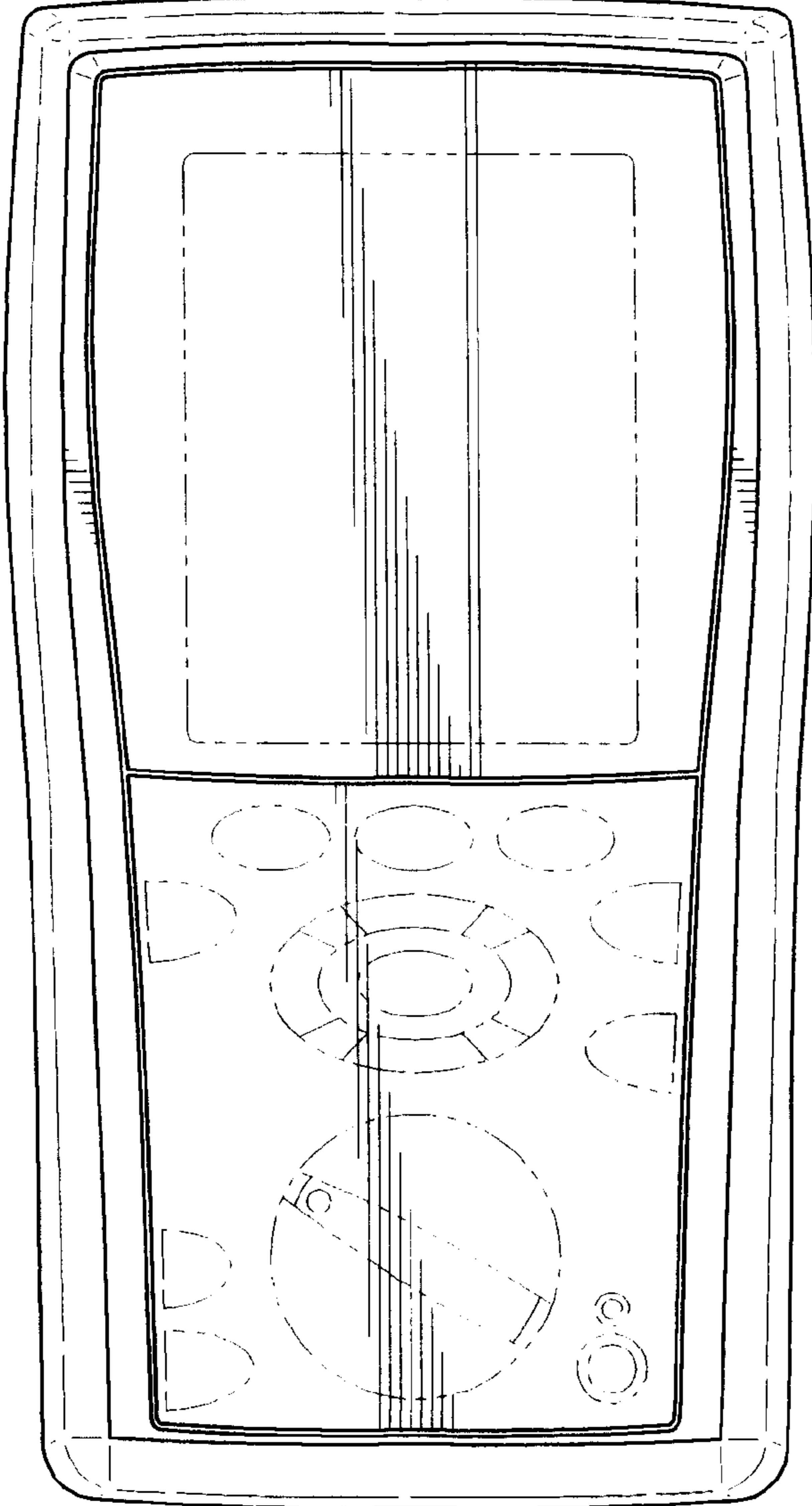


FIG. 3

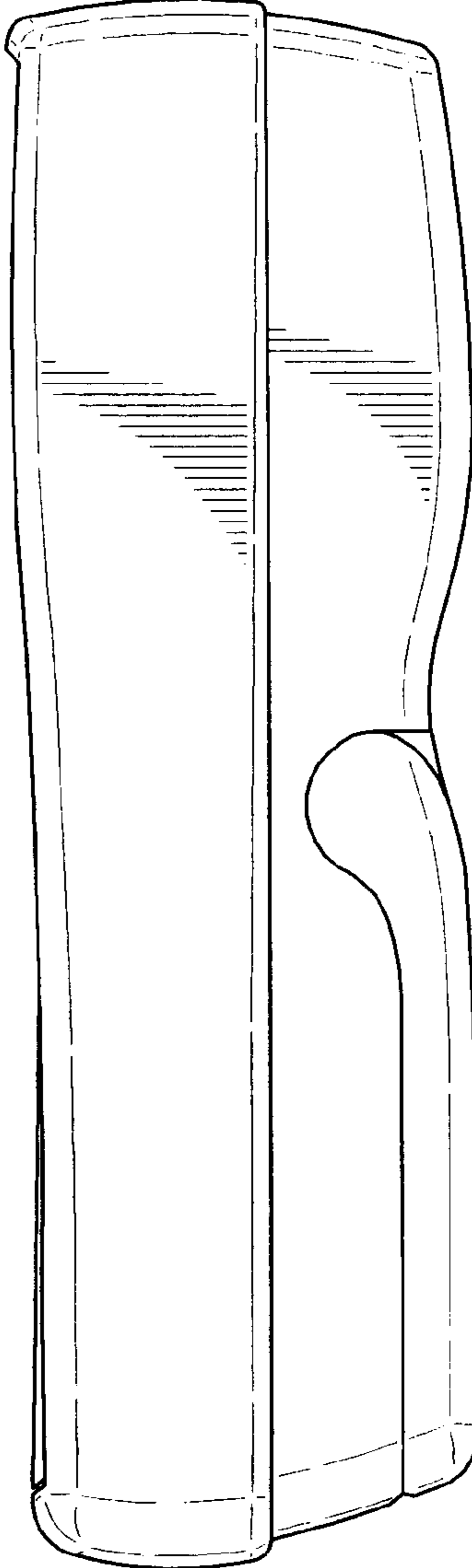


FIG. 4

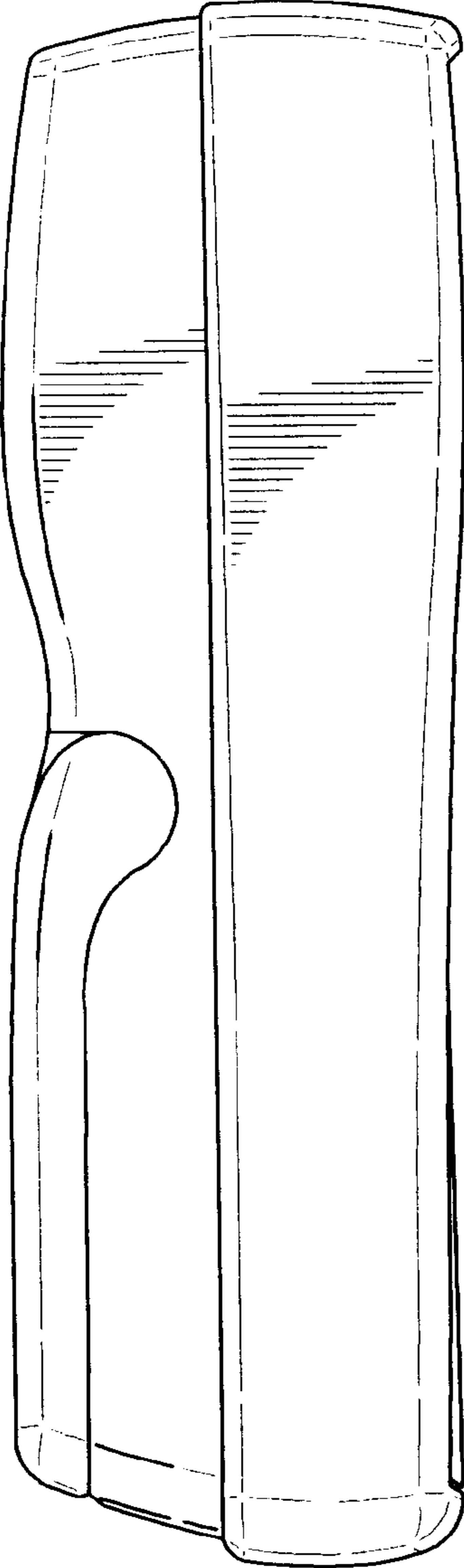


FIG. 5

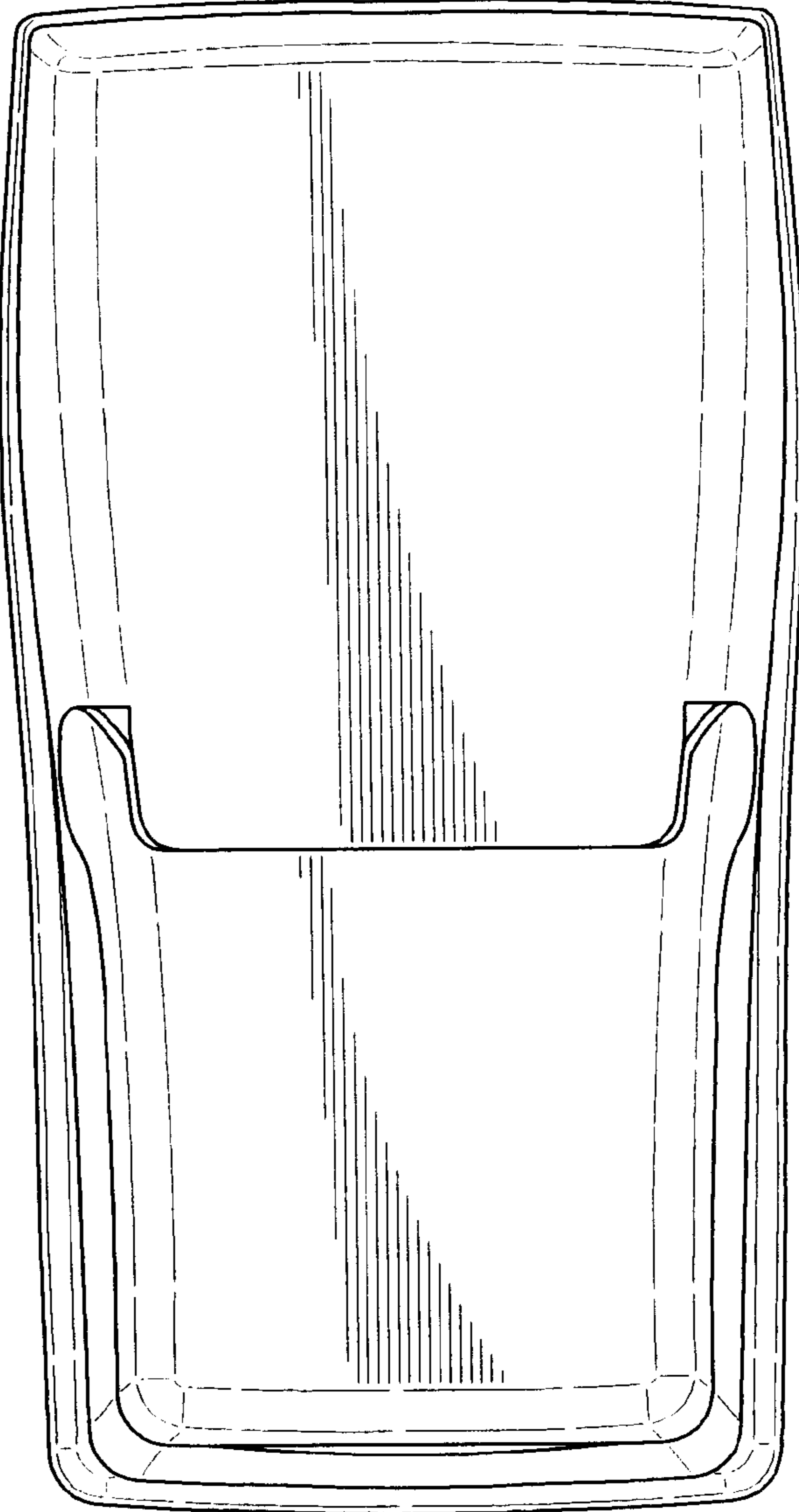


FIG. 6

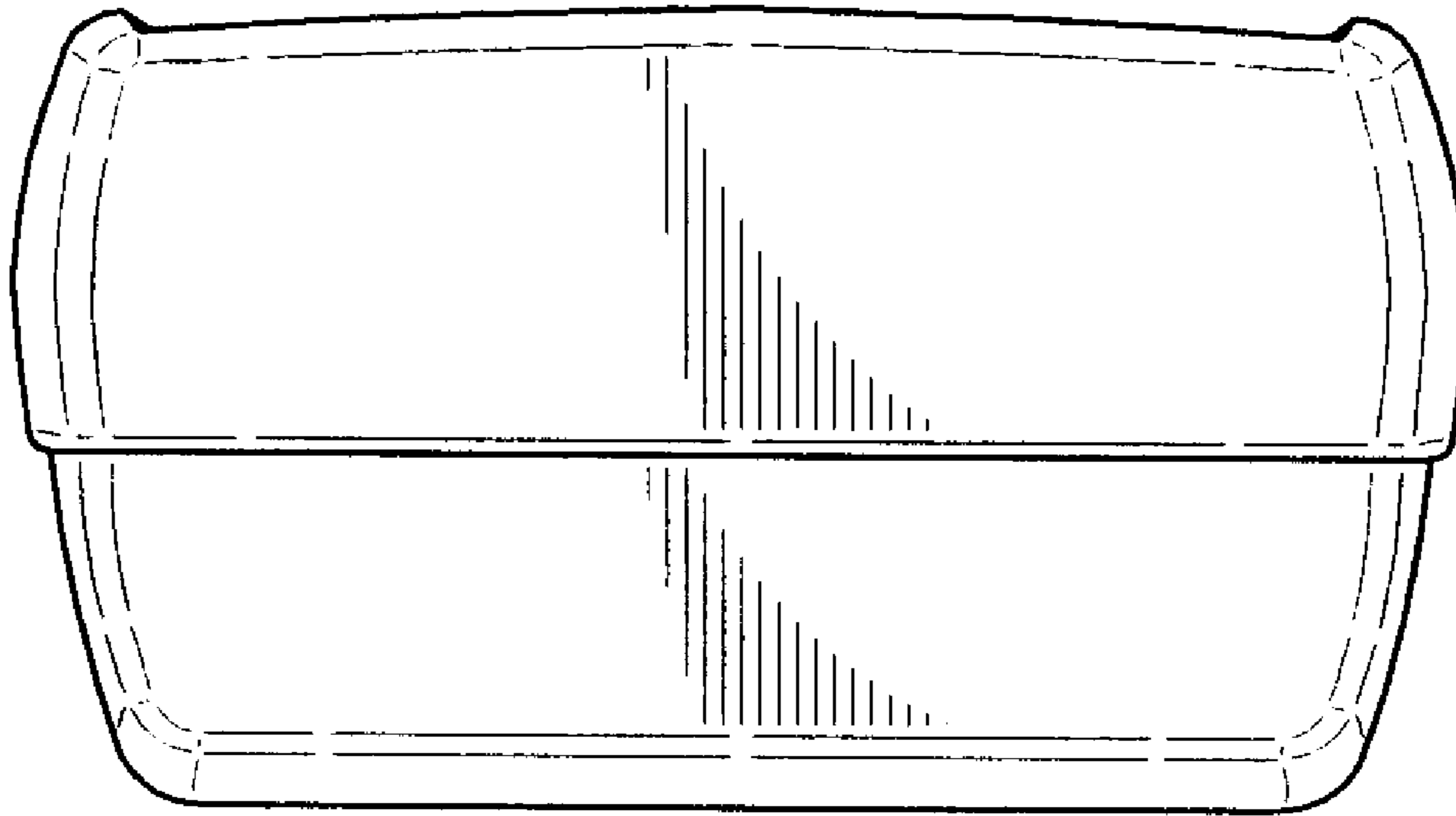


FIG. 7

