



US00D510532S

(12) **United States Design Patent**
Lin

(10) **Patent No.:** **US D510,532 S**

(45) **Date of Patent:** **** Oct. 11, 2005**

(54) **MULTI-FUNCTIONS TAPE RULE**

(75) **Inventor:** **Henry Lin**, Taipei (TW)

(73) **Assignee:** **Index Measuring Tape Co., Ltd.**,
Taipei (TW)

(**) **Term:** **14 Years**

(21) **Appl. No.:** **29/218,059**

(22) **Filed:** **Nov. 29, 2004**

(51) **LOC (8) Cl.** **10-04**

(52) **U.S. Cl.** **D10/72; D10/62**

(58) **Field of Search** **D10/62, 72; 33/760-763**

(56) **References Cited**

U.S. PATENT DOCUMENTS

- D335,091 S * 4/1993 Schwartz D10/72
- D489,632 S * 5/2004 Lin D10/72

* cited by examiner

Primary Examiner—Antoine D. Davis
(74) *Attorney, Agent, or Firm*—Dennison, Schultz,
Dougherty & MacDonald

(57) **CLAIM**

The ornamental design for a multi-functions tape rule, as shown and described.

DESCRIPTION

FIG. 1 is an elevational view of a multi-functions tape rule showing my new design;

FIG. 2 is a front elevational view thereof;

FIG. 3 is a rear elevational view thereof;

FIG. 4 is a left elevational view thereof;

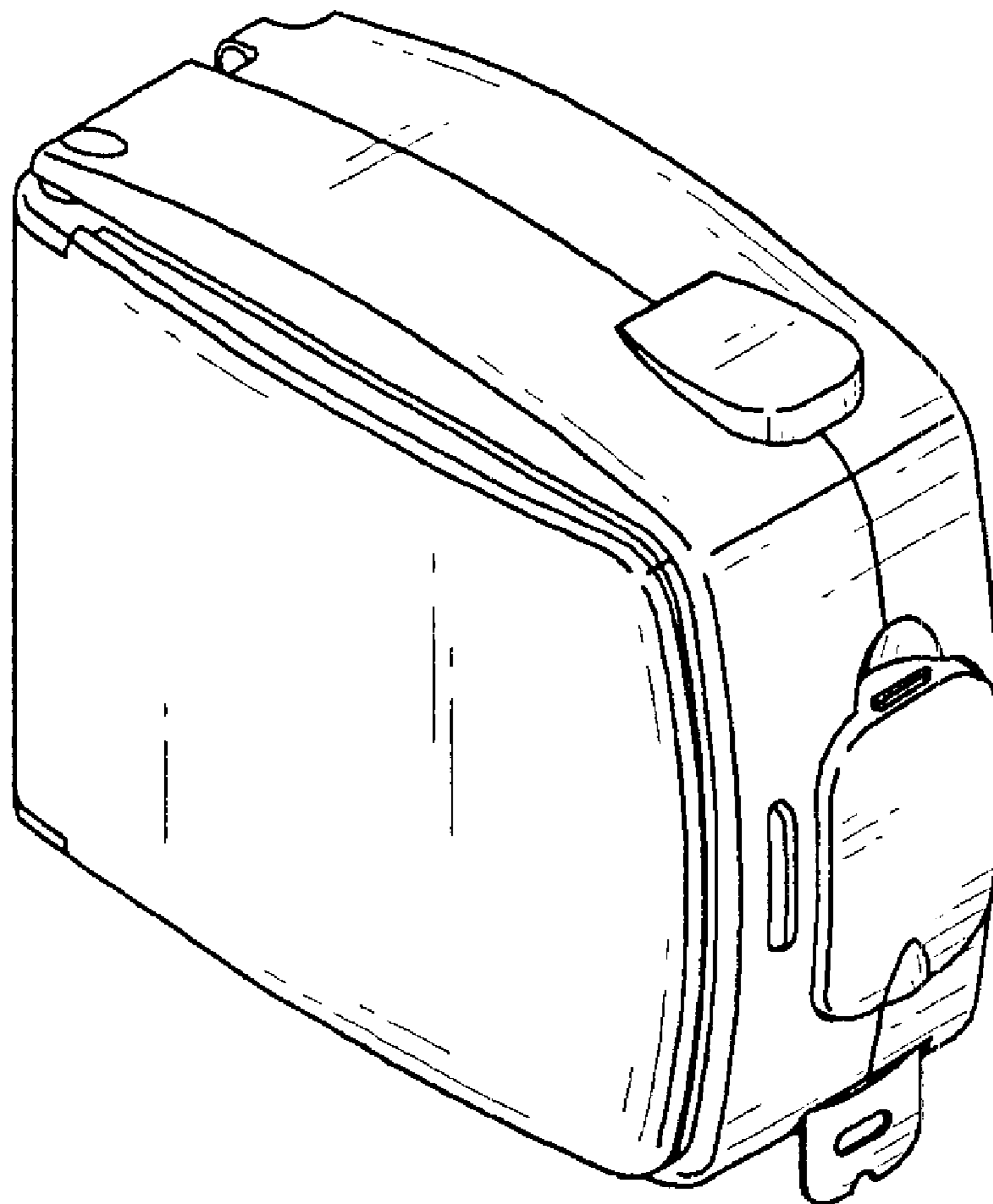
FIG. 5 is a right elevational view thereof;

FIG. 6 is a top plan elevational view thereof;

FIG. 7 is a bottom plan elevational view thereof; and,

FIG. 8 is a perspective view showing the status of use of my new design.

1 Claim, 5 Drawing Sheets



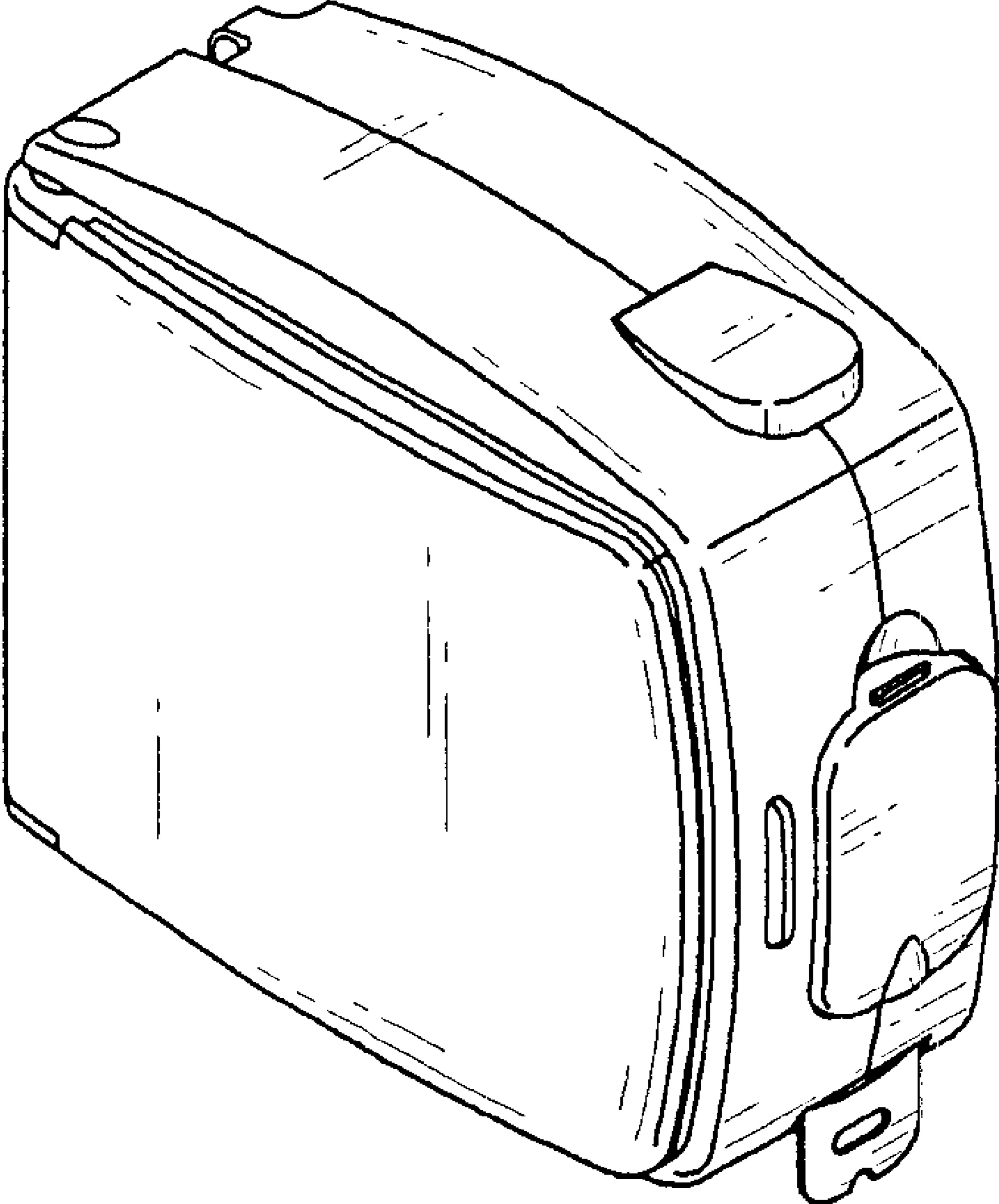


FIG. 1

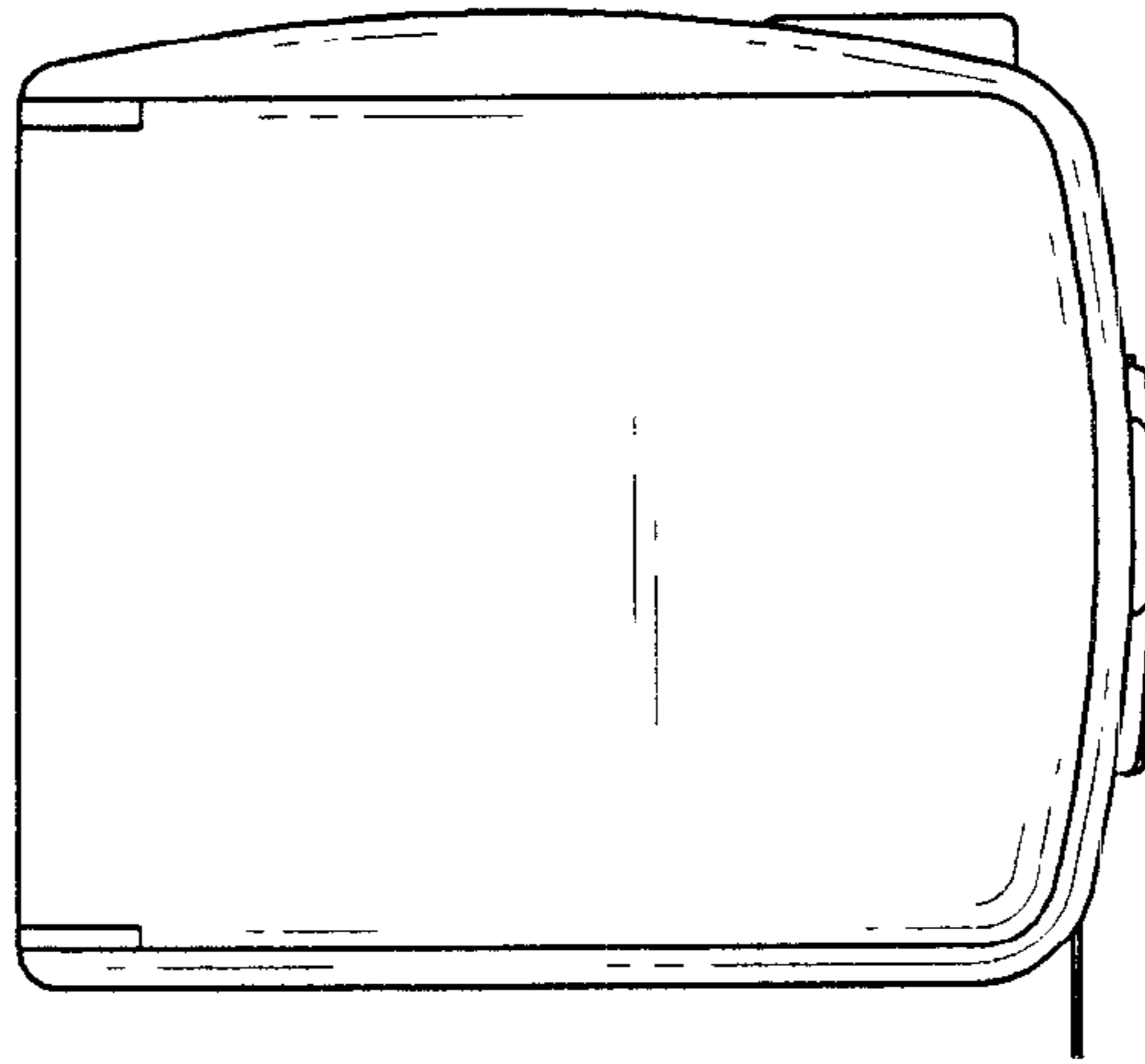


FIG. 2

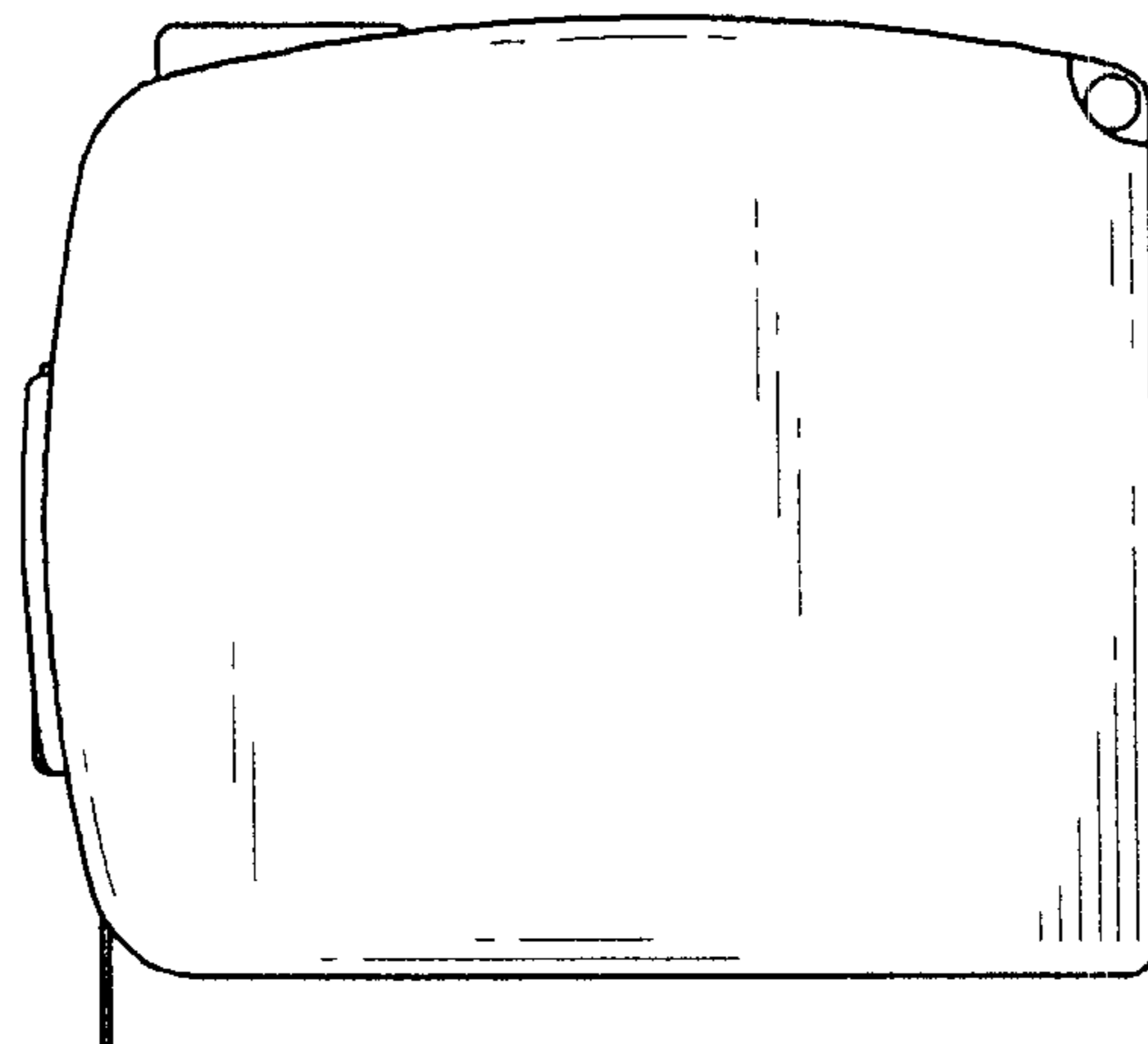


FIG. 3

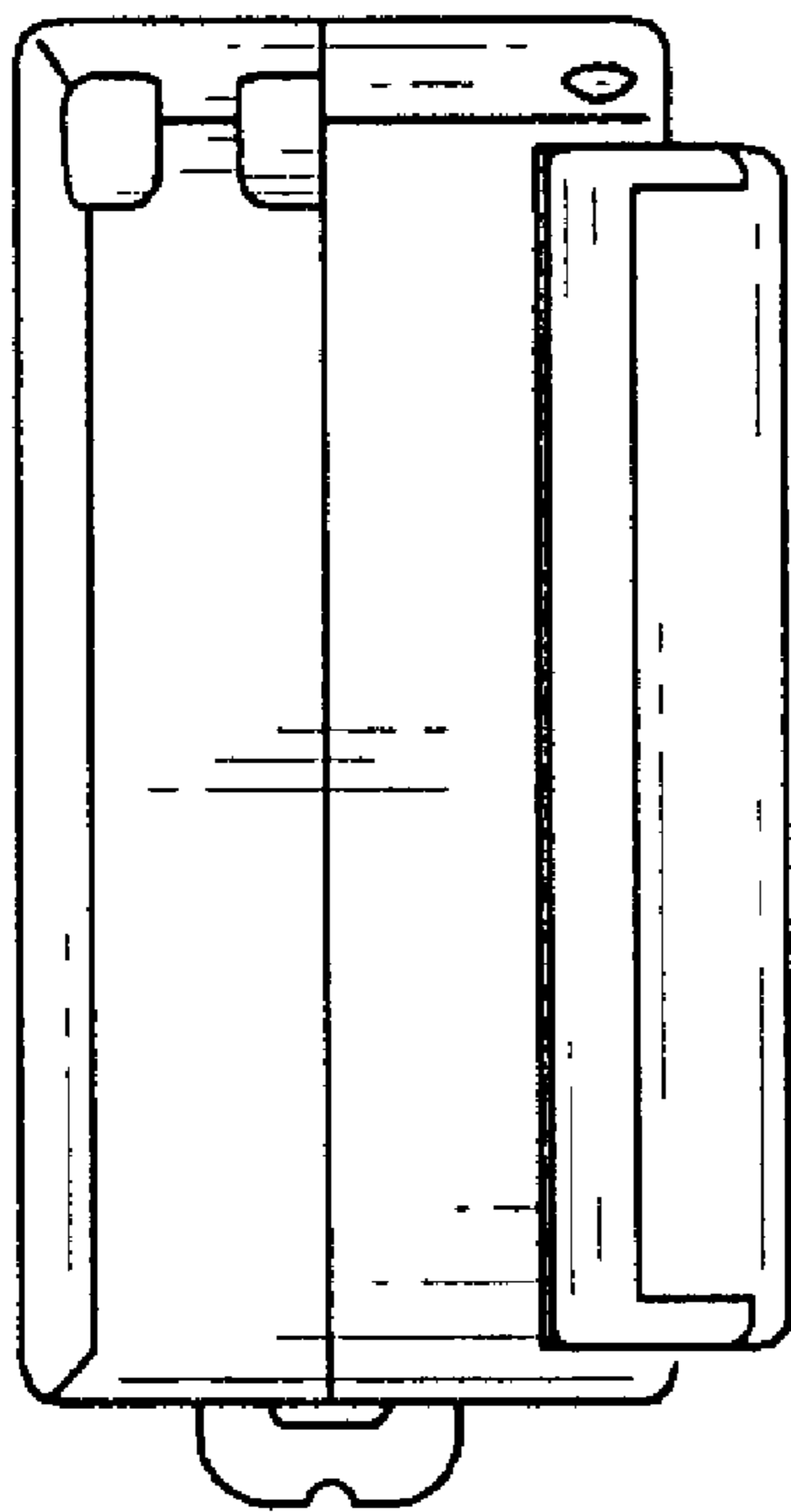


FIG. 4

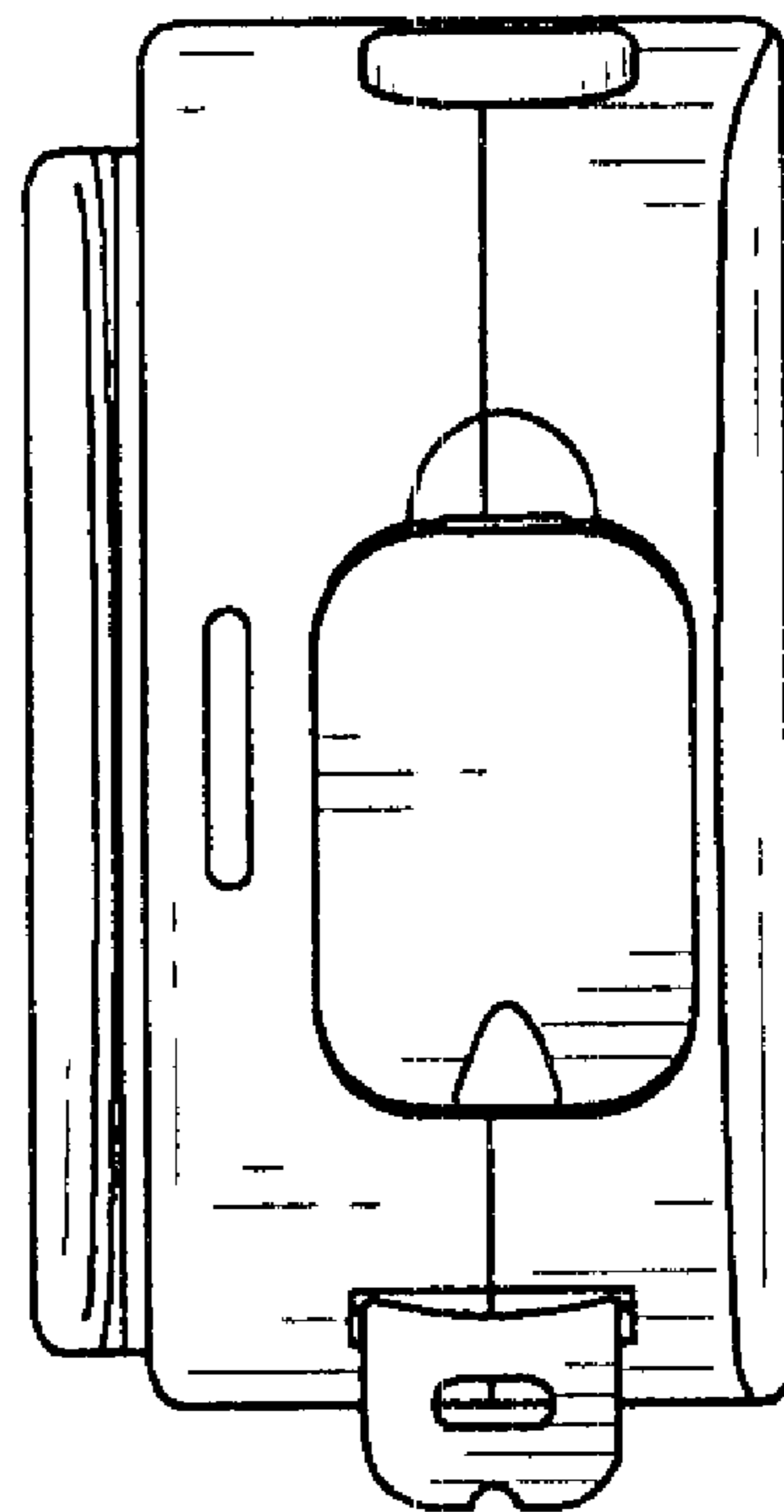


FIG. 5

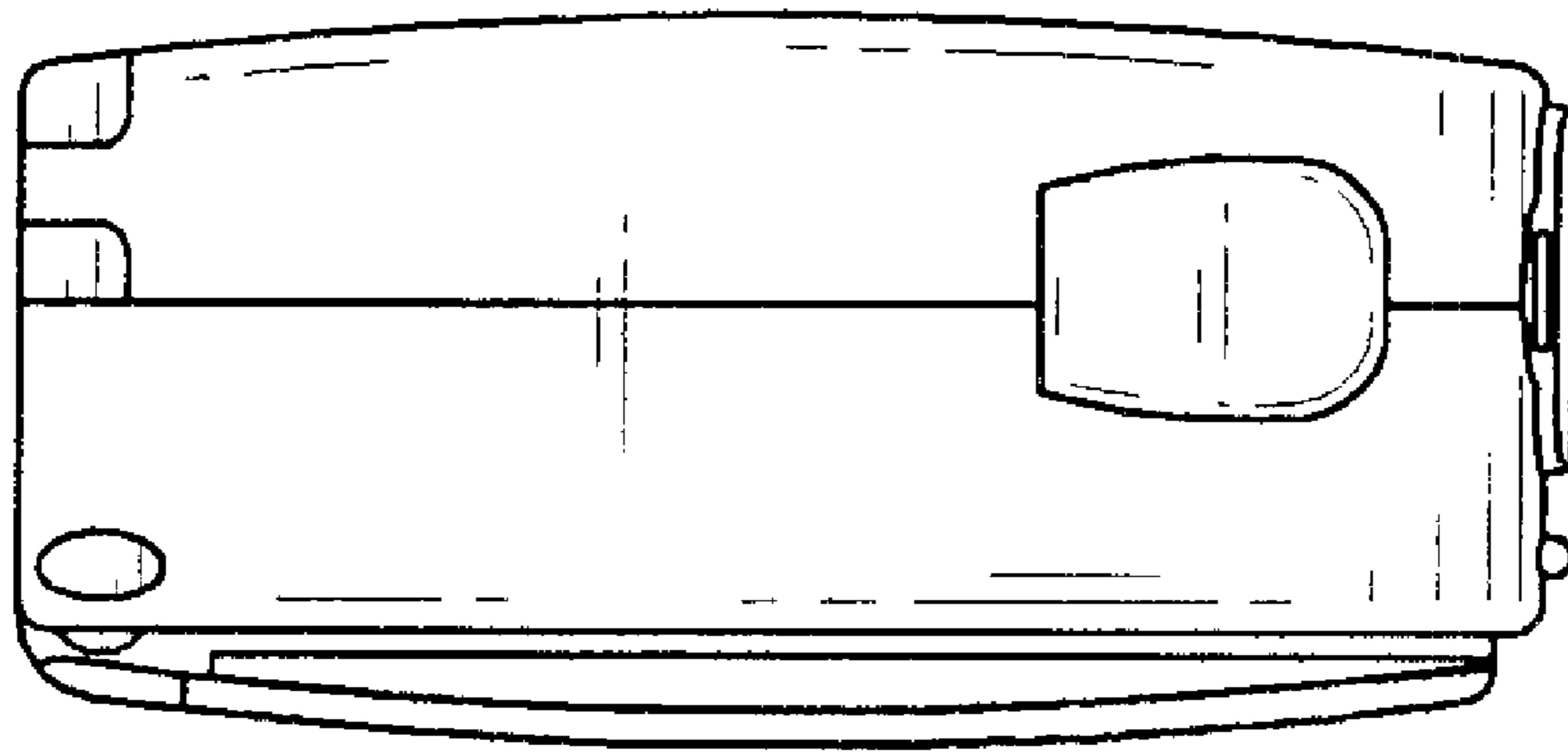


FIG. 6

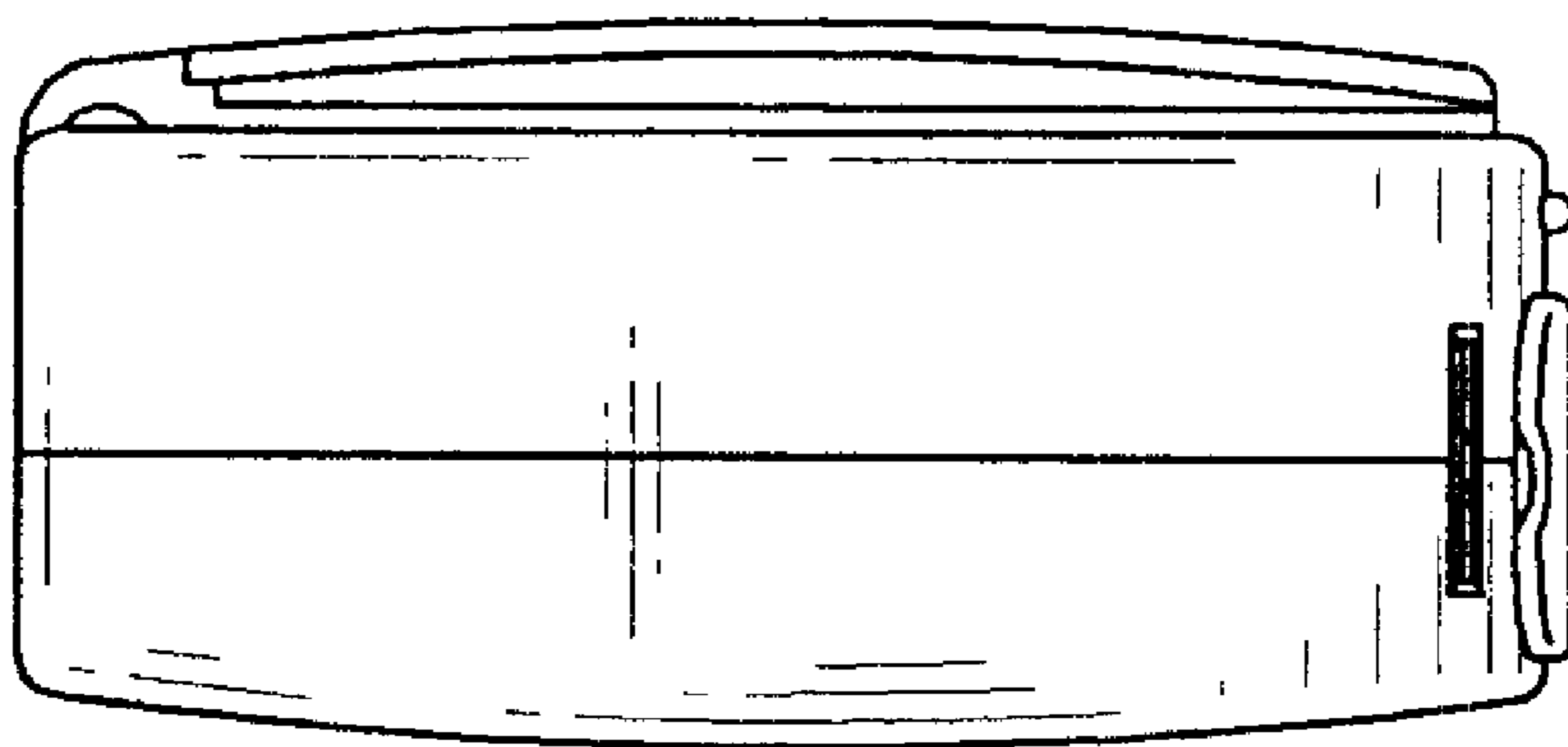


FIG. 7

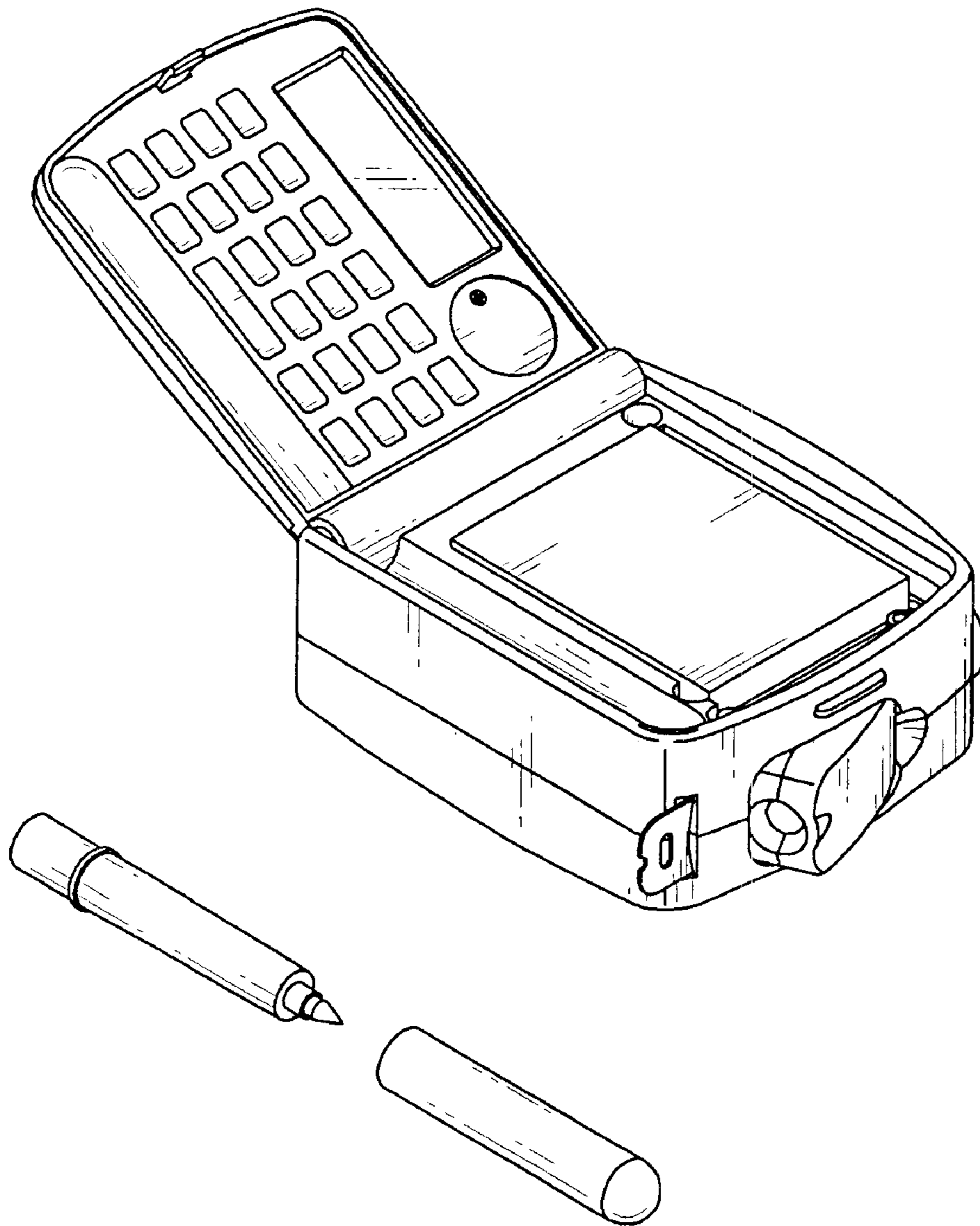


FIG. 8