



US00D510531S

(12) **United States Design Patent**
Dipasquale et al.

(10) **Patent No.:** **US D510,531 S**

(45) **Date of Patent:** **** Oct. 11, 2005**

(54) **OPTICAL INSTRUMENT**

D386,993 S * 12/1997 Fujii et al. D10/66

(75) Inventors: **Kathy E. Dipasquale**, Baltimore, MD
(US); **Daniel N. Lopano**, Towson, MD
(US)

* cited by examiner

Primary Examiner—Antoine D. Davis

(74) *Attorney, Agent, or Firm*—Adan Ayala

(73) Assignee: **Black & Decker Inc.**, Newark, DE
(US)

(57) **CLAIM**

The ornamental design for an optical instrument, as shown and described.

(**) Term: **14 Years**

DESCRIPTION

(21) Appl. No.: **29/181,857**

FIG. 1 is a left side elevational view of an embodiment of an optical instrument according to the invention.

(22) Filed: **May 16, 2003**

FIG. 2 is a right side elevational view of the embodiment.

(51) **LOC (8) Cl.** **10-09**

FIG. 3 is a perspective view from the left side of the embodiment.

(52) **U.S. Cl.** **D10/70**

FIG. 4 is a perspective view from the right side of the embodiment.

(58) **Field of Search** D10/66; 33/290-299

FIG. 5 is a top plan view of the embodiment.

(56) **References Cited**

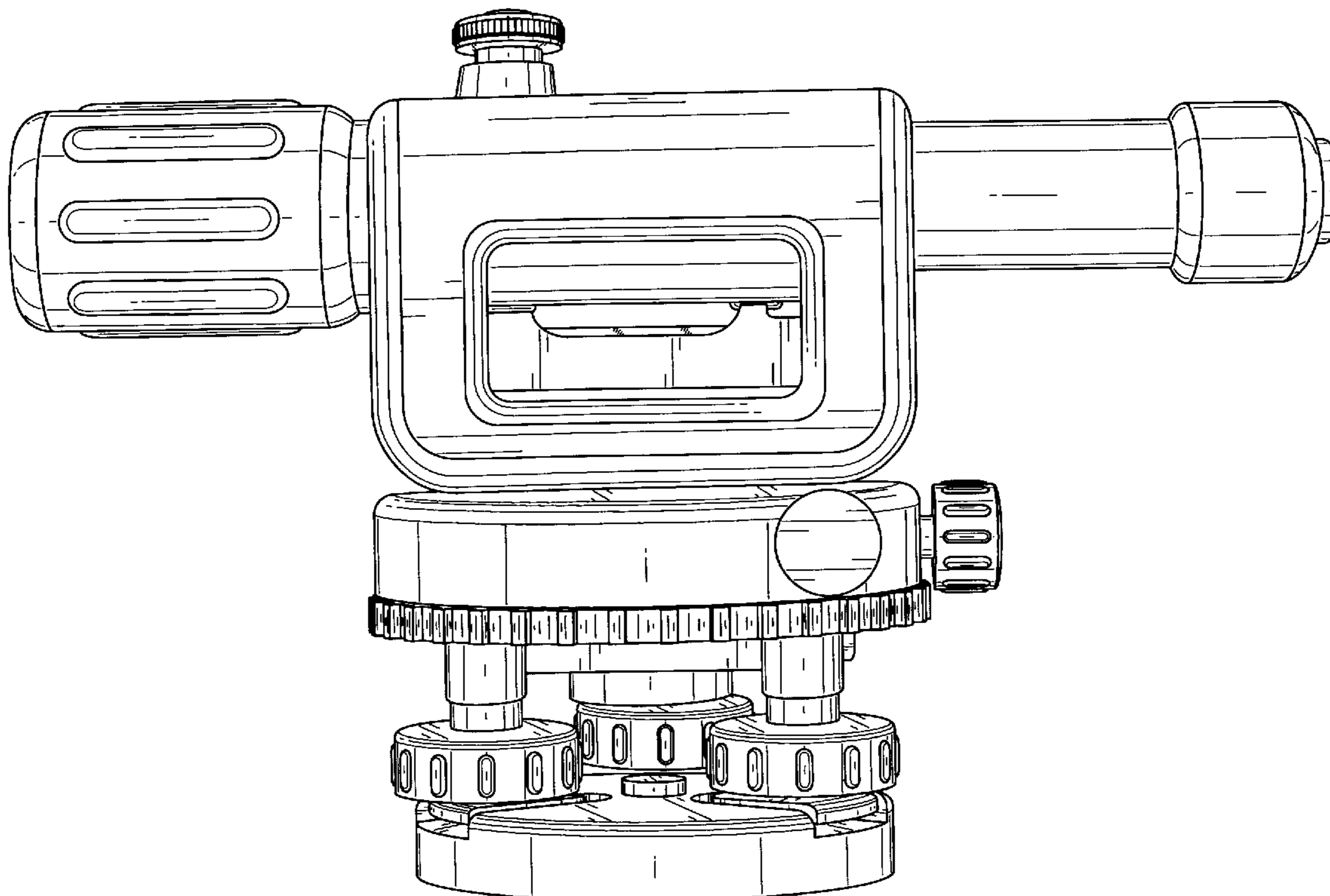
U.S. PATENT DOCUMENTS

FIG. 6 is a front elevational view of the embodiment; and, FIG. 7 is a rear elevational view of the embodiment.

D235,318 S	*	6/1975	Kooi	D10/66
D235,319 S	*	6/1975	Kooi	D10/66
D235,375 S	*	6/1975	Kooi et al.	D10/66
D235,524 S	*	6/1975	Kooi et al.	D10/66
D235,525 S	*	6/1975	Kooi et al.	D10/66
D333,276 S	*	2/1993	Donn	D10/66

In the above drawings, any wording or numerals shown therein does not form a part of the invention. Furthermore, any views not shown do not form a part of the invention.

1 Claim, 7 Drawing Sheets



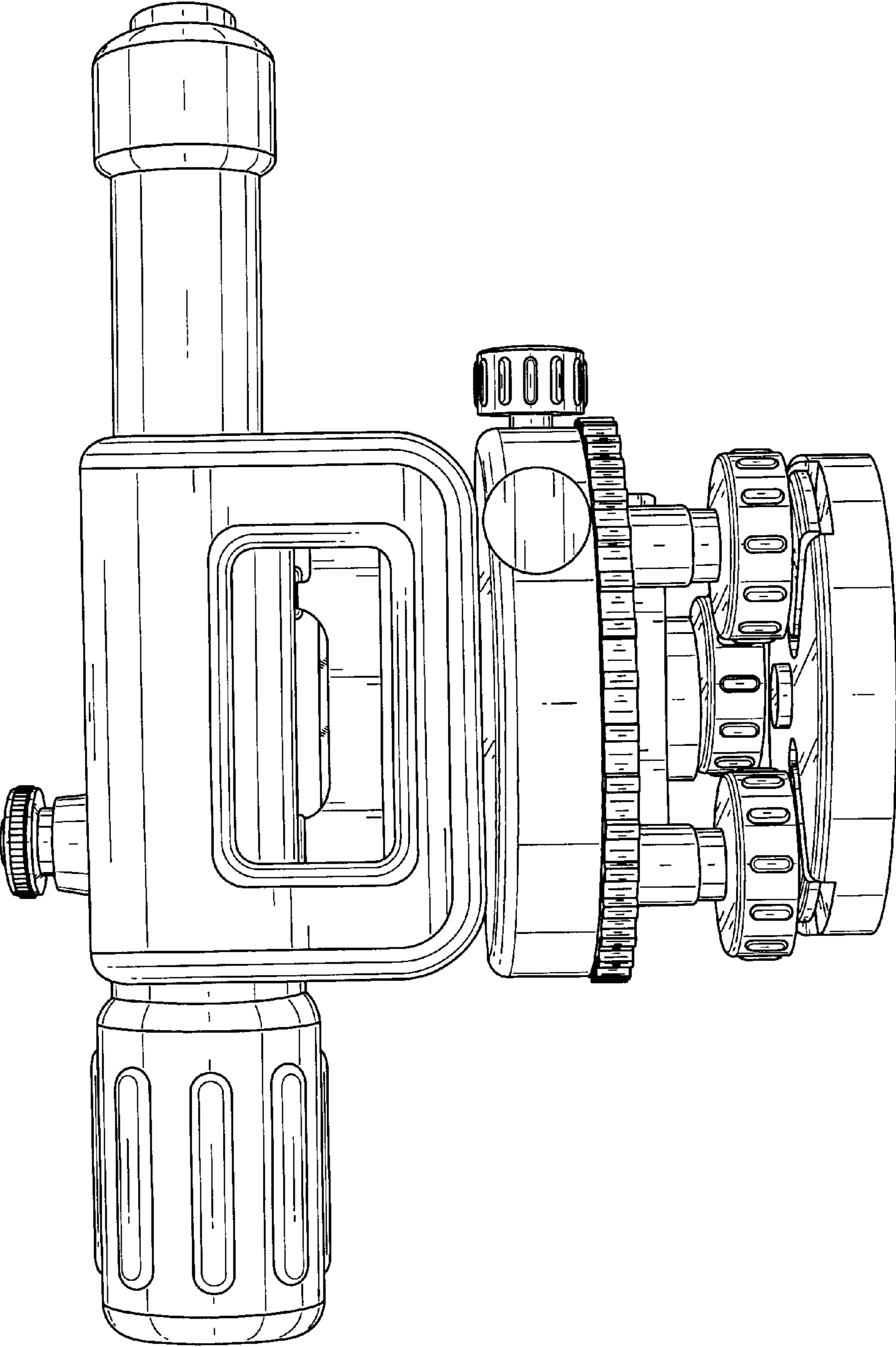


FIG. 1

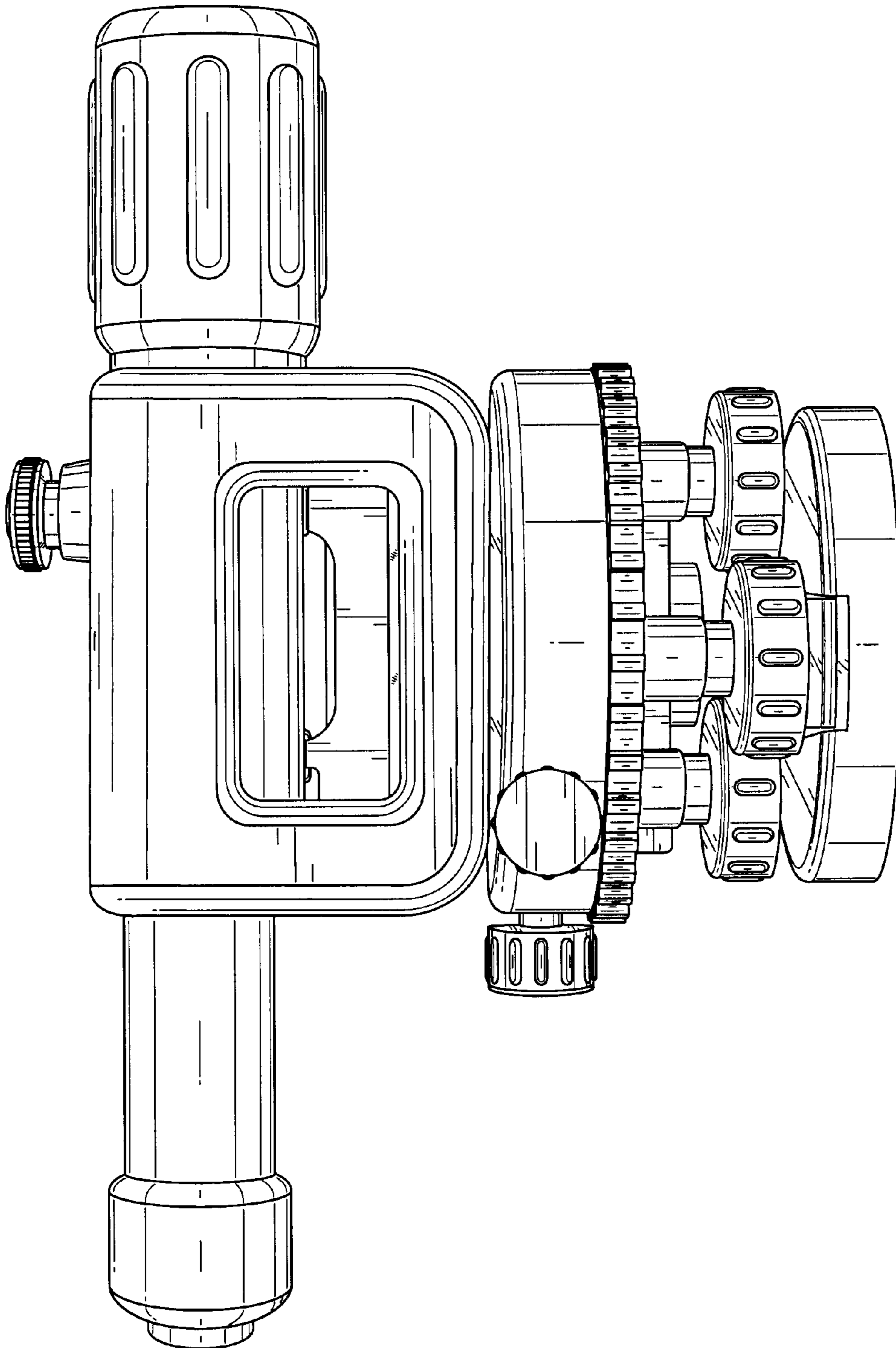


FIG. 2

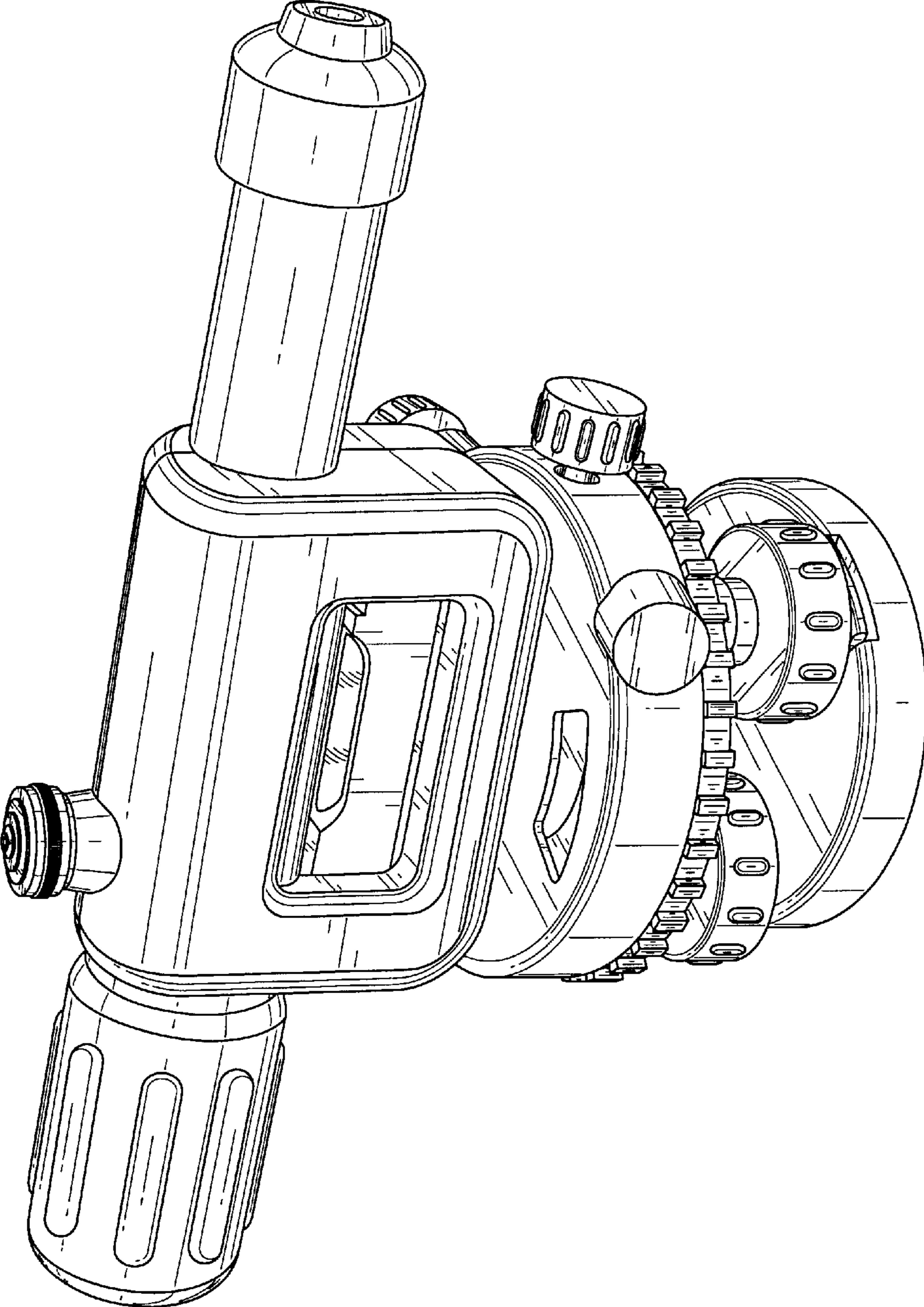


FIG. 3

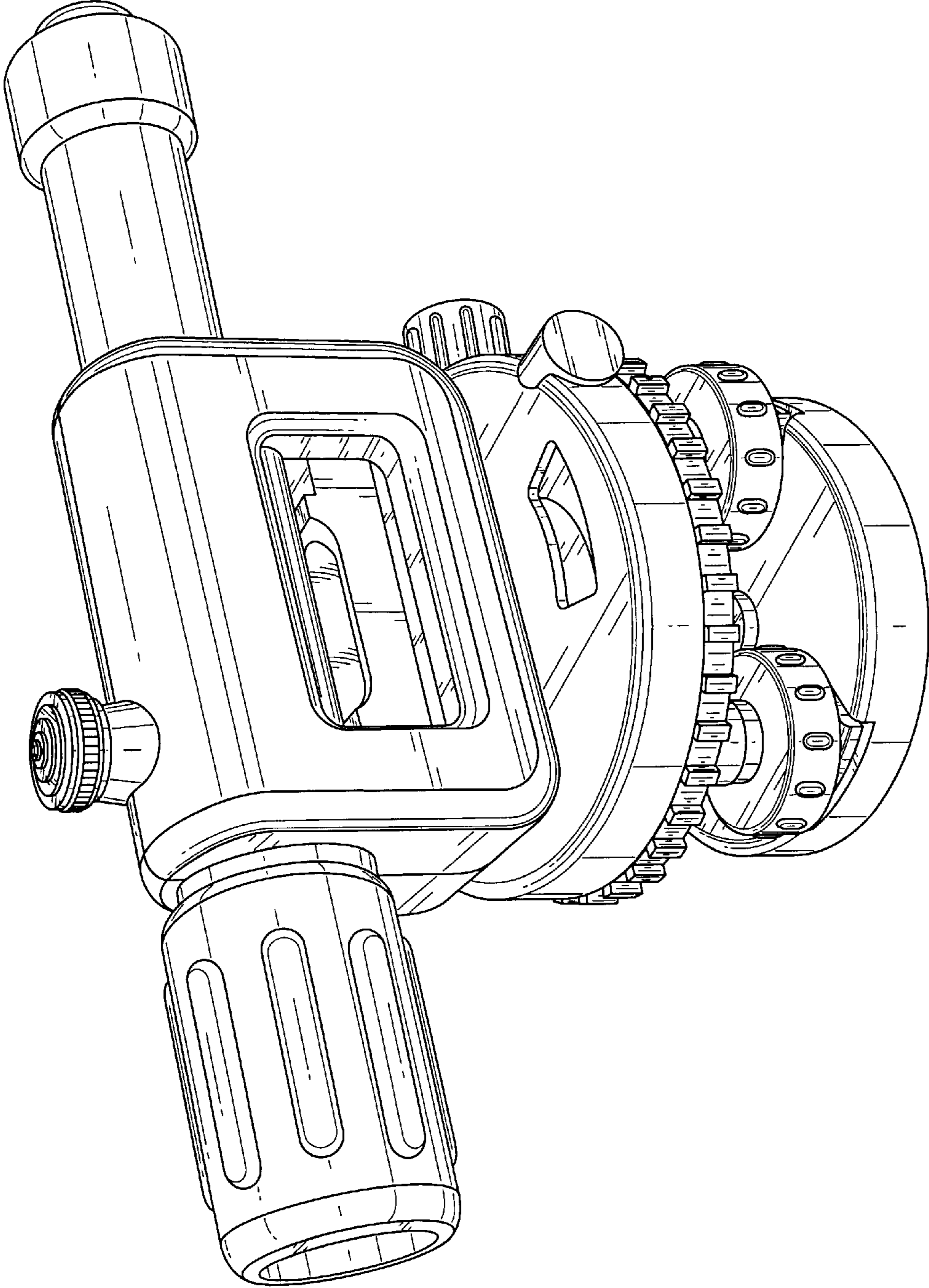


FIG. 4

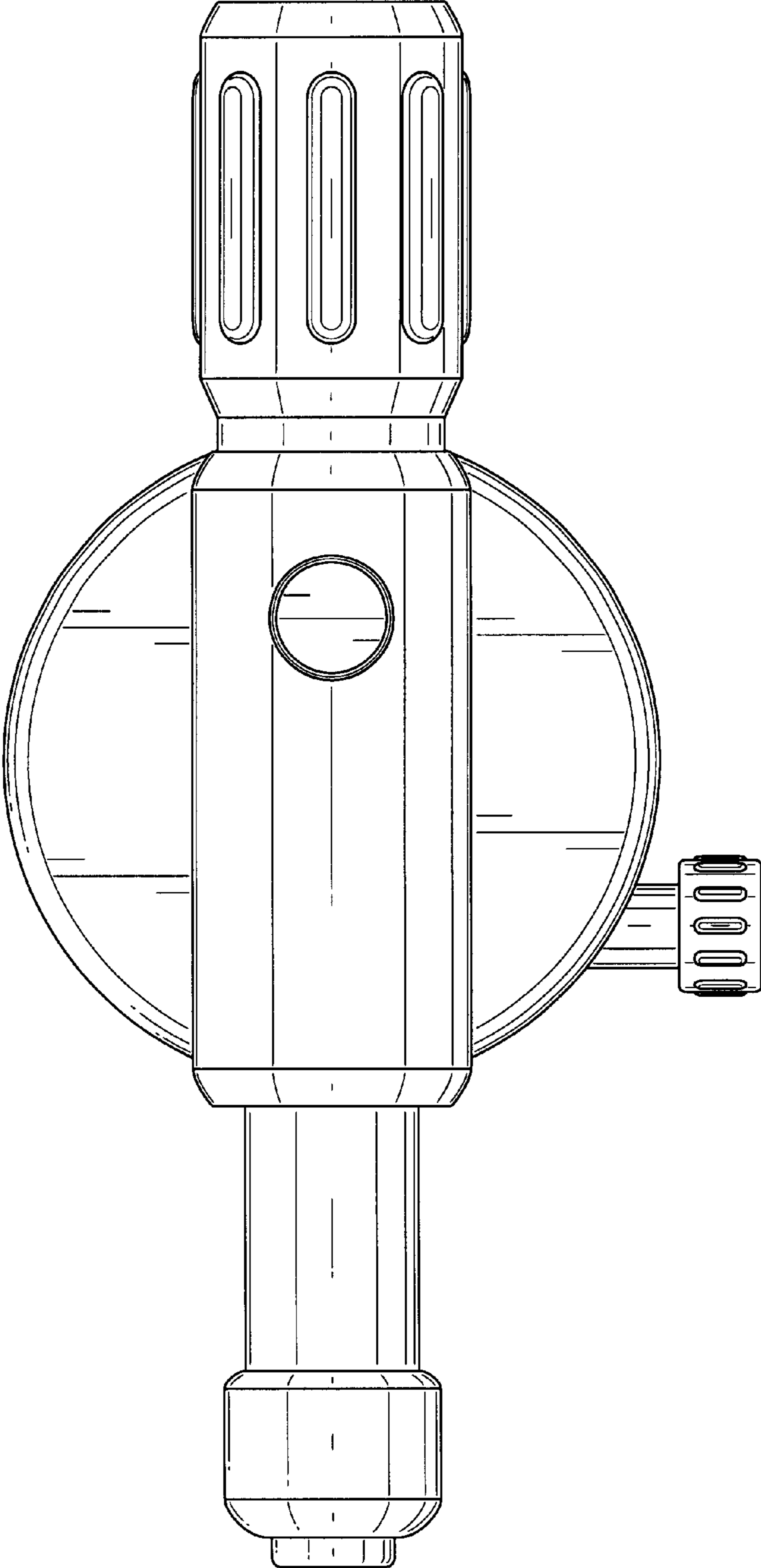


FIG. 5

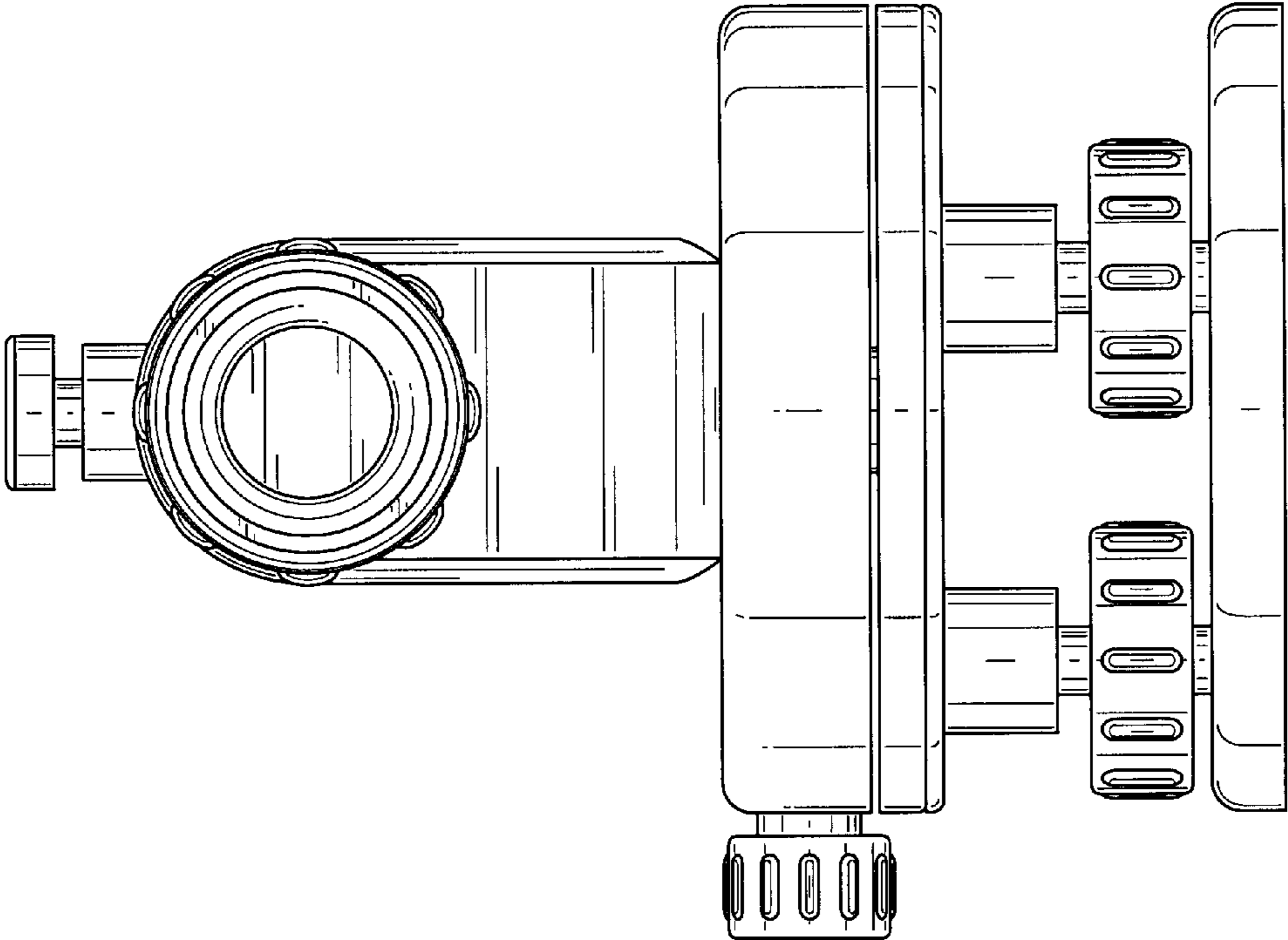


FIG. 6

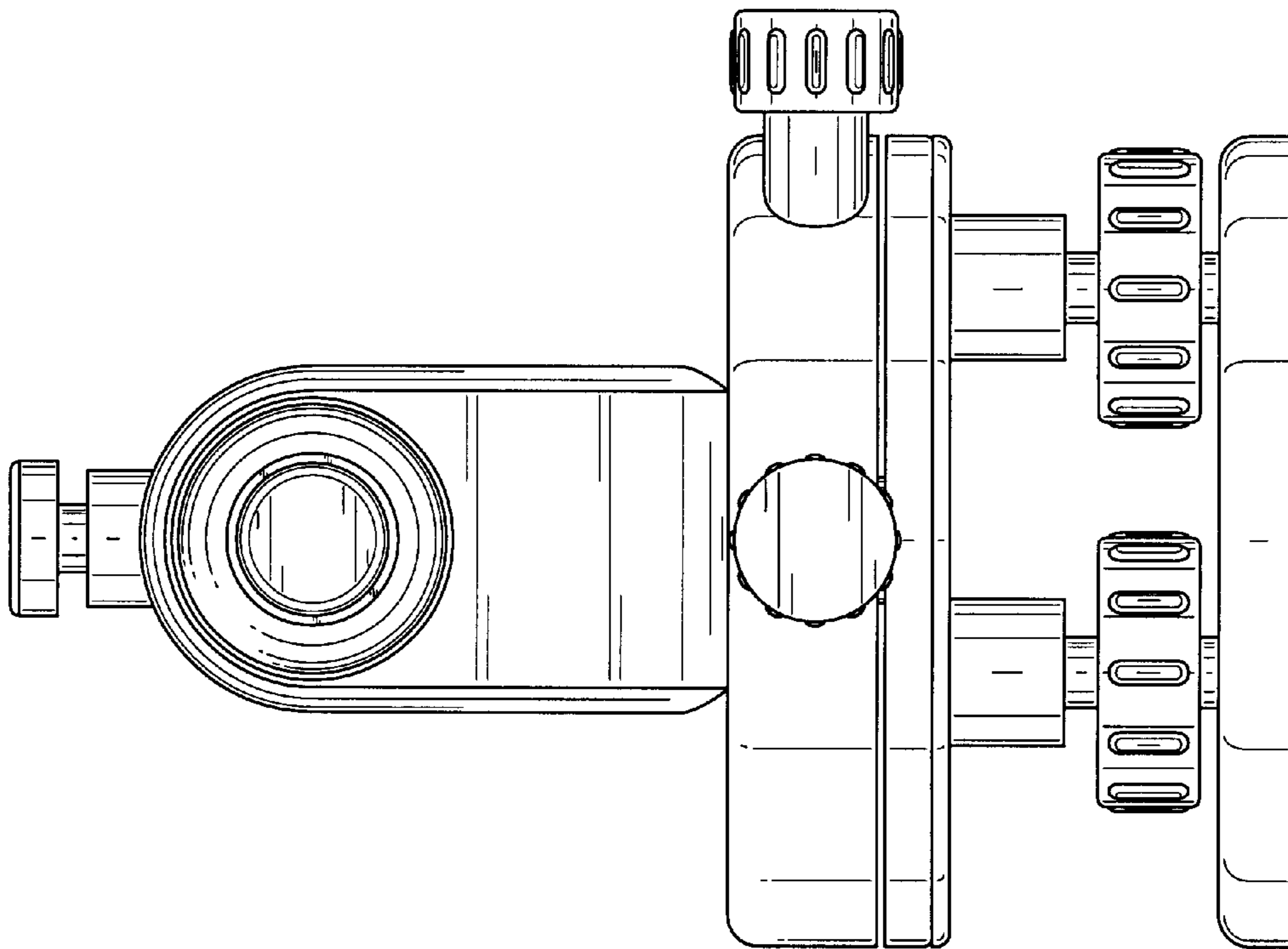


FIG. 7