



US00D510528S

(12) **United States Design Patent**
Funk

(10) **Patent No.:** **US D510,528 S**

(45) **Date of Patent:** **** Oct. 11, 2005**

(54) **MULTI-CELL CARTON**

(75) **Inventor:** **David J. Funk**, Nortonville, KS (US)

(73) **Assignee:** **Lawrence Paper Company**, Lawrence, KS (US)

(**) **Term:** **14 Years**

(21) **Appl. No.:** **29/208,072**

(22) **Filed:** **Jun. 22, 2004**

(51) **LOC (8) Cl.** **09-03**

(52) **U.S. Cl.** **D9/737**

(58) **Field of Search** D9/737, 756, 420,
D9/423, 431-433, 414, 416, 759; 229/221,
100, 120, 152, 120.02, 486

(56) **References Cited**

U.S. PATENT DOCUMENTS

407,494 A	*	7/1889	Schwartz	229/152
4,394,905 A	*	7/1983	Hackenberg	206/486
D287,464 S	*	12/1986	Mode	D9/759
D314,512 S	*	2/1991	Mazzarisi et al.	D9/414
D351,104 S	*	10/1994	Kapp	D9/423
D373,723 S	*	9/1996	Healey	D9/759
D432,912 S	*	10/2000	Lubineau-Bigot et al.	...	D9/416

D433,630 S	*	11/2000	Lubineau-Bigot et al.	...	D9/416
D439,157 S	*	3/2001	Tsuruishi et al.	D9/759
D494,467 S	*	8/2004	Ohno	D9/433

* cited by examiner

Primary Examiner—Stella M. Reid

Assistant Examiner—Mark A. Goodwin

(74) *Attorney, Agent, or Firm*—Hovey Williams LLP

(57) **CLAIM**

The ornamental design for a multi-cell carton, as shown and described.

DESCRIPTION

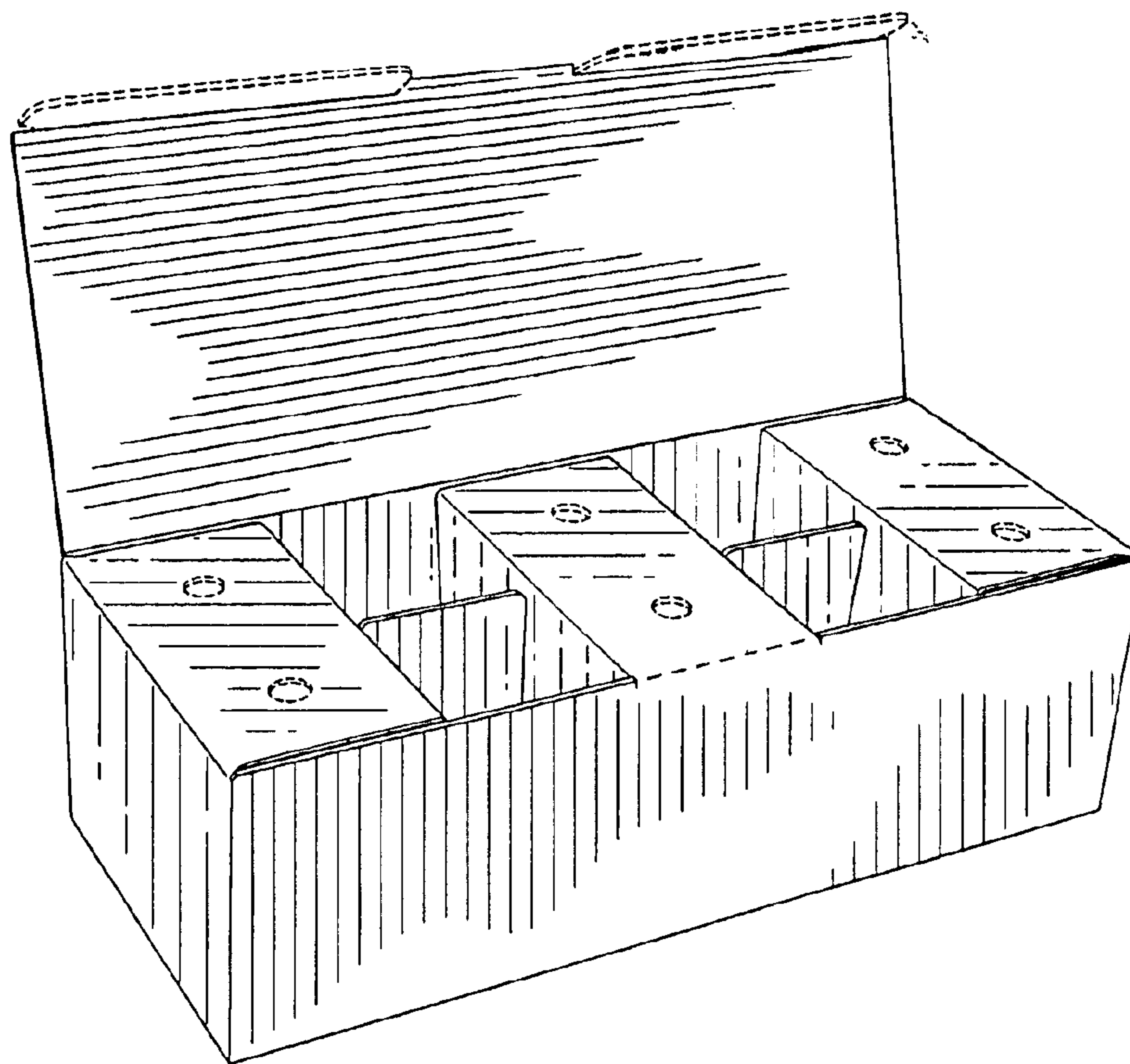
FIG. 1 is a perspective view of the multi-cell carton in a closed condition and viewing the top, front and one sidewall thereof;

FIG. 2 is a perspective view of the multi-cell carton viewing the bottom and rear walls thereof, as well as the sidewall opposite that shown in FIG. 1; and,

FIG. 3 is a perspective view of the multi-cell carton in an opened condition.

The broken line showing in FIGS. 1-3 is for illustrative purposes only and forms no part of the claimed design.

1 Claim, 2 Drawing Sheets



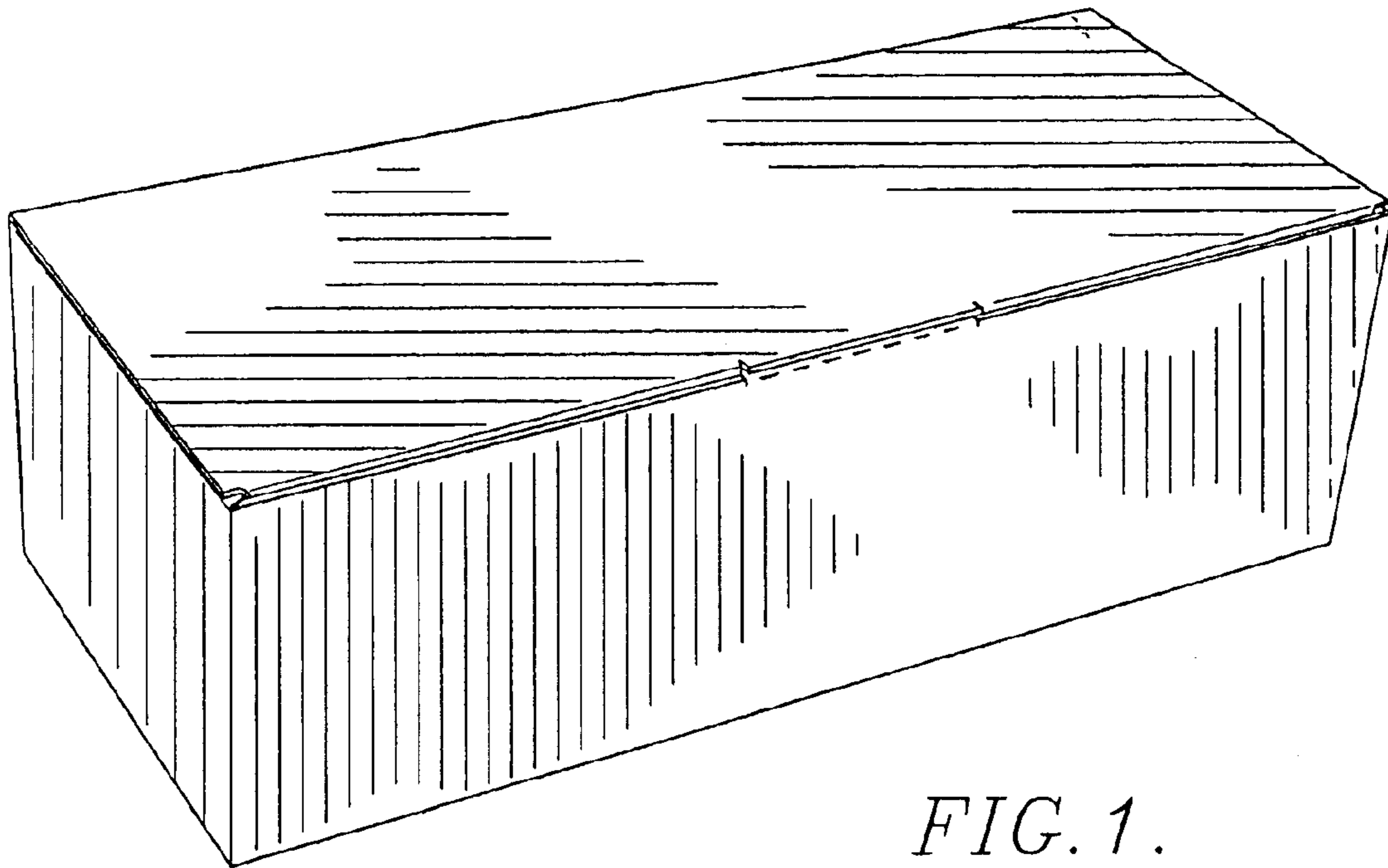


FIG. 1.

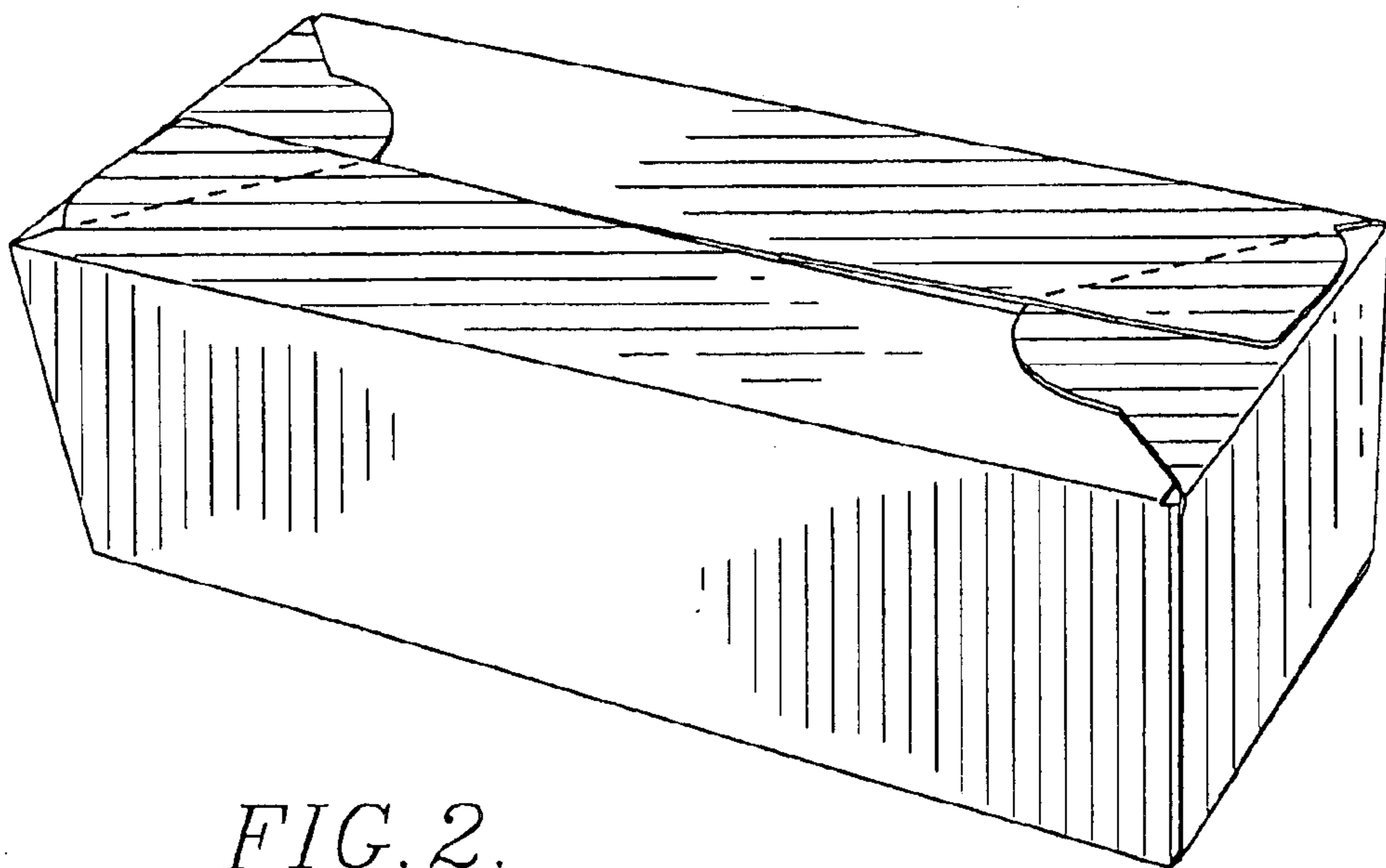


FIG. 2.

