



US00D510524S

(12) **United States Design Patent**  
**Houk et al.**

(10) **Patent No.: US D510,524 S**

(45) **Date of Patent: \*\* Oct. 11, 2005**

(54) **CHEWING TOBACCO CAN**

(75) Inventors: **George B. Houk**, Murfreesboro, TN  
(US); **Gregory A. Pace**, Nunnally, TN  
(US)

(73) Assignee: **U.S. Smokeless Tobacco Company**,  
Greenwich, CT (US)

(\*\*) Term: **14 Years**

(21) Appl. No.: **29/166,218**

(22) Filed: **Aug. 23, 2002**

(51) **LOC (8) Cl. .... 09-02**

(52) **U.S. Cl. .... D9/503; D9/558; D9/529**

(58) **Field of Search .... D9/503, 339, 414,**  
D9/428, 500, 516, 549, 558, 574-575;  
D27/185-186, 189, 191; 206/242; 215/317;  
220/212, 352, 366, 377, 695

5,246,133 A \* 9/1993 James ..... 220/377

5,377,860 A 1/1995 Littlejohn et al.

5,427,266 A 6/1995 Yun

5,632,971 A 5/1997 Yang

5,660,303 A 8/1997 Hirose

5,752,599 A 5/1998 Veltman

5,769,267 A 6/1998 Duynslager et al.

5,791,473 A 8/1998 Decker et al.

5,794,814 A 8/1998 Baerenwald

5,806,710 A 9/1998 Shiffer et al.

D400,787 S 11/1998 Keener

5,833,088 A 11/1998 Kladders et al.

5,894,952 A 4/1999 Mendenhall et al.

5,894,953 A 4/1999 Ramirez

5,960,985 A 10/1999 Barrett

6,015,061 A 1/2000 Lowry

6,119,890 A 9/2000 Kawamata

D431,458 S 10/2000 Bried et al.

6,158,607 A 12/2000 Wallberg

6,164,484 A 12/2000 Fiore et al.

D476,233 S 6/2003 Versace

\* cited by examiner

(56) **References Cited**  
U.S. PATENT DOCUMENTS

216,831 A 6/1879 Collings

411,773 A 10/1889 Atkinson

D28,413 S 3/1898 Taite

660,739 A \* 10/1900 Taylor ..... 40/307

663,415 A 12/1900 Charles

1,214,899 A 2/1917 Curran

1,975,703 A \* 10/1934 Vitale ..... 220/602

2,047,951 A \* 7/1936 Eberhart ..... 220/377

2,493,086 A 1/1950 Reifsnnyder

2,789,607 A 4/1957 Tupper

D184,789 S 3/1959 Zehntner et al.

2,878,848 A 3/1959 Coltman Jr.

3,122,990 A \* 3/1964 Fried ..... 99/369

3,206,016 A 9/1965 Fowle et al.

4,098,421 A \* 7/1978 Foster ..... 215/321

4,124,135 A 11/1978 Weder et al.

4,190,170 A 2/1980 Boyd

D273,766 S 5/1984 Lampe

D281,764 S 12/1985 Legrottaglie

4,646,933 A 3/1987 Jurczenia et al.

D291,971 S \* 9/1987 Smith ..... D9/447

4,765,501 A 8/1988 Kao

D303,584 S 9/1989 Bakic

4,866,952 A 9/1989 Hight et al.

*Primary Examiner*—Prabhakar Deshmukh  
*Assistant Examiner*—Daniel Bui

(74) *Attorney, Agent, or Firm*—Fitch, Even, Tabin &  
Flannery

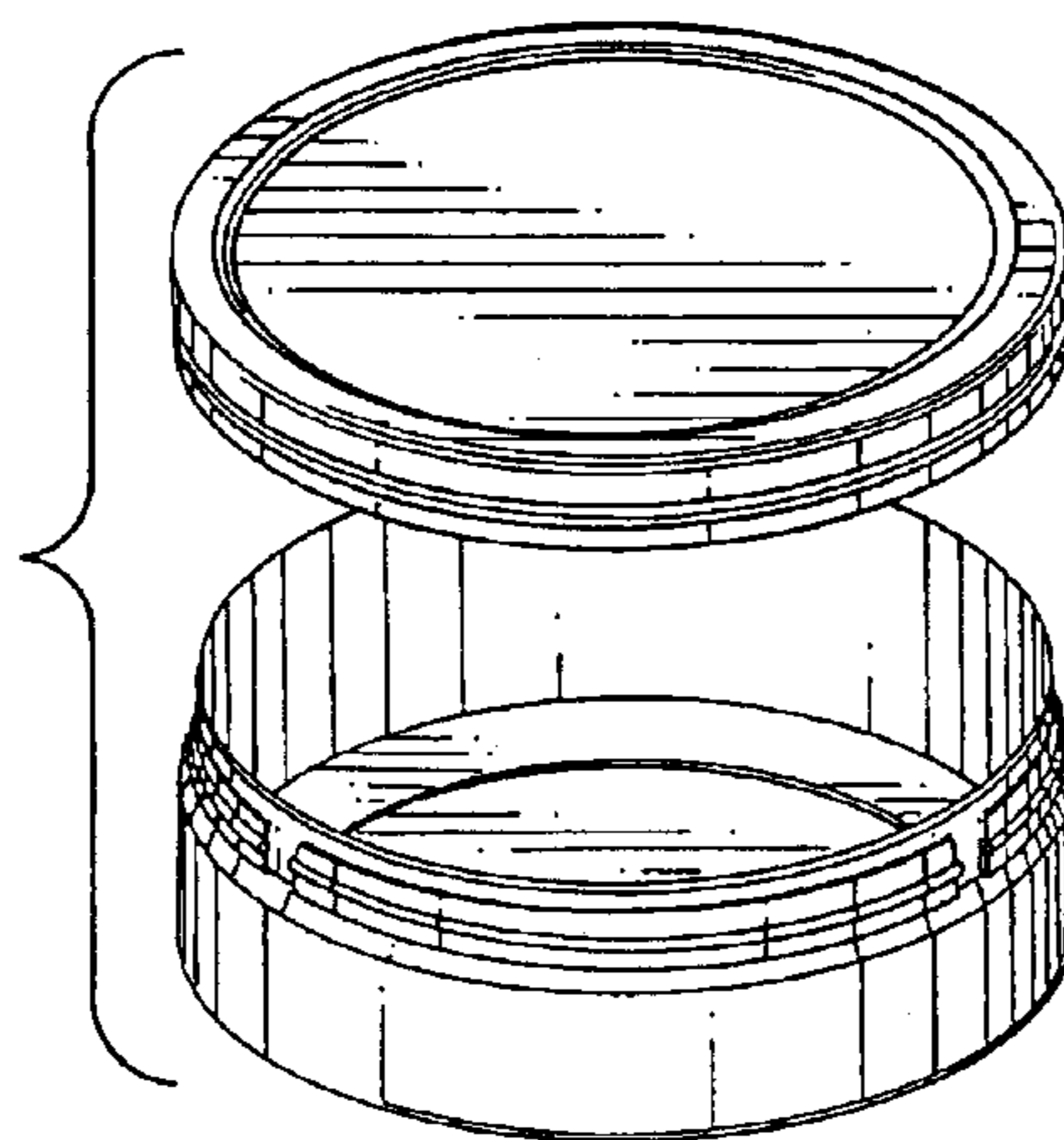
(57) **CLAIM**

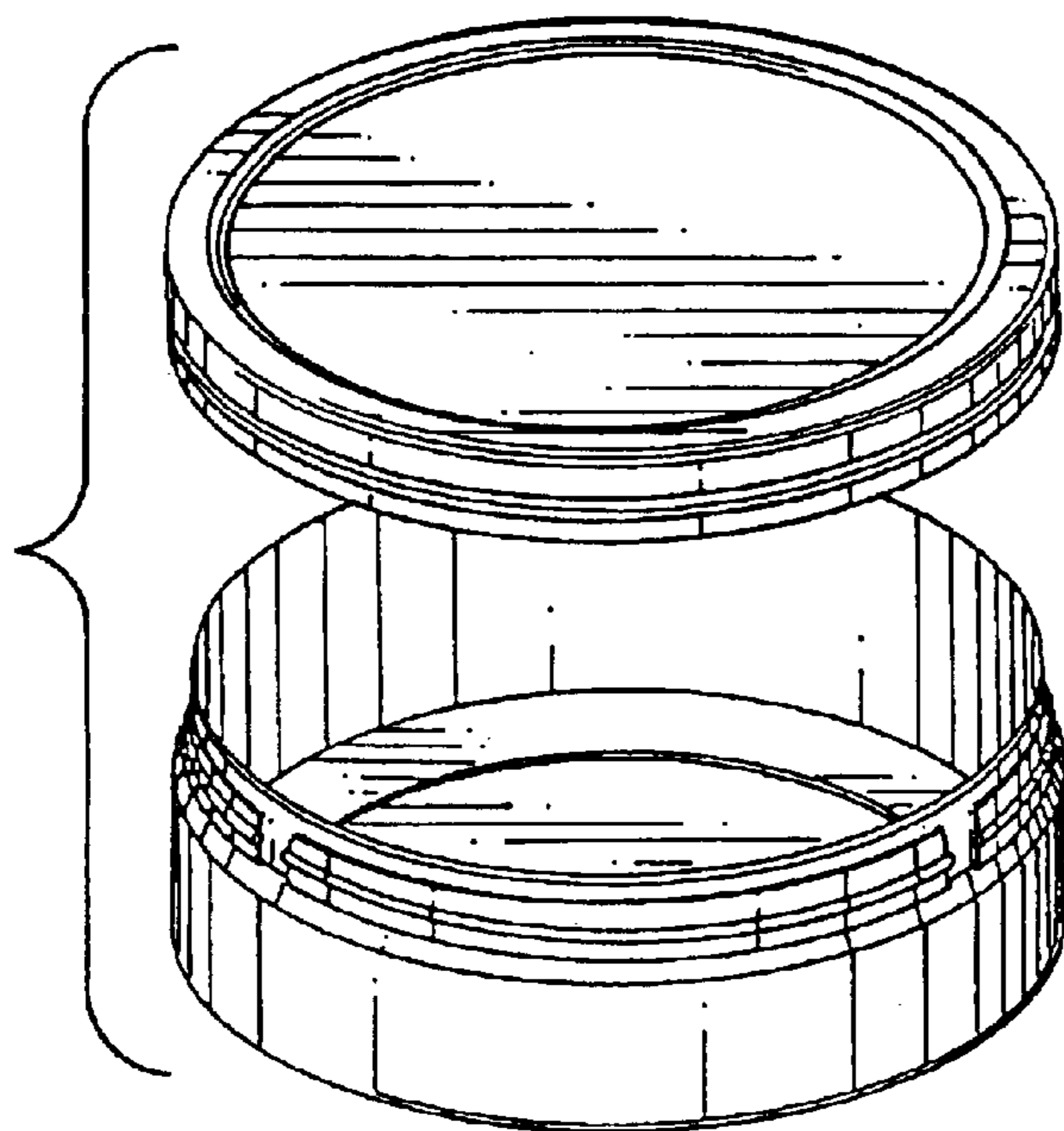
I claim the ornamental design for a chewing tobacco can, as shown and described.

**DESCRIPTION**

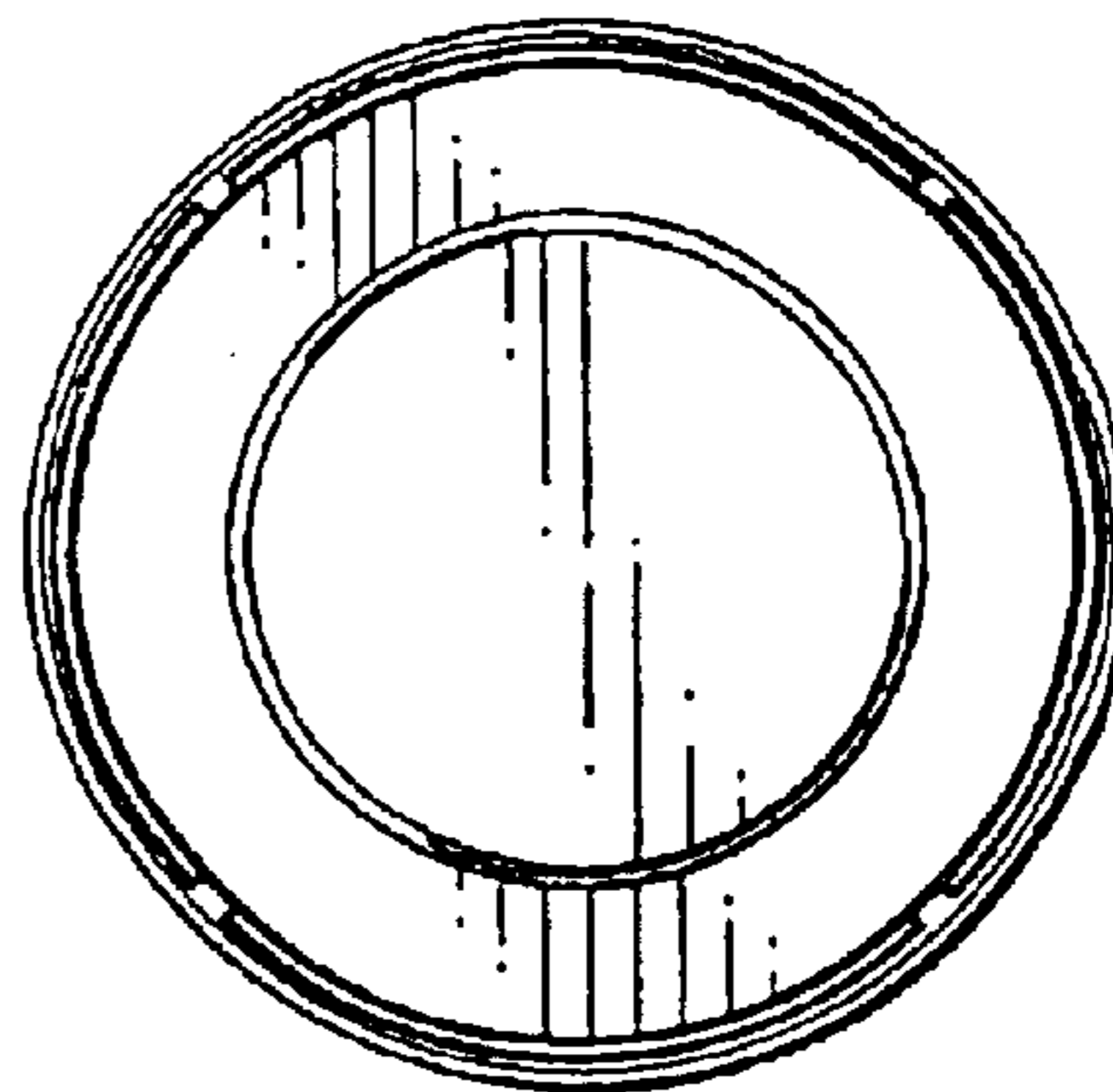
FIG. 1 is an exploded perspective view of the tobacco can according to my new design;  
FIG. 2 is a top plane view of the tobacco can of FIG. 1 on a reduced scale with the lid removed;  
FIG. 3 is a top plane view of the tobacco can of FIG. 1 on a reduced scale with the lid on the can;  
FIG. 4 is a side elevation view of the tobacco can of FIG. 1 on a reduced scale;  
FIG. 5 is a bottom plan view of the tobacco can of FIG. 1 on a reduced scale; and,  
FIG. 6 is an enlarged cross-sectional view of the tobacco can of FIG. 1 along a line 6 of FIG. 5.

**1 Claim, 1 Drawing Sheet**

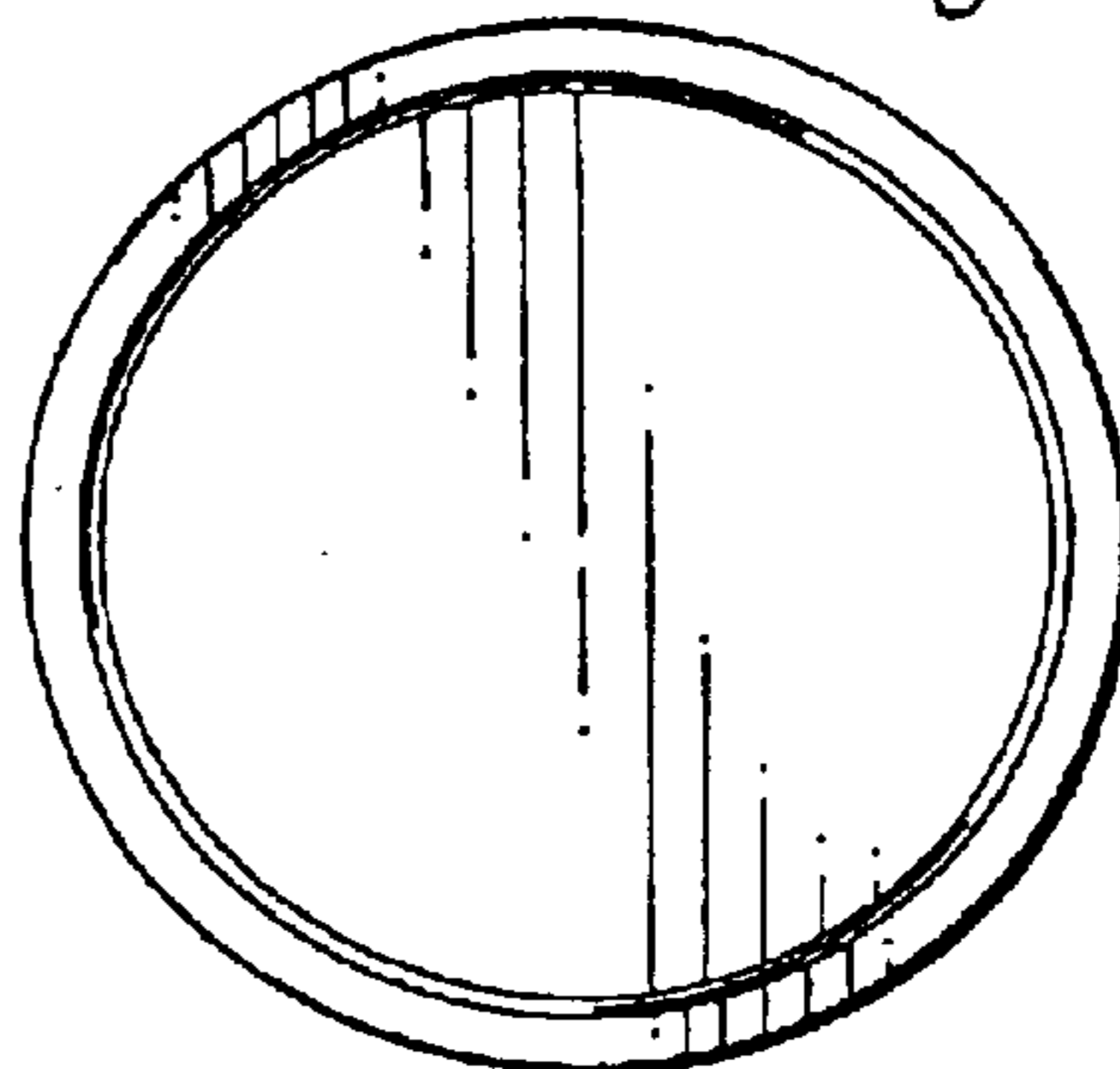




*Fig. 1*

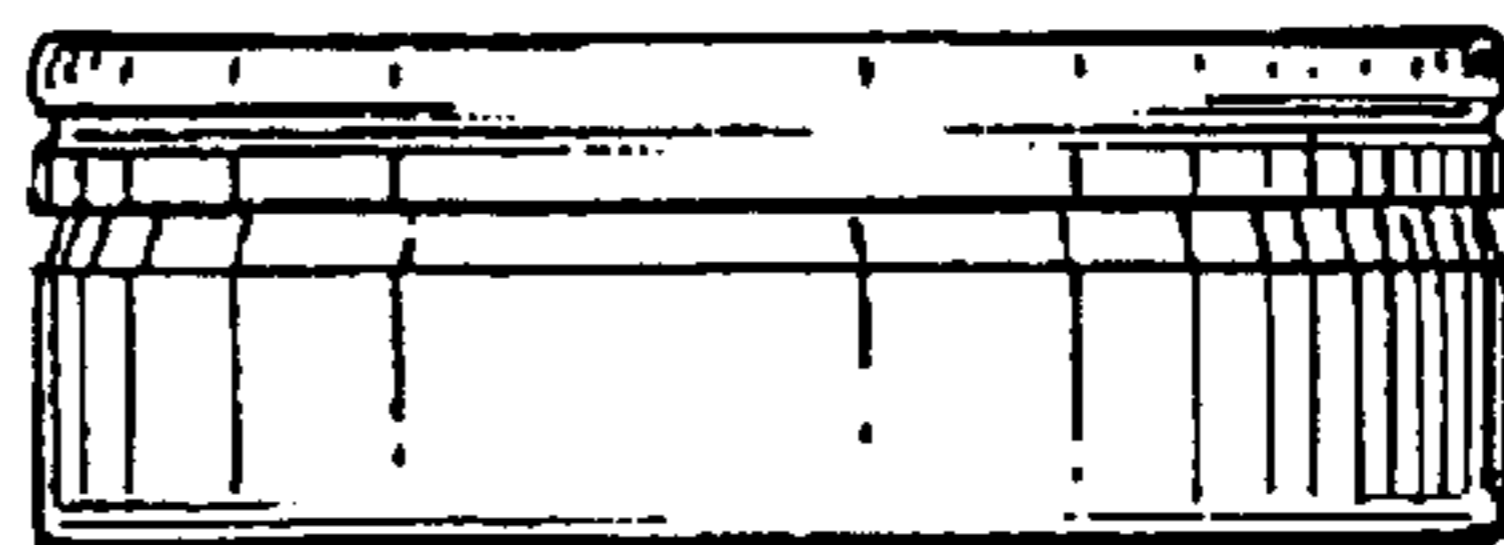
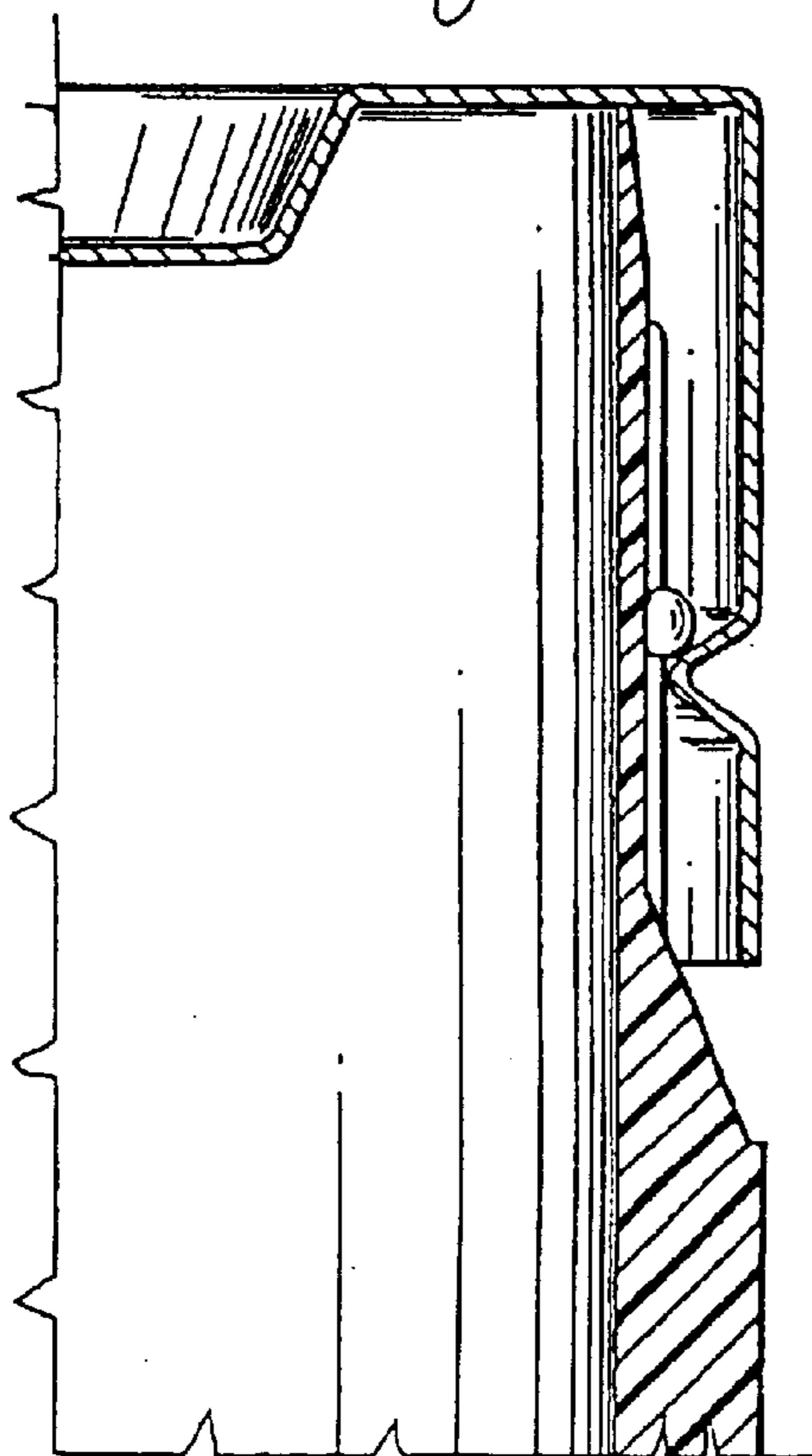


*Fig. 2*

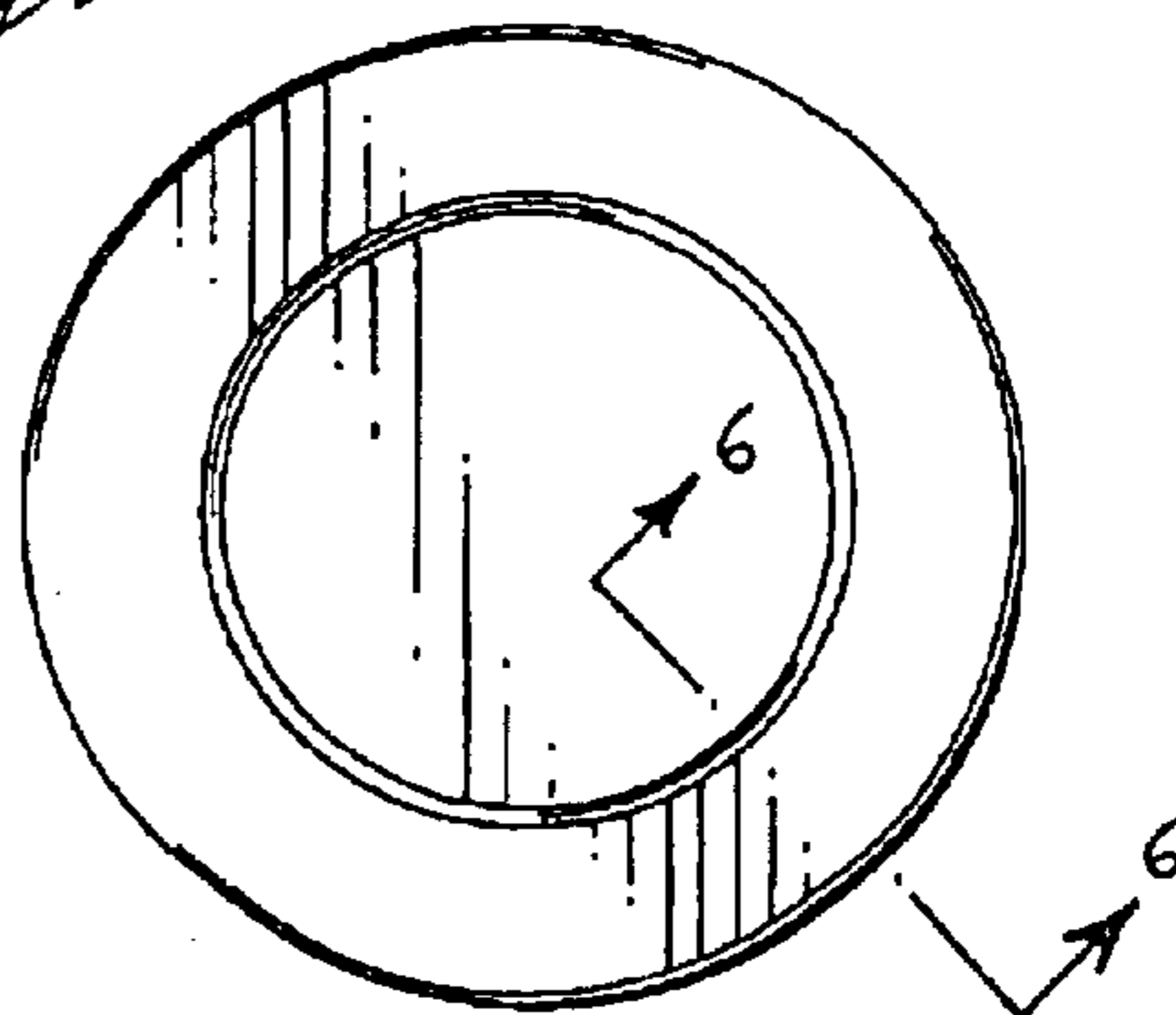


*Fig. 3*

*Fig. 6*



*Fig. 4*



*Fig. 5*