



US00D510521S

(12) **United States Design Patent** (10) **Patent No.:** **US D510,521 S**
Lebras (45) **Date of Patent:** **** Oct. 11, 2005**

(54) **CARTON END**

(75) **Inventor:** **Philippe Lebras, Chateauroux (FR)**

(73) **Assignee:** **MeadWestvaco Packaging Systems, LLC, Stamford, CT (US)**

(**) **Term:** **14 Years**

(21) **Appl. No.:** **29/176,928**

(22) **Filed:** **Feb. 28, 2003**

(51) **LOC (8) Cl.** **09-07**

(52) **U.S. Cl.** **D9/434**

(58) **Field of Search** D9/434, 433, 432;
220/528; 229/117.16, 117.9, 117.17, 103,
103.3, 116.1, 5.5, 906, 122

(56) **References Cited**

U.S. PATENT DOCUMENTS

2,116,431 A	5/1938	Gullo et al.	
2,567,832 A	9/1951	Vadner	
2,597,848 A	5/1952	Reeser	
2,703,197 A	3/1955	Brasch	
3,442,435 A	5/1969	Ludder et al.	
3,495,704 A	2/1970	Richards et al.	
3,863,759 A	2/1975	Prodel	
4,082,214 A	4/1978	Baker	
4,126,261 A	11/1978	Cook	
4,126,266 A	11/1978	Roccaforte	
4,471,870 A	* 9/1984	Uhlig	229/117.16
4,817,861 A	* 4/1989	Henrikson	229/122
4,967,901 A	11/1990	Wood	
5,350,109 A	* 9/1994	Brown et al.	229/117.16
5,555,982 A	9/1996	Kuhn et al.	
5,657,872 A	8/1997	Leftwich et al.	
D384,885 S	* 10/1997	Halsell, II	D9/432

5,934,501 A	8/1999	Wright et al.	
6,168,073 B1	* 1/2001	Towle	229/122
6,234,385 B1	* 5/2001	Espinoza et al.	229/122
6,676,013 B2	* 1/2004	Auclair	229/122
2002/0134824 A1	* 9/2002	Mills	229/122

FOREIGN PATENT DOCUMENTS

EP	0 217 148 A2	4/1987
EP	0 428 391 A1	5/1991
GB	858214	1/1961
GB	1 527 253	10/1978

* cited by examiner

Primary Examiner—Robert M. Spear
Assistant Examiner—Susan Bennett-Hattan
(74) *Attorney, Agent, or Firm*—Tsugihiko Suzuki

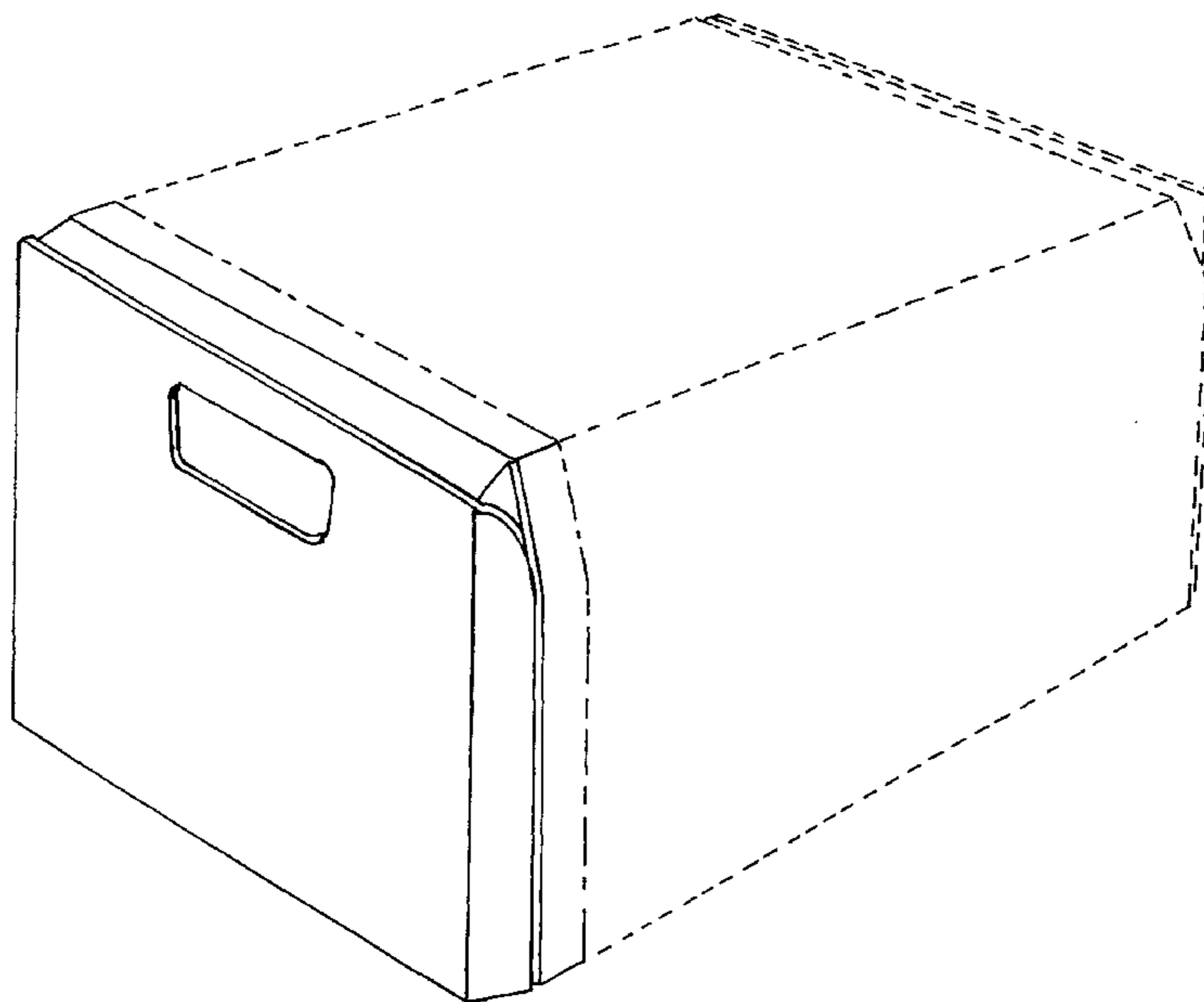
(57) **CLAIM**

The ornamental design for a carton end, as shown and described.

DESCRIPTION

FIG. 1 is an isometric view of a carton end, showing my new design;
FIG. 2 is a front elevation thereof;
FIG. 3 is a top plan view thereof;
FIG. 4 is a right side elevation thereof; the left side elevation being a mirror image thereof; and,
FIG. 5 is a bottom plan view thereof.
The dash-dot-dash broken lines shown behind the front portion of the carton end represent the boundary of the claimed design. The remaining broken line showing of the carton is for illustrative purposes only and forms no part of the claimed design.

1 Claim, 3 Drawing Sheets



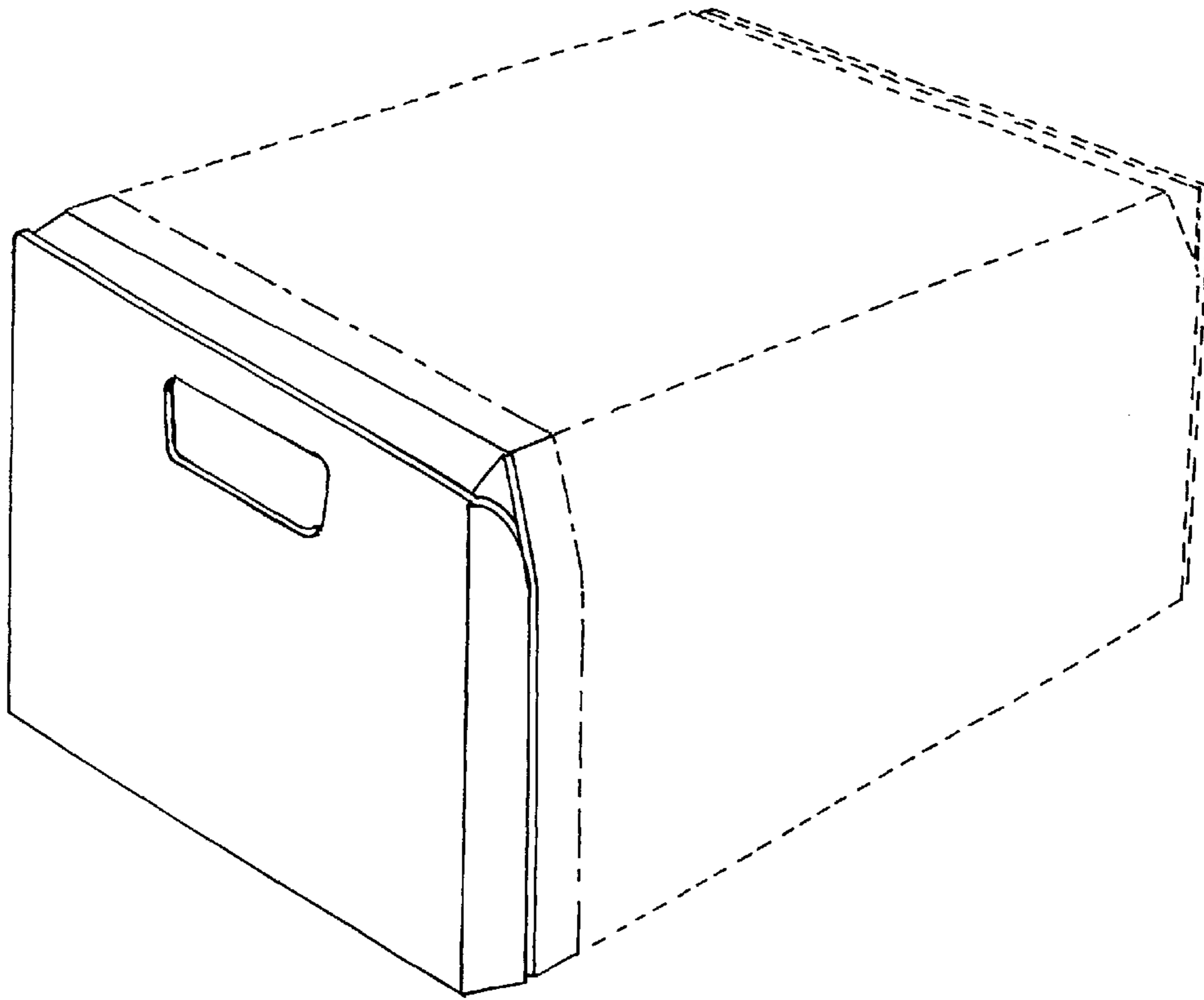


FIG. 1

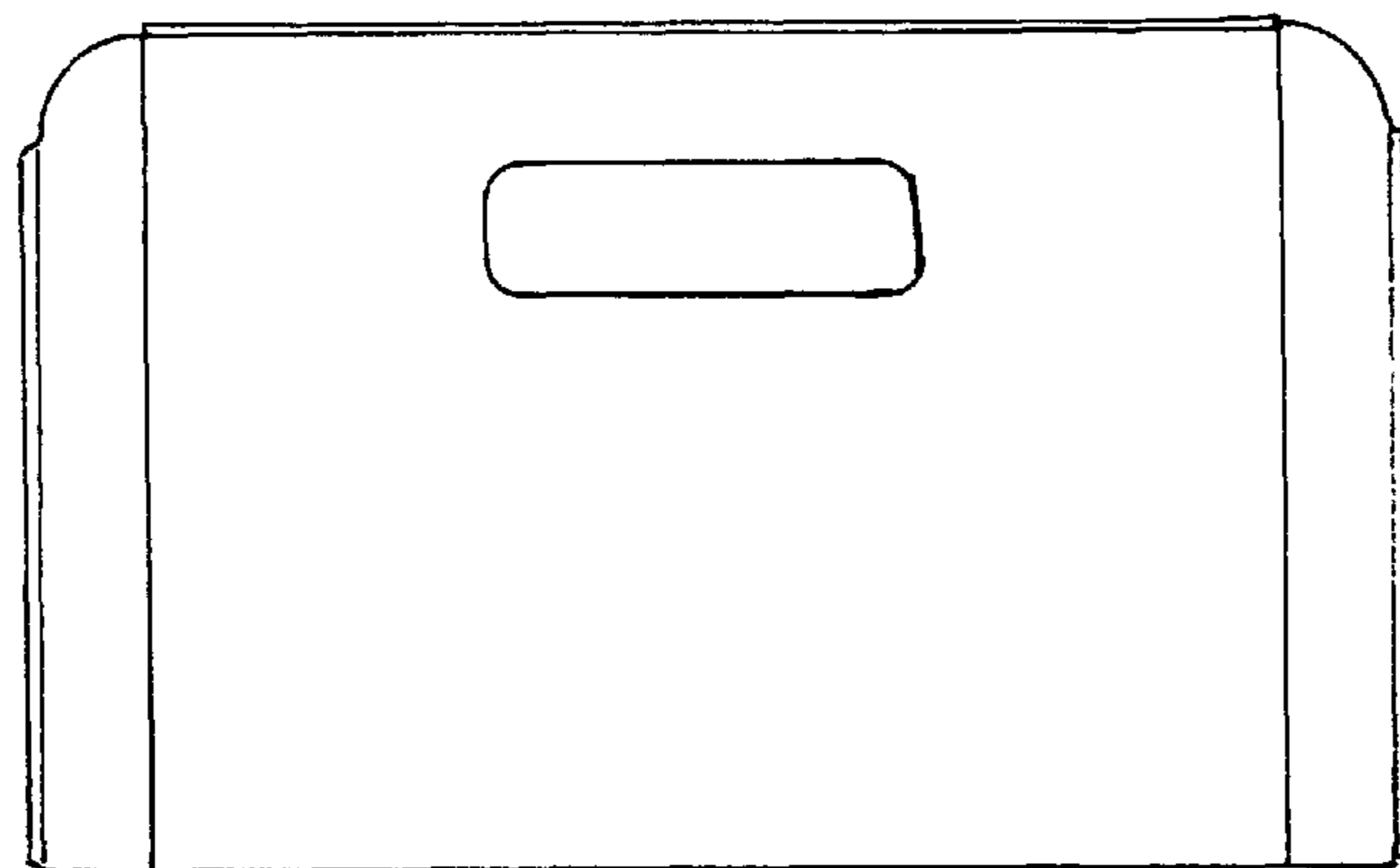


FIG. 2

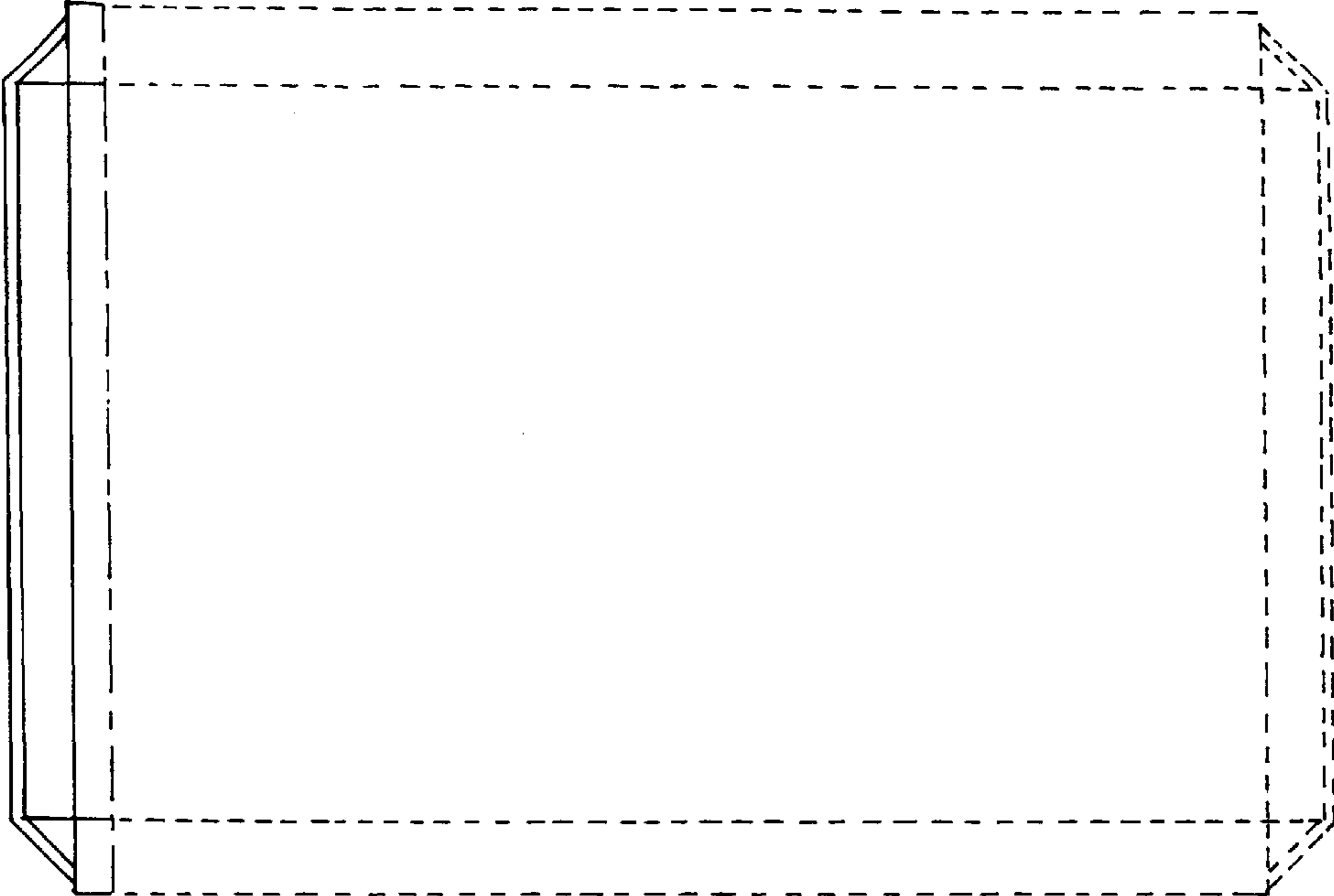


FIG. 3



FIG. 4



FIG. 5