



US00D510509S

(12) **United States Design Patent**
Graves et al.

(10) **Patent No.: US D510,509 S**

(45) **Date of Patent: ** Oct. 11, 2005**

(54) **GRATER ASSEMBLY**

(76) Inventors: **Michael Graves**, 44 Patton Ave.,
Princeton, NJ (US) 08540; **Donald Strum**, 16 Harrison St., Princeton, NJ
(US) 08540; **Eric Bogner**, 250 Cabrini
Blvd., #G, New York, NY (US) 10033

(**) Term: **14 Years**

(21) Appl. No.: **29/205,904**

(22) Filed: **May 21, 2004**

(51) **LOC (8) Cl.** **07-04**

(52) **U.S. Cl.** **D7/678**

(58) **Field of Search** D7/678, 629, 602,
D7/538-542; 241/93-95, 100, 168, 273.1-273.4

(56) **References Cited**

U.S. PATENT DOCUMENTS

2,601,087	A	*	6/1952	Buedingen	241/168
2,741,286	A	*	4/1956	Bittle	241/95
3,583,455	A	*	6/1971	Ostrowsky	241/95
3,589,421	A	*	6/1971	Locker	241/95
3,825,049	A	*	7/1974	Swett et al.	241/95

* cited by examiner

Primary Examiner—Terry A. Wallace

(74) *Attorney, Agent, or Firm*—Duane Morris LLP

(57) **CLAIM**

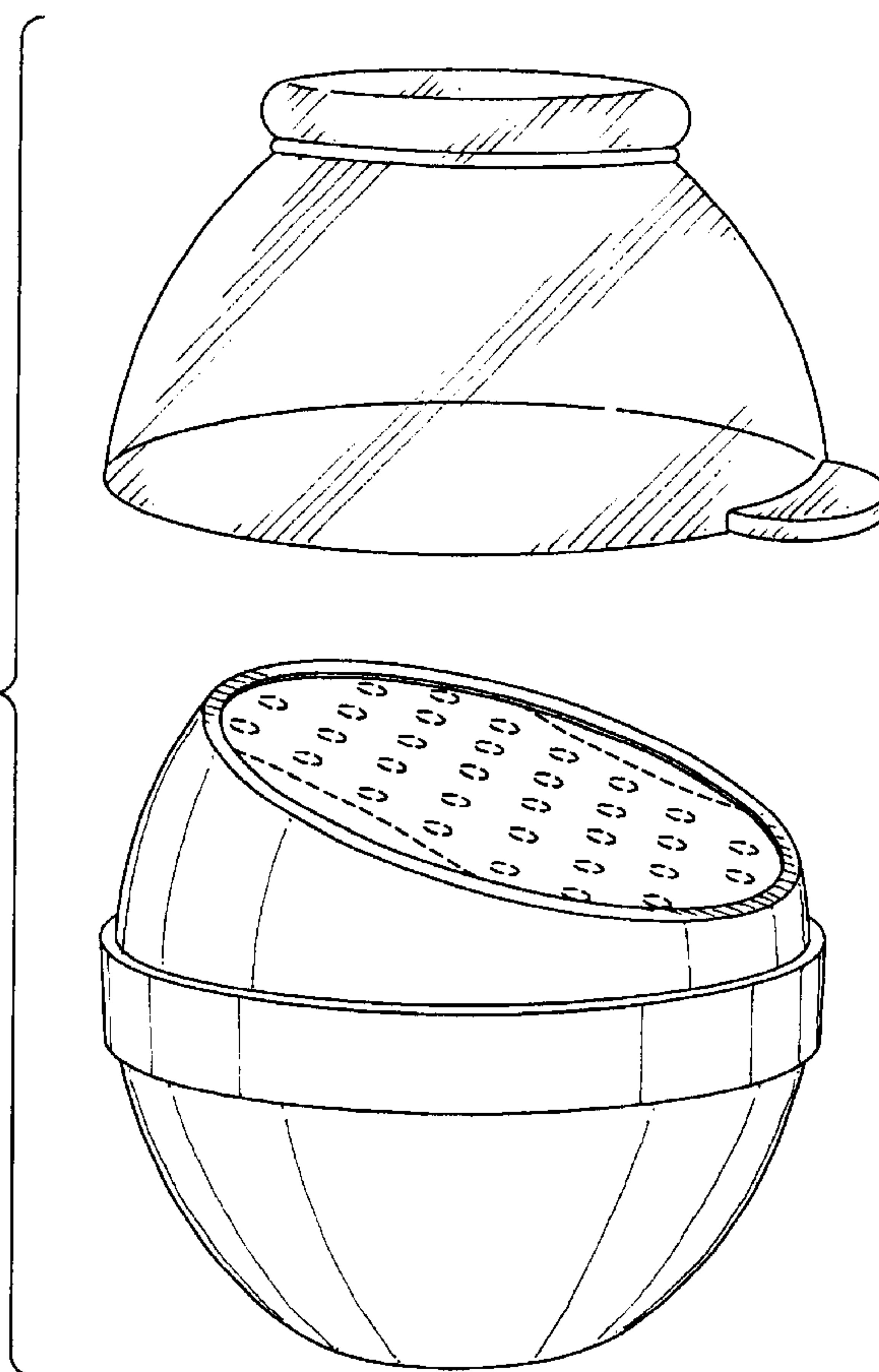
The ornamental design for a grater assembly, as shown and described.

DESCRIPTION

FIG. 1 is an exploded perspective view of a grater assembly formed according to the design of the present invention; FIG. 2 is a perspective view of the grater assembly; FIG. 3 is a right side view of the grater assembly; FIG. 4 is a left side view of the grater assembly; FIG. 5 is a front view of the grater assembly; FIG. 6 is a rear view of the grater assembly; FIG. 7 is a top view of the grater assembly; FIG. 8 is a bottom view of the grater assembly; FIG. 9 is an exploded perspective view of an alternative arrangement of the components of the grate assembly shown in FIGS. 1-8; and, FIG. 10 is a perspective view showing the components illustrated in FIG. 9, as assembled.

The broken line showing of structure is for illustrative purposes only and forms no part of the claimed design.

1 Claim, 7 Drawing Sheets



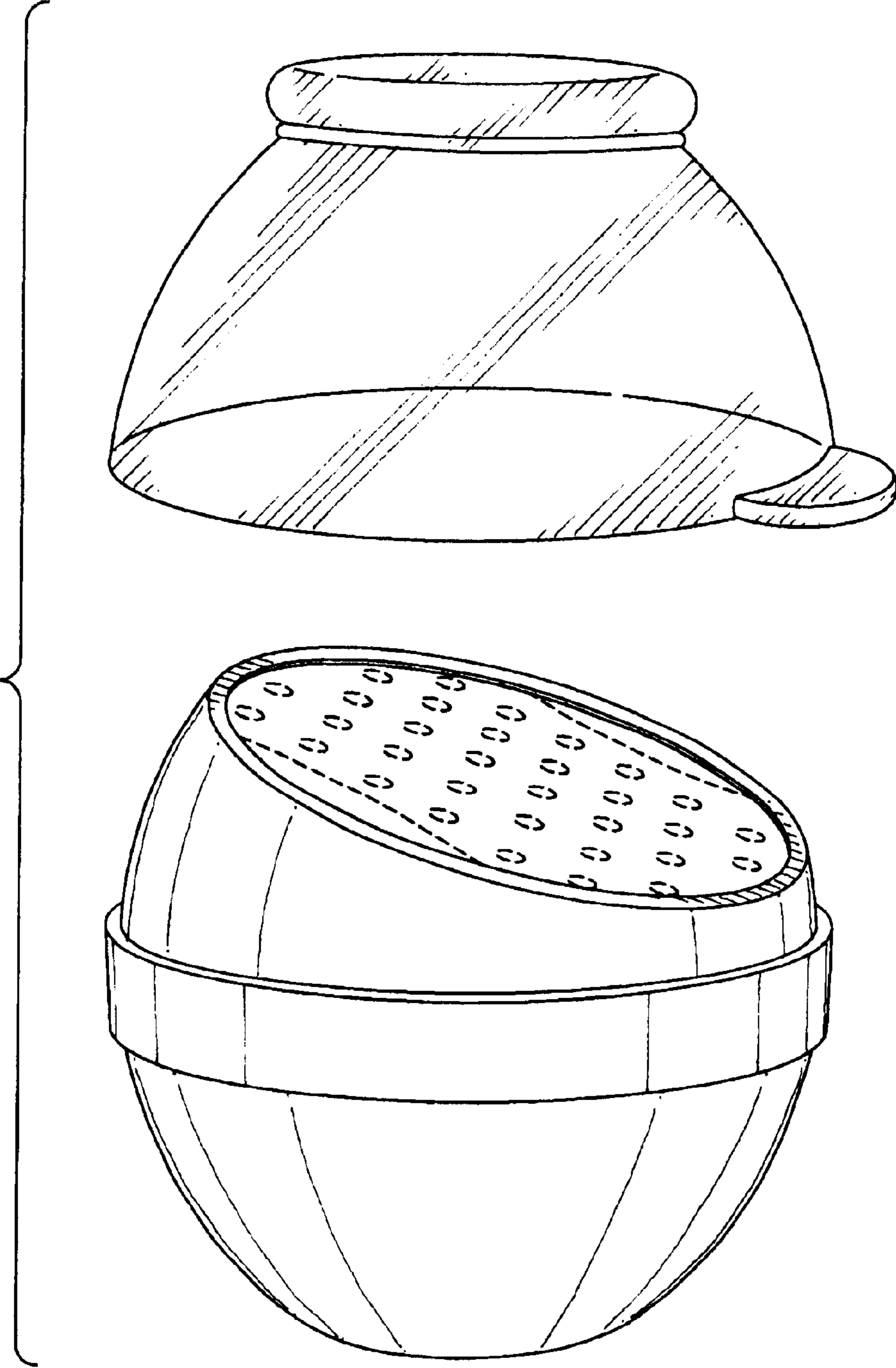


FIG. 1

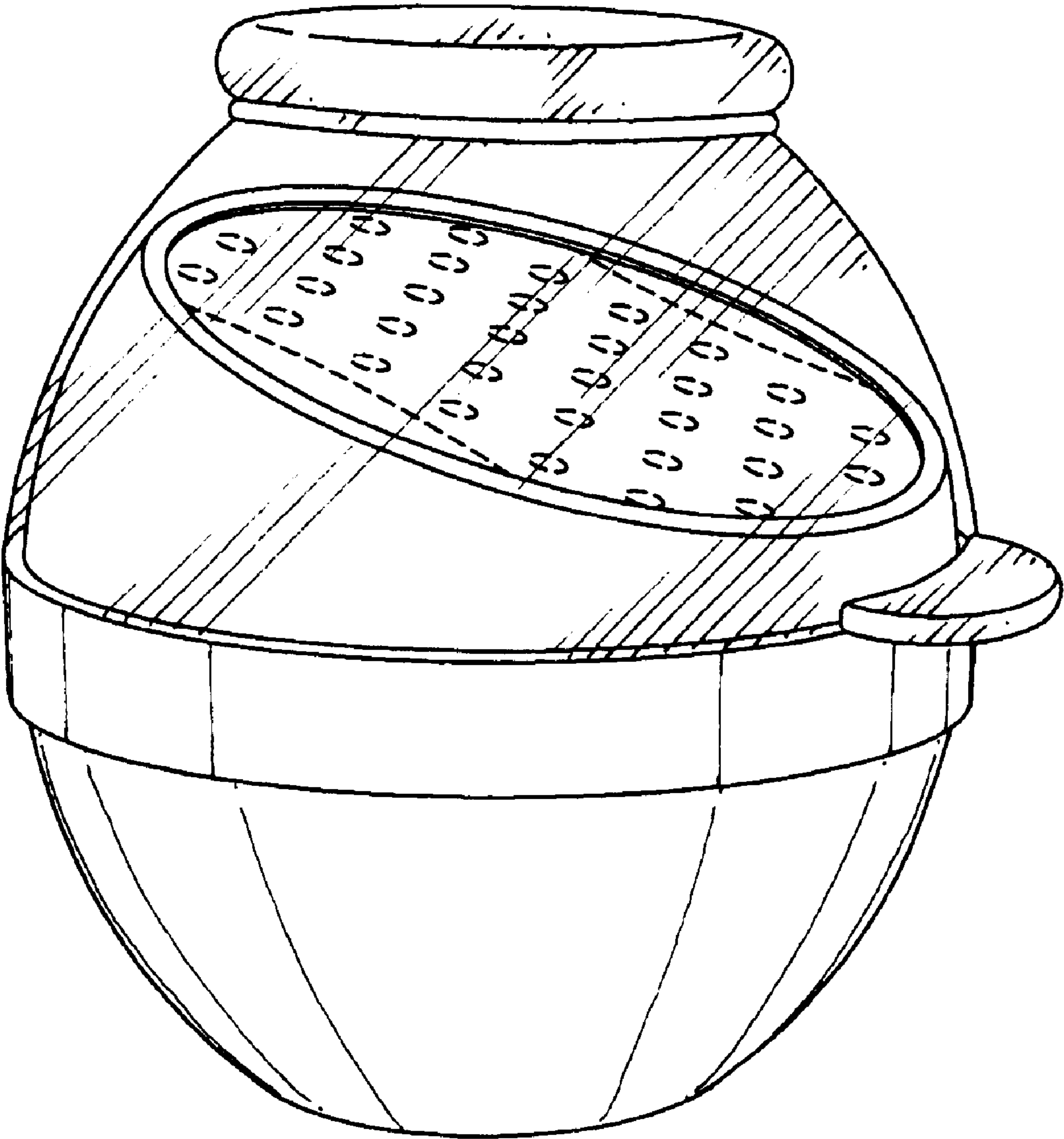


FIG. 2

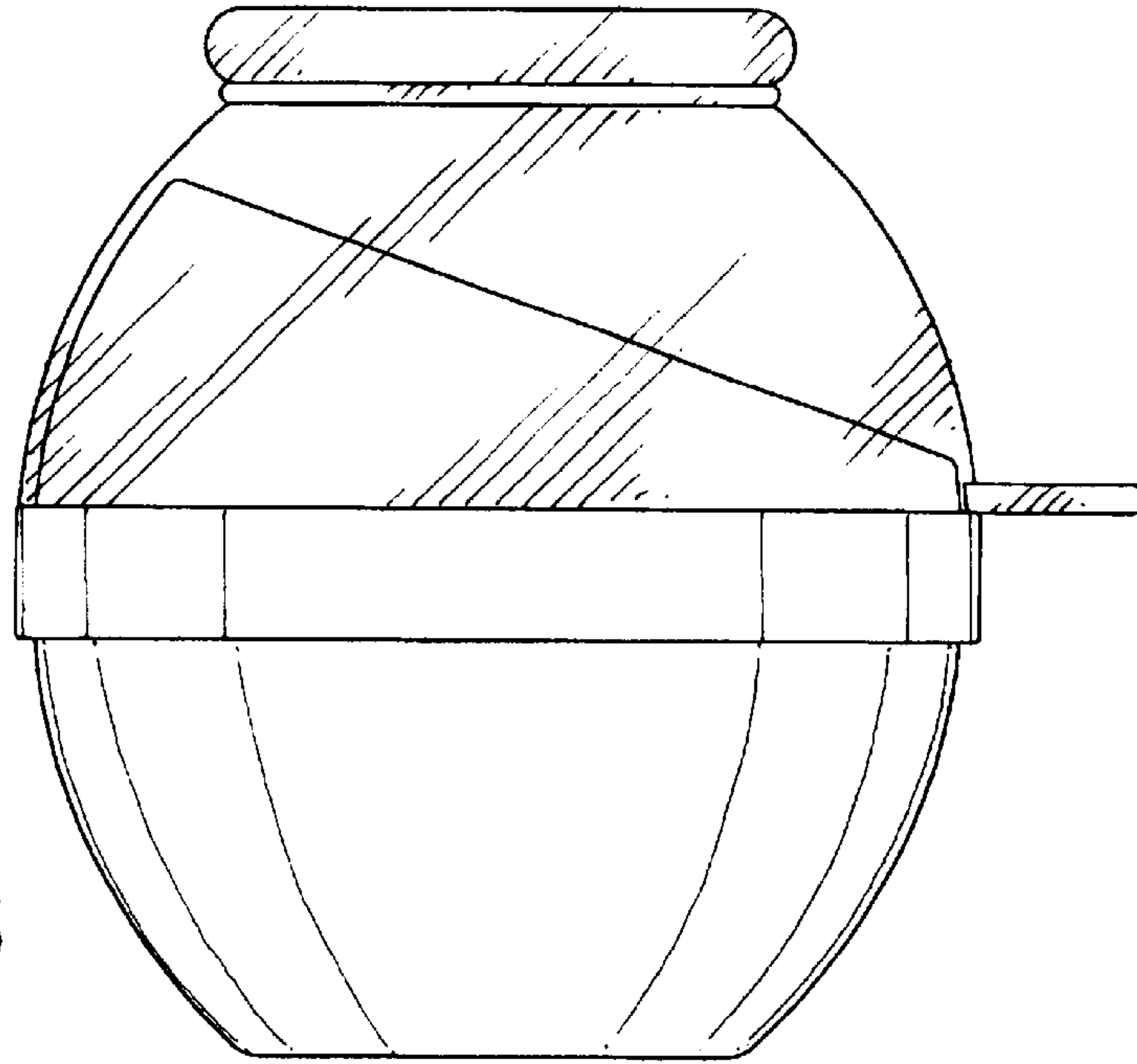


FIG. 3

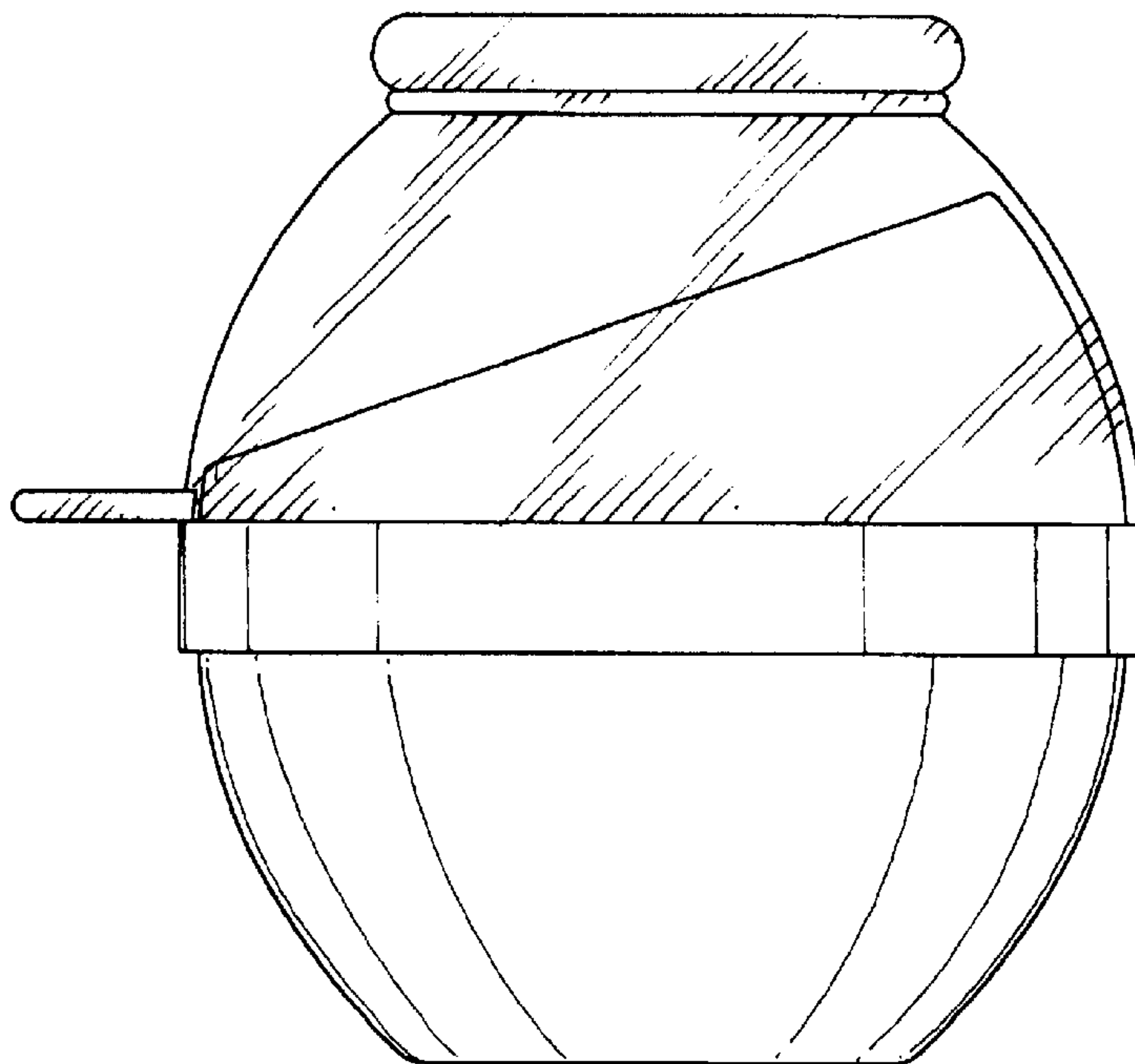


FIG. 4

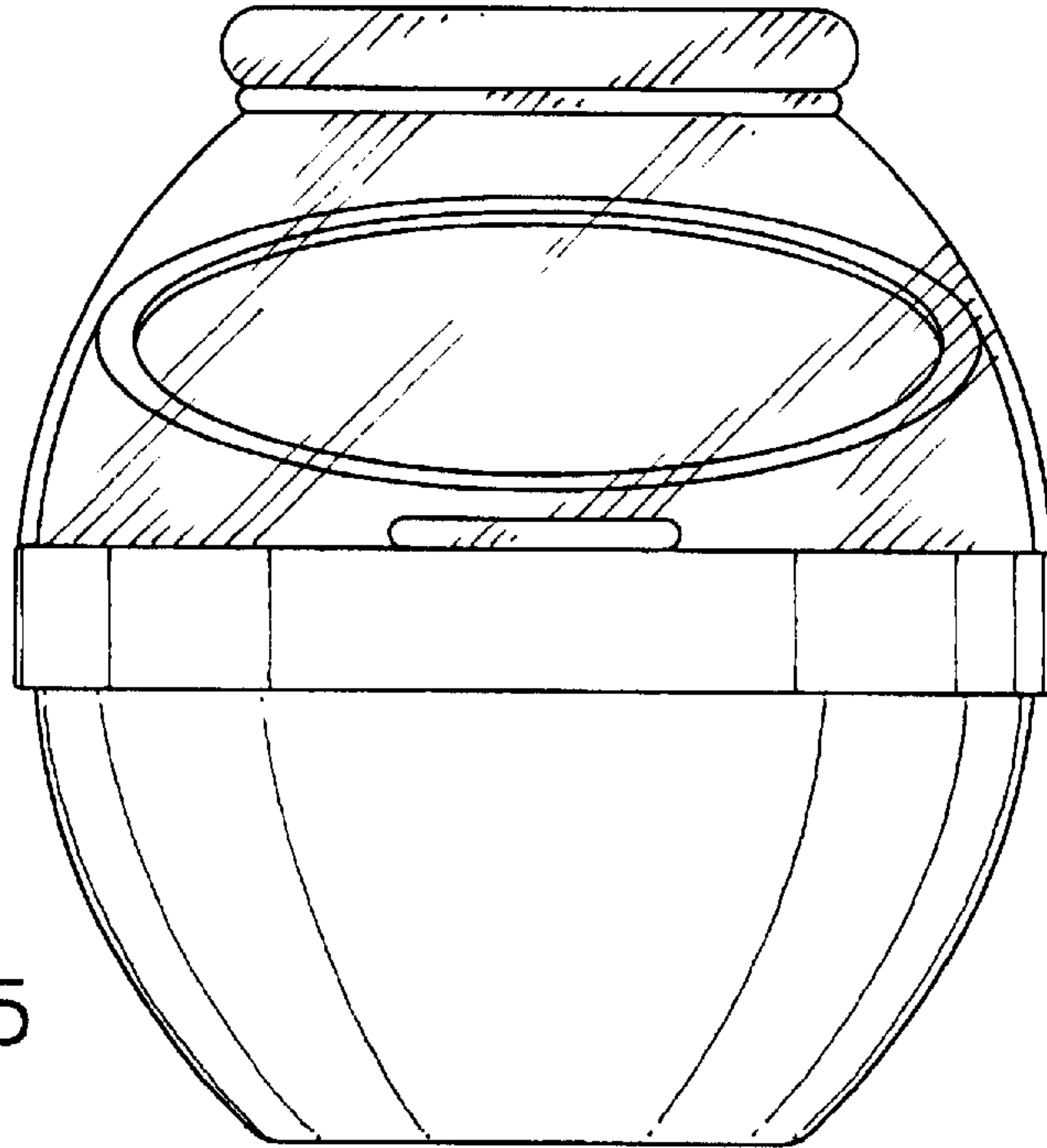


FIG. 5

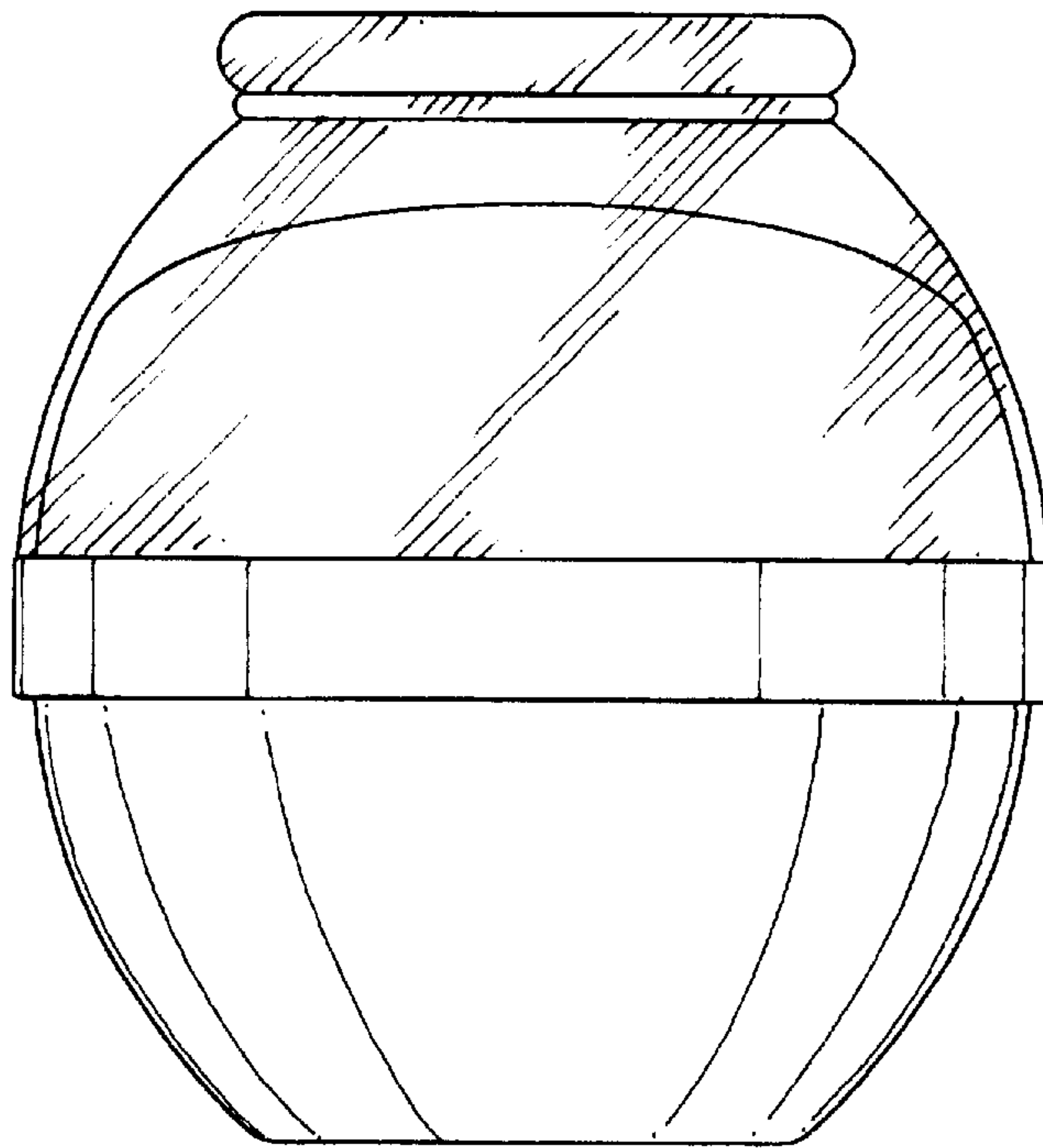


FIG. 6

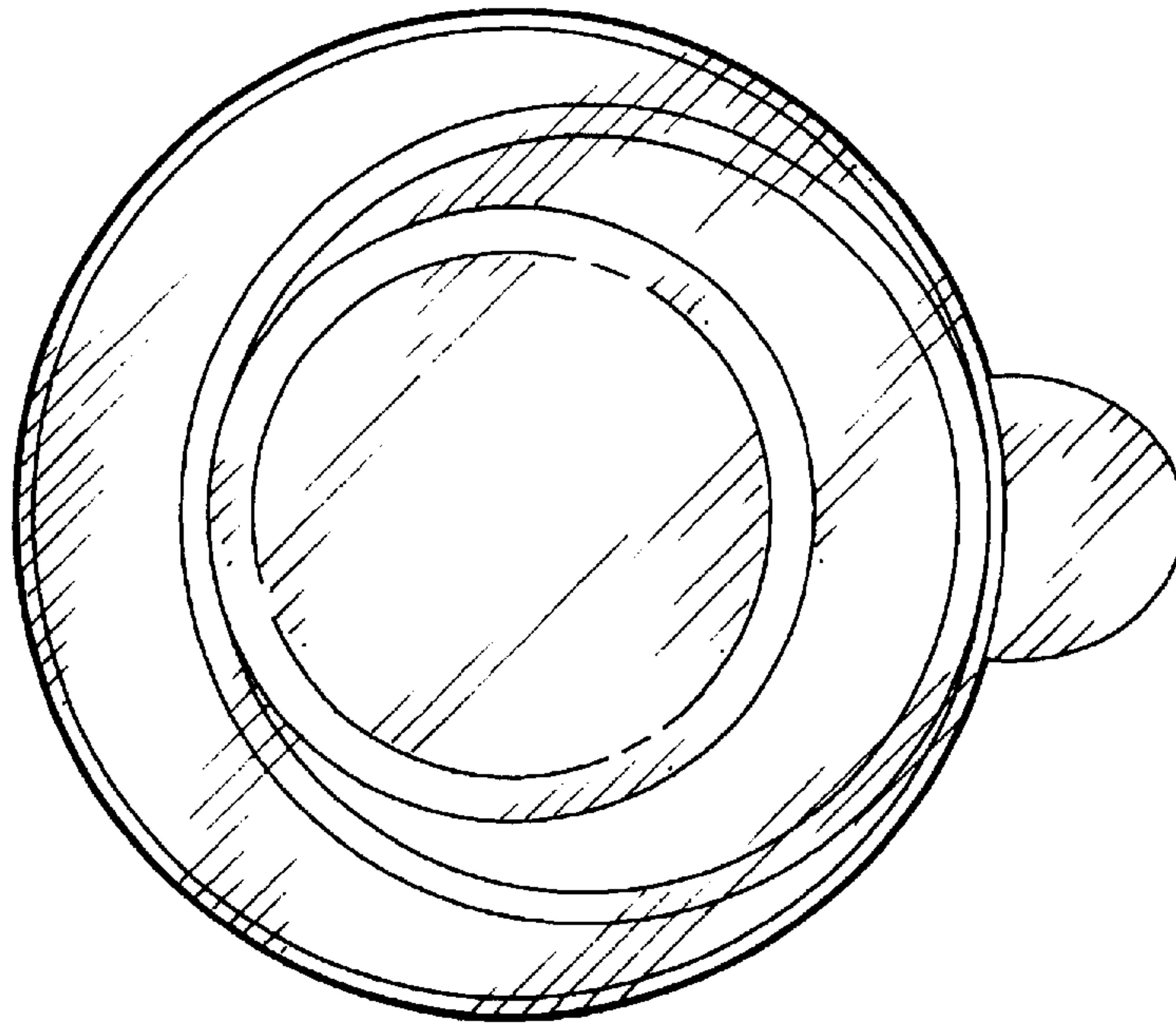


FIG. 7

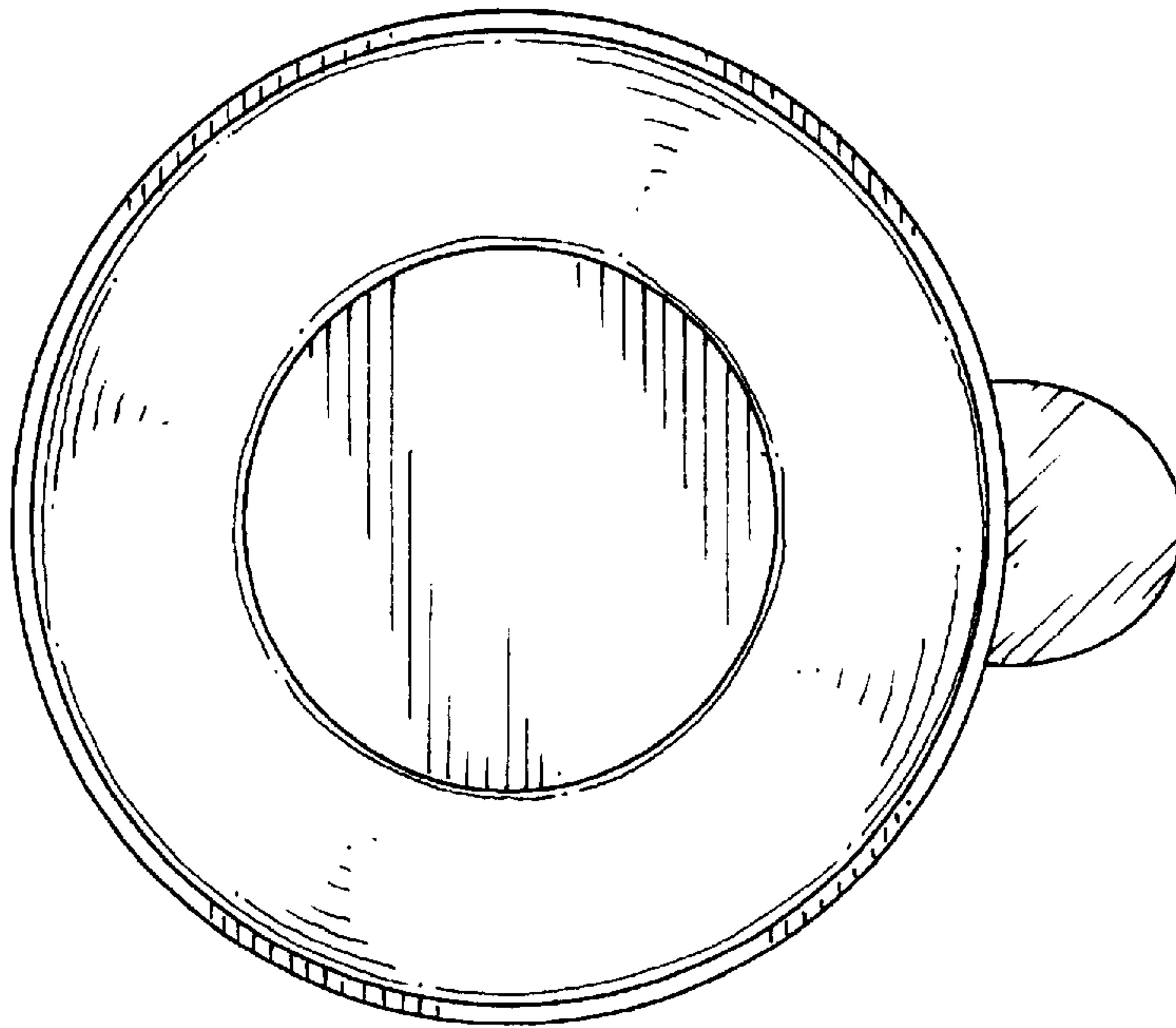


FIG. 8

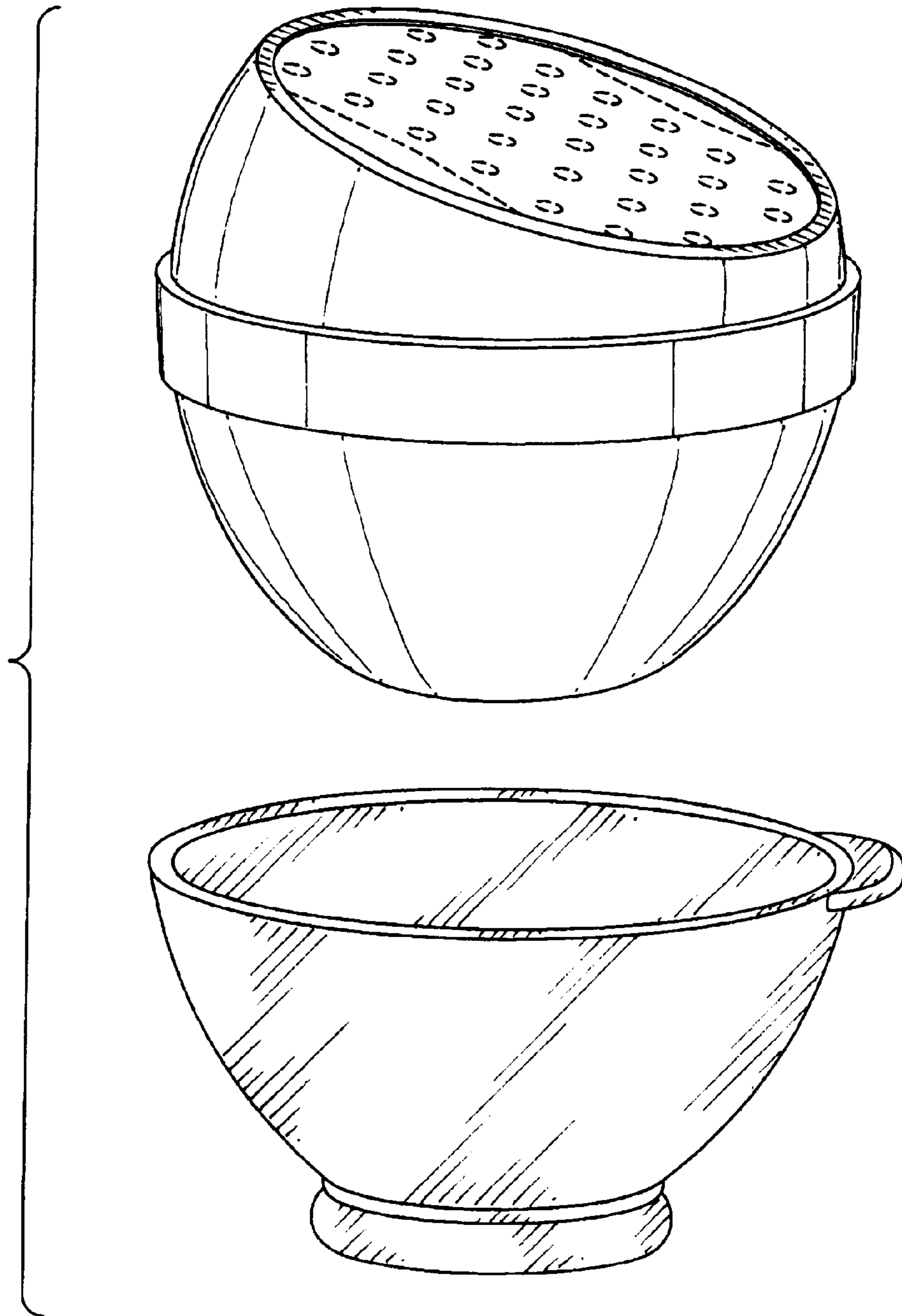


FIG. 9

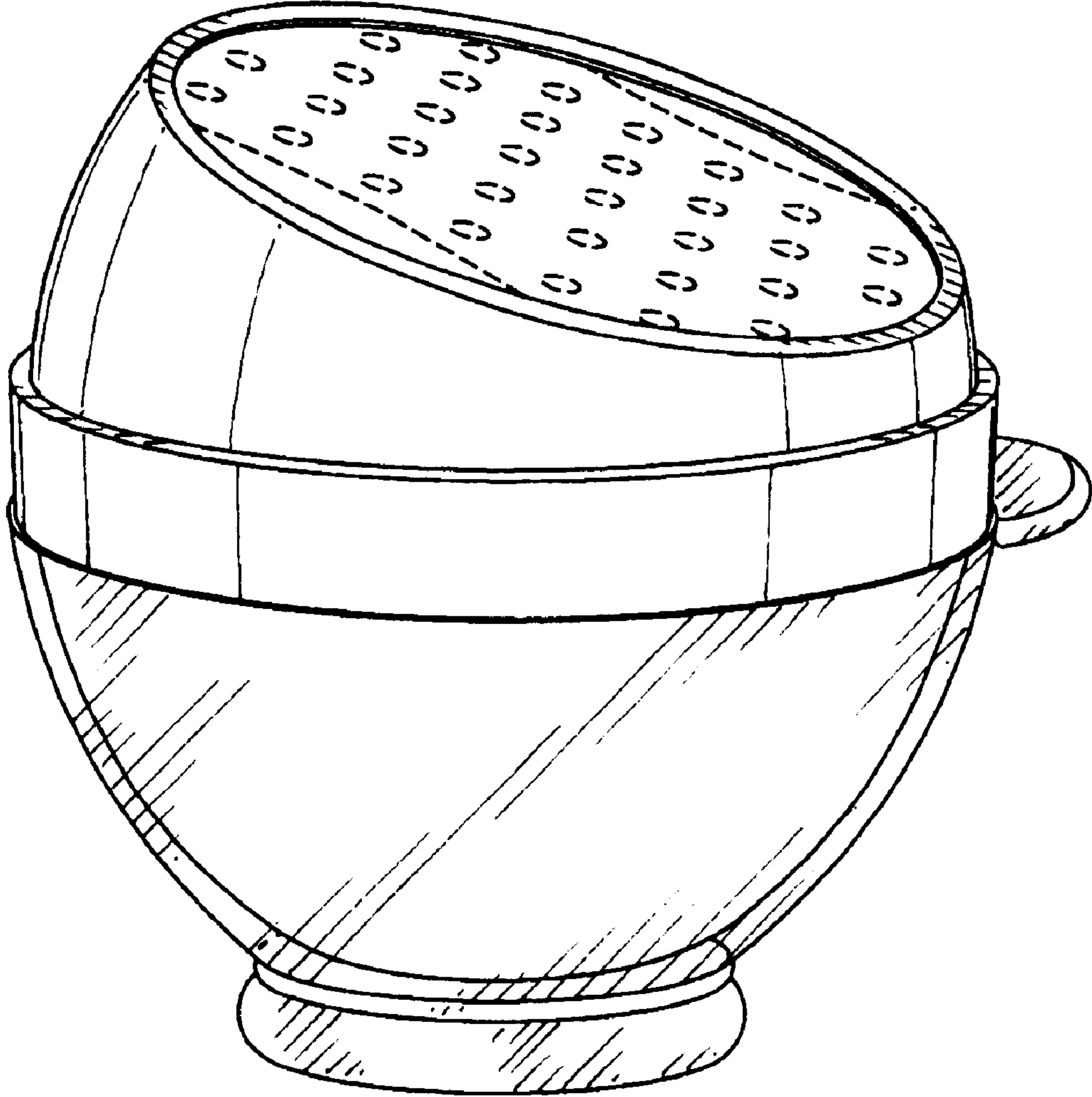


FIG. 10