

US00D510508S

(12) **United States Design Patent**
Graves et al.

(10) **Patent No.: US D510,508 S**

(45) **Date of Patent: ** Oct. 11, 2005**

(54) **GRATER SPOUT**

3,589,421 A * 6/1971 Locker 241/95
3,825,049 A * 7/1974 Swett et al. 241/95

(76) Inventors: **Michael Graves**, 44 Patton Ave.,
Princeton, NJ (US) 08540; **Donald
Strum**, 16 Harrison St., Princeton, NJ
(US) 08540; **Eric Bogner**, 250 Cabrini
Blvd., #G, New York, NY (US) 10033

* cited by examiner

Primary Examiner—Terry A. Wallace
(74) *Attorney, Agent, or Firm*—Duane Morris LLP

(**) Term: **14 Years**

(57) **CLAIM**

The ornamental design for a grater spout, as shown and described.

(21) Appl. No.: **29/205,903**

DESCRIPTION

(22) Filed: **May 21, 2004**

(51) **LOC (8) Cl.** **07-04**

(52) **U.S. Cl.** **D7/678**

(58) **Field of Search** D7/678, 629, 602,
D7/538-542; 241/93-95, 100, 168, 273.1-273.4

FIG. 1 is an exploded perspective view of a grater spout formed according to the design of the present invention; FIG. 2 is an exploded perspective view the grater spout; FIG. 3 is a right side view of the grater spout; FIG. 4 is a left side view of the grater spout; FIG. 5 is a front view of the grater spout; FIG. 6 is a rear view of the grater spout; and, FIG. 7 is a top view of the grater spout.

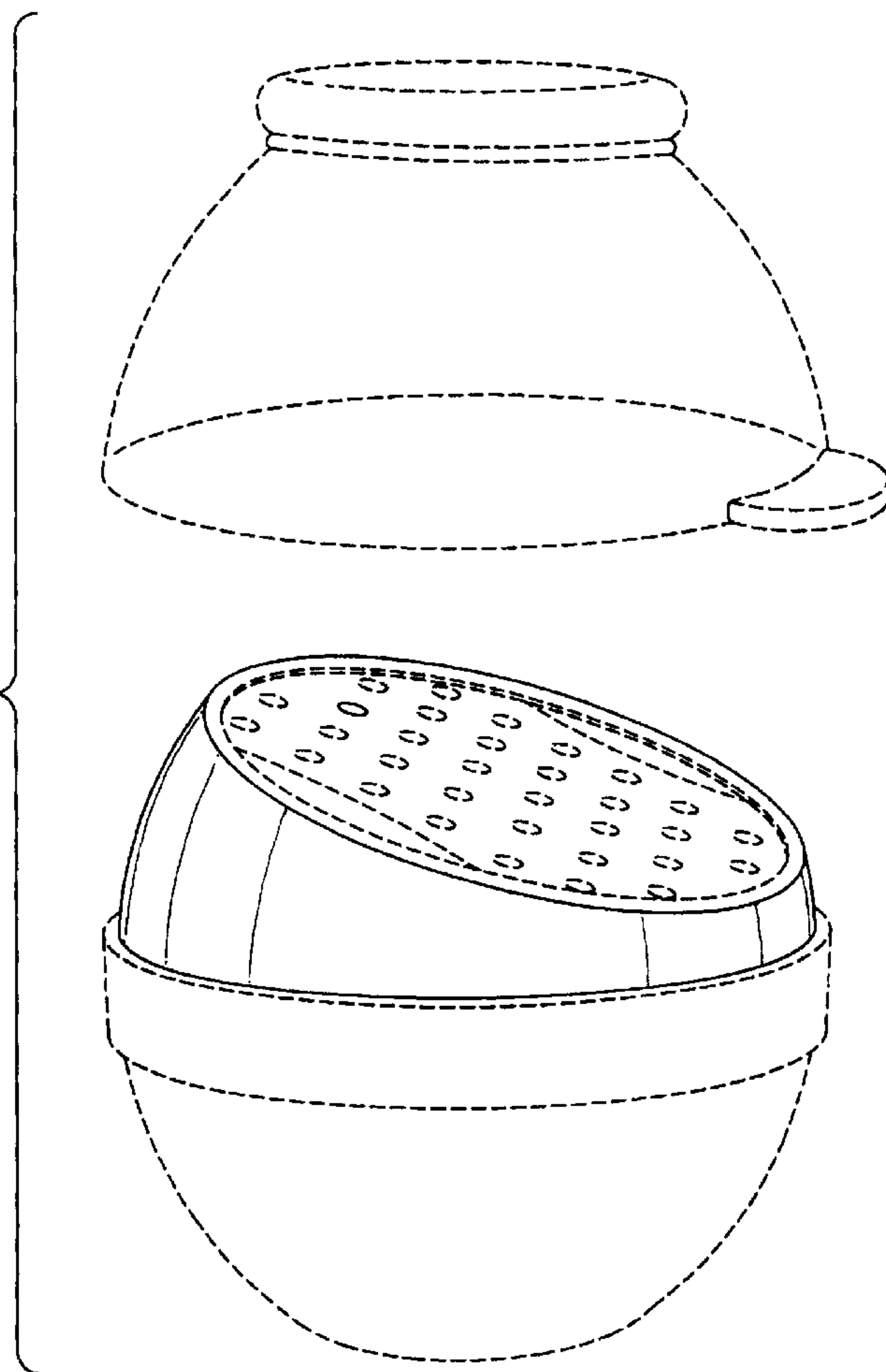
(56) **References Cited**

The broken line showing of structure is for illustrative purposes only and forms no part of the claimed design.

U.S. PATENT DOCUMENTS

2,601,087 A * 6/1952 Buedingen 241/168
2,741,286 A * 4/1956 Bittle 241/95
3,583,455 A * 6/1971 Ostrowsky 241/95

1 Claim, 5 Drawing Sheets



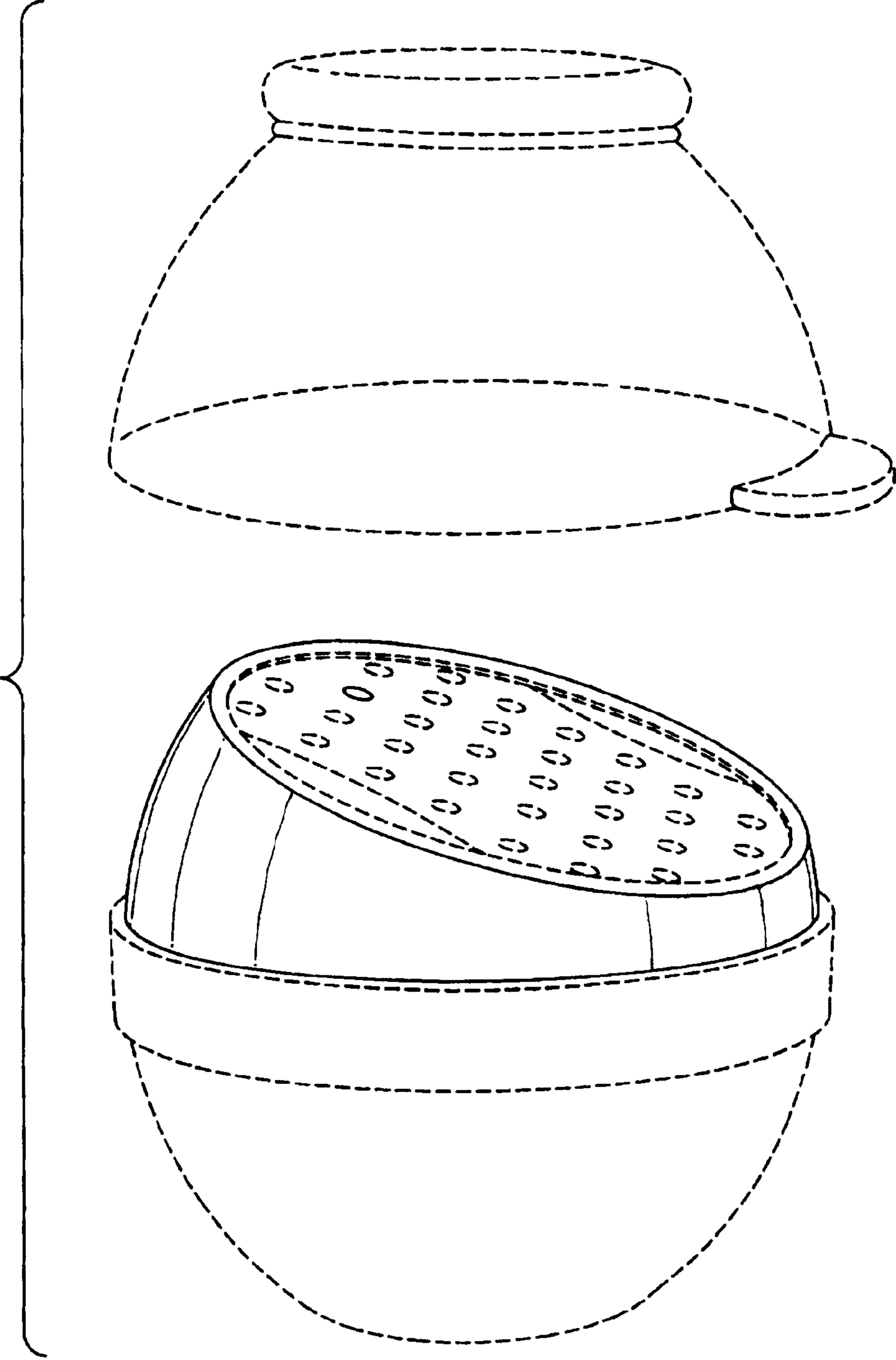


FIG. 1

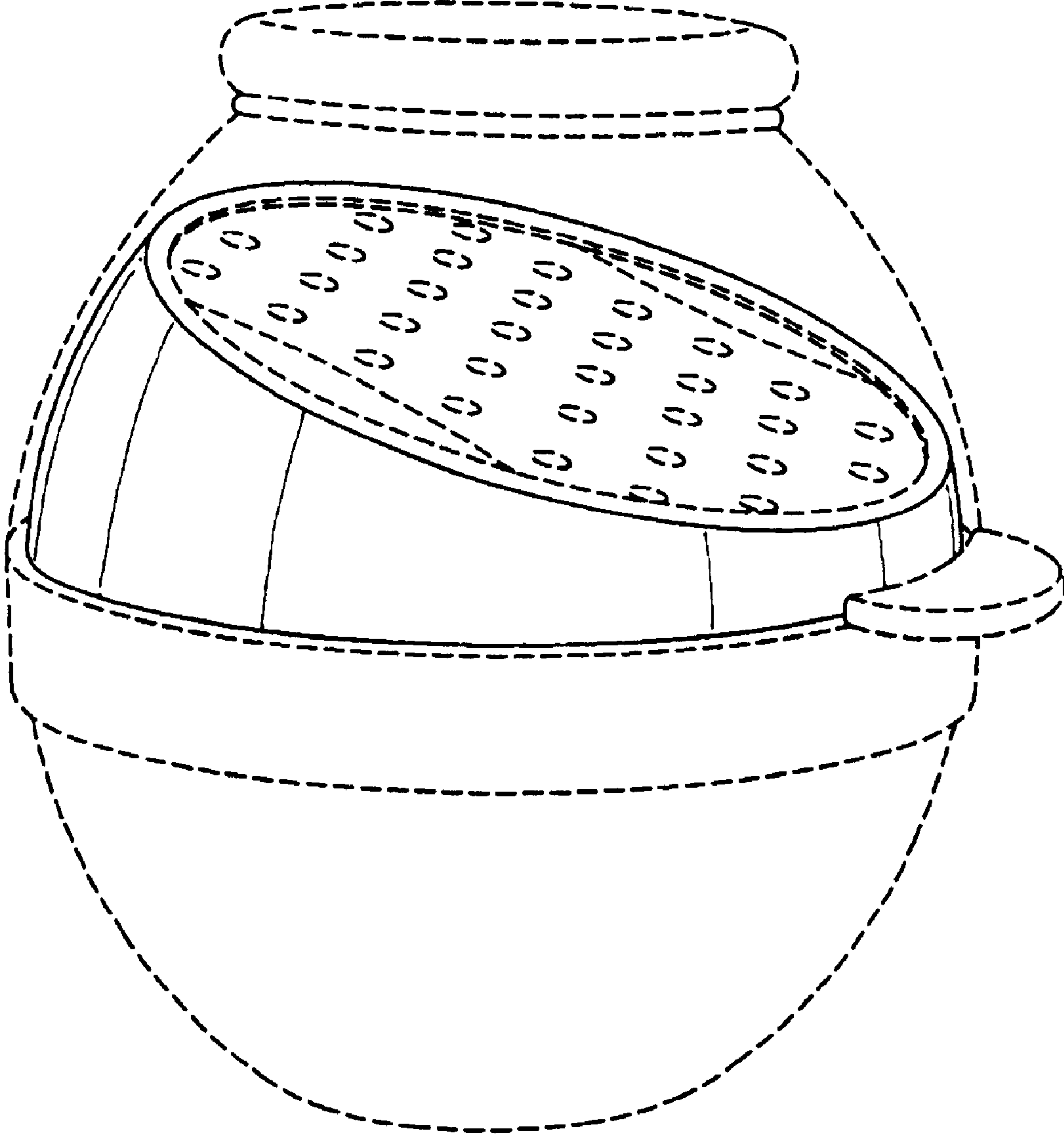


FIG. 2

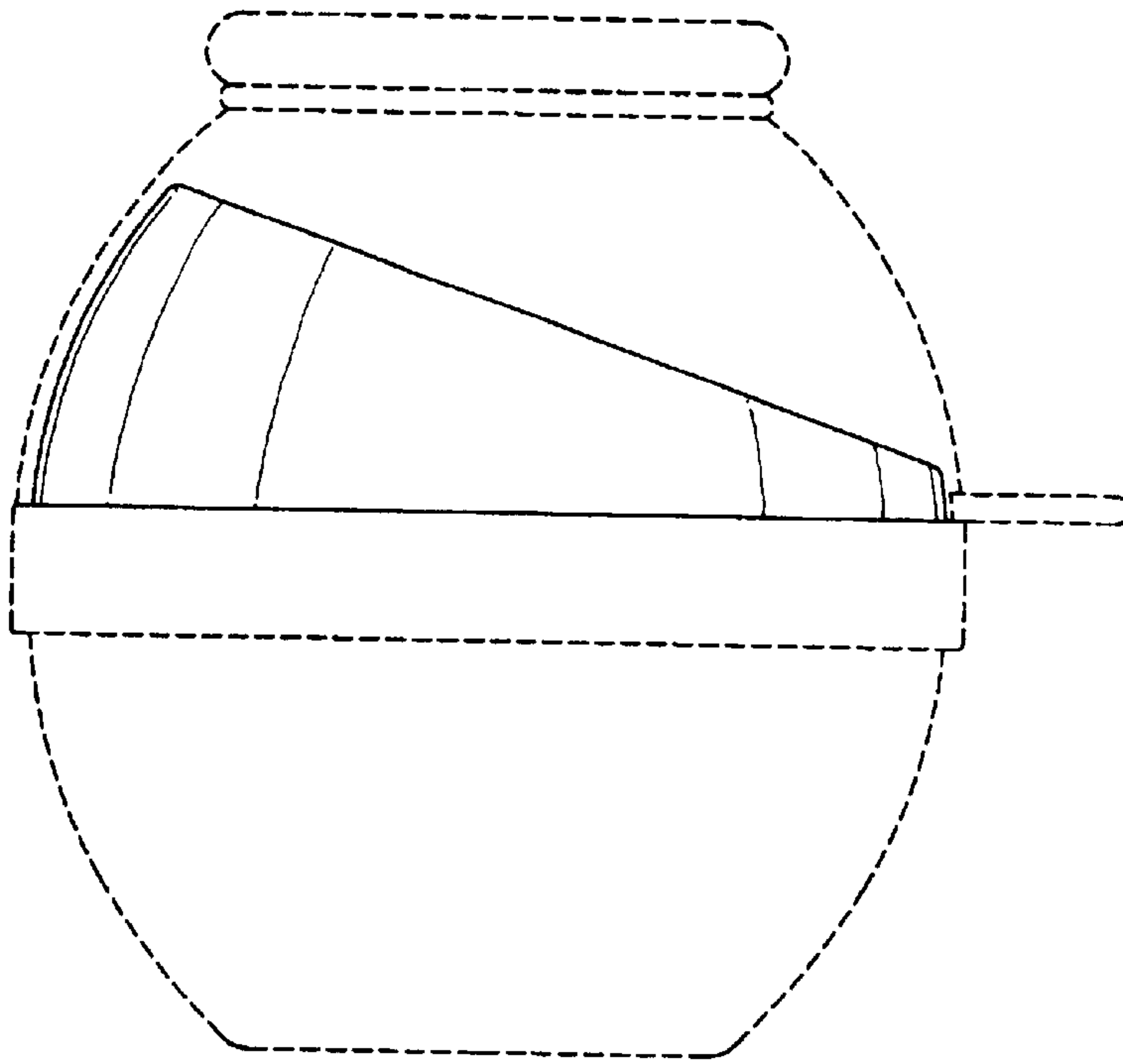


FIG. 3

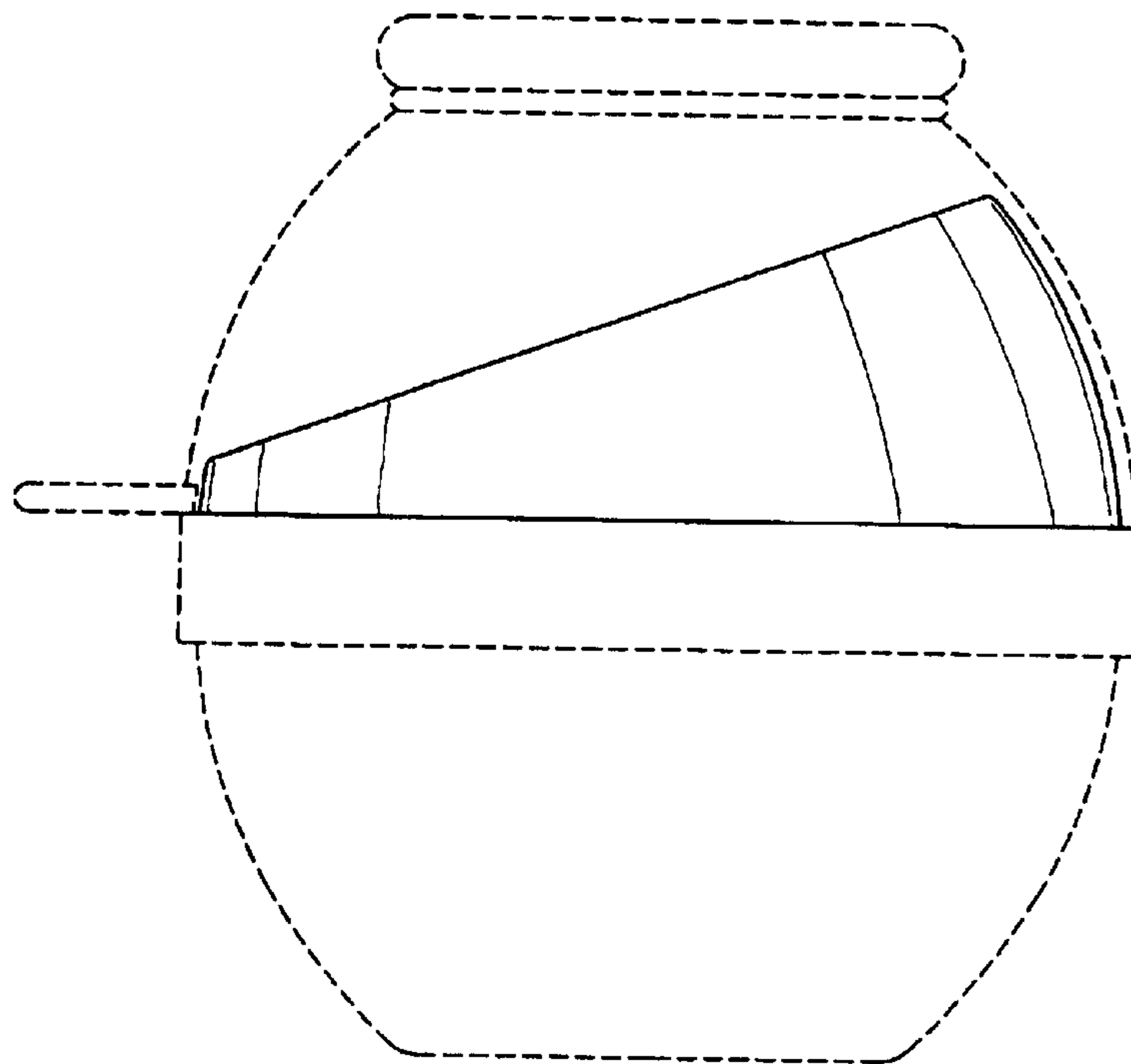


FIG. 4

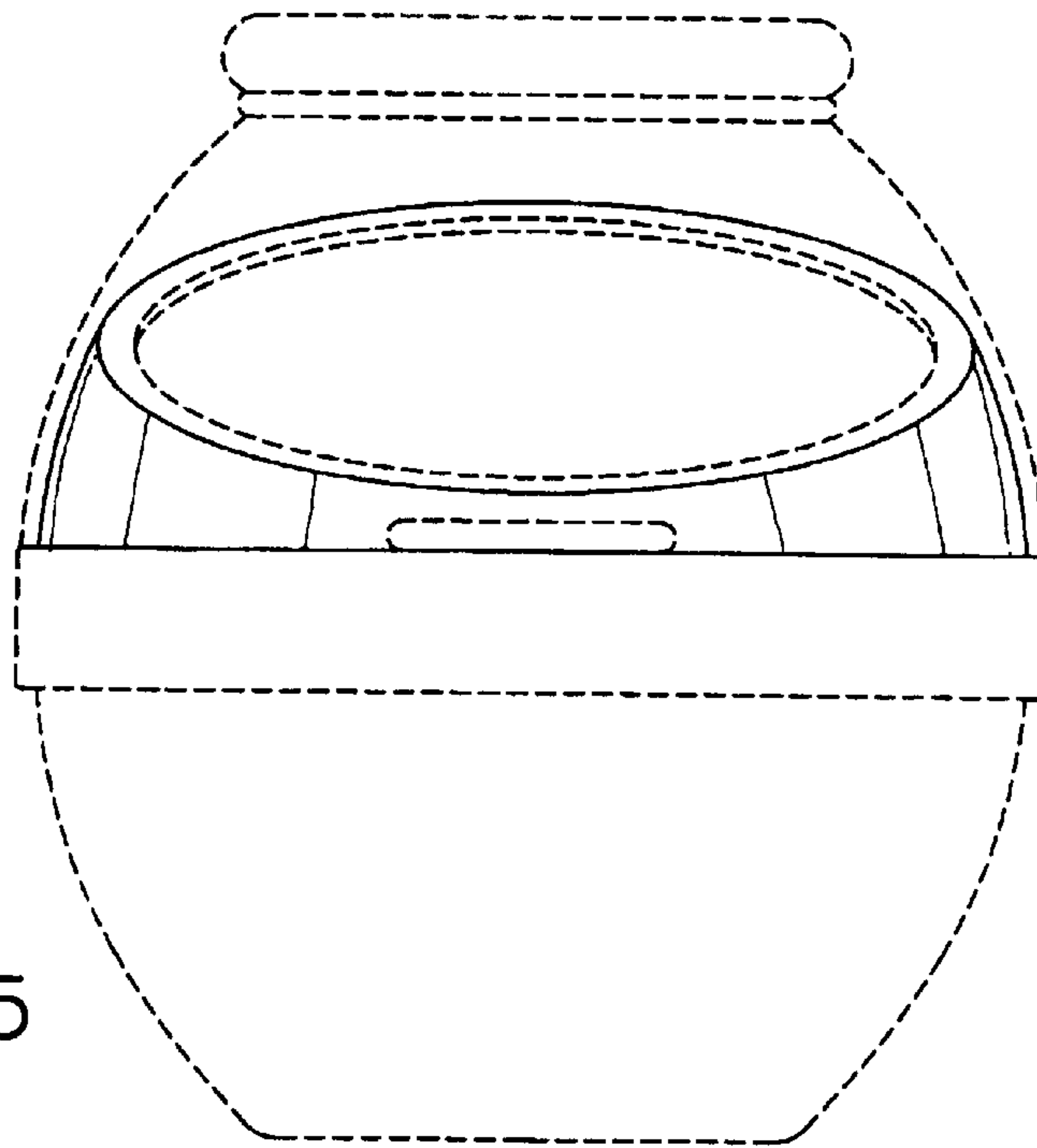


FIG. 5

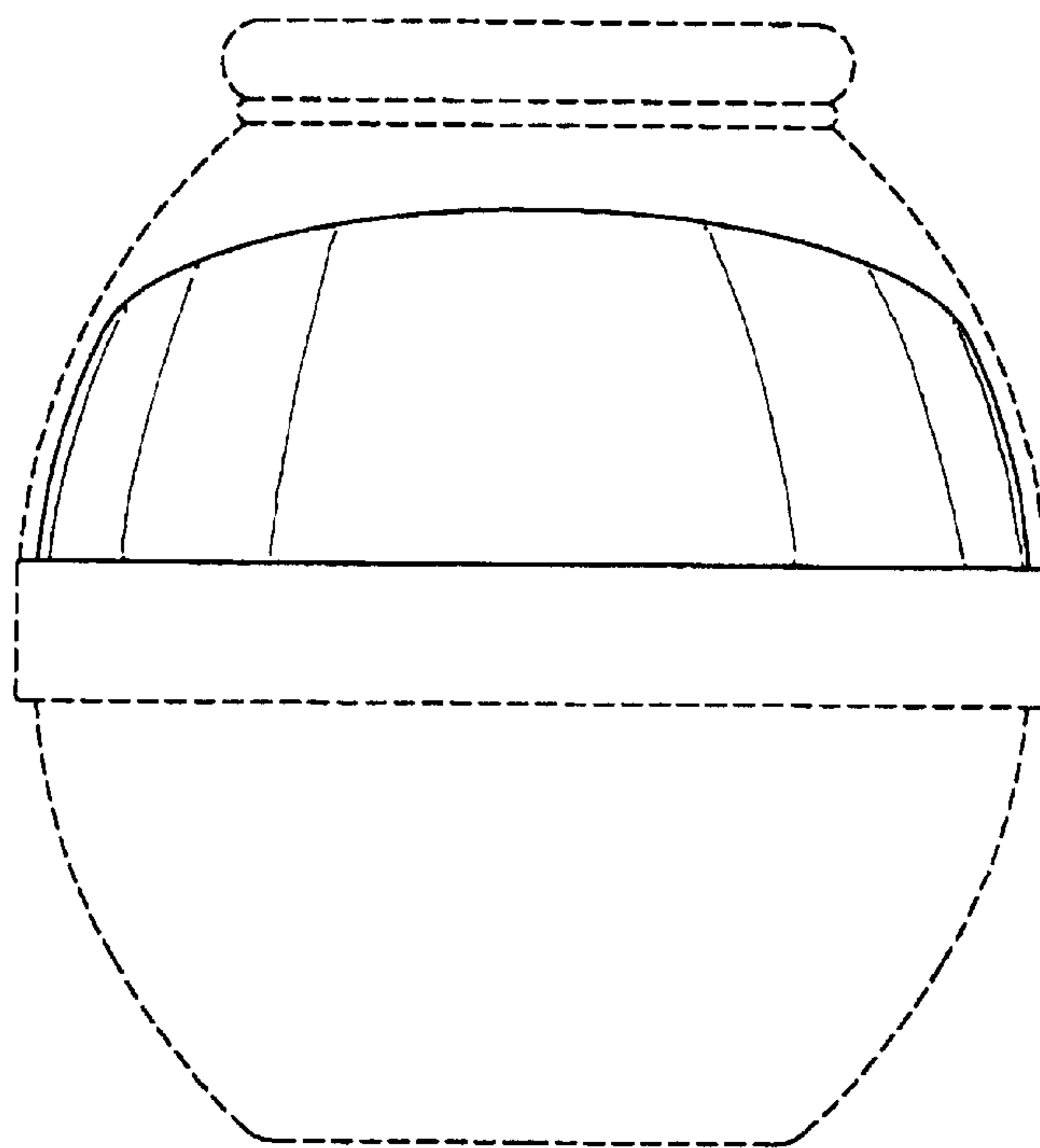


FIG. 6

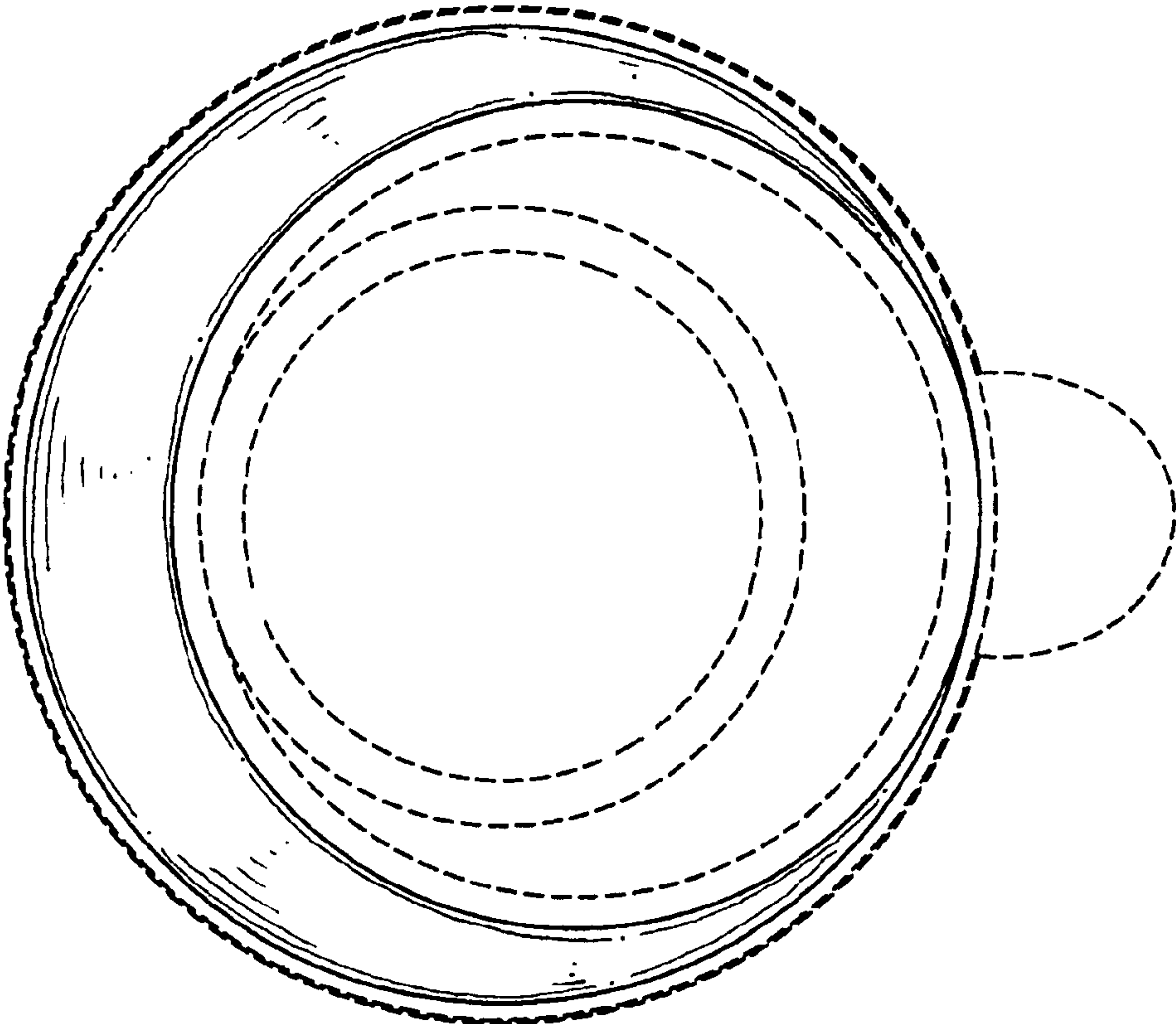


FIG. 7