



US00D510501S

(12) **United States Design Patent**  
**Kim et al.**

(10) **Patent No.: US D510,501 S**

(45) **Date of Patent: \*\* Oct. 11, 2005**

(54) **OVEN RANGE**

(75) Inventors: **Young Don Kim**, Sungnam-shi (KR);  
**Wook Jun Jung**, Pusan (KR)

(73) Assignee: **LG Electronics Inc.**, Seoul (KR)

(\*\*) Term: **14 Years**

(21) Appl. No.: **29/216,371**

(22) Filed: **Nov. 3, 2004**

(30) **Foreign Application Priority Data**

May 4, 2004 (KR) ..... 30-2004-0012897

(51) **LOC (8) Cl.** ..... **07-02**

(52) **U.S. Cl.** ..... **D7/406**

(58) **Field of Search** ..... D7/405-406, 348-349;  
D32/3, 28; 34/524, 88; 126/273 A, 52,  
19 R, 273 R, 39 B, 39 R, 1 R, 37 R; D14/257

(56) **References Cited**

**U.S. PATENT DOCUMENTS**

D468,962 S \* 1/2003 Jones et al. .... D7/405

**OTHER PUBLICATIONS**

Zanussi Single Multifunction Digital Oven on the DIY and  
Hardware Store, [www.diy-hardware-store.co.uk](http://www.diy-hardware-store.co.uk), May 3,  
2005.\*

\* cited by examiner

*Primary Examiner*—Robert A. Delehanty

(74) *Attorney, Agent, or Firm*—Birch, Stewart, Kolasch &  
Birch, LLP

(57) **CLAIM**

We claim the ornamental design for oven range, as shown  
and described.

**DESCRIPTION**

FIG. 1 is a Perspective view of oven range showing the new  
design:

FIG. 2 is a Front Elevation View thereof;

FIG. 3 is a Rear Elevation View thereof;

FIG. 4 is a Left-side Elevation View thereof;

FIG. 5 is a Right-side Elevation View thereof;

FIG. 6 is a Top Plan View thereof; and,

FIG. 7 is a Bottom Plan View thereof.

The broken line showing of an oven is for illustrative  
purposes only and forms no part of the claimed design.

**1 Claim, 4 Drawing Sheets**

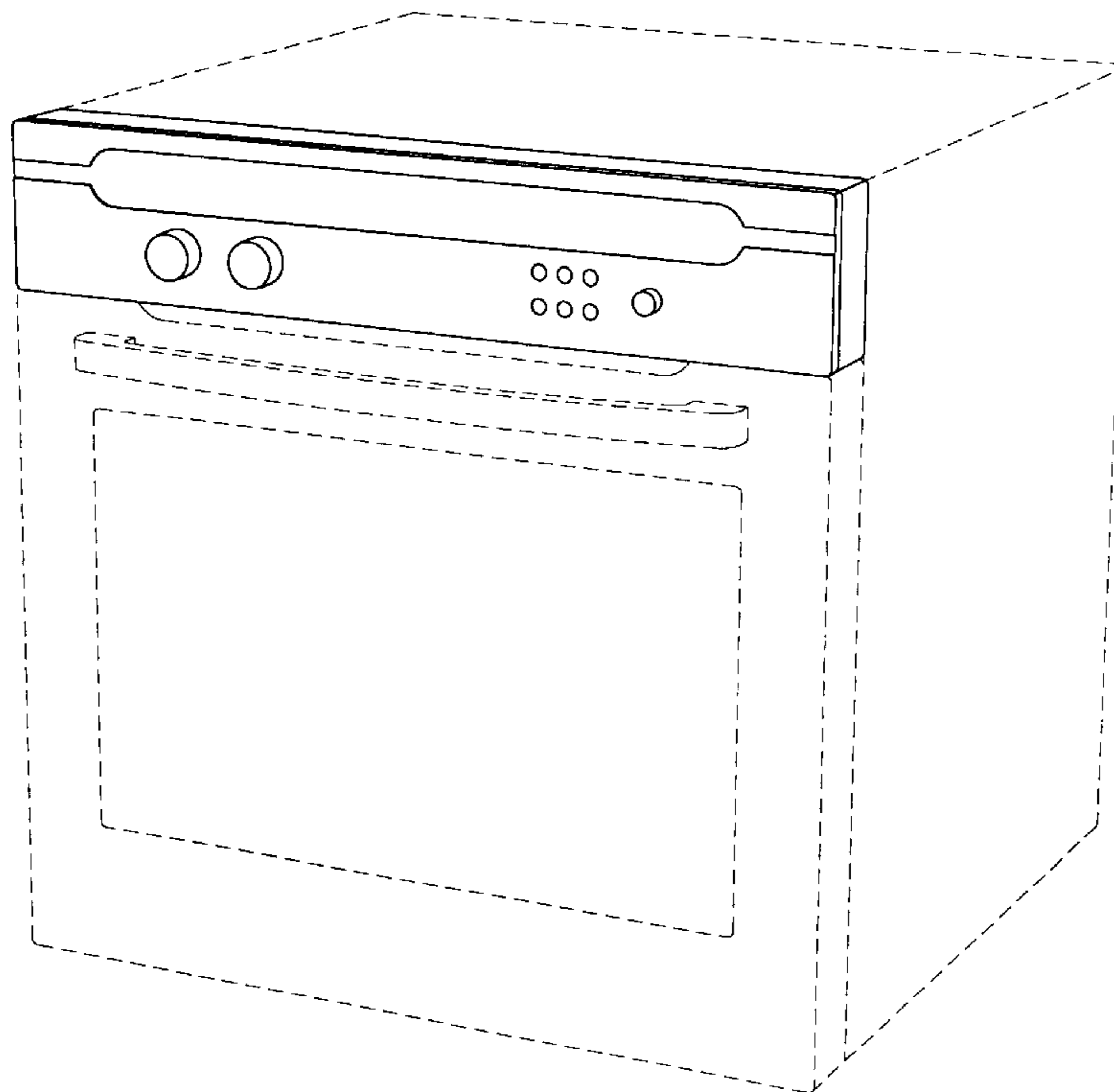


FIG. 1

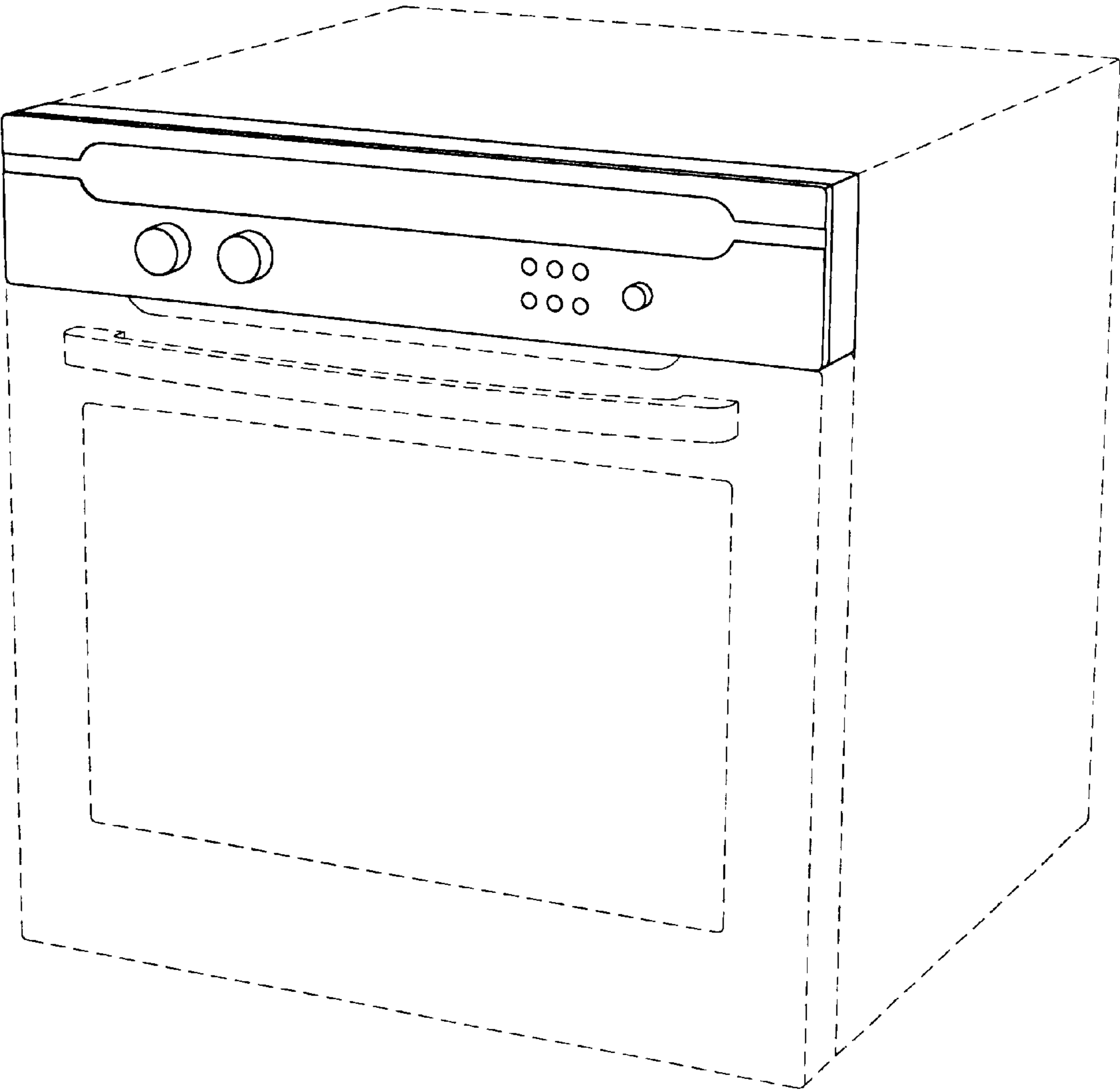


FIG. 2

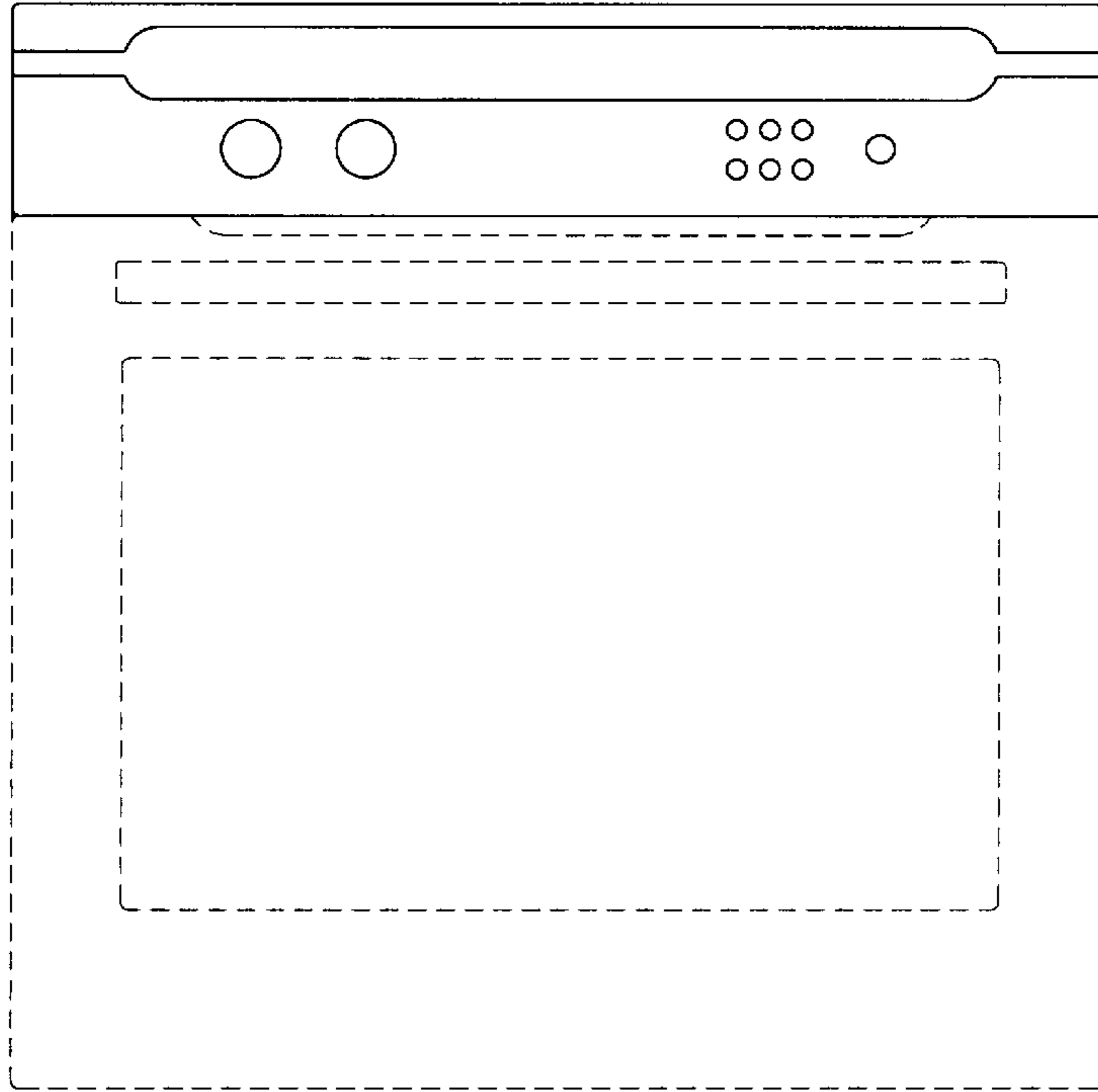


FIG. 3



FIG. 4

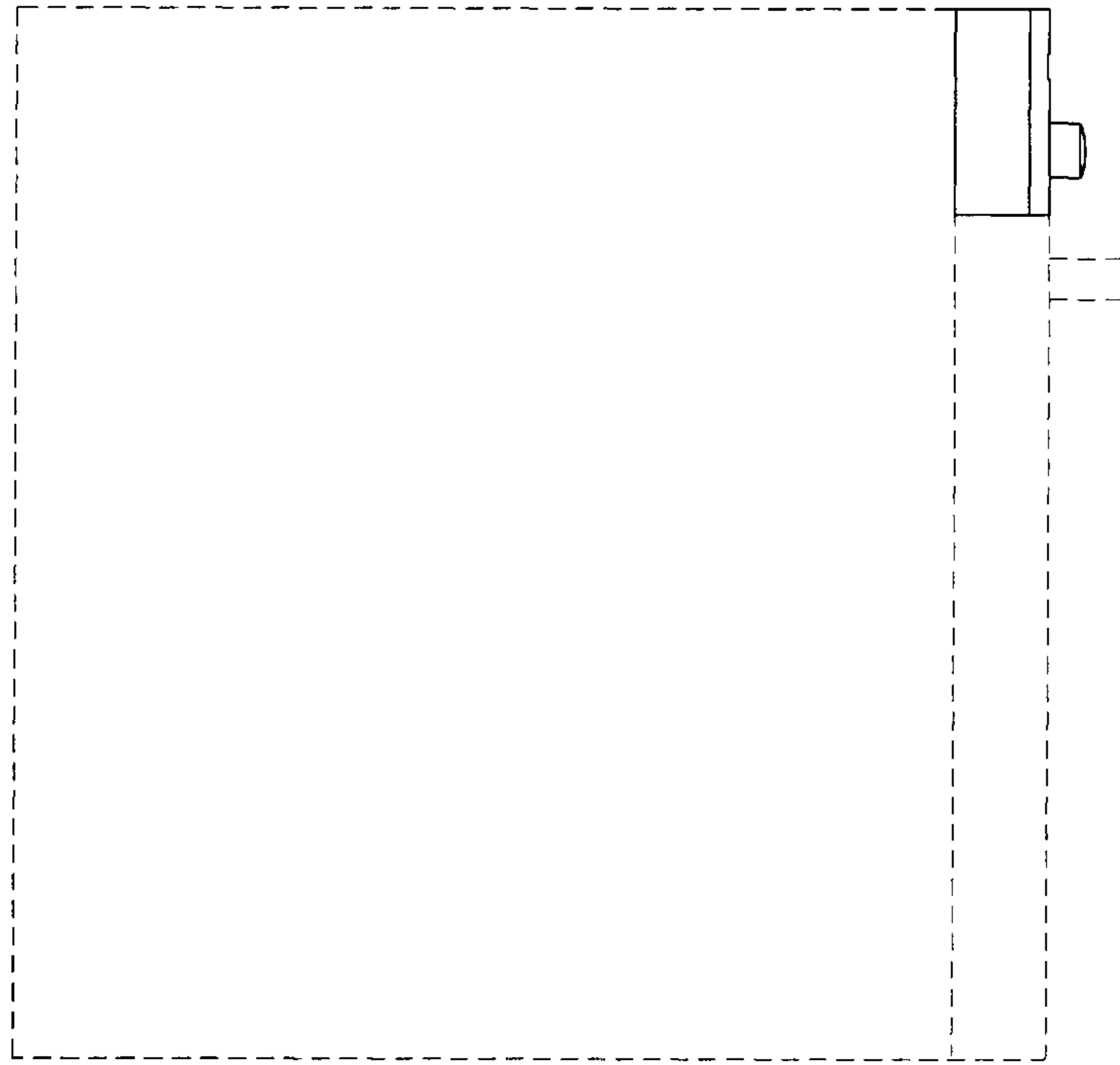


FIG. 5

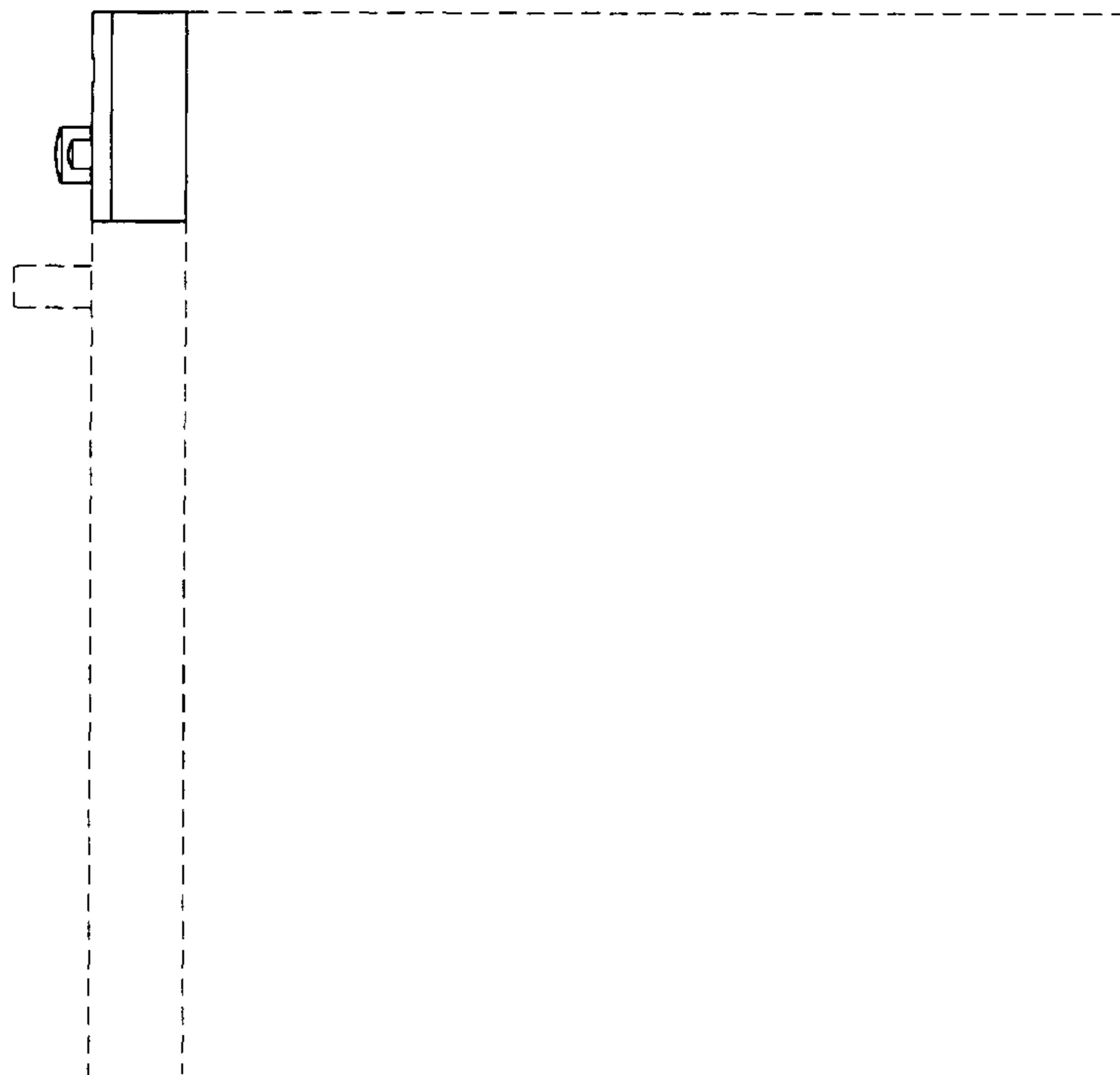


FIG. 6

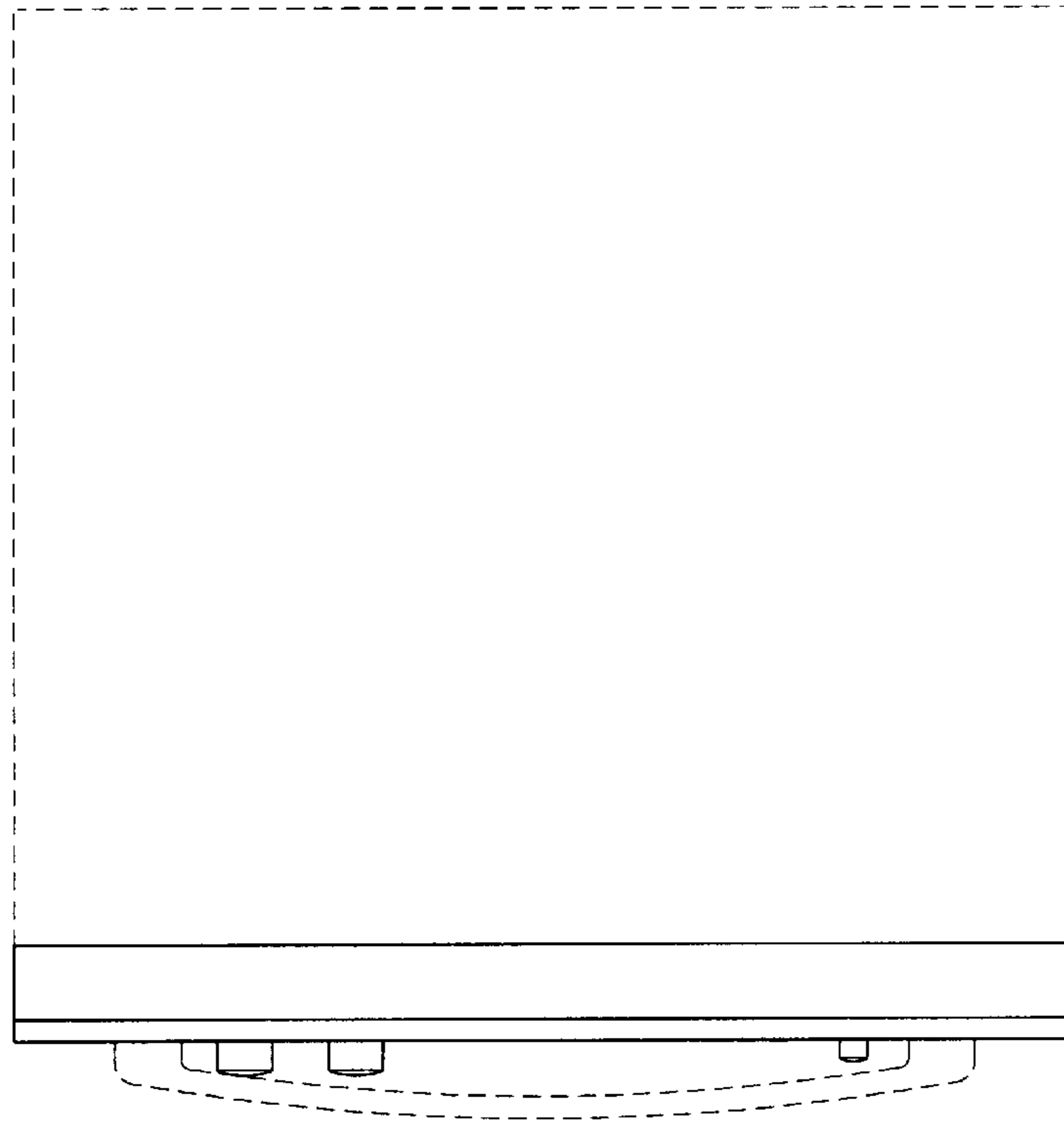


FIG. 7

