



US00D510492S

(12) **United States Design Patent**
Sakurai et al.

(10) **Patent No.: US D510,492 S**
(45) **Date of Patent: ** Oct. 11, 2005**

(54) **DESK**

FOREIGN PATENT DOCUMENTS

(75) Inventors: **Tamio Sakurai**, Osaka (JP); **Koichiro Hayashi**, Osaka (JP)

JP 836397 5/1992

* cited by examiner

(73) Assignees: **Itoki Co., Ltd.**, Osaka (JP); **Itoki Crebio Corporation**, Osaka (JP)

Primary Examiner—Janice E. Seeger

(74) *Attorney, Agent, or Firm*—McGinn & Gibb, PLLC

(**) Term: **14 Years**

(57) **CLAIM**

The ornamental design for a desk, as shown and described.

(21) Appl. No.: **29/201,491**

DESCRIPTION

(22) Filed: **Mar. 17, 2004**

(30) **Foreign Application Priority Data**

Sep. 18, 2003 (JP) 2003-027224

(51) **LOC (8) Cl.** **06-06**

(52) **U.S. Cl.** **D6/495**

(58) **Field of Search** D6/480–489, 495–499,
D6/511; 108/50.01, 50.02, 153.1, 155, 156,
157.1, 161; 248/188, 188.1, 188.8; 312/208.1,
208.2, 223.1, 223.2, 223.3

FIG. 1 is a front perspective view of a desk showing our new design;

FIG. 2 is a front elevational view of a desk showing our new design;

FIG. 3 is a right side view thereof; the left side being a mirror image;

FIG. 4 is a bottom view thereof;

FIG. 5 is an enlarged cross-sectional view taken along line 5—5 in FIG. 2;

FIG. 6 is a cross-sectional view taken along line 6—6 in FIG. 2;

FIG. 7 is an enlarged cross-sectional view taken along line 7—7 in FIG. 5; and,

FIG. 8 is an enlarged cross-sectional view taken along line 8—8 in FIG. 5.

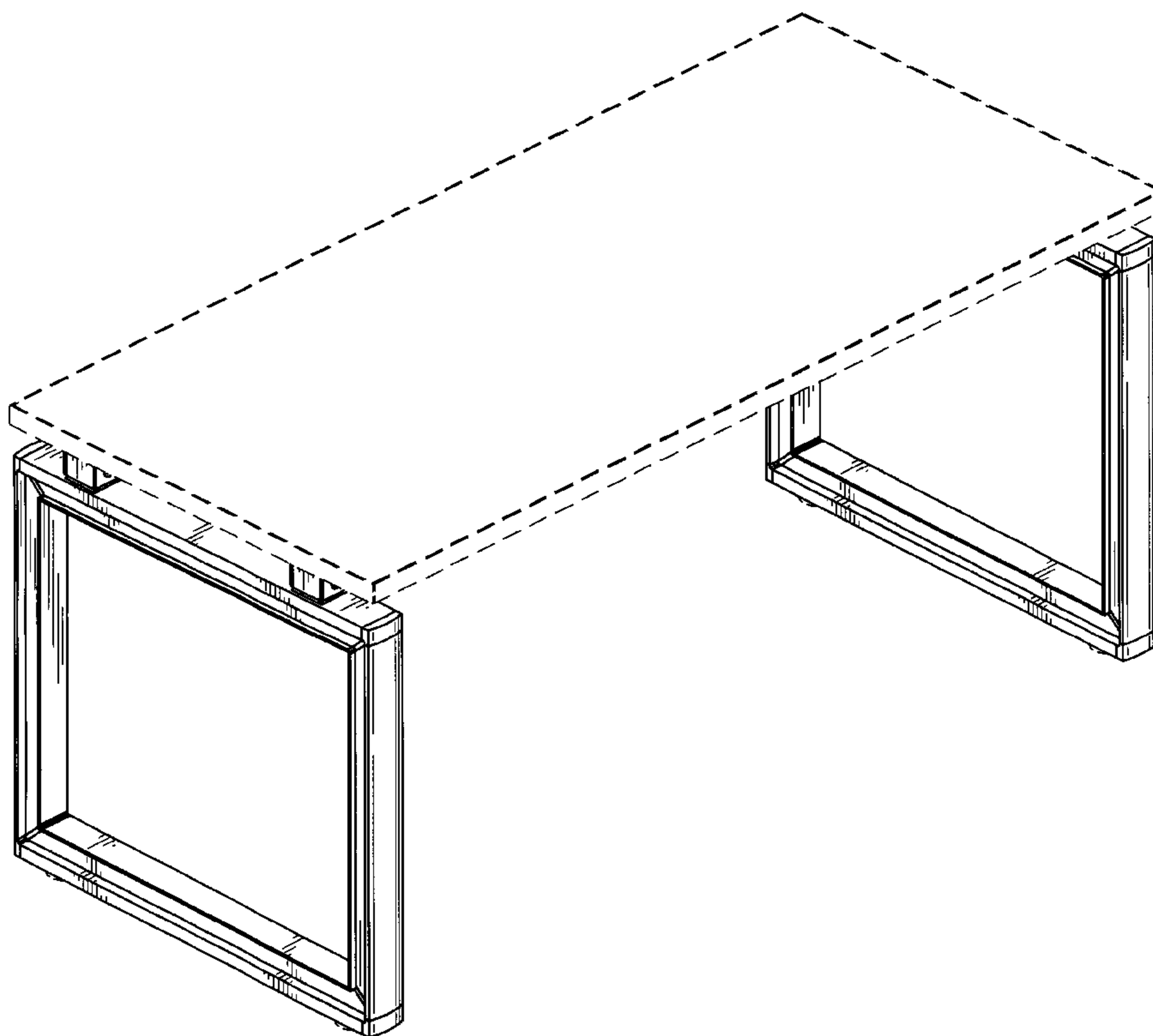
The broken line showings in the drawings are for illustrative purposes only and form no part of the claimed design.

(56) **References Cited**

U.S. PATENT DOCUMENTS

- D96,633 S * 8/1935 Swanson D6/480
- 2,615,770 A * 10/1952 Curtis 108/155
- D217,261 S * 4/1970 Gianfunga D6/485
- D220,704 S * 5/1971 Kramer D6/484
- D240,582 S * 7/1976 Friedman D6/484
- D244,114 S * 4/1977 Neff D6/484

1 Claim, 7 Drawing Sheets



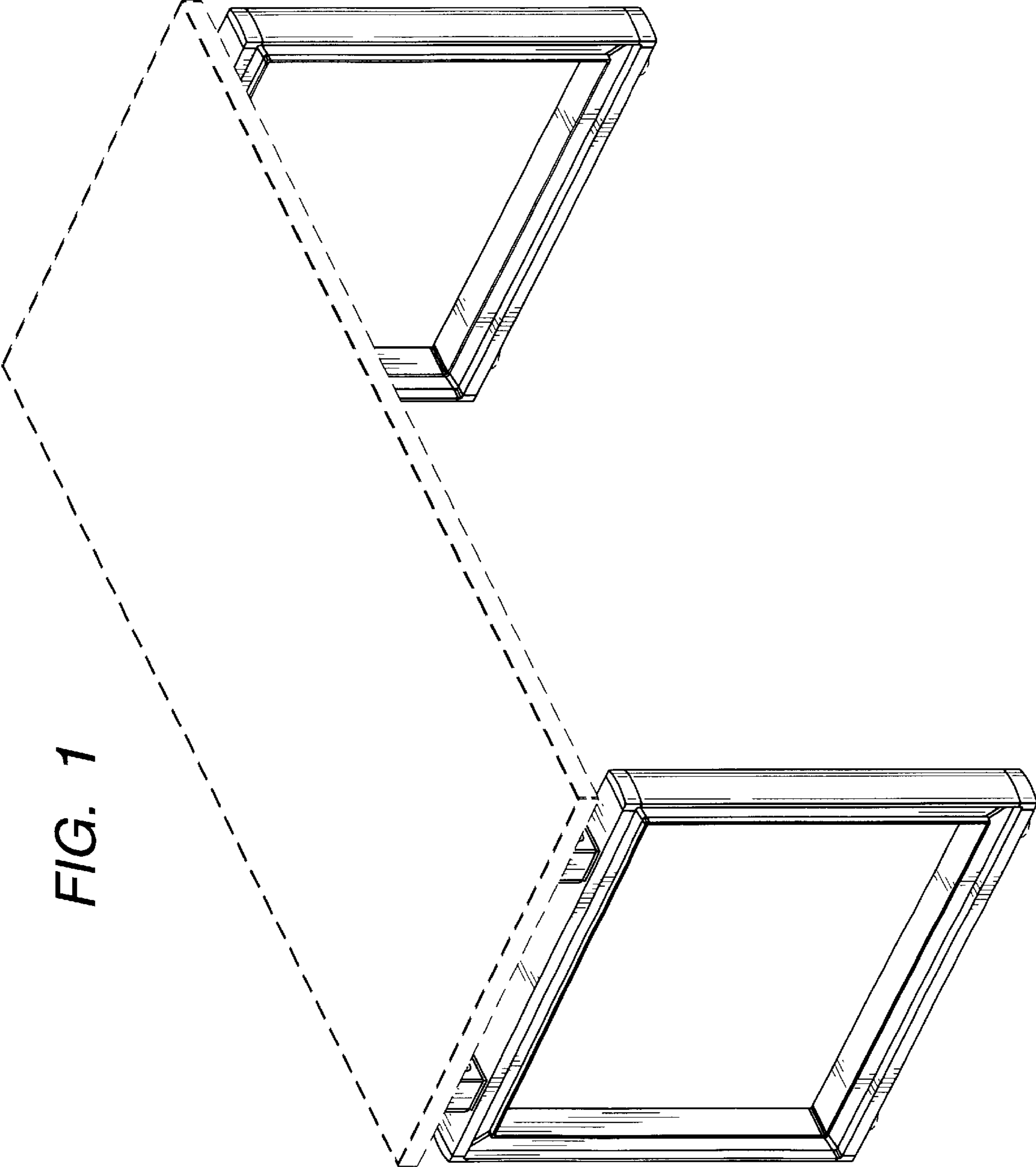


FIG. 1

FIG. 2

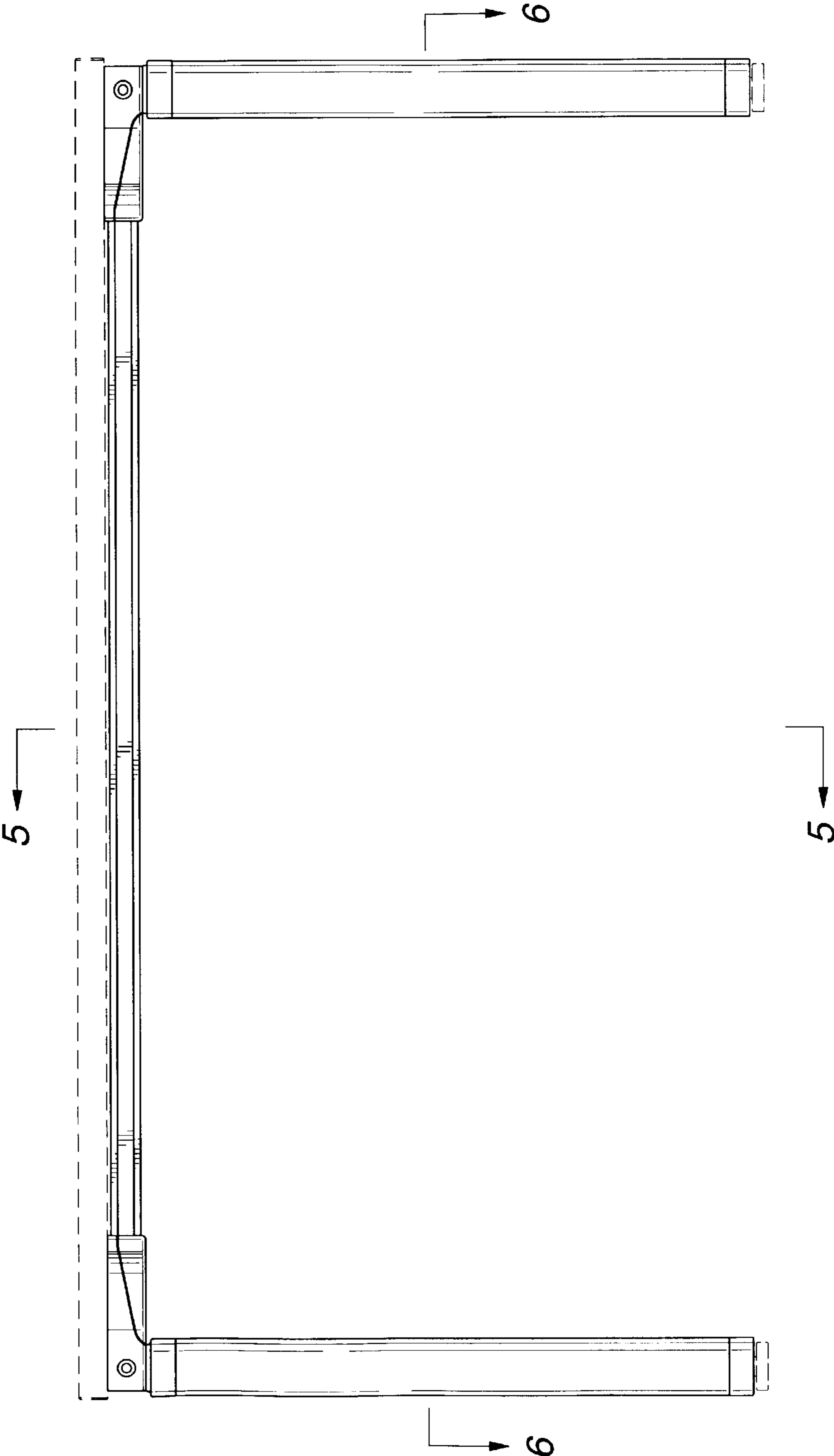


FIG. 3

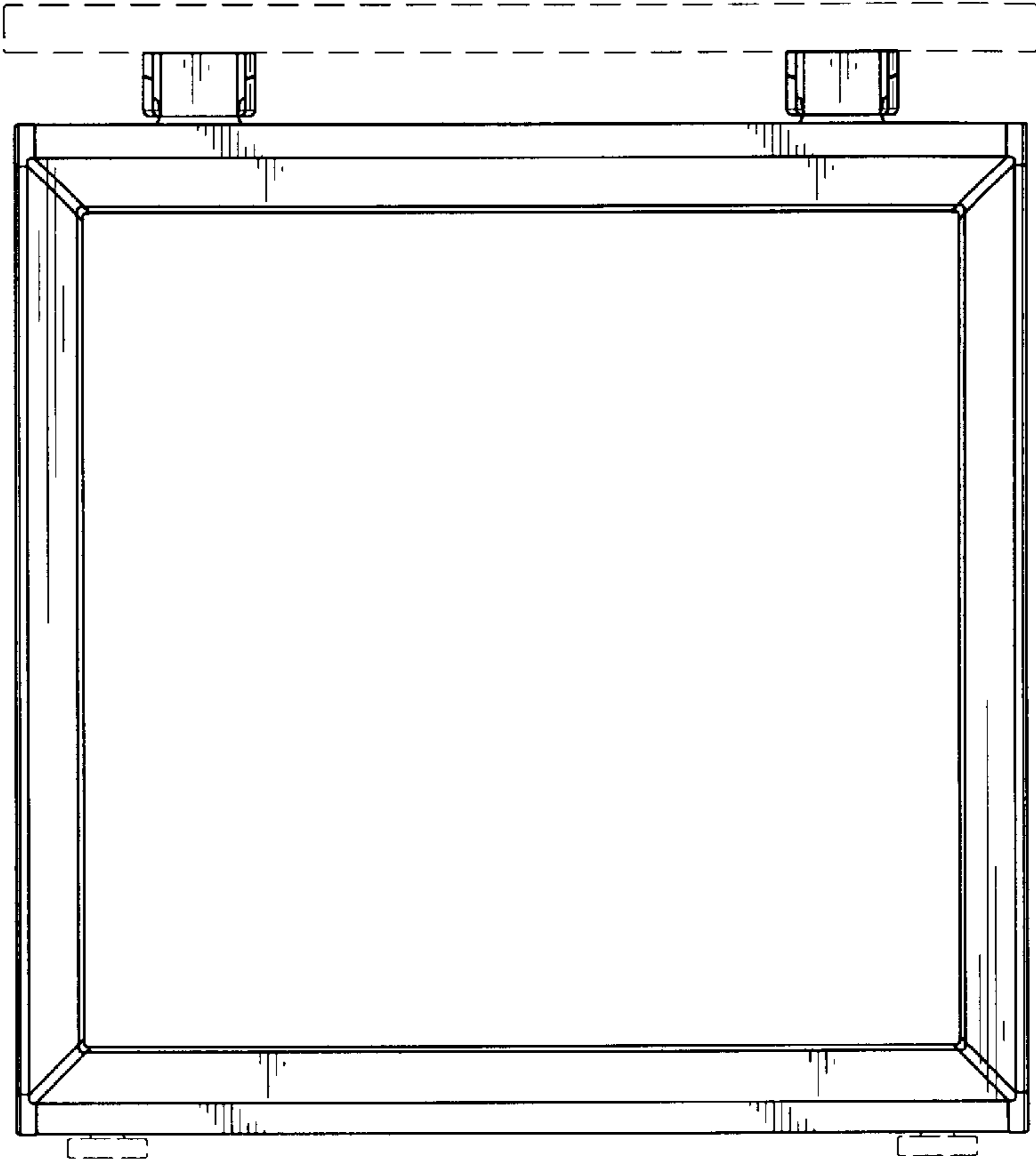


FIG. 4

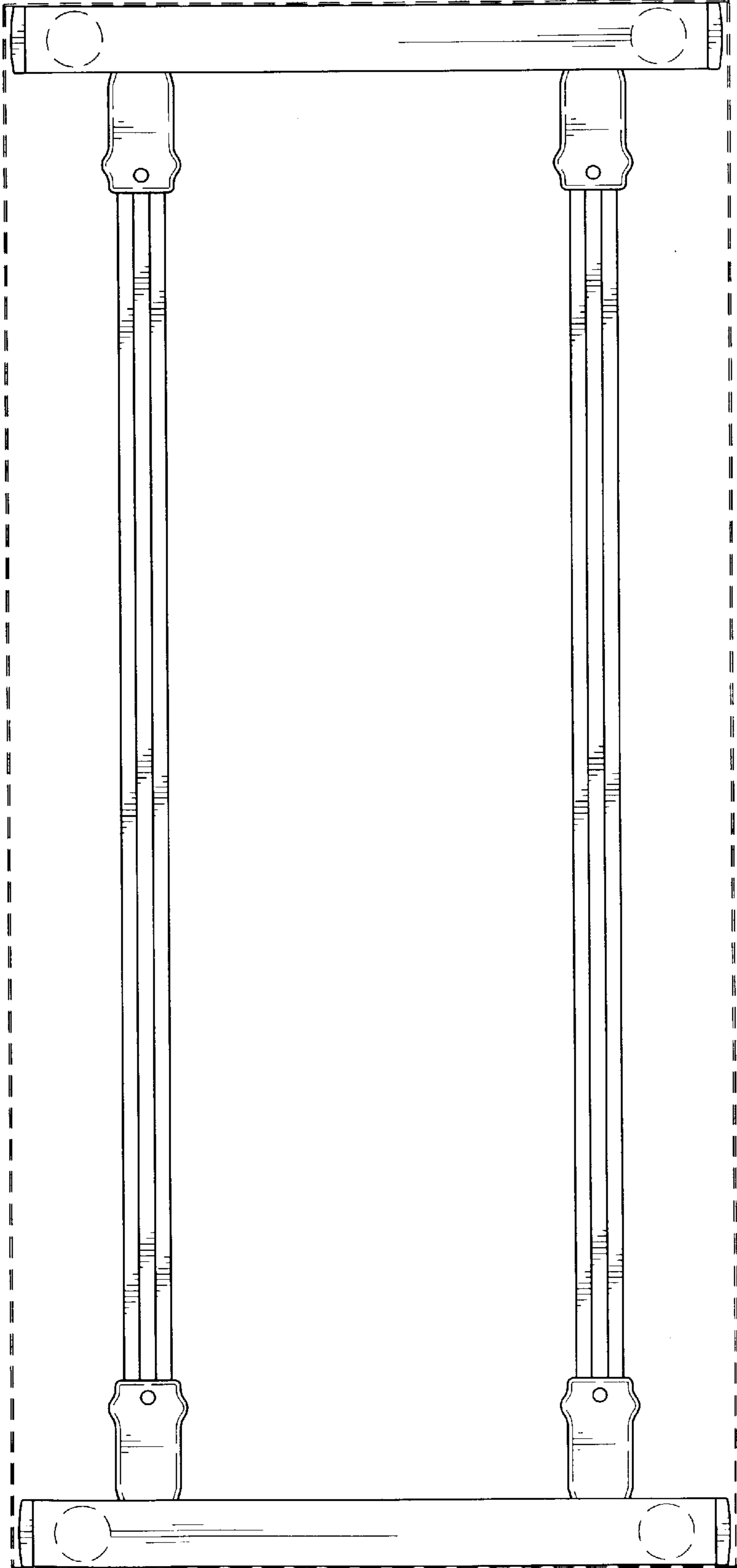
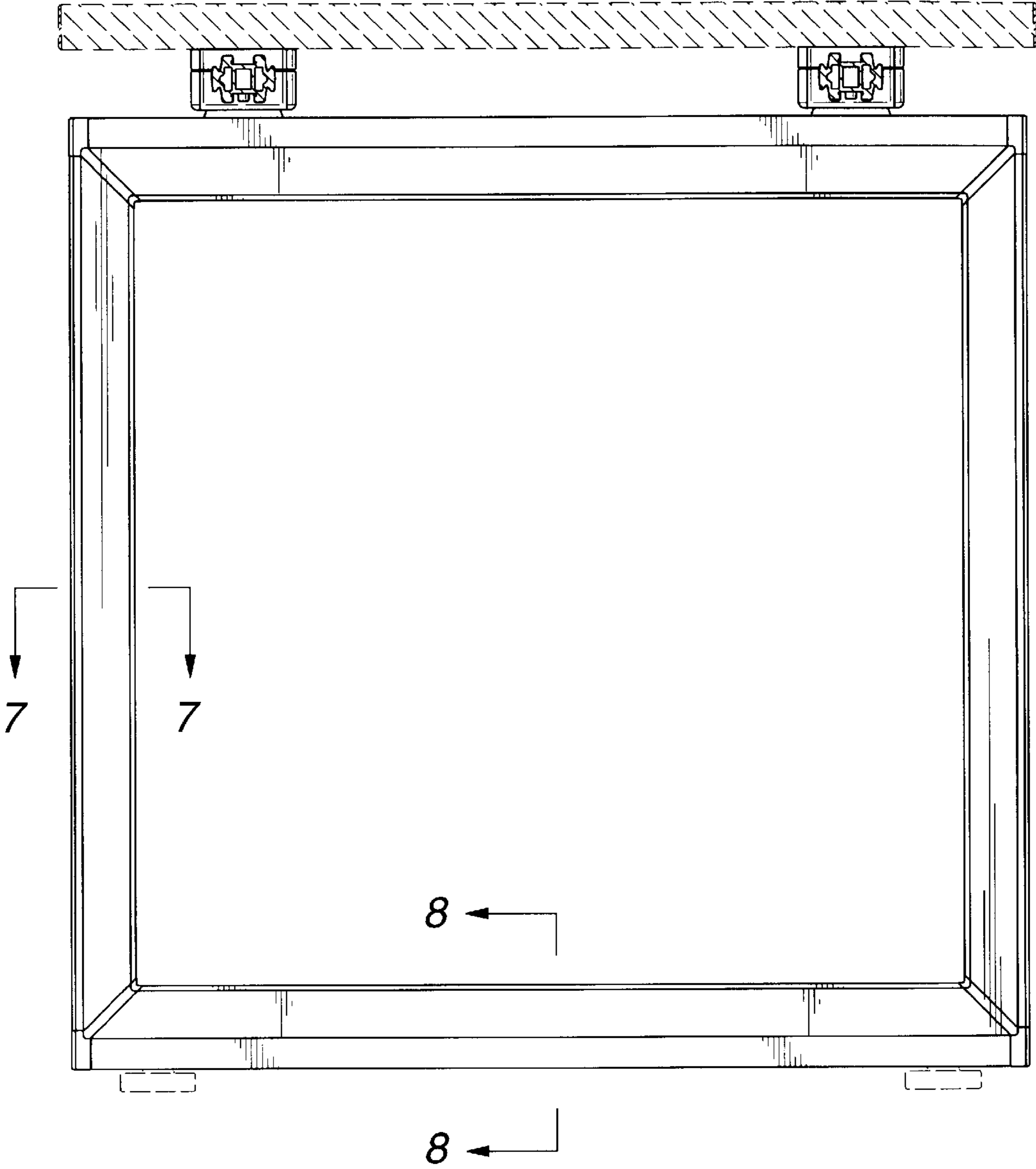


FIG. 5



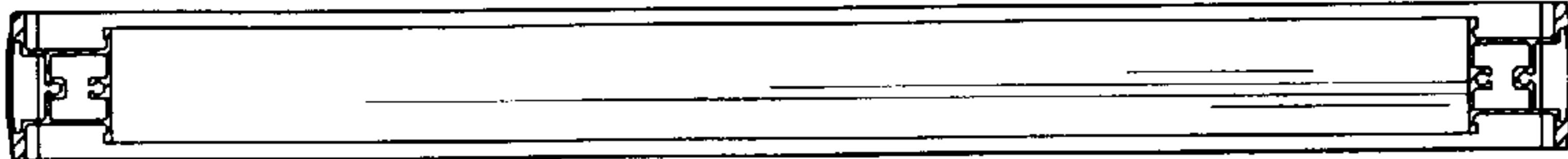


FIG. 6

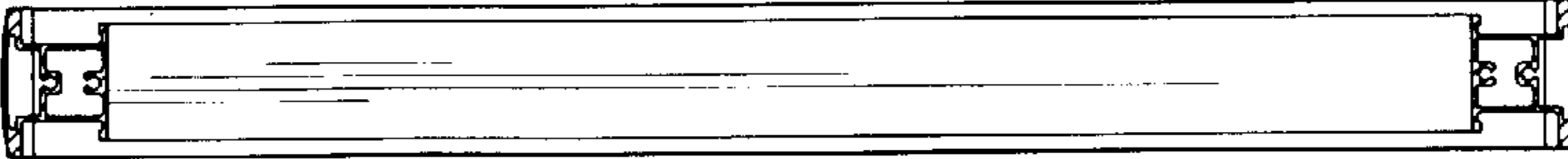


FIG. 7

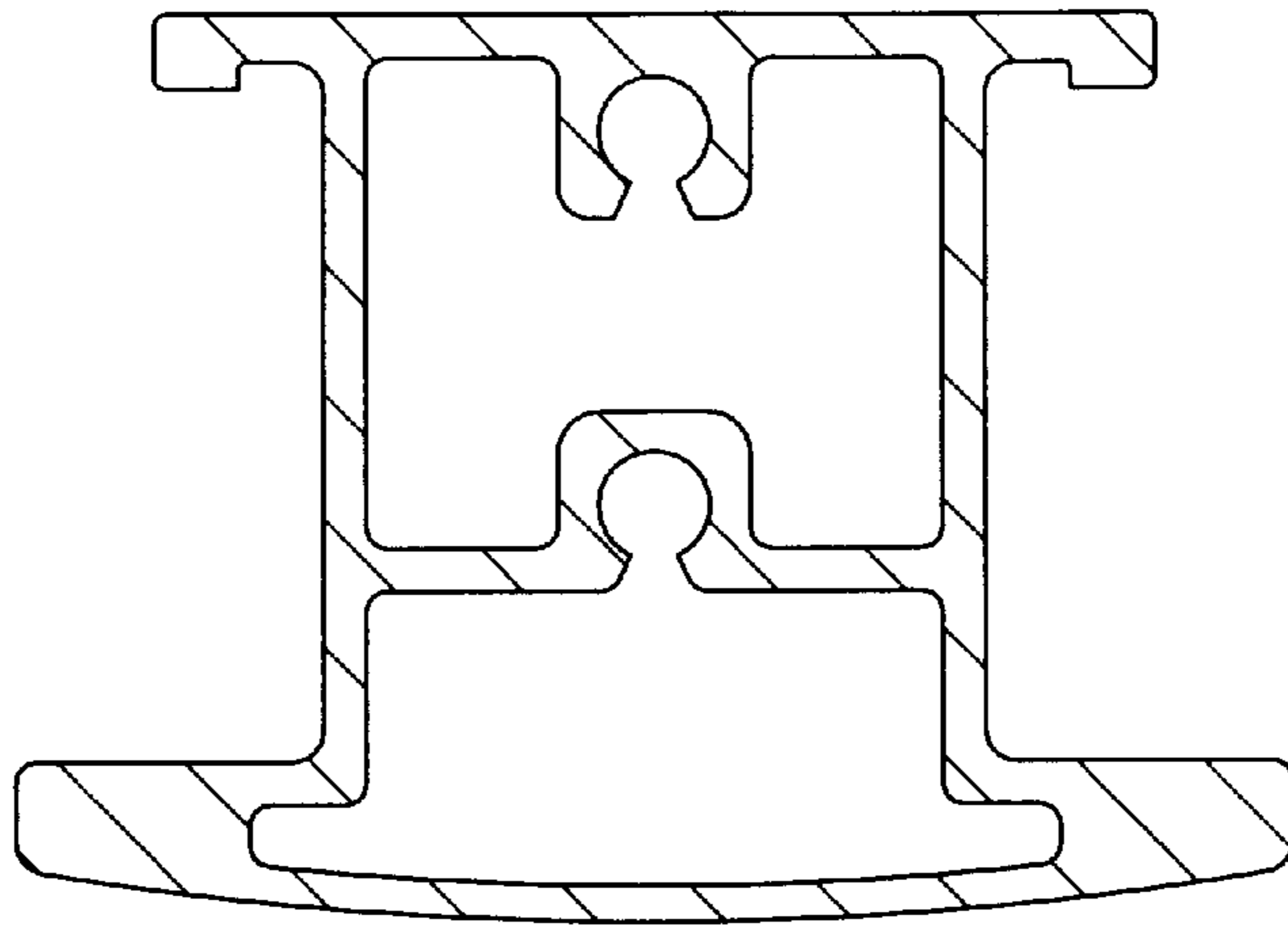


FIG. 8

