



US00D510490S

(12) **United States Design Patent**
Risdon

(10) **Patent No.:** **US D510,490 S**

(45) **Date of Patent:** **** Oct. 11, 2005**

(54) **BAR**

(75) **Inventor:** **Scott M. Risdon**, Greensboro, NC (US)

(73) **Assignee:** **Thomasville Furniture Industries, Inc.**, Thomasville, NC (US)

(**) **Term:** **14 Years**

(21) **Appl. No.:** **29/214,571**

(22) **Filed:** **Oct. 6, 2004**

(51) **LOC (8) Cl.** **06-04**

(52) **U.S. Cl.** **D6/441; D6/481; D6/434**

(58) **Field of Search** **D6/432, 436-441, D6/445-448, 481; 312/114, 204, 224**

(56) **References Cited**

U.S. PATENT DOCUMENTS

D150,548 S	*	8/1948	Buckner	D6/438
D396,582 S	*	8/1998	Ilitch et al.	D6/481
D479,412 S	*	9/2003	Berry et al.	D6/441
D480,234 S	*	10/2003	O'Hare	D6/441
D496,538 S	*	9/2004	Peterson et al.	D6/441

OTHER PUBLICATIONS

Furniture Today, Jessie McClintock Home Chest, p. 31, Oct. 16, 2000.*

Furniture Today, Stein World Chest, p. 55, Apr. 1, 2003.*

* cited by examiner

Primary Examiner—Cathron C. Brooks

(74) *Attorney, Agent, or Firm*—Womble Carlyle Sandridge & Rice, PLLC

(57) **CLAIM**

The ornamental design for a bar, as shown and described.

DESCRIPTION

FIG. 1 is a perspective view of a bar showing my new design;

FIG. 2 is a front perspective view thereof;

FIG. 3 is a side elevational view thereof;

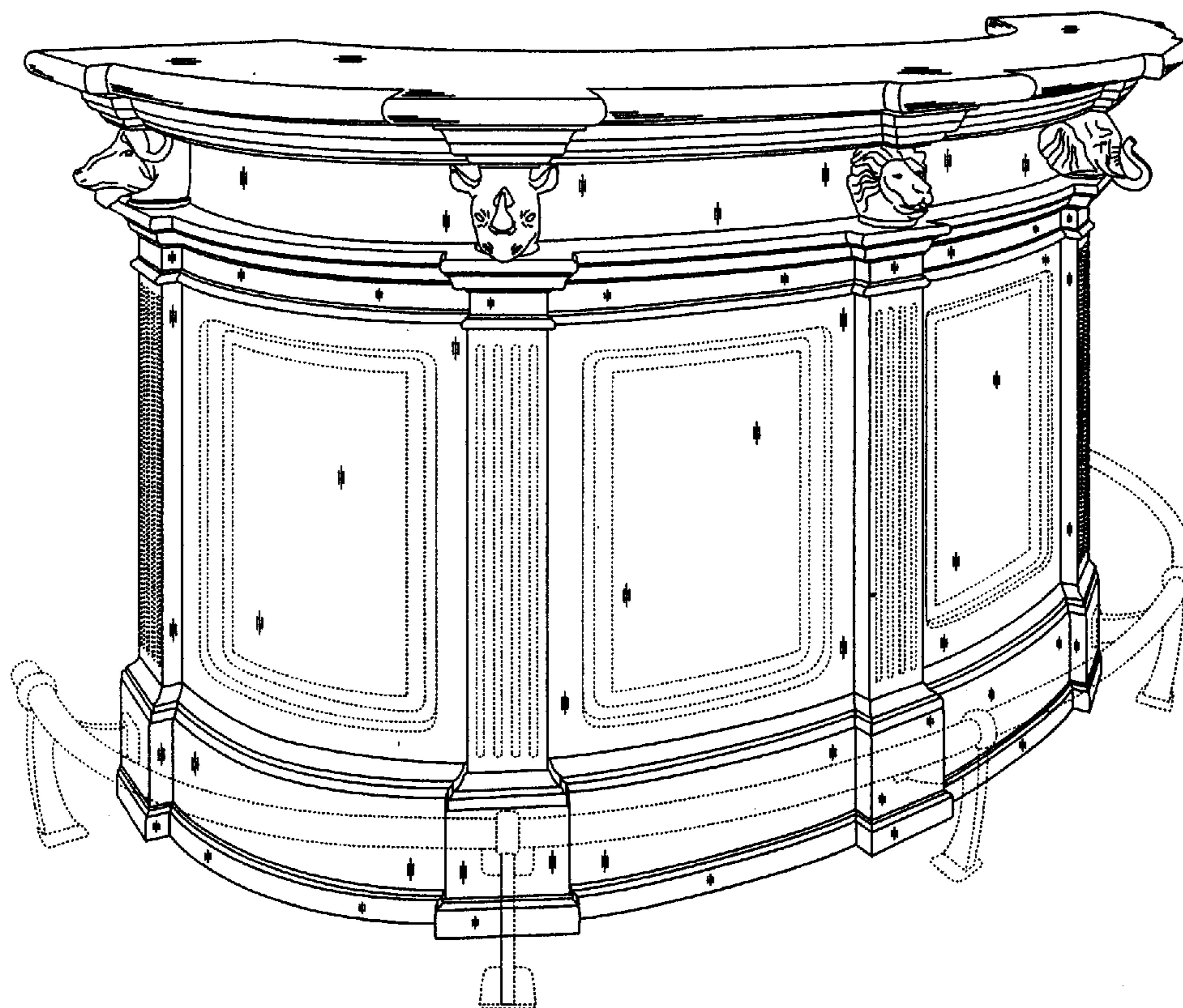
FIG. 4 is a top view thereof;

FIG. 5 is a rear perspective view thereof; and,

FIG. 6 is a perspective view of a second embodiment of a bar showing my new design with out the panel/wall behind the animals.

The views of the bar not shown form no part of the claimed design. The broken lines depicting a foot rail, fluting on posts, hardware, drawers and shelves represent environmental elements only and form no part of the claimed design.

1 Claim, 6 Drawing Sheets



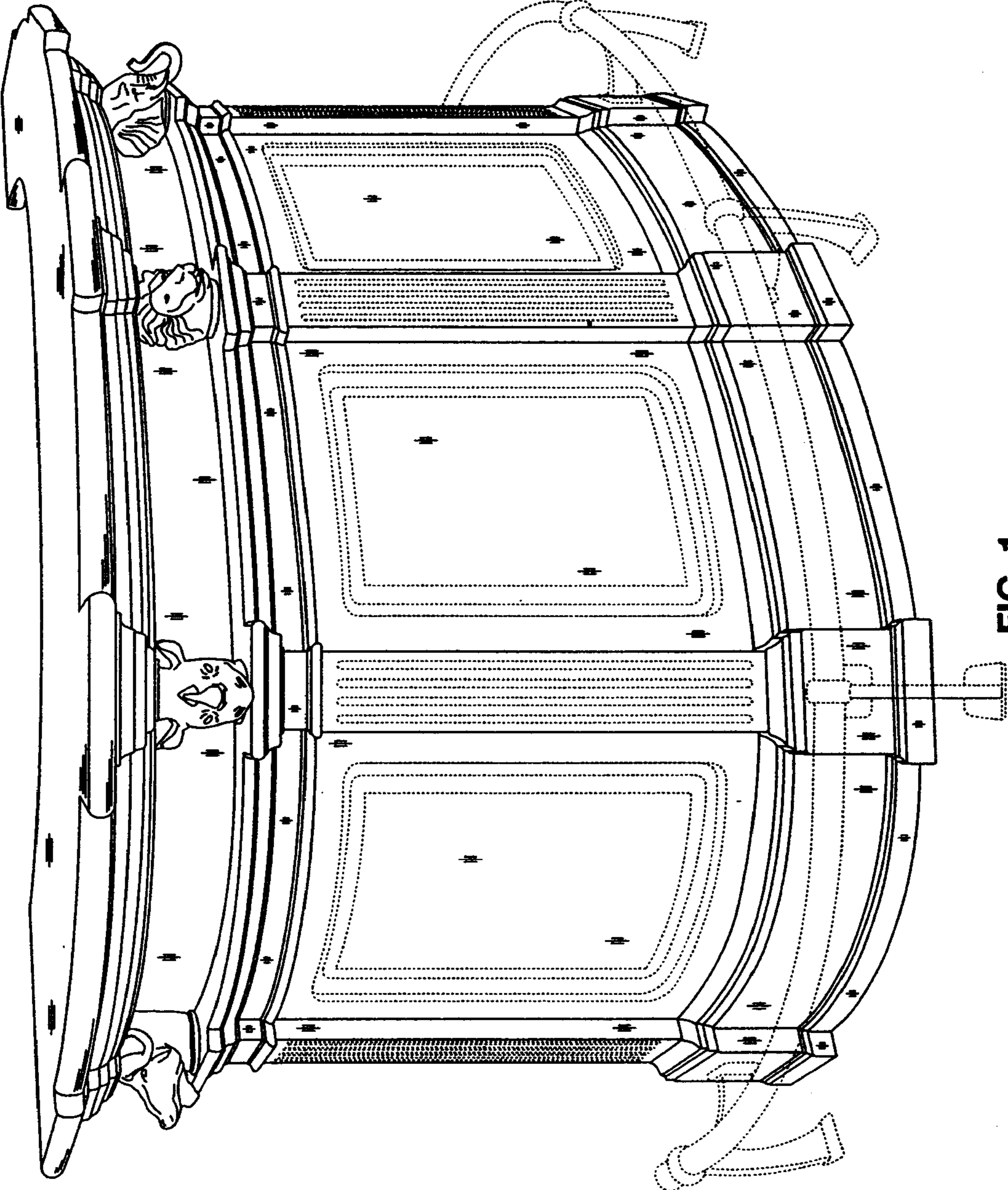


FIG. 1

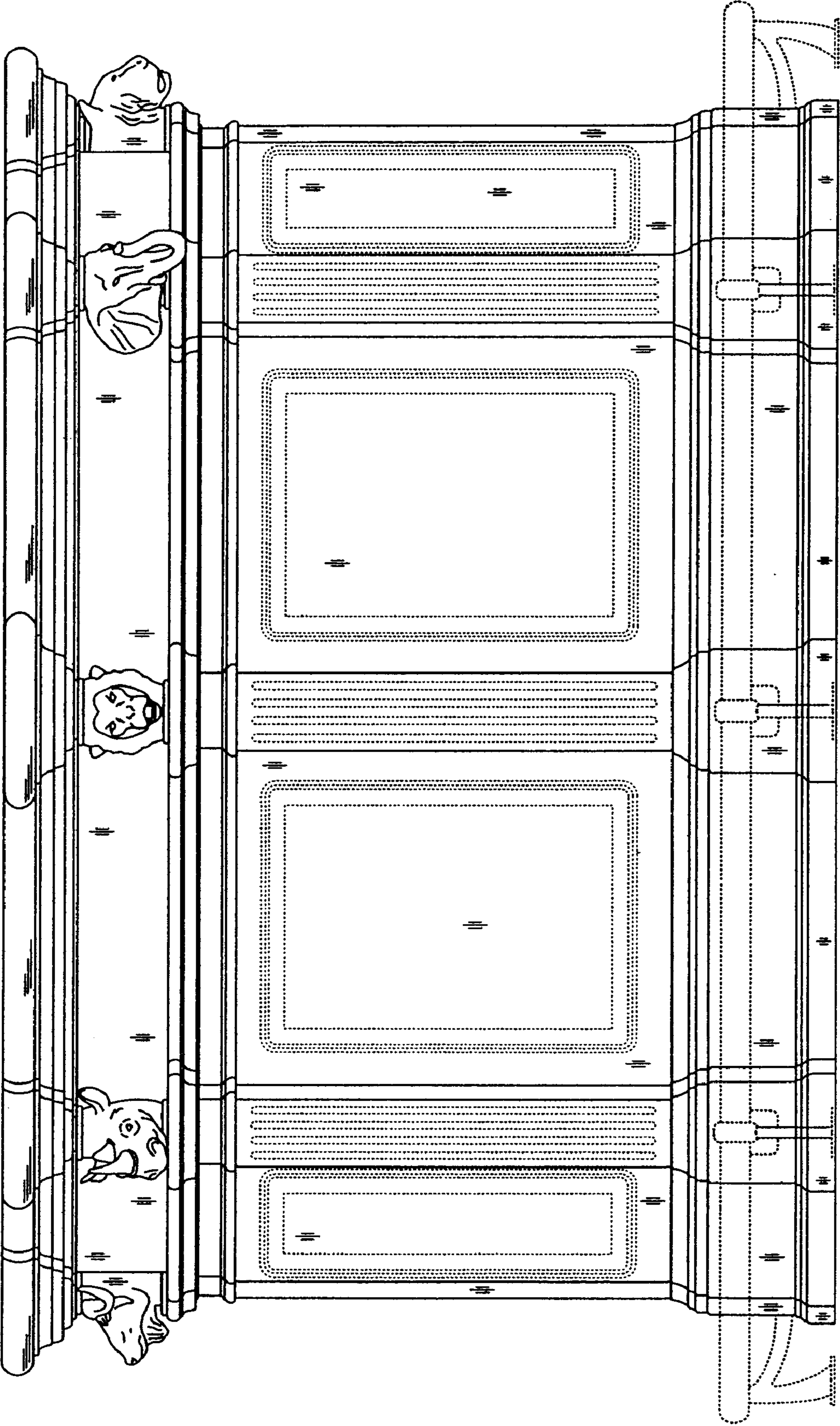


FIG. 2

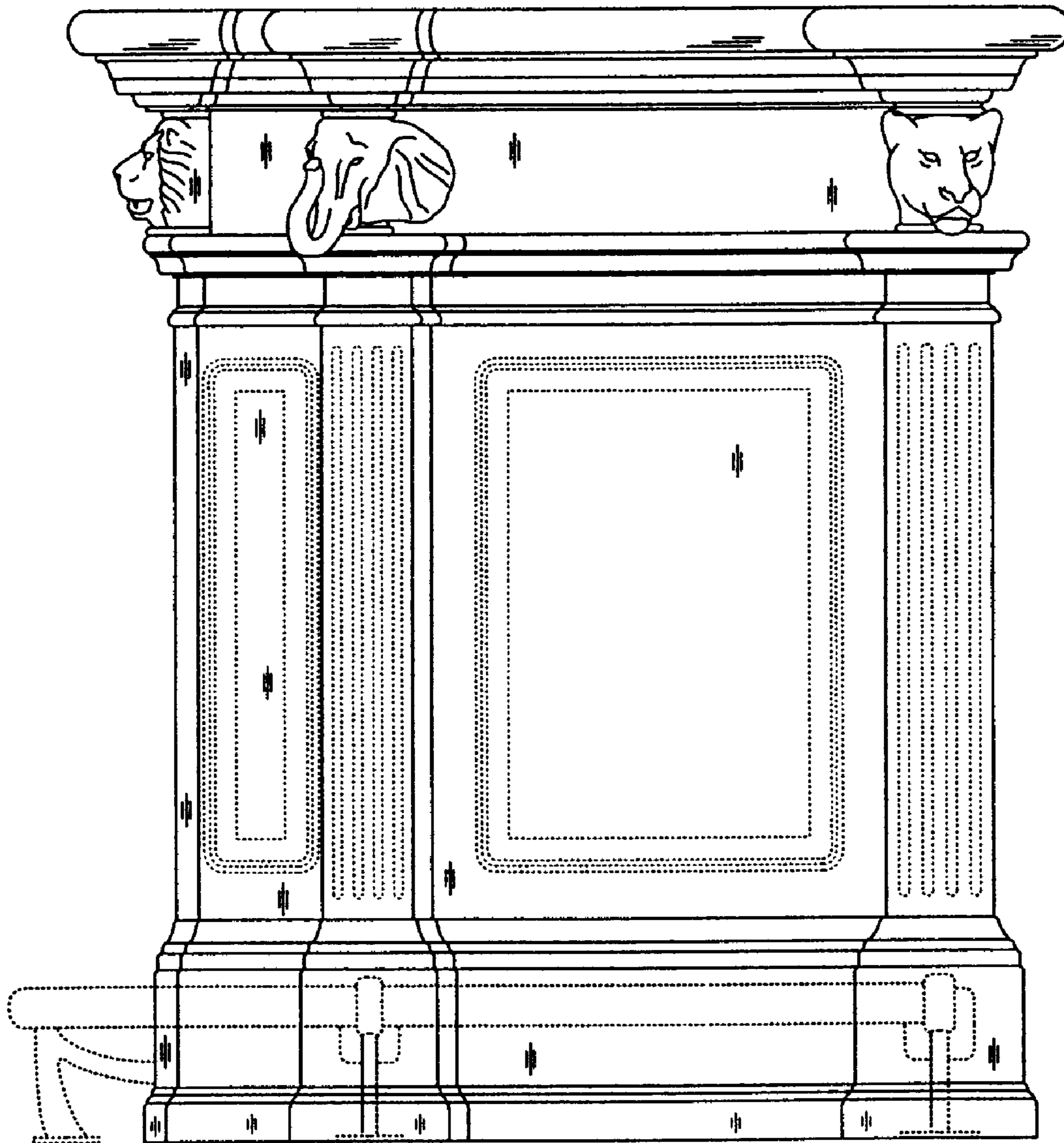


FIG. 3

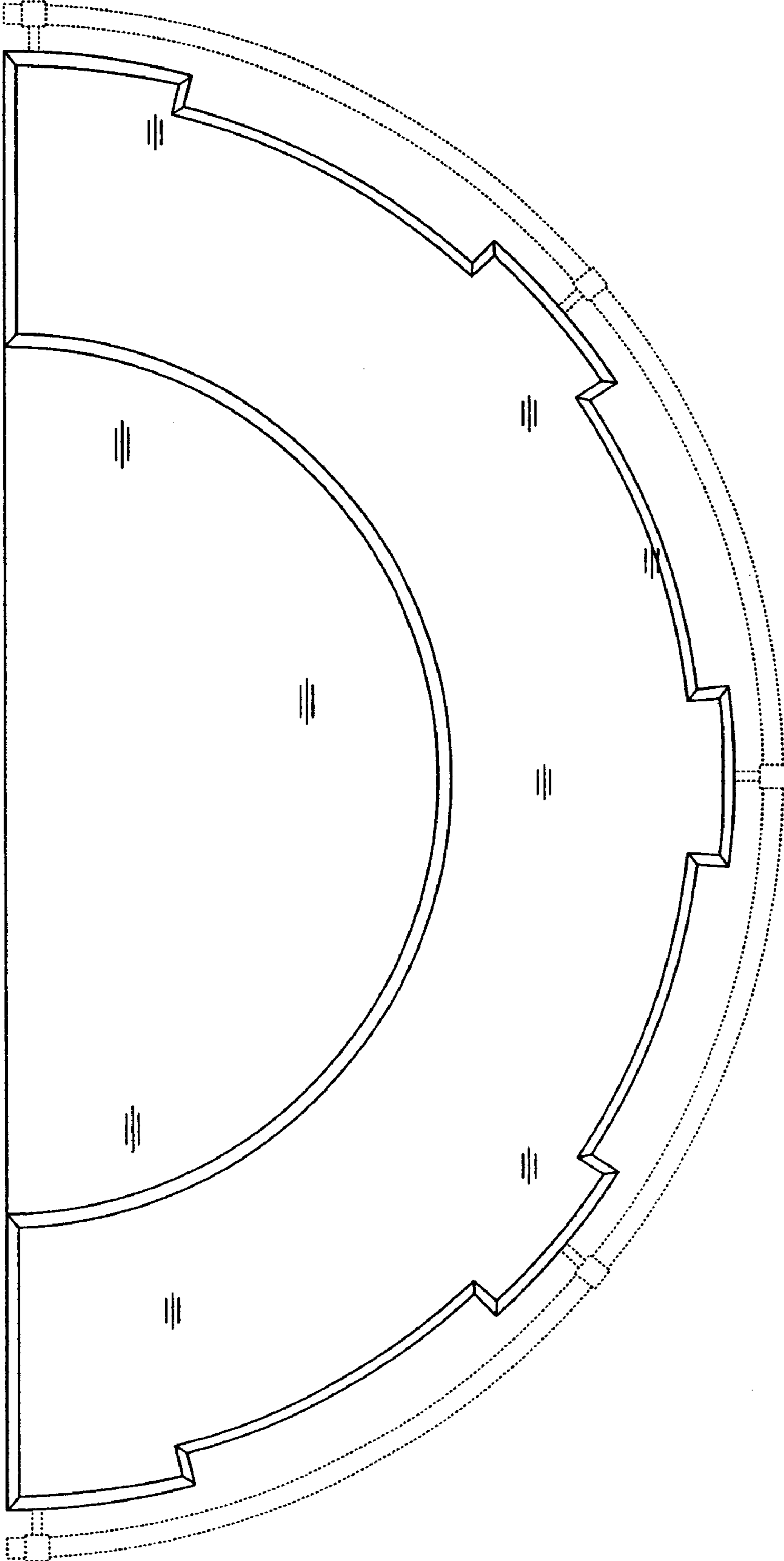


FIG. 4

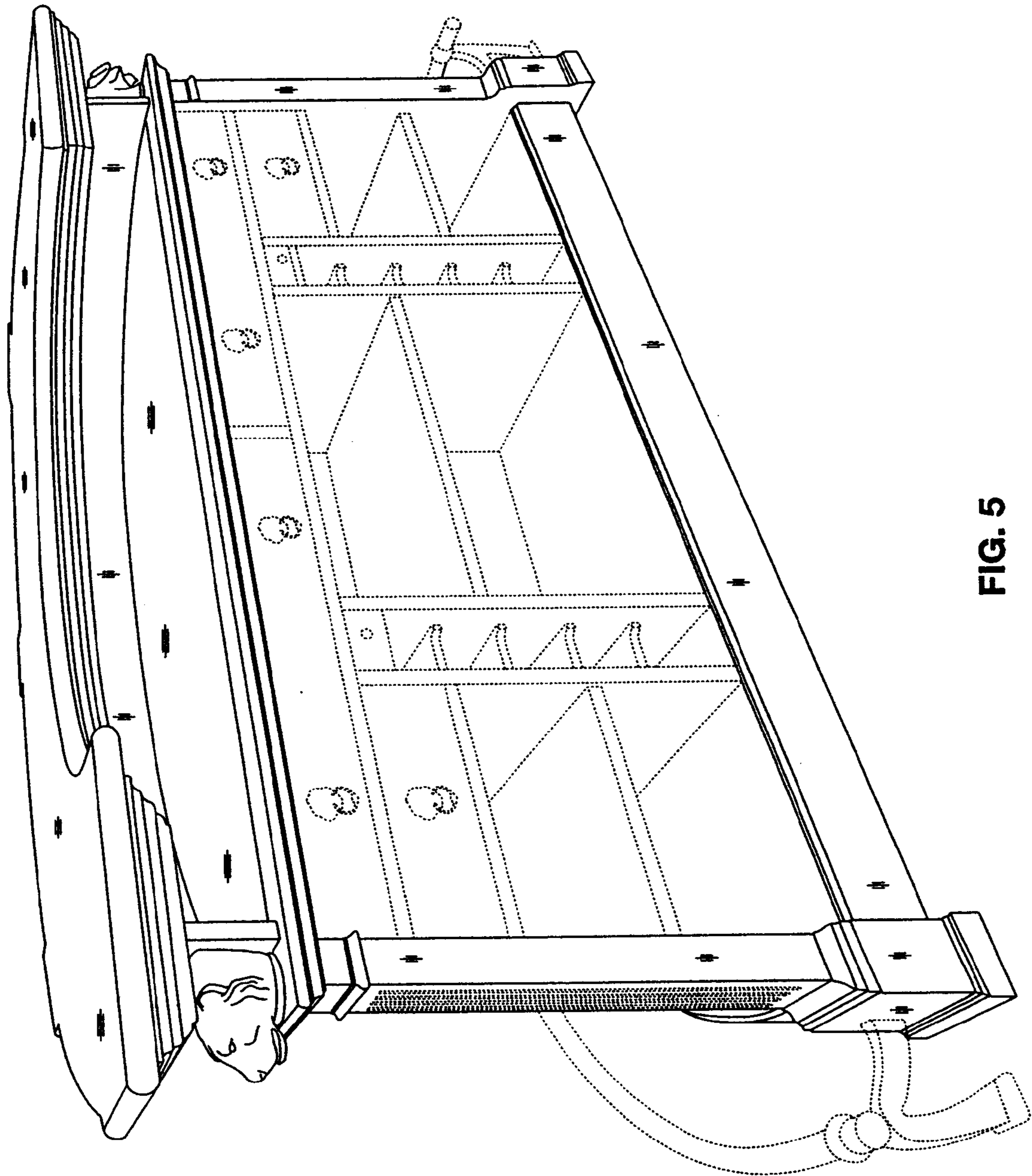


FIG. 5

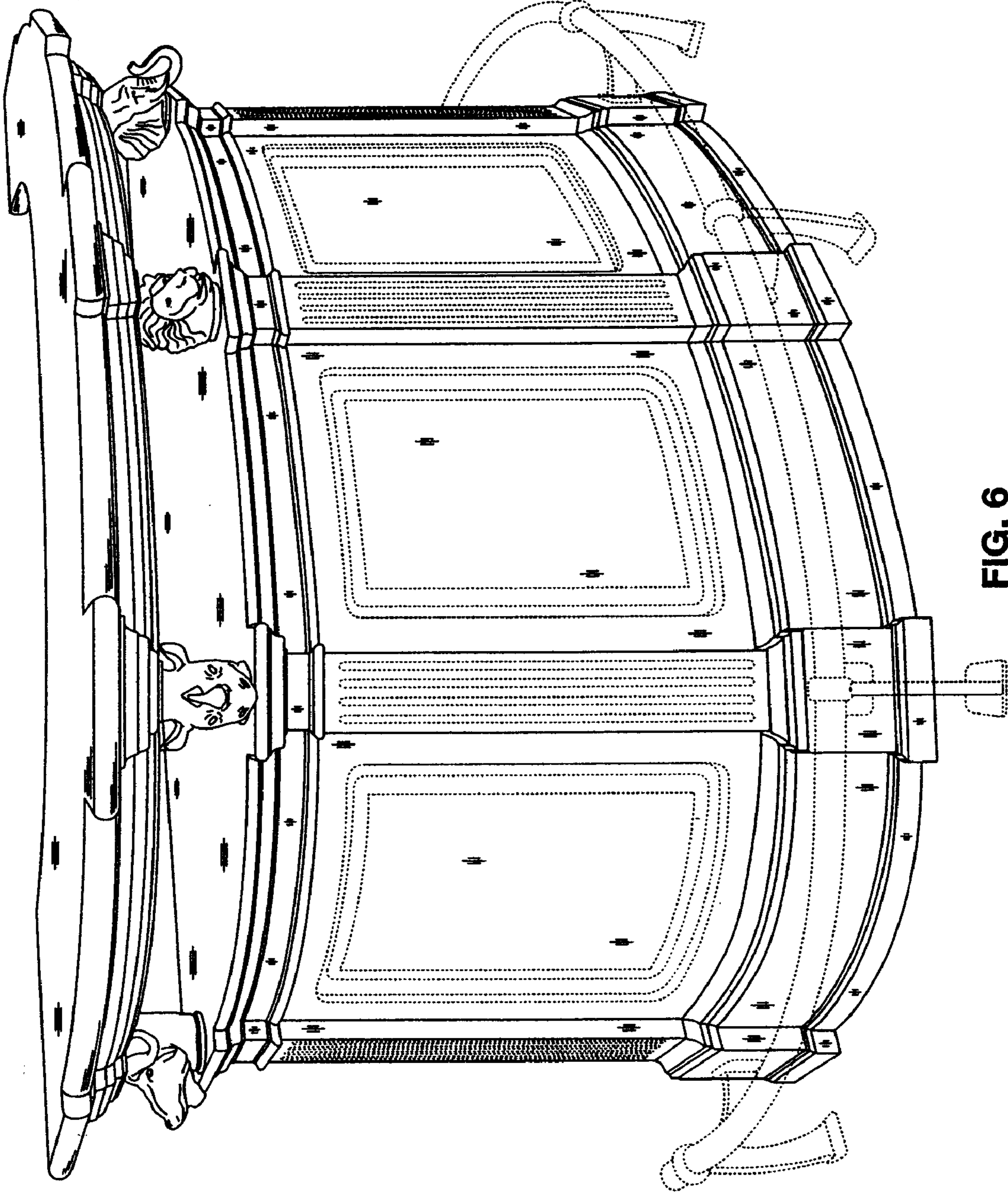


FIG. 6