



US00D510481S

(12) **United States Design Patent**
Hodgson

(10) **Patent No.:** **US D510,481 S**

(45) **Date of Patent:** **** Oct. 11, 2005**

(54) **TRAY**

(76) **Inventor:** **Harley C. Hodgson**, 3523 Rambling Oaks Dr., Norman, OK (US) 73072

(**) **Term:** **14 Years**

(21) **Appl. No.:** **29/215,494**

(22) **Filed:** **Oct. 21, 2004**

(51) **LOC (8) Cl.** **03-01**

(52) **U.S. Cl.** **D3/304; D3/313**

(58) **Field of Search** **D3/304-315; D6/574; D19/92, 100; 206/203, 555, 501, 503, 518, 557, 564, 821, 822; 211/126.1, 126.7, 126.12, 126.16; 229/407**

(56) **References Cited**

U.S. PATENT DOCUMENTS

896,432 A	*	8/1908	Booth	206/369
1,394,224 A		10/1921	Scott		
1,623,877 A	*	4/1927	Kjetsaa	132/315
D122,589 S	*	9/1940	Bastress	D7/553.5
3,516,425 A		6/1970	Rigal		
4,708,274 A		11/1987	Roche		
4,800,911 A		1/1989	Endres et al.		
4,946,058 A		8/1990	Stamm		

5,217,032 A		6/1993	Jobst		
5,273,063 A		12/1993	Farr et al.		
D396,953 S	*	8/1998	Iversen et al.	D3/310
6,145,524 A		11/2000	Li et al.		

FOREIGN PATENT DOCUMENTS

GB 2196243 4/1988

* cited by examiner

Primary Examiner—Louis S. Zarfes

Assistant Examiner—John Windmuller

(74) *Attorney, Agent, or Firm*—Stephen R. Greiner

(57) **CLAIM**

The ornamental design for a tray, as shown and described.

DESCRIPTION

FIG. 1 is a perspective view of a tray showing my new design;

FIG. 2 is a left side elevational view thereof;

FIG. 3 is a top view thereof;

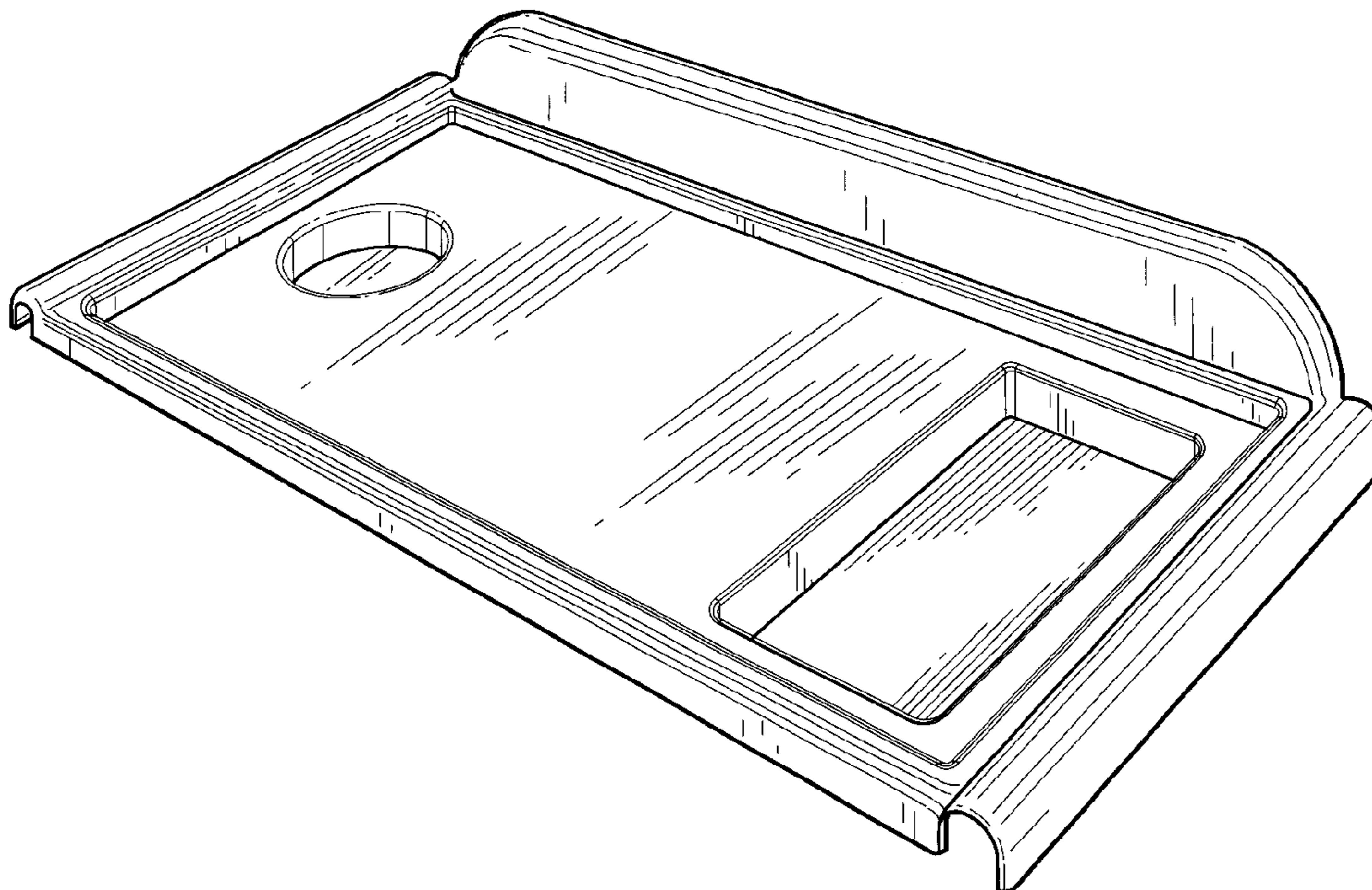
FIG. 4 is a bottom view thereof;

FIG. 5 is a front elevational view thereof;

FIG. 6 is a rear elevational view thereof; and,

FIG. 7 is a right side elevational view thereof.

1 Claim, 2 Drawing Sheets



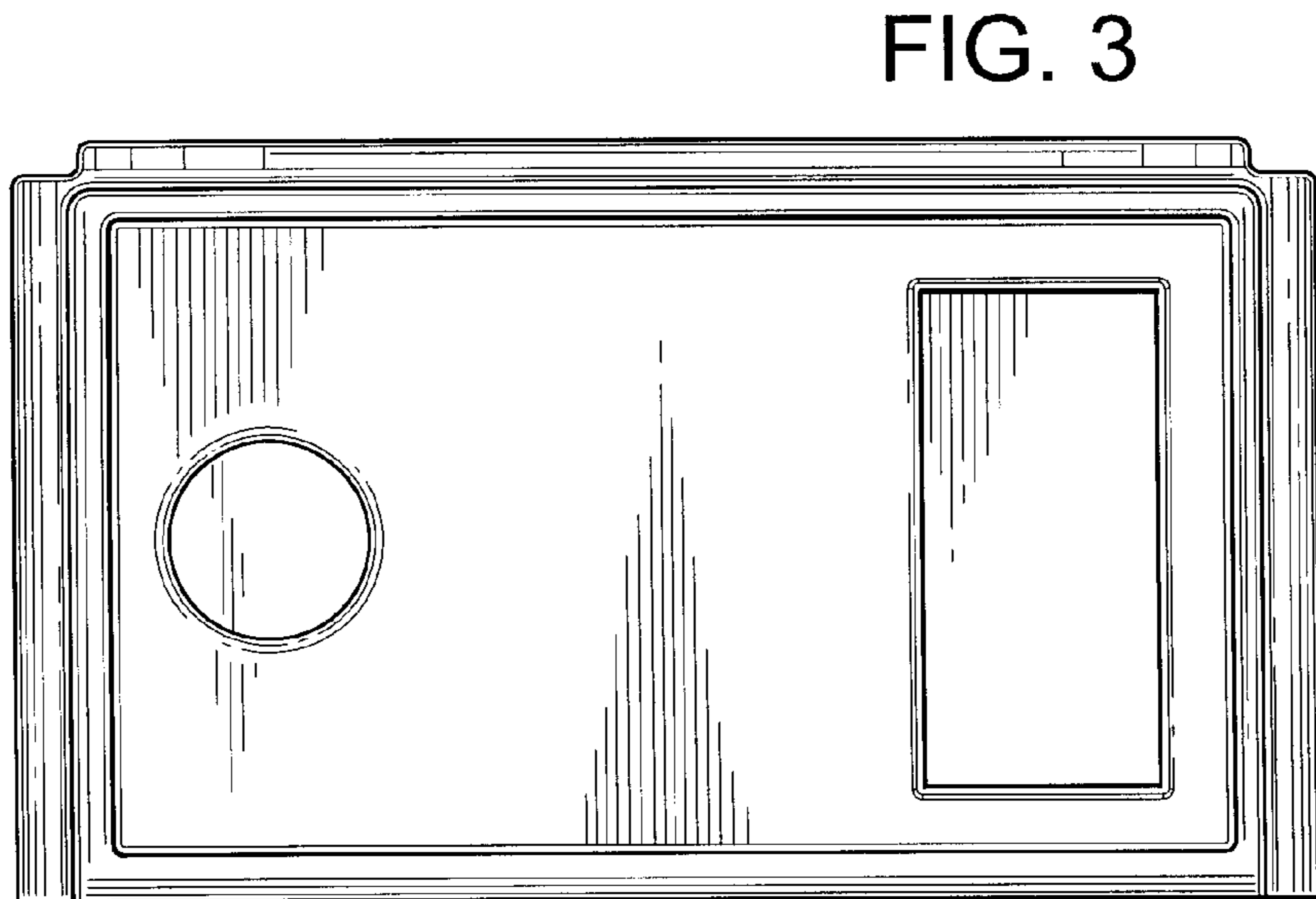
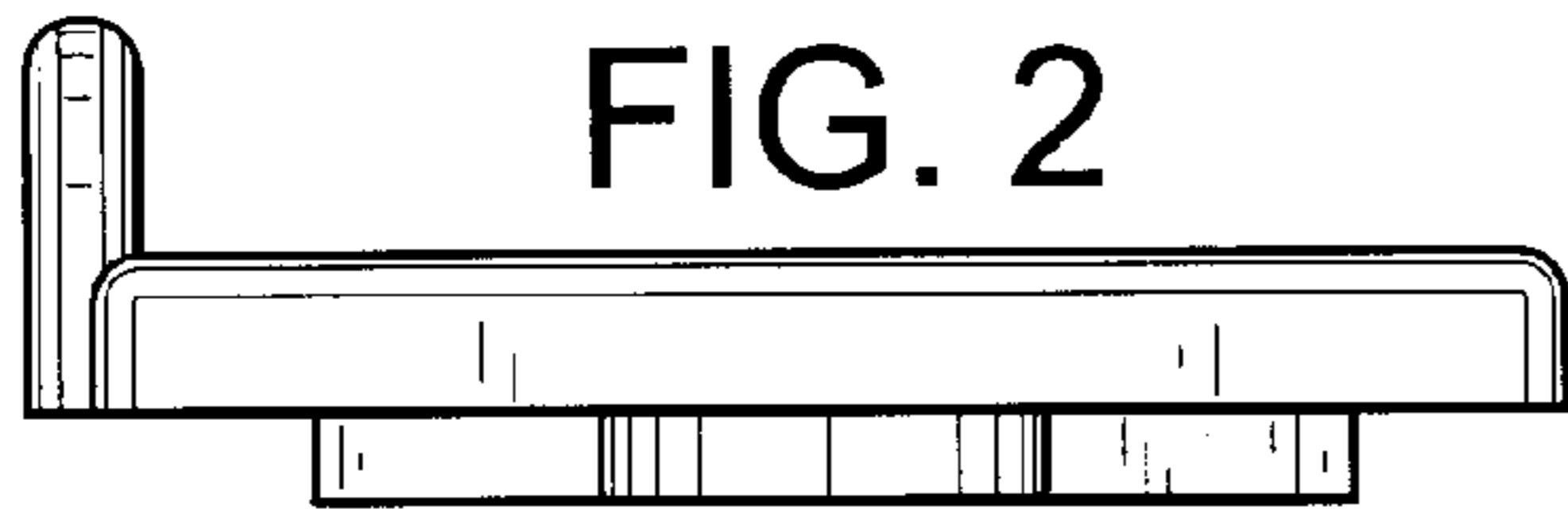
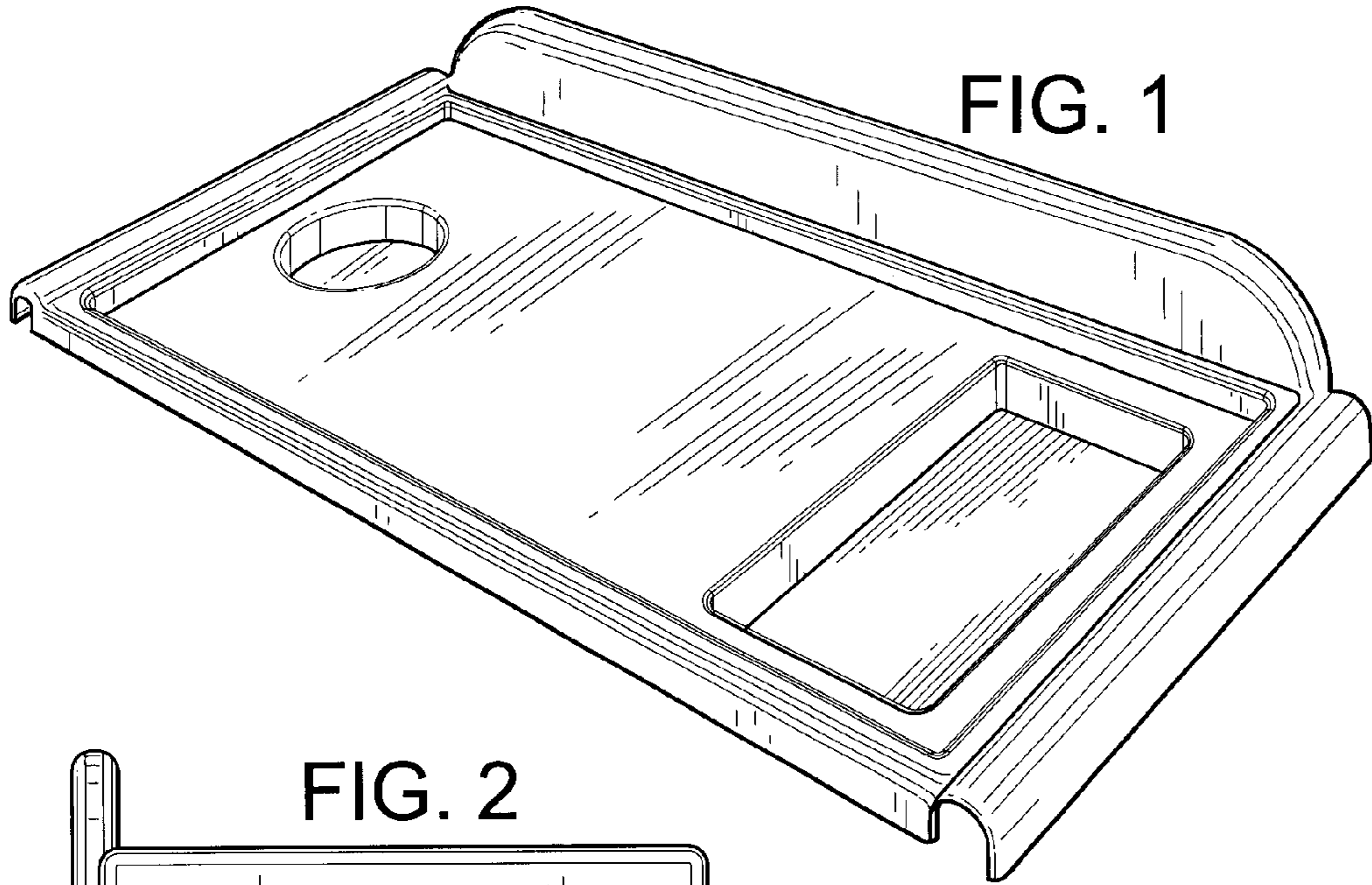


FIG. 4

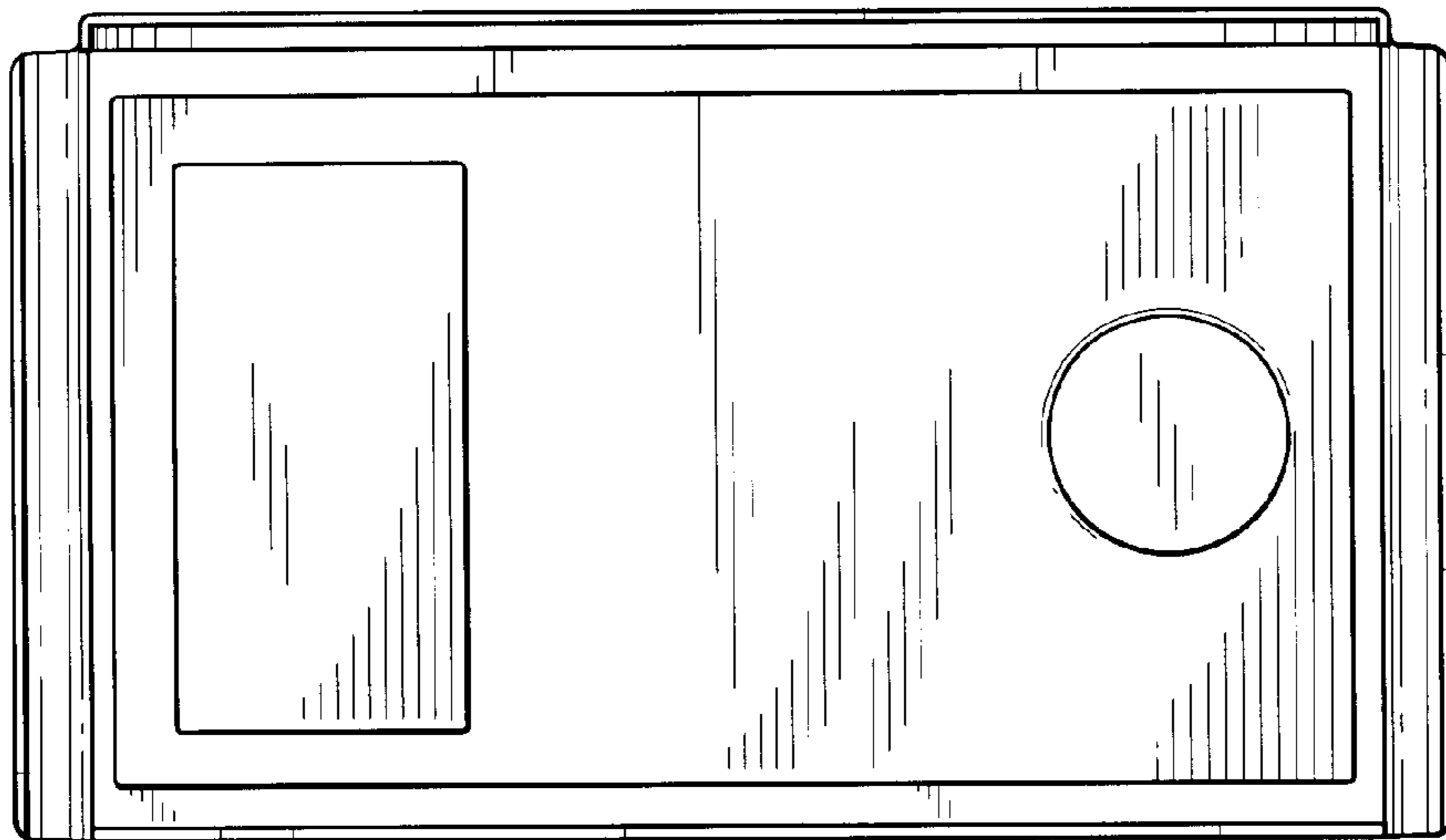


FIG. 5

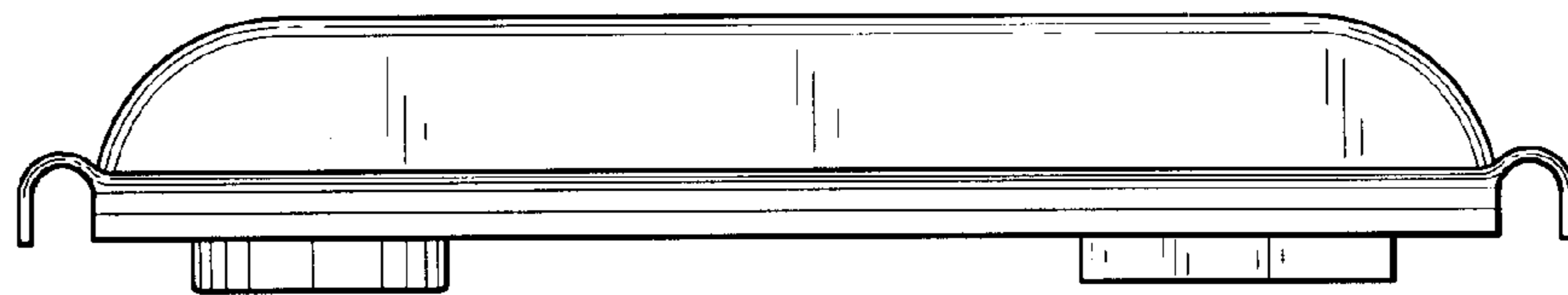


FIG. 6

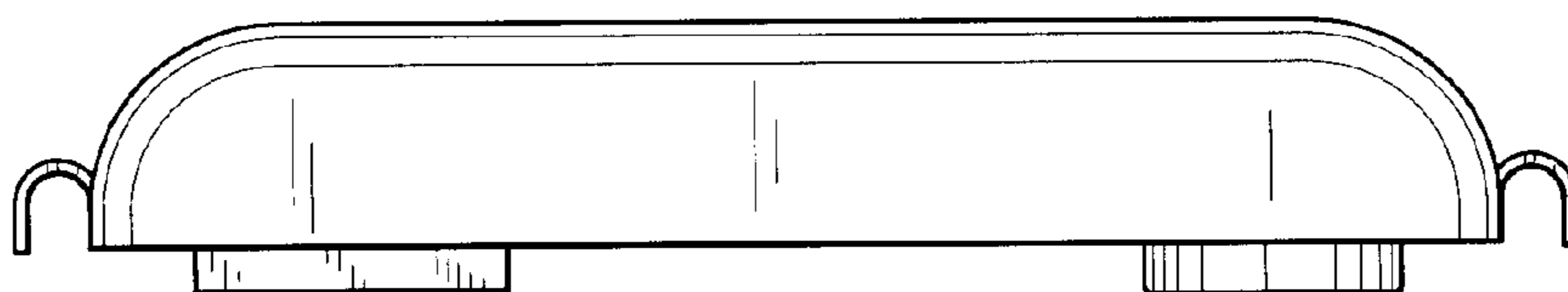


FIG. 7

