

US00D510467S

(12) **United States Design Patent** (10) **Patent No.:** **US D510,467 S**
Kizaki et al. (45) **Date of Patent:** **** Oct. 4, 2005**

(54) **CLEANER**

(75) Inventors: **Hidesato Kizaki**, Tokyo (JP); **Hirotohi Tawara**, Tokyo (JP); **Yukio Noda**, Tokyo (JP)

(73) Assignee: **Kao Corporation**, Tokyo (JP)

(**) Term: **14 Years**

(21) Appl. No.: **29/161,289**

(22) Filed: **May 28, 2002**

(30) **Foreign Application Priority Data**

Nov. 28, 2001 (JP) 2001-034914

(51) **LOC (8) Cl.** **15-05**

(52) **U.S. Cl.** **D32/38**

(58) **Field of Search** D32/38, 39; 15/27, 15/41.1, 44-46, 48, 50.3, 52.1, 104.002, 179, 183

(56) **References Cited**

U.S. PATENT DOCUMENTS

- 21,673 A * 10/1858 Harris 15/41.1
- 293,989 A * 2/1884 Travis 15/41.1
- 298,352 A * 5/1884 Conde 15/27
- 1,081,375 A * 12/1913 Evert 15/179 X
- 1,283,355 A * 10/1918 Szewczuk 15/46
- 5,375,284 A * 12/1994 Deimel et al. 15/41.1

FOREIGN PATENT DOCUMENTS

EP 1203556 * 5/2002 A47L/11/33

* cited by examiner

Primary Examiner—Alan P. Douglas
Assistant Examiner—Lavone D. Tabor

(74) *Attorney, Agent, or Firm*—Oblon, Spivak, McClelland, Maier & Neustadt, P.C.

(57) **CLAIM**

The ornamental design for a cleaner, as shown and described.

DESCRIPTION

This article is a hand cleaner to be used with rolled sticky sheet accommodated inside.

FIG. 1 is a perspective view of the cleaner;
 FIG. 2 is a front view thereof;
 FIG. 3 is a rear view thereof;
 FIG. 4 is a right side view thereof;
 FIG. 5 is an enlarged top plan view thereof;
 FIG. 6 is an enlarged plan view taken along line 6—6 of FIG. 2;
 FIG. 7 is an enlarged bottom view thereof;
 FIG. 8 is an enlarged front view of the head portion;
 FIG. 9 is an enlarged rear view of the head portion;
 FIG. 10 an enlarged right side view of the head portion;
 FIG. 11 is an enlarged front view of the handle;
 FIG. 12 is an enlarged rear view of the handle;
 FIG. 13 is an enlarged right side view of the handle;
 FIG. 14 is an enlarged perspective view of the handle; and,
 FIG. 15 is an enlarged perspective view of the head portion.
 The cleaner is partially shown in FIGS. 6 and 8–15 for clarity of illustration only.

The broken lines are shown in the views for illustrative purpose only and form no part of the claimed design.

1 Claim, 10 Drawing Sheets

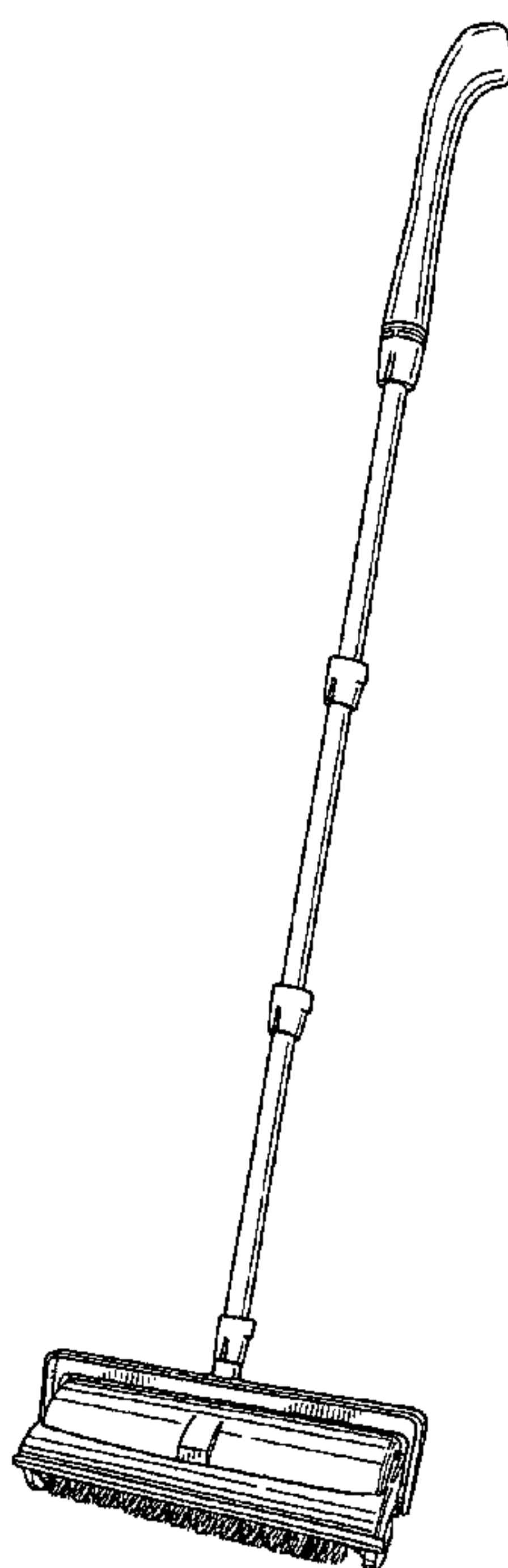


FIG. 1

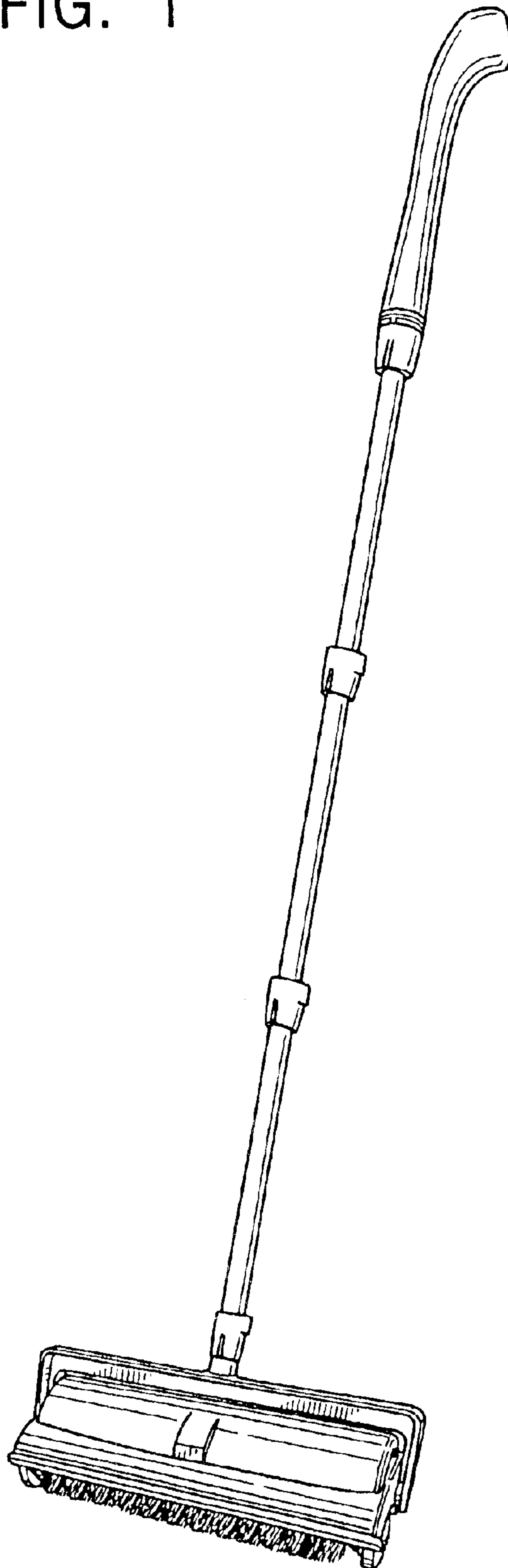


FIG. 2

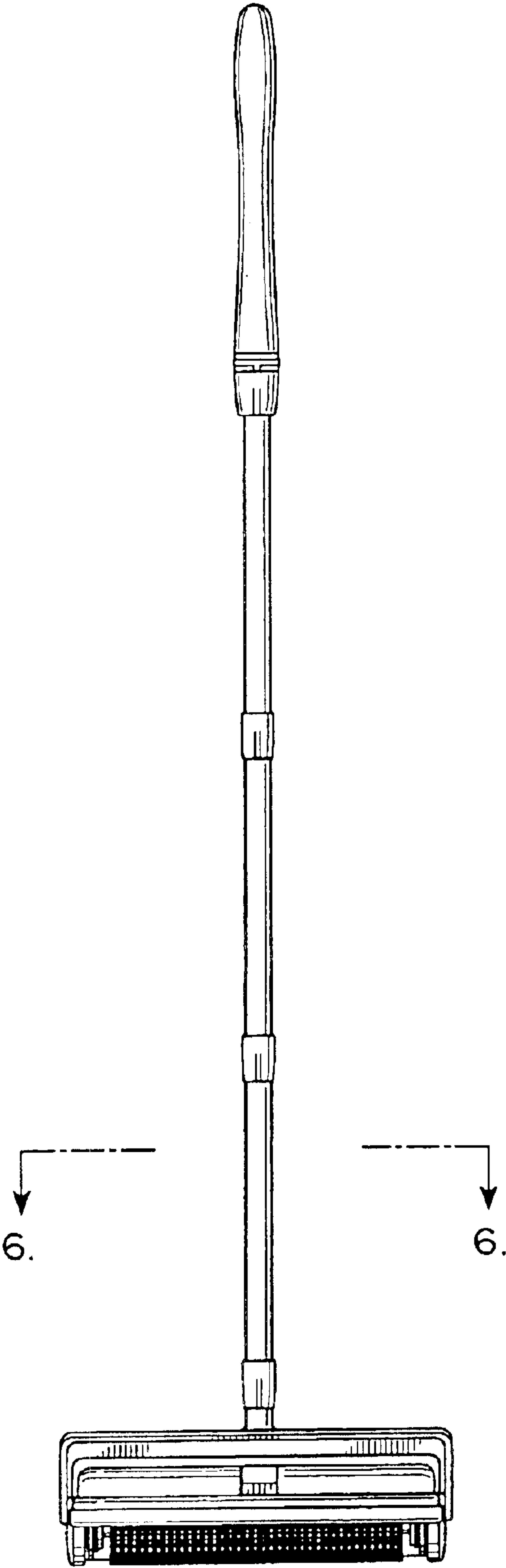


FIG. 3

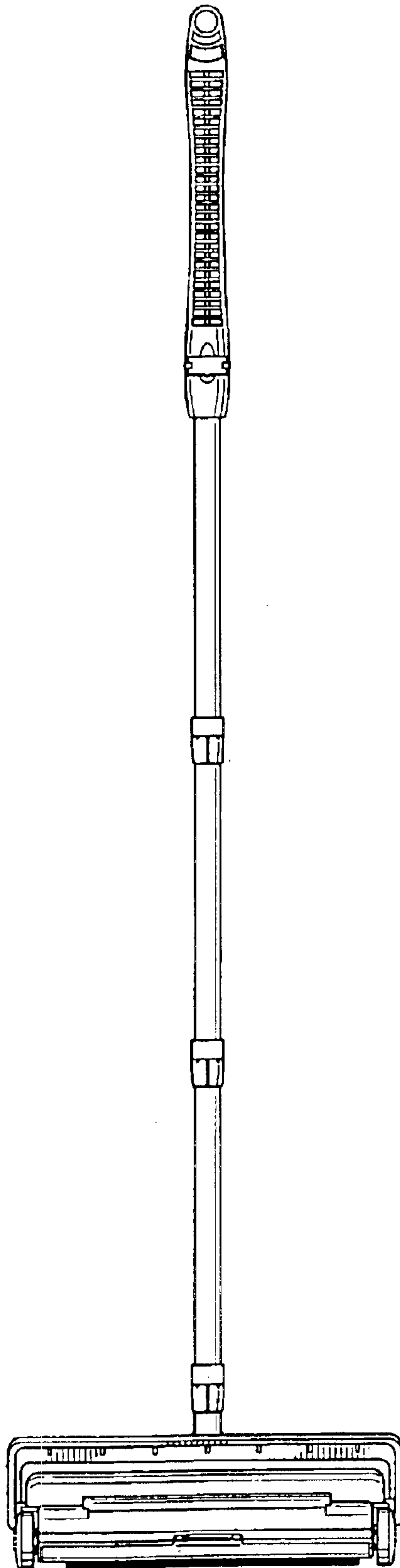


FIG. 4

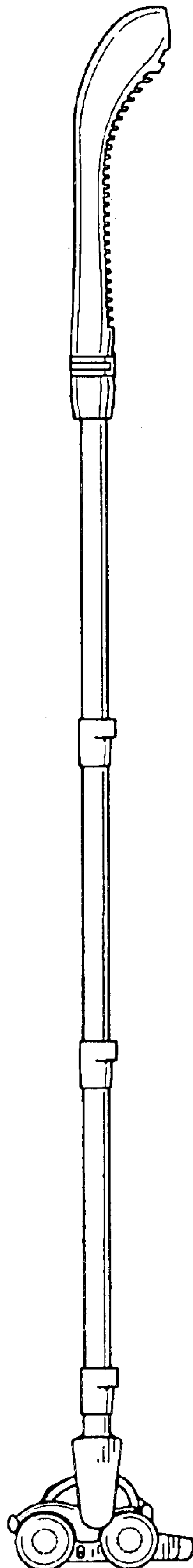


FIG. 5

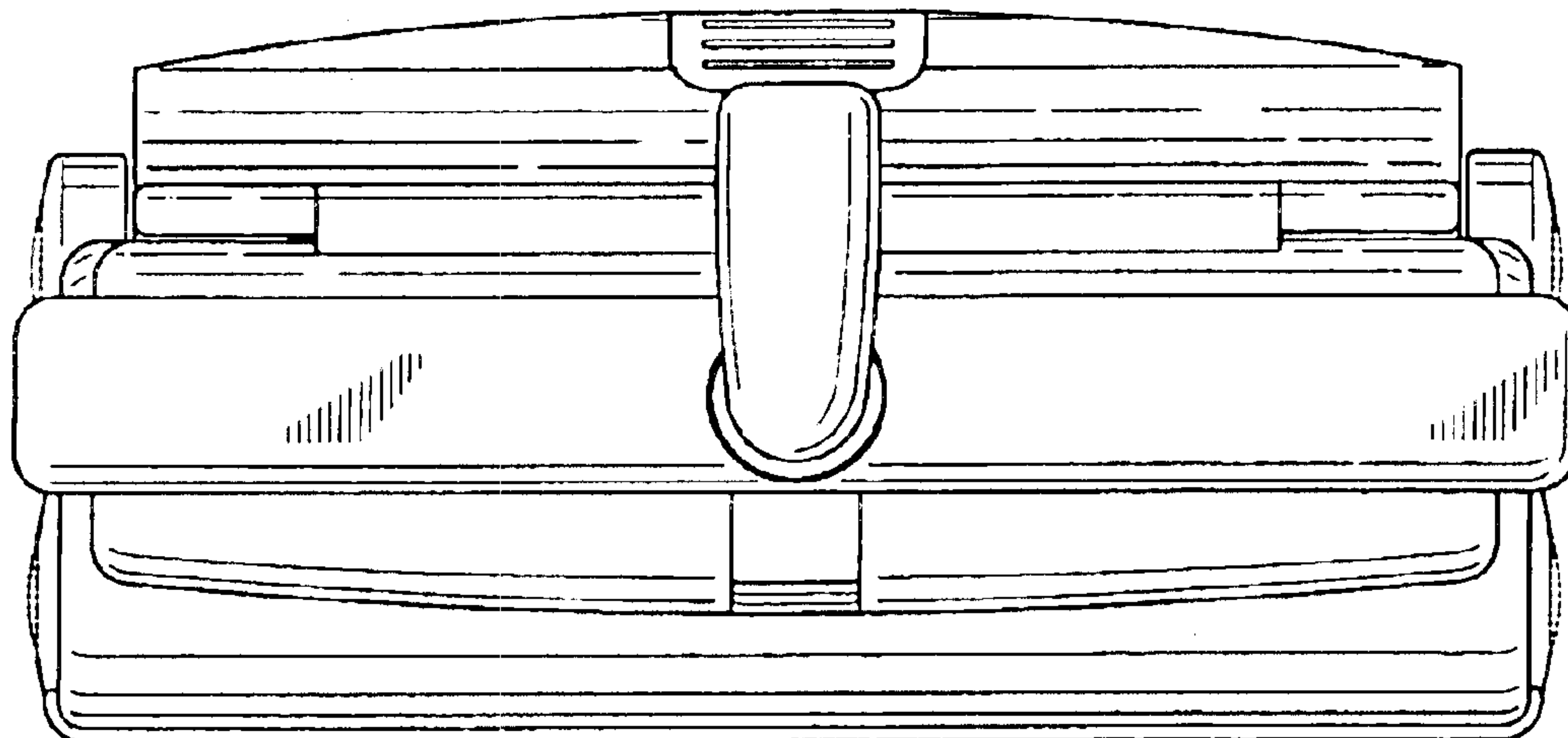


FIG. 6

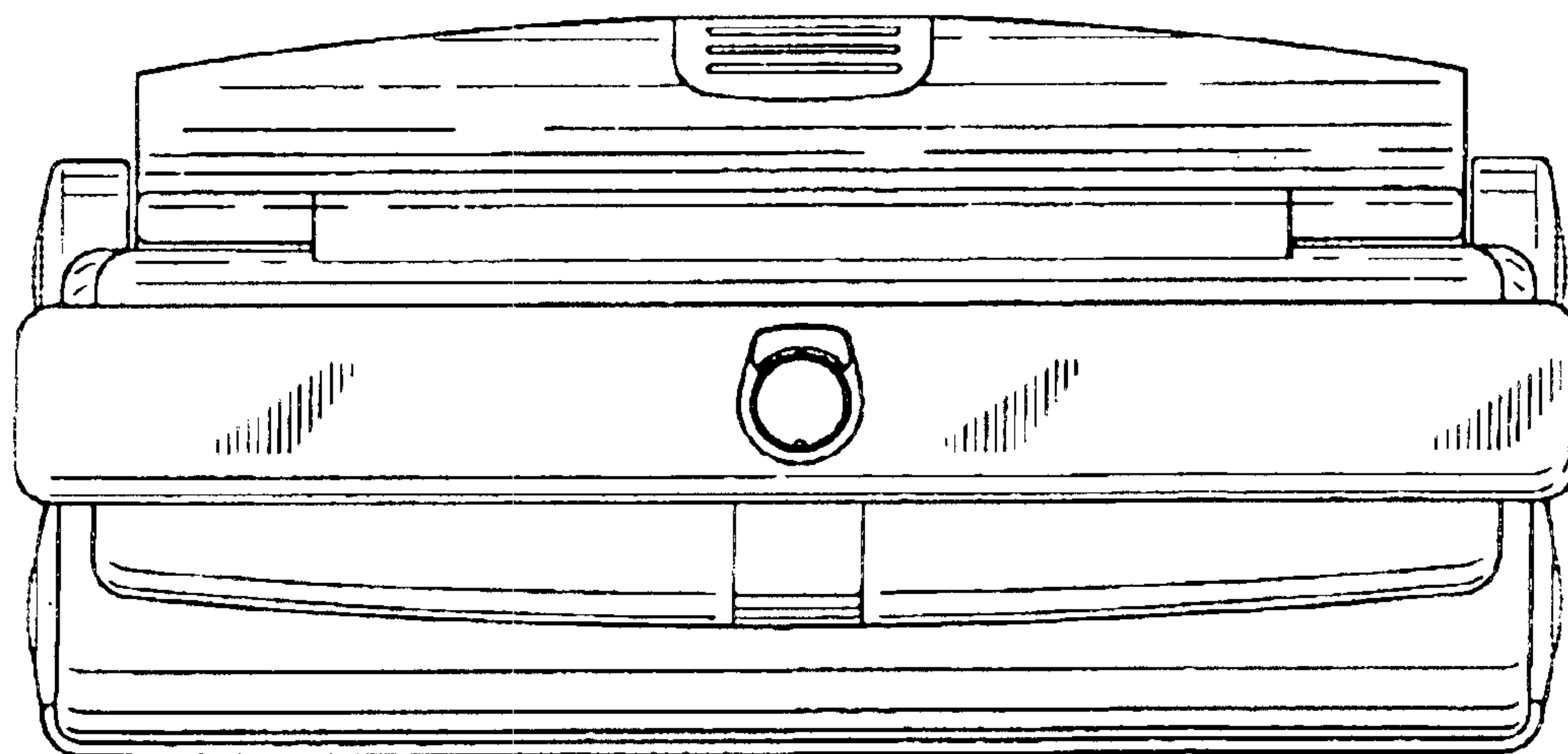


FIG. 7

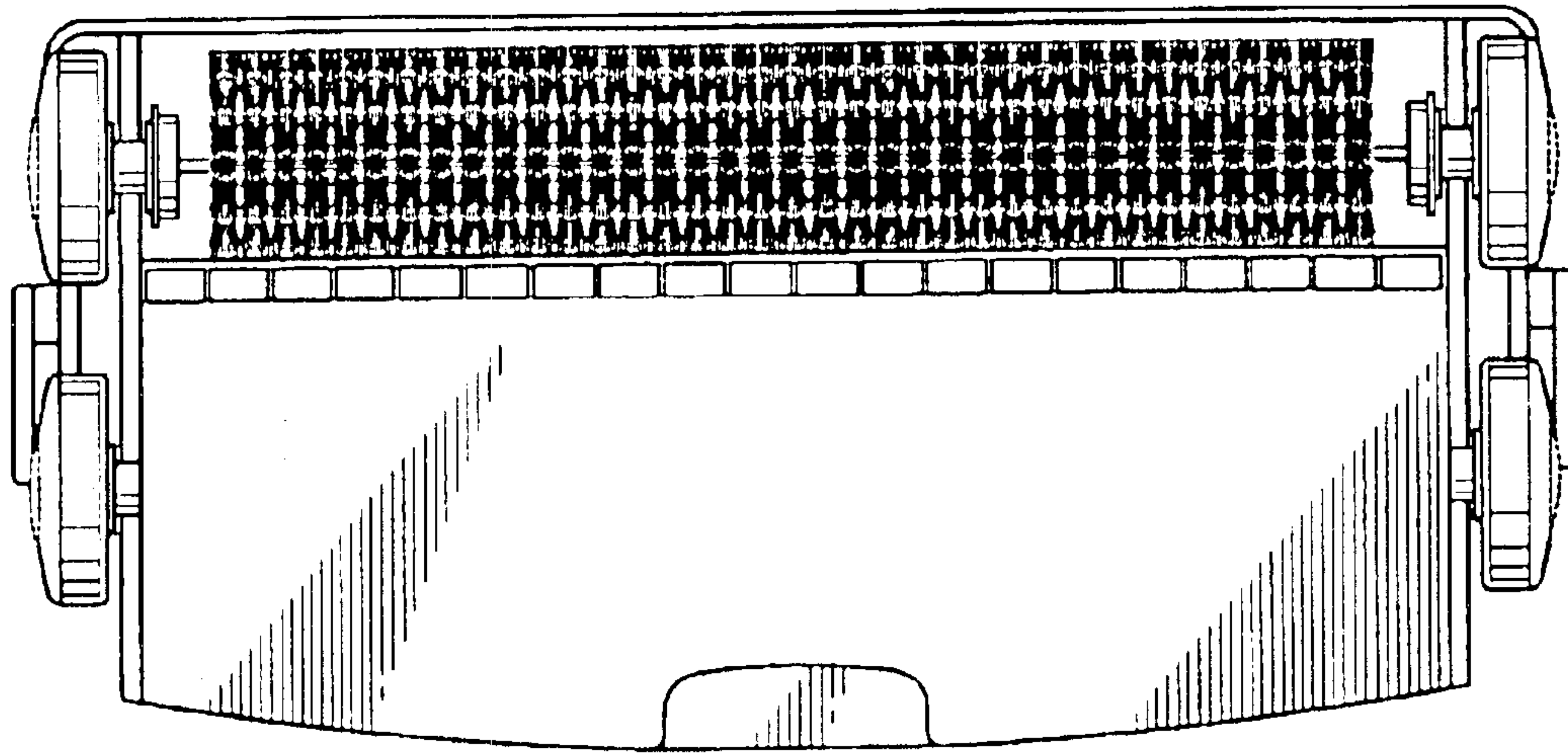


FIG. 8

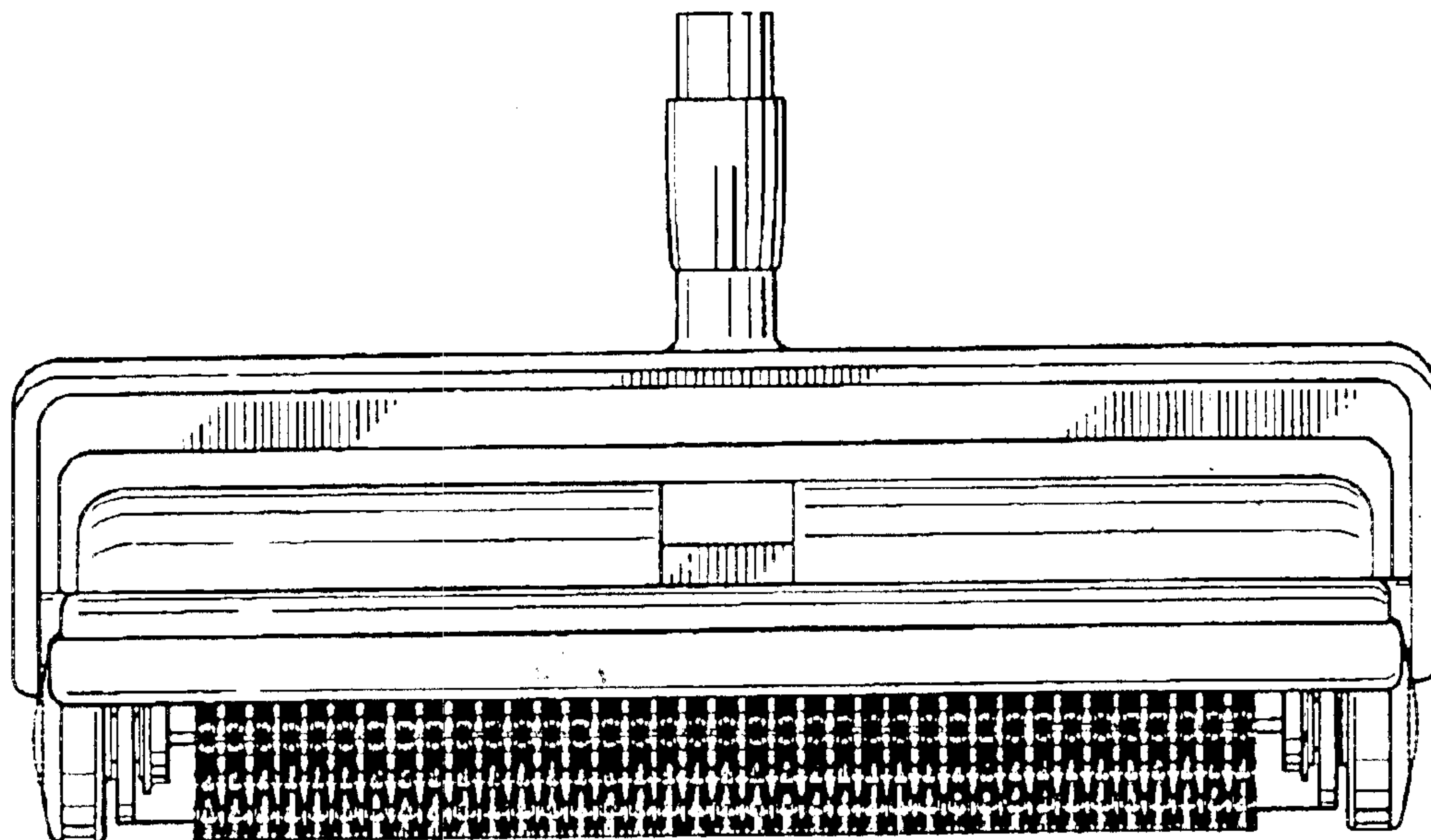


FIG. 9

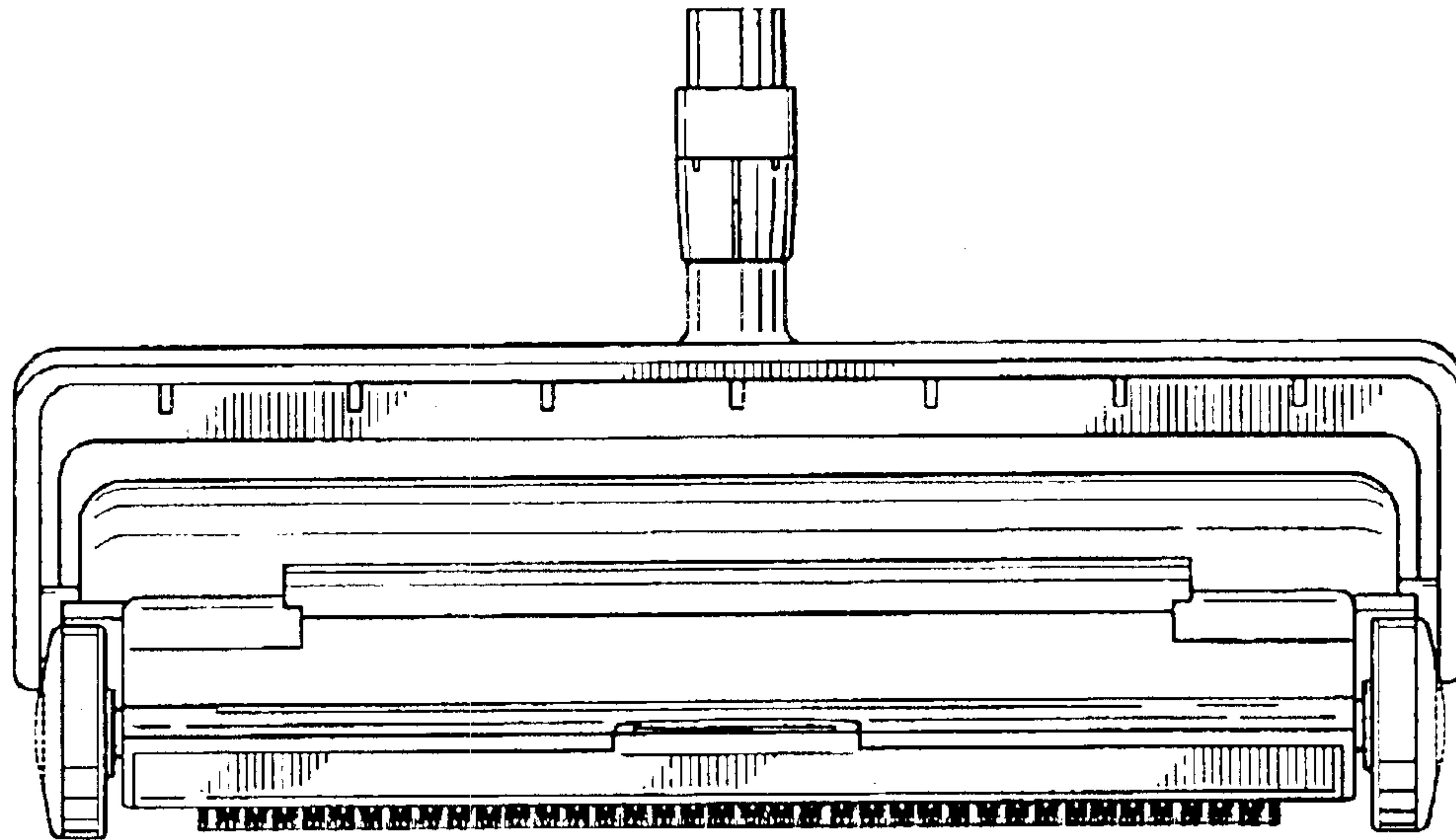


FIG. 10

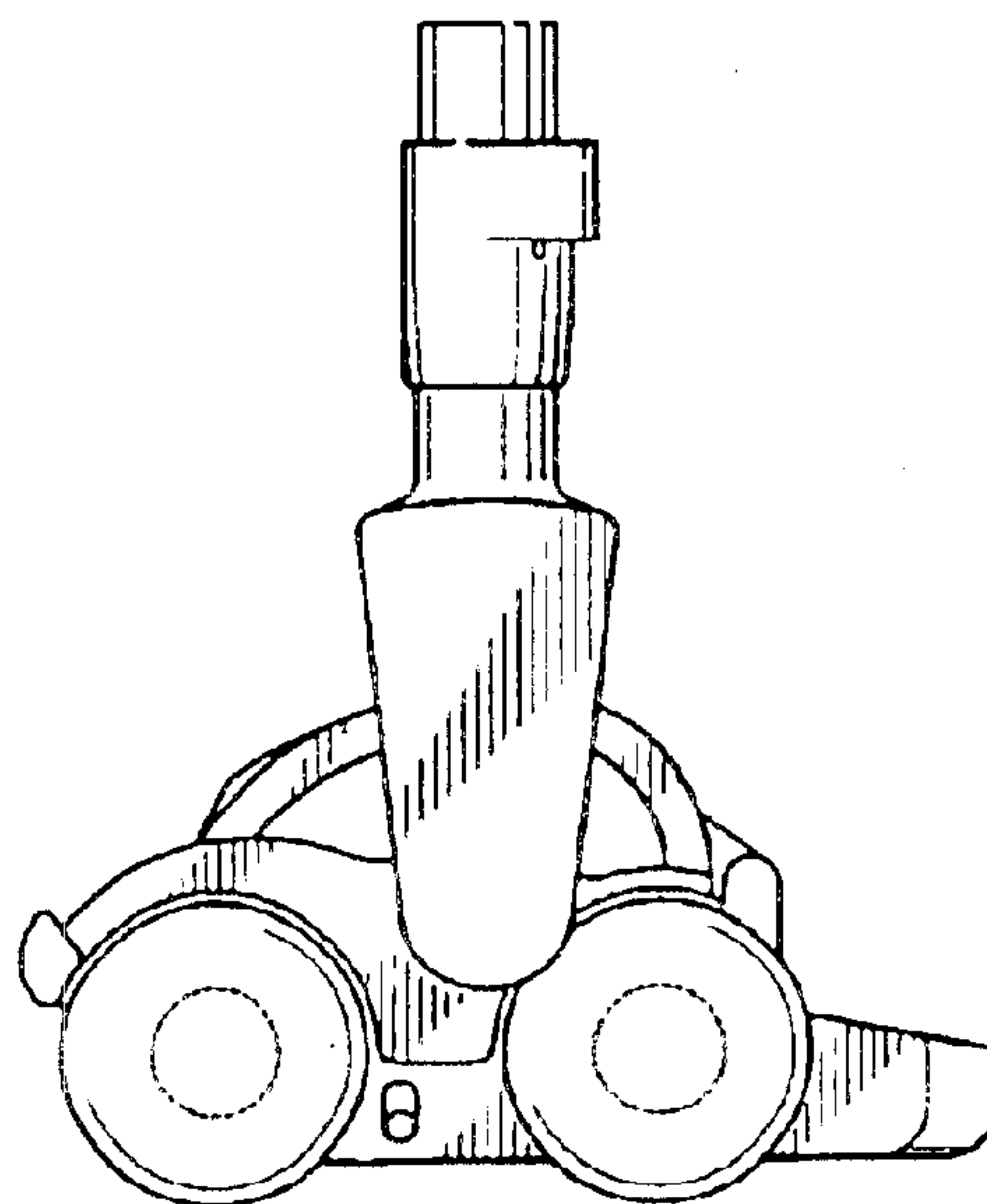


FIG. 11

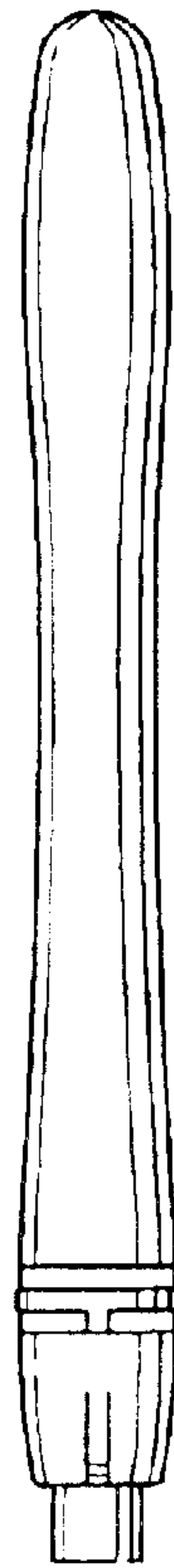


FIG. 12

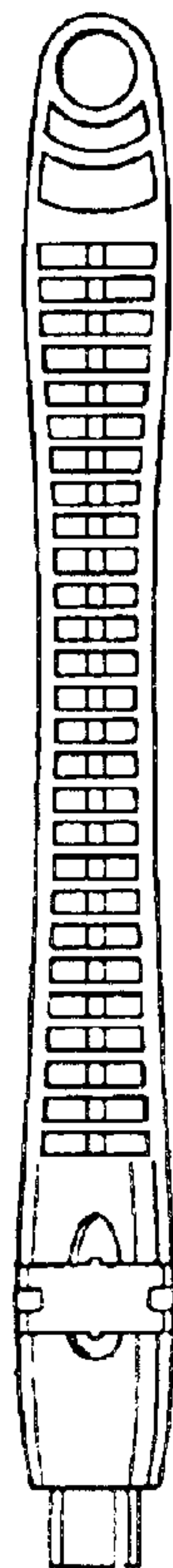


FIG. 13

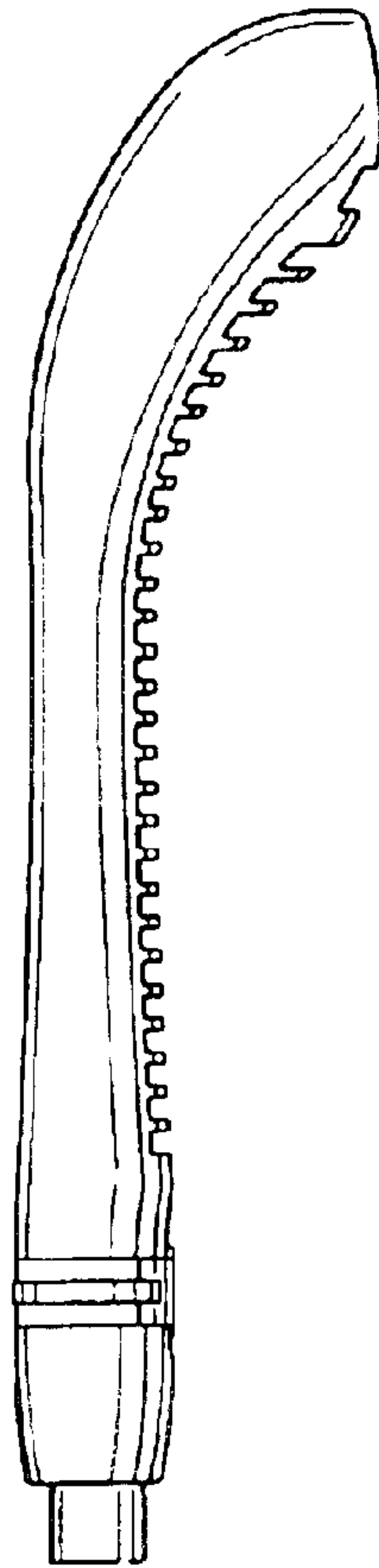


FIG. 14

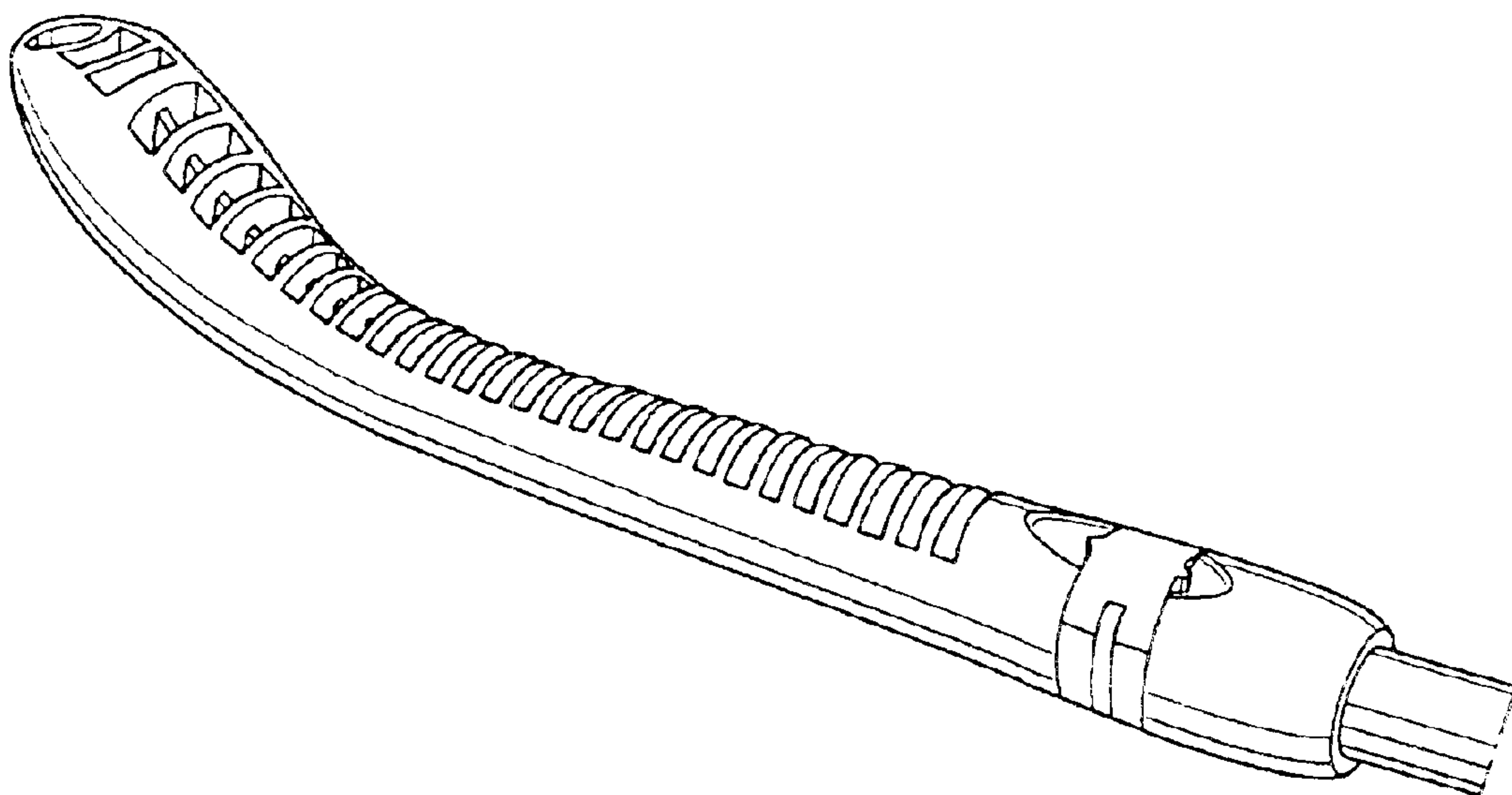


FIG. 15

