



US00D510466S

(12) **United States Design Patent**
Rosenzweig

(10) **Patent No.:** **US D510,466 S**

(45) **Date of Patent:** **** Oct. 4, 2005**

(54) **SURFACE CONFIGURATION OF A HAND-HELD VACUUM AND/OR SWEEPER**

(75) **Inventor:** **Mark Rosenzweig**, Chestnut Hill, MA (US)

(73) **Assignee:** **Euro-Pro Corporation**, West Newton, MA (US)

(**) **Term:** **14 Years**

(21) **Appl. No.:** **29/200,816**

(22) **Filed:** **Mar. 5, 2004**

(51) **LOC (8) Cl.** **15-05**

(52) **U.S. Cl.** **D32/32**

(58) **Field of Search** D32/17-18, 31-34, D32/21-22, 38-39; D30/158; 15/415.1-422.1, 322, 329, 350, 352, 361, 375, 387, 396, 400, 410, 412, 414, 41.1

(56) **References Cited**

U.S. PATENT DOCUMENTS

- D349,793 S * 8/1994 Zahuranec et al. D32/38
- D376,879 S * 12/1996 Selewski et al. D32/32
- D416,115 S * 11/1999 Rohn et al. D32/32
- D418,267 S * 12/1999 Lin D32/32

- D440,019 S * 4/2001 Mehaffey et al. D32/32
- D456,965 S * 5/2002 Paterson et al. D32/32
- D456,966 S * 5/2002 Paterson et al. D32/32
- D473,687 S * 4/2003 Kaffenberger D32/33
- D495,106 S * 8/2004 Leyden et al. D32/32

* cited by examiner

Primary Examiner—Ruth McInroy

(74) *Attorney, Agent, or Firm*—Shook, Hardy & Bacon

(57) **CLAIM**

The ornamental design for a surface configuration of a hand-held vacuum and/or sweeper, as shown and described.

DESCRIPTION

FIG. 1 is a front perspective view of a surface configuration of a hand-held vacuum and/or sweeper showing my new design;

FIG. 2 is a front view thereof;

FIG. 3 is a rear view thereof;

FIG. 4 is a right side view thereof;

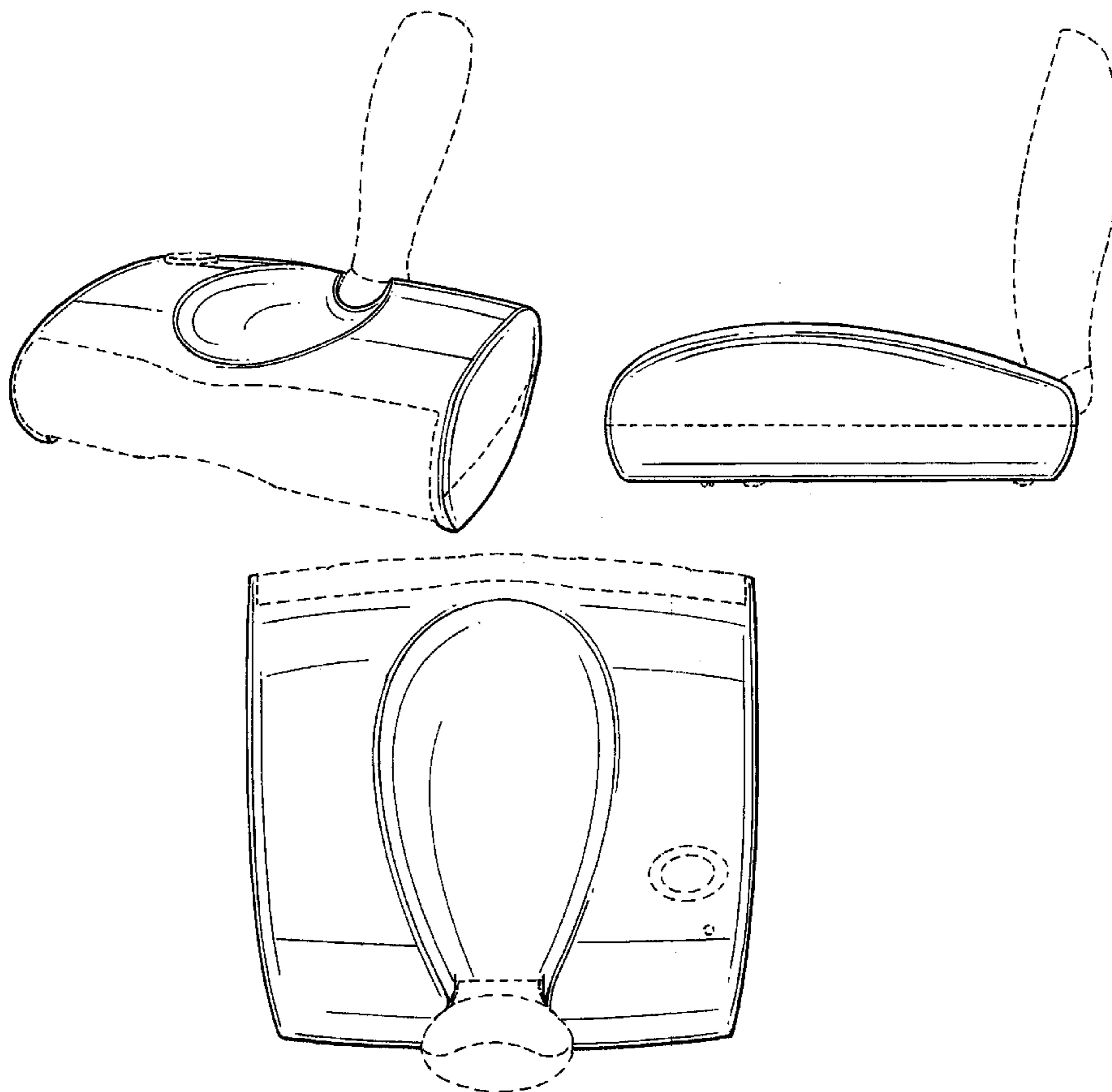
FIG. 5 is a left side view thereof;

FIG. 6 is a top view thereof; and,

FIG. 7 is a bottom view thereof.

The broken lines are for illustrative purposes only and form no part of the claimed design.

1 Claim, 4 Drawing Sheets



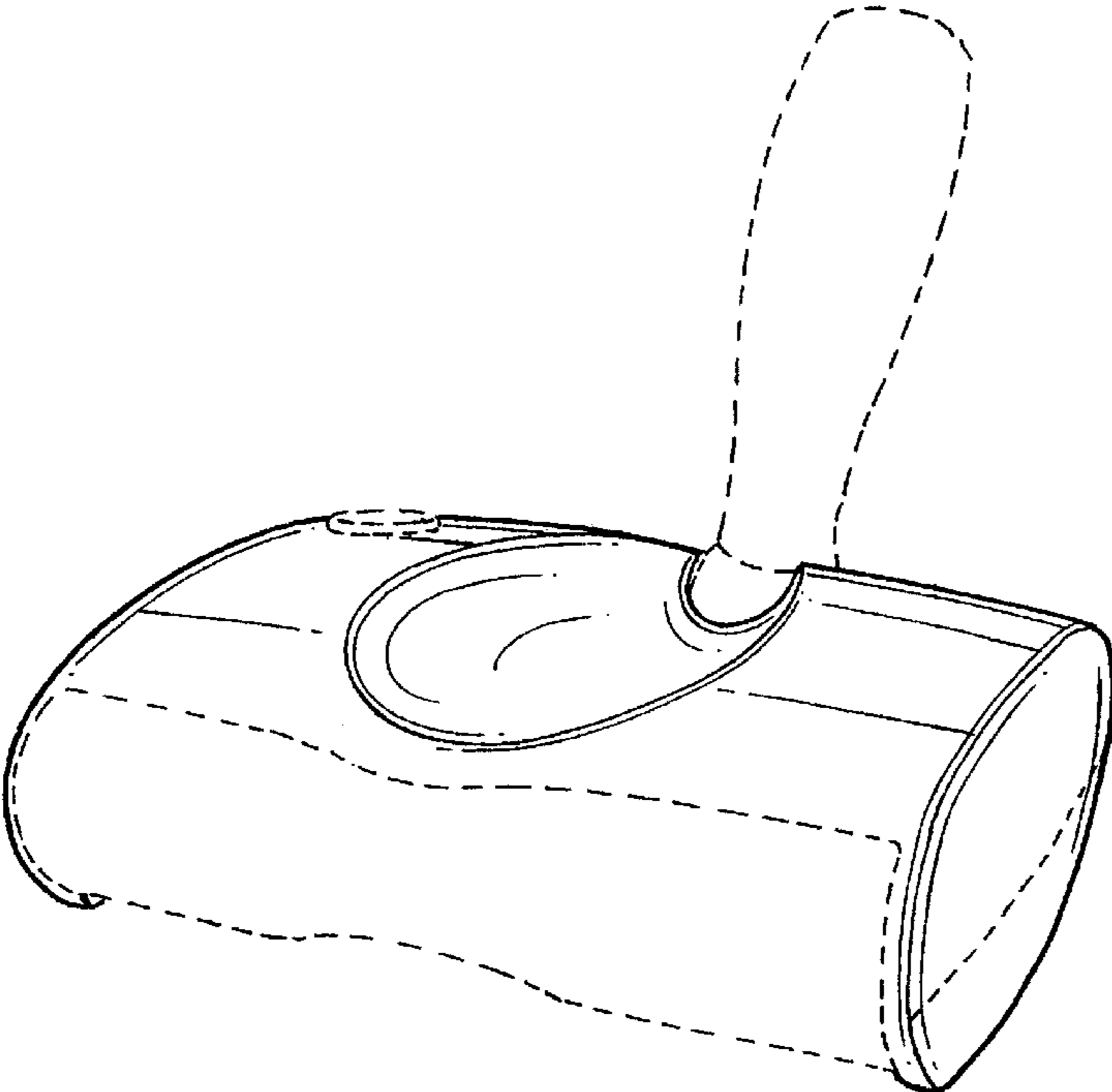


FIG. 1

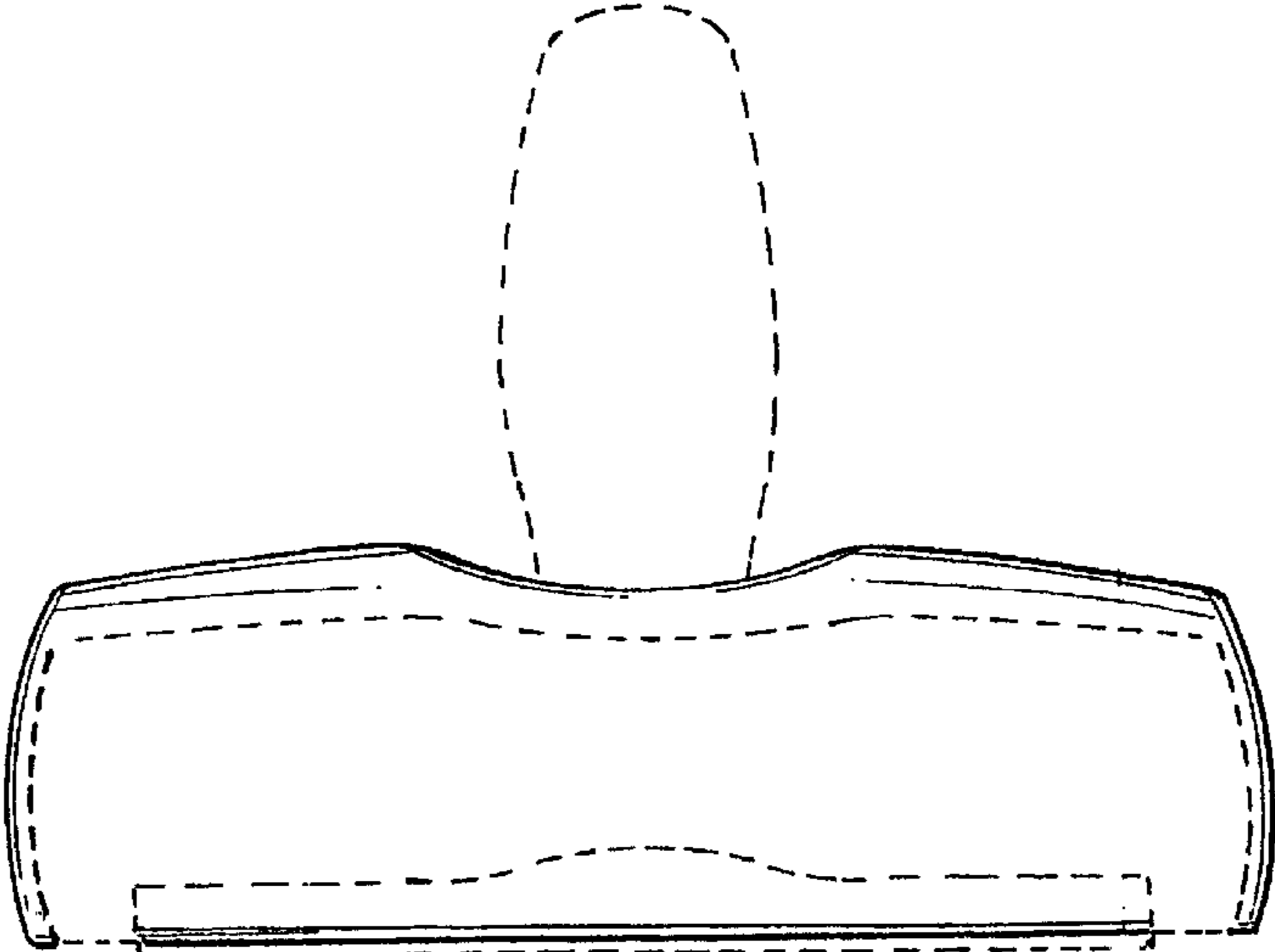


FIG. 2

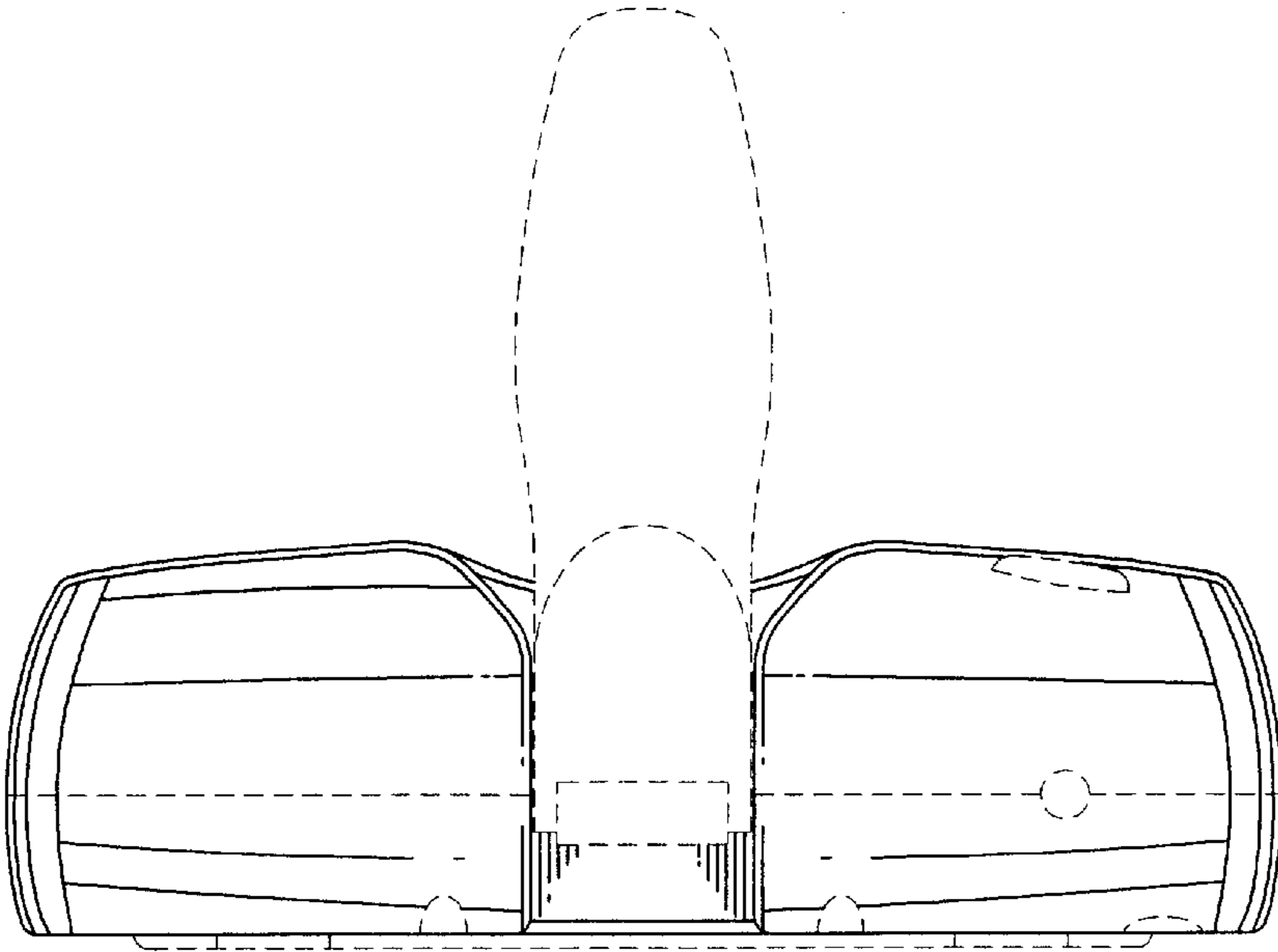


FIG. 3

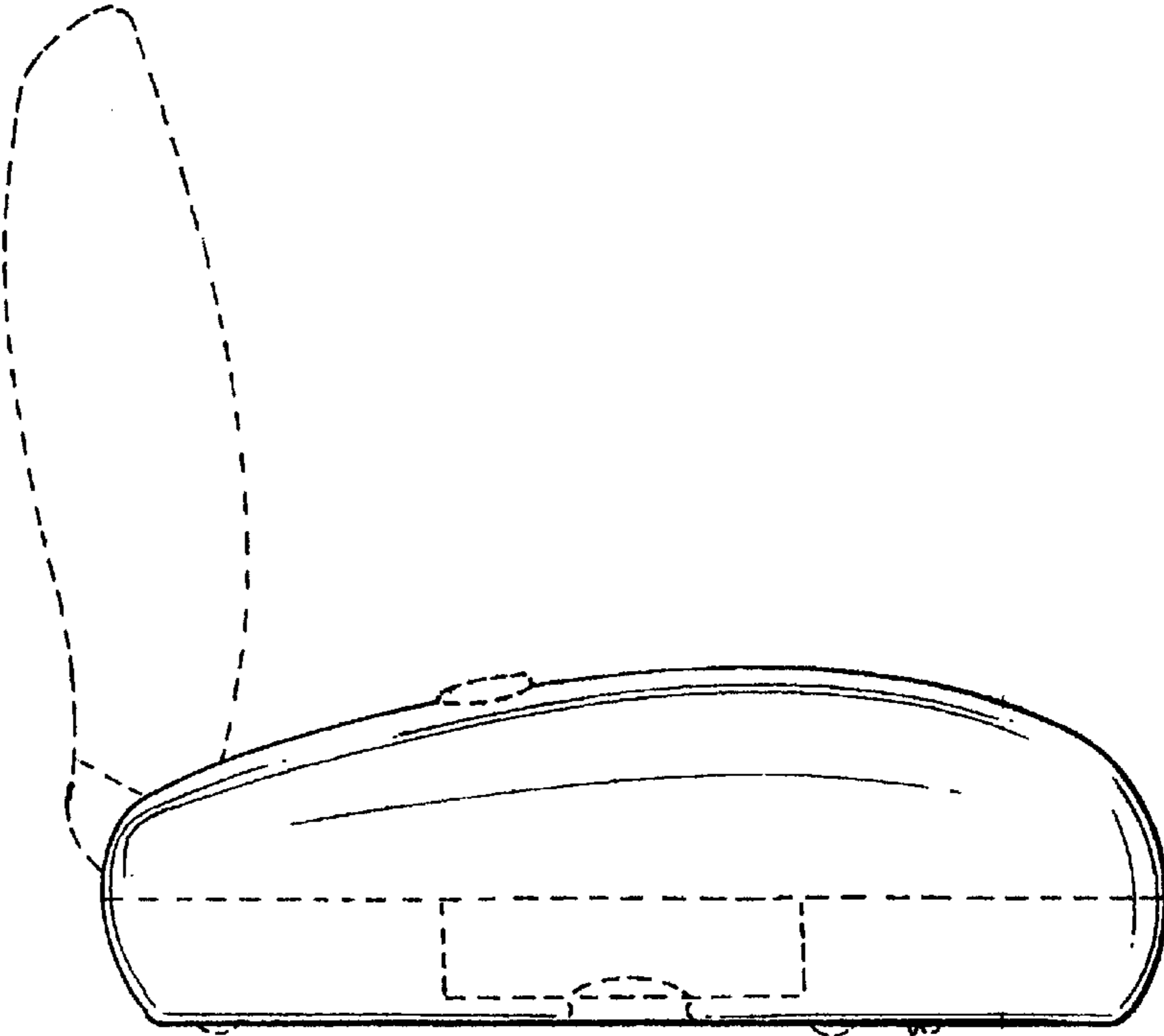


FIG. 4

FIG. 5

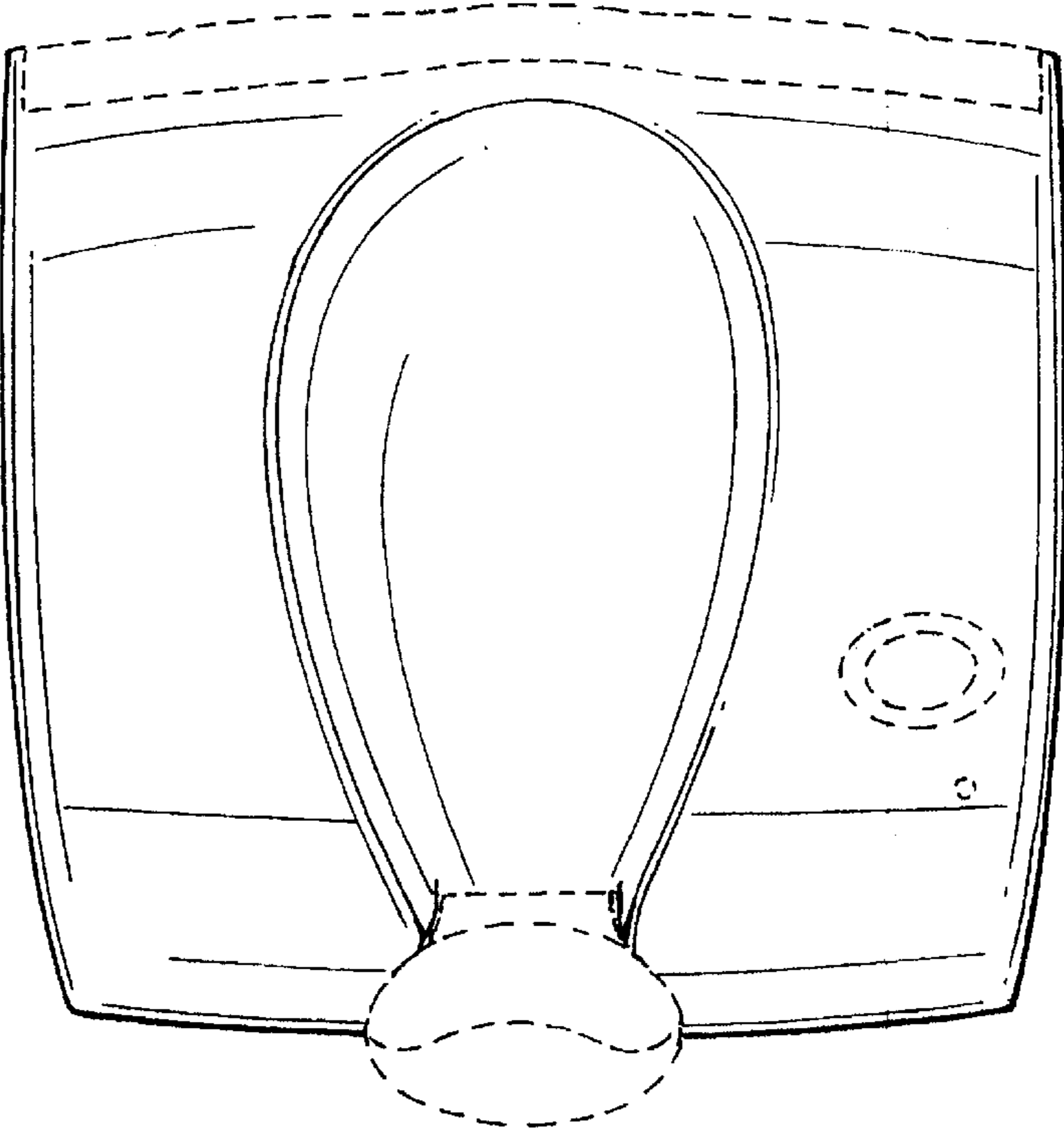
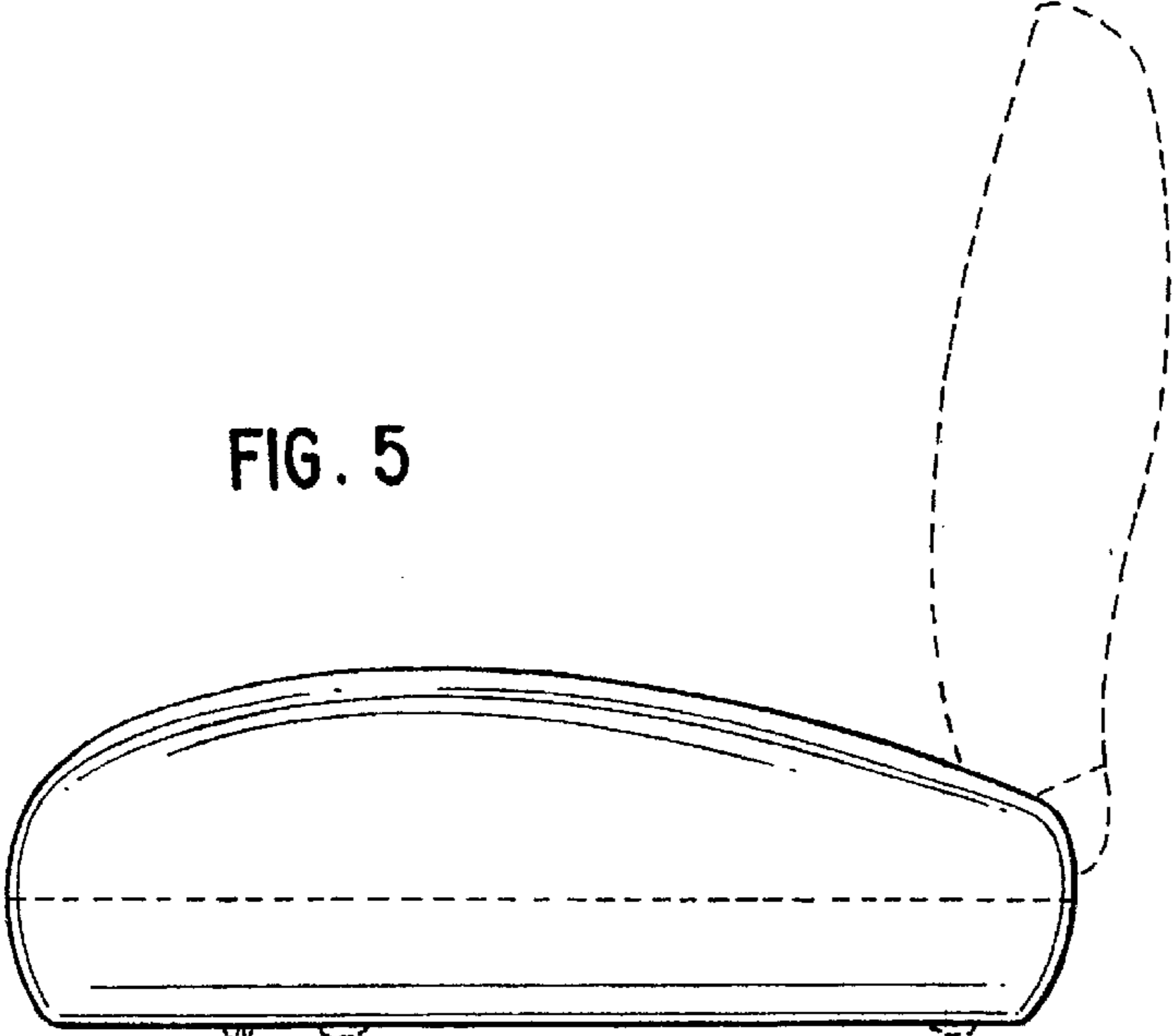


FIG. 6

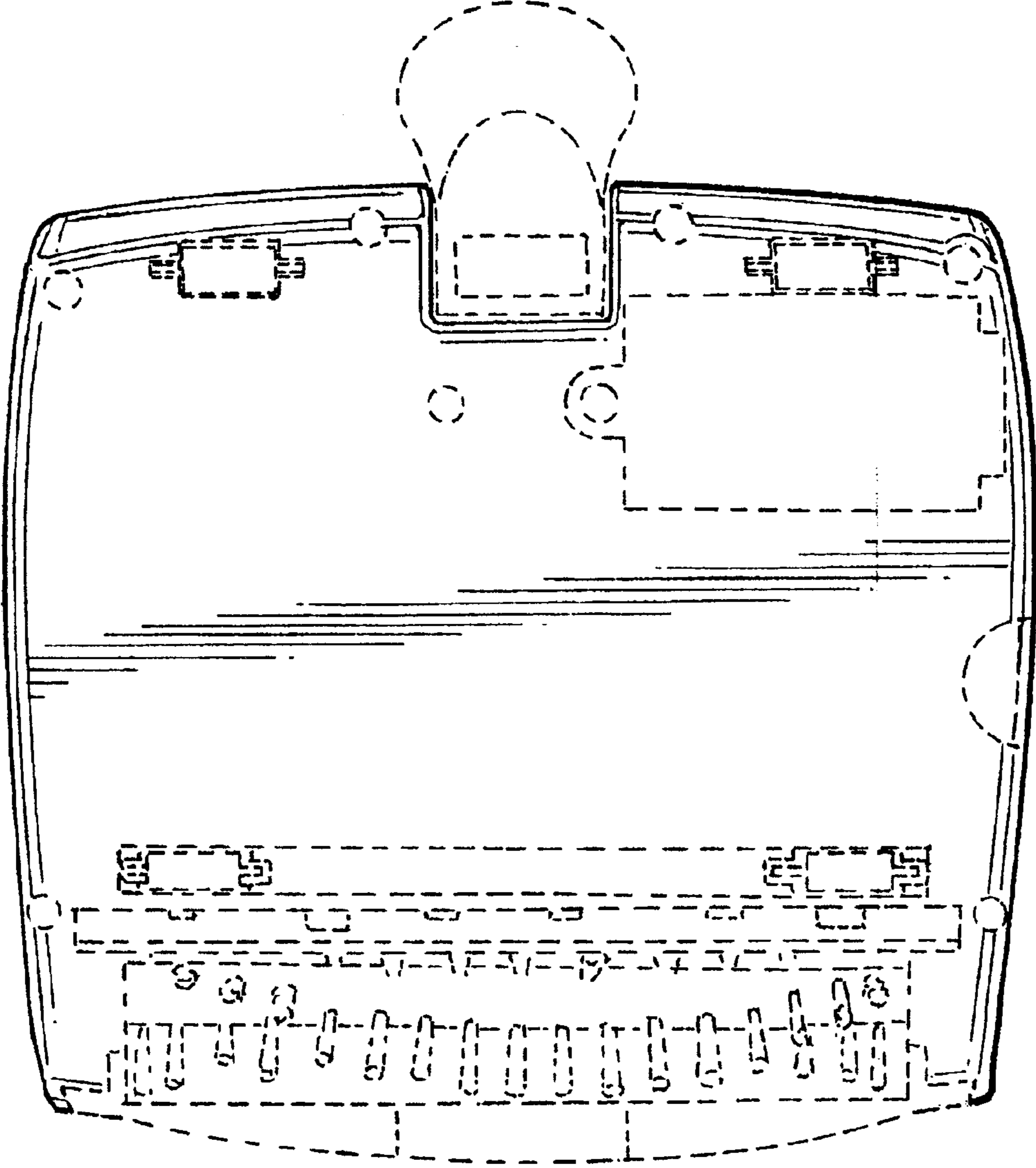


FIG. 7