



US00D510465S

(12) **United States Design Patent**
Takahashi et al.

(10) **Patent No.: US D510,465 S**

(45) **Date of Patent: ** Oct. 4, 2005**

(54) **ELECTRIC VACUUM CLEANER**

(75) **Inventors: Sei Takahashi, Kasai (JP); Kenji Ikeno, Ono (JP); Kazuhiko Nakano, Kasai (JP)**

(73) **Assignee: Sanyo Electric Co., Ltd., Moriguchi (JP)**

(**) **Term: 14 Years**

(21) **Appl. No.: 29/192,216**

(22) **Filed: Oct. 22, 2003**

(30) **Foreign Application Priority Data**

Apr. 25, 2003 (JP) 2003-011742

(51) **LOC (8) Cl. 15-05**

(52) **U.S. Cl. D32/22**

(58) **Field of Search D32/21-24, 31-33; 15/320-323, 331, 347, 350-353, 361, 410, 412, 415.1, 416-422.1, 327.1-327.7; 55/DIG. 3**

(56) **References Cited**

U.S. PATENT DOCUMENTS

- D305,269 S * 12/1989 Dyson D32/22
- D343,707 S * 1/1994 Dyson D32/22
- D375,820 S * 11/1996 Piccaluga et al. D32/22
- 5,974,625 A * 11/1999 Garner 15/354

- D417,533 S * 12/1999 Burchard et al. D32/22
- 6,141,826 A * 11/2000 Conrad et al. 15/347
- D439,379 S * 3/2001 Gammack et al. D32/22
- D455,530 S * 4/2002 Fujii D32/22
- D455,876 S * 4/2002 Arney et al. D32/22
- D462,813 S * 9/2002 Nakano et al. D32/22
- D473,981 S * 4/2003 Wareham D32/22
- 2003/0177602 A1 * 9/2003 Courtney 15/339

* cited by examiner

Primary Examiner—Ruth McInroy

(74) *Attorney, Agent, or Firm*—Armstrong, Kratz, Quintos, Hanson & Brooks, LLP

(57) **CLAIM**

The ornamental design for an electric vacuum cleaner, as shown.

DESCRIPTION

FIG. 1 is a perspective view of an electric vacuum cleaner showing our new design;
 FIG. 2 is a front view thereof;
 FIG. 3 is a rear view thereof;
 FIG. 4 is a top plan view thereof;
 FIG. 5 is a bottom plan view thereof;
 FIG. 6 is a right side view thereof; and,
 FIG. 7 is a left side view thereof.

1 Claim, 6 Drawing Sheets

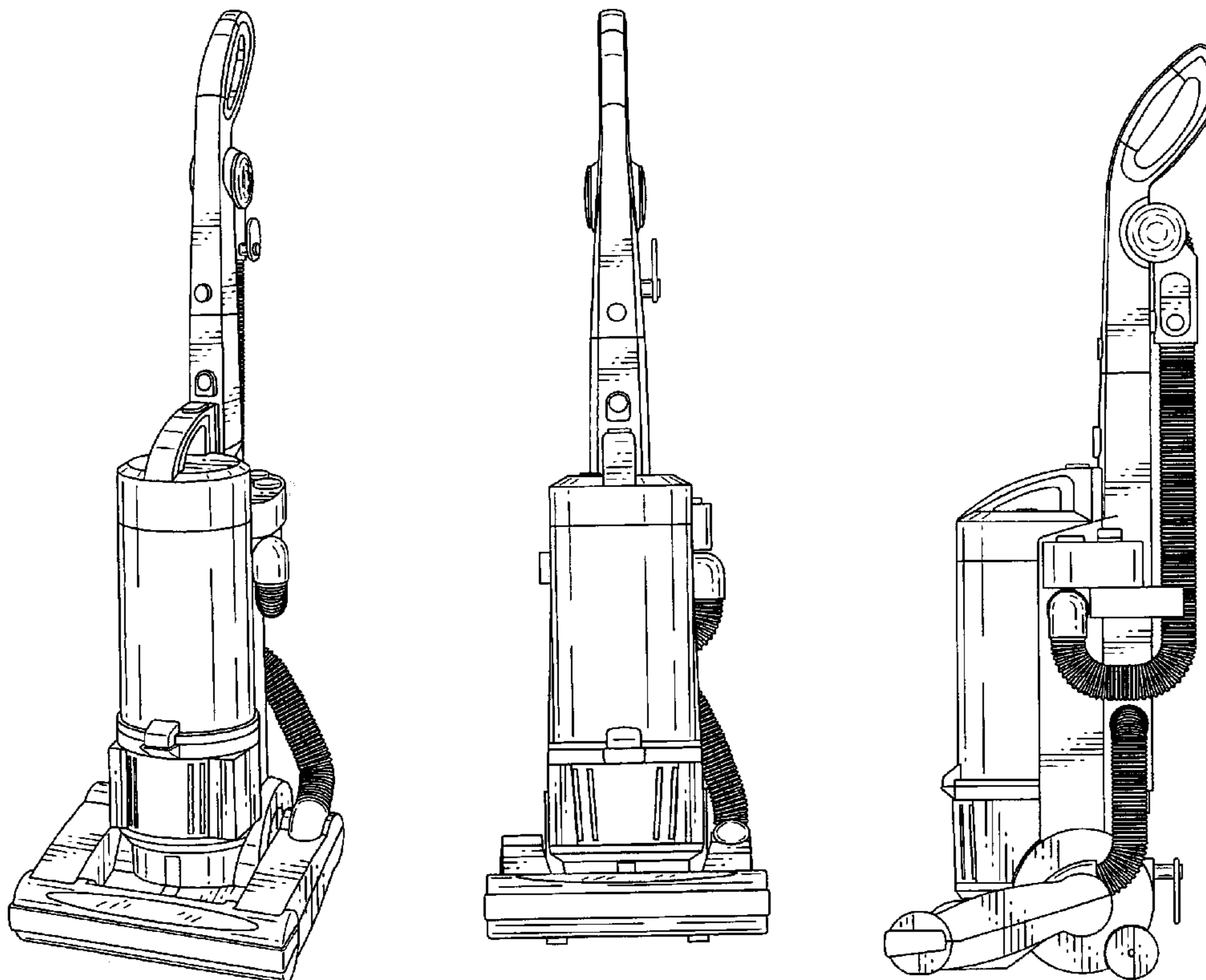


FIG. 1

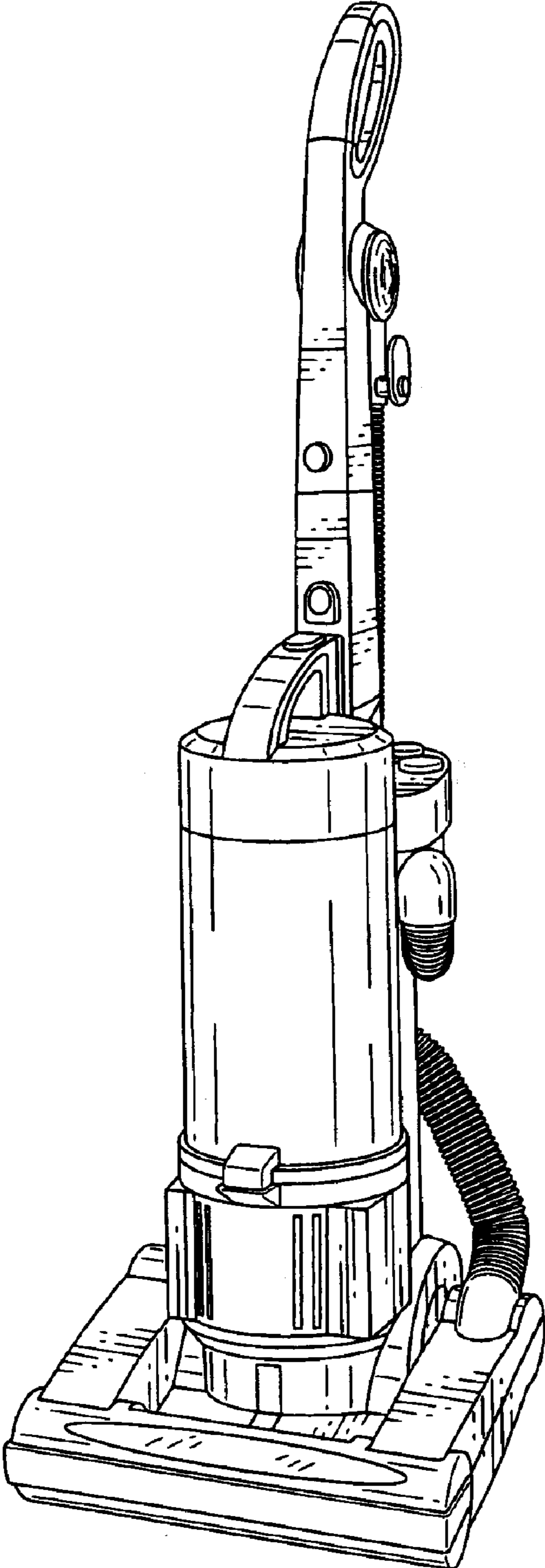


FIG. 2

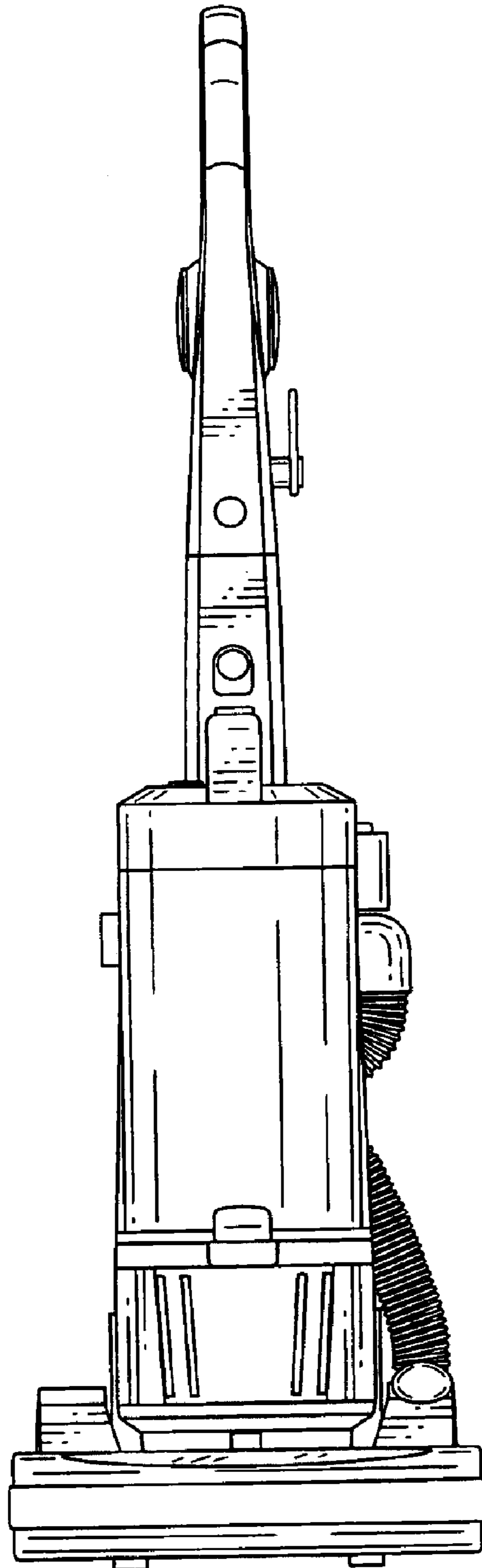


FIG. 3

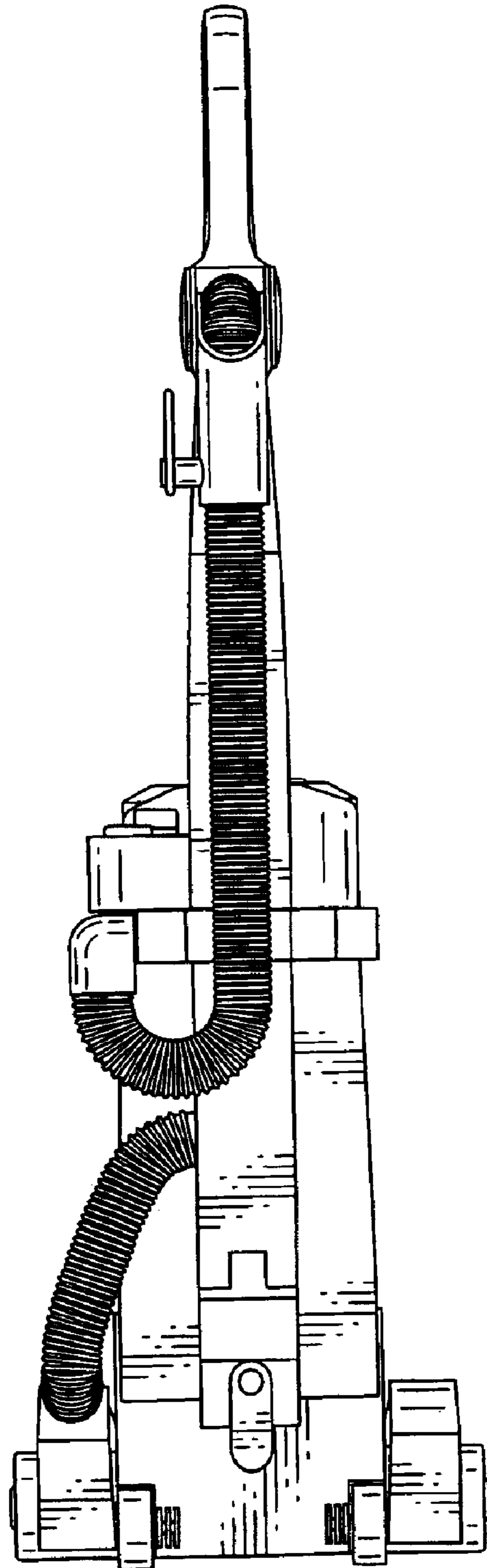


FIG. 4

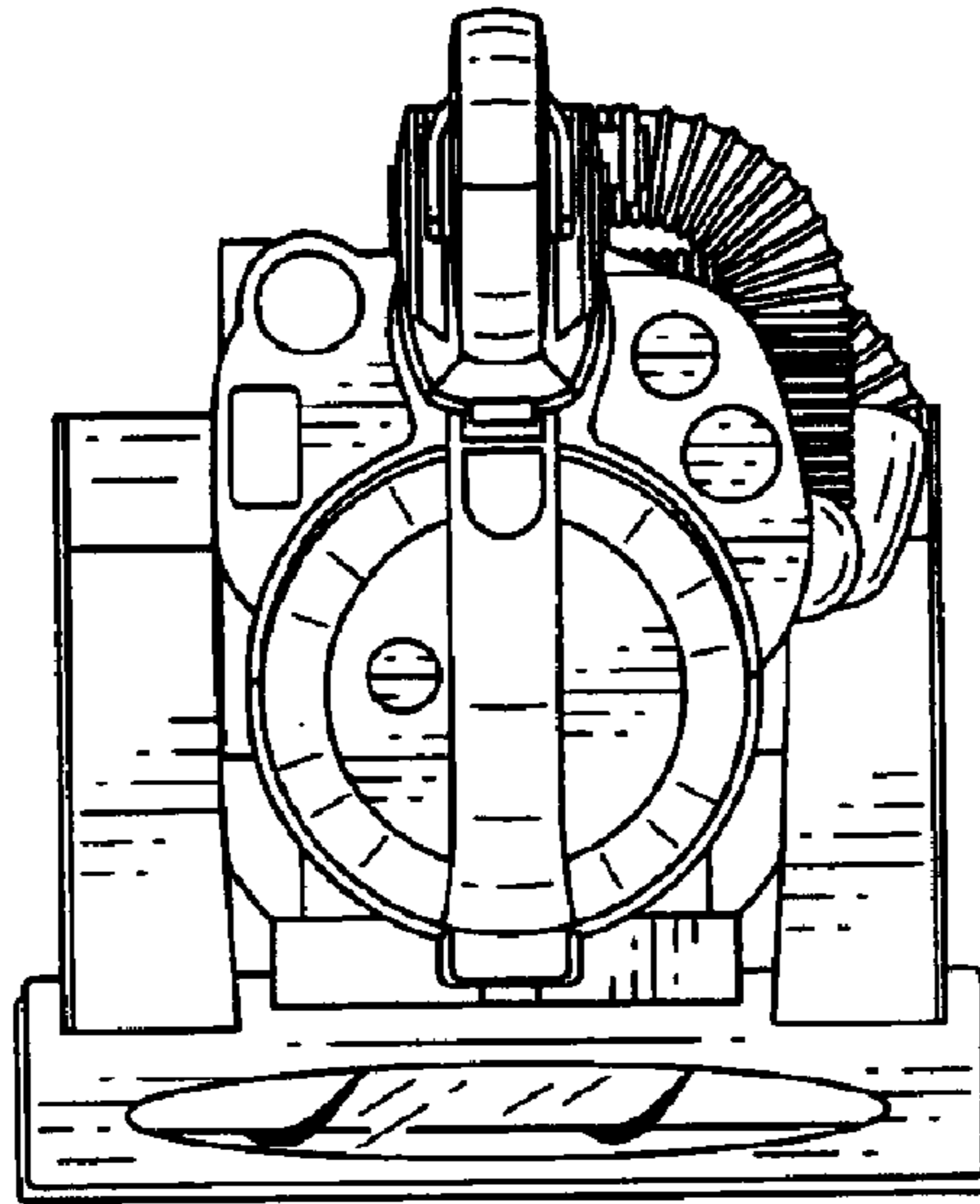


FIG. 5

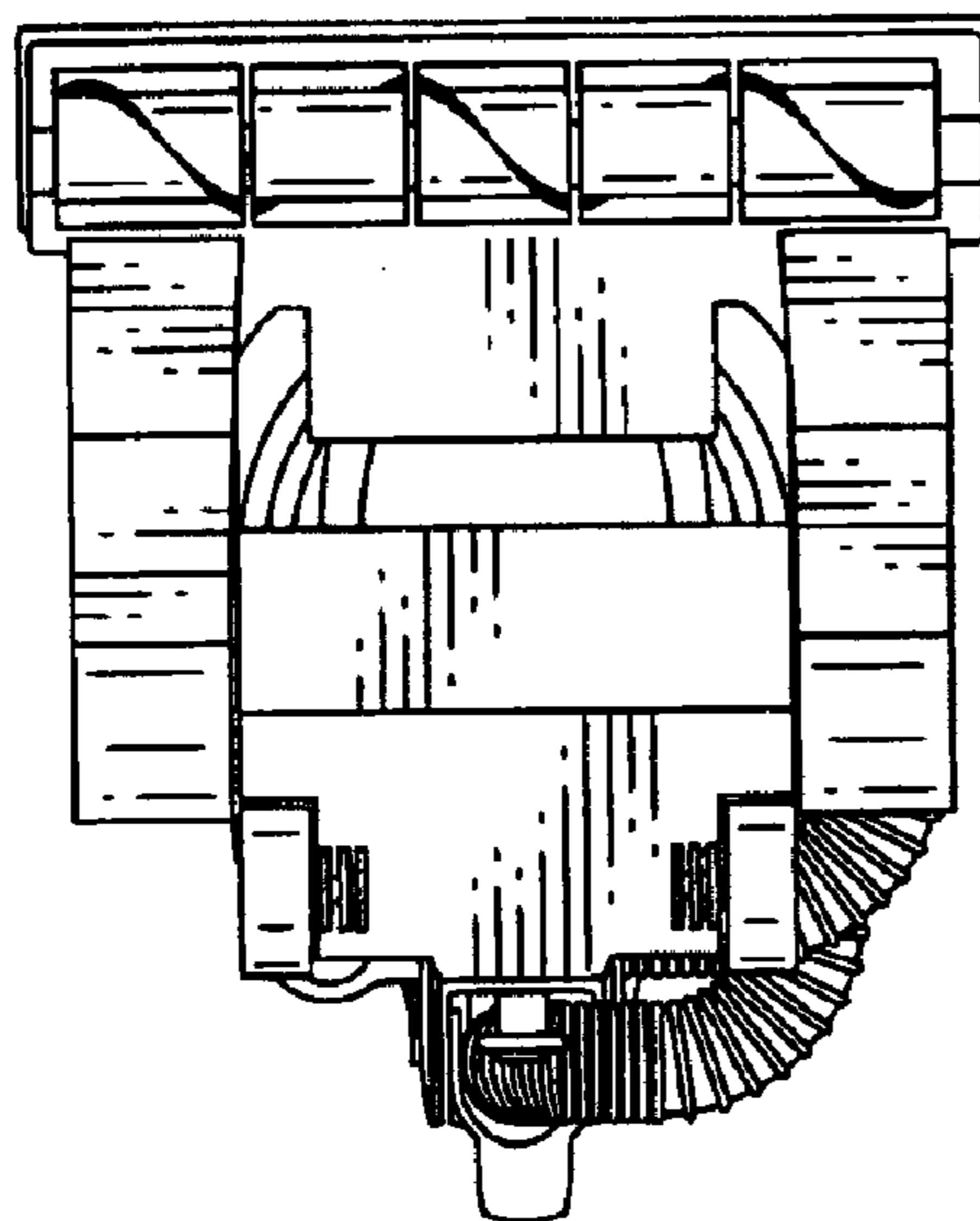


FIG. 6

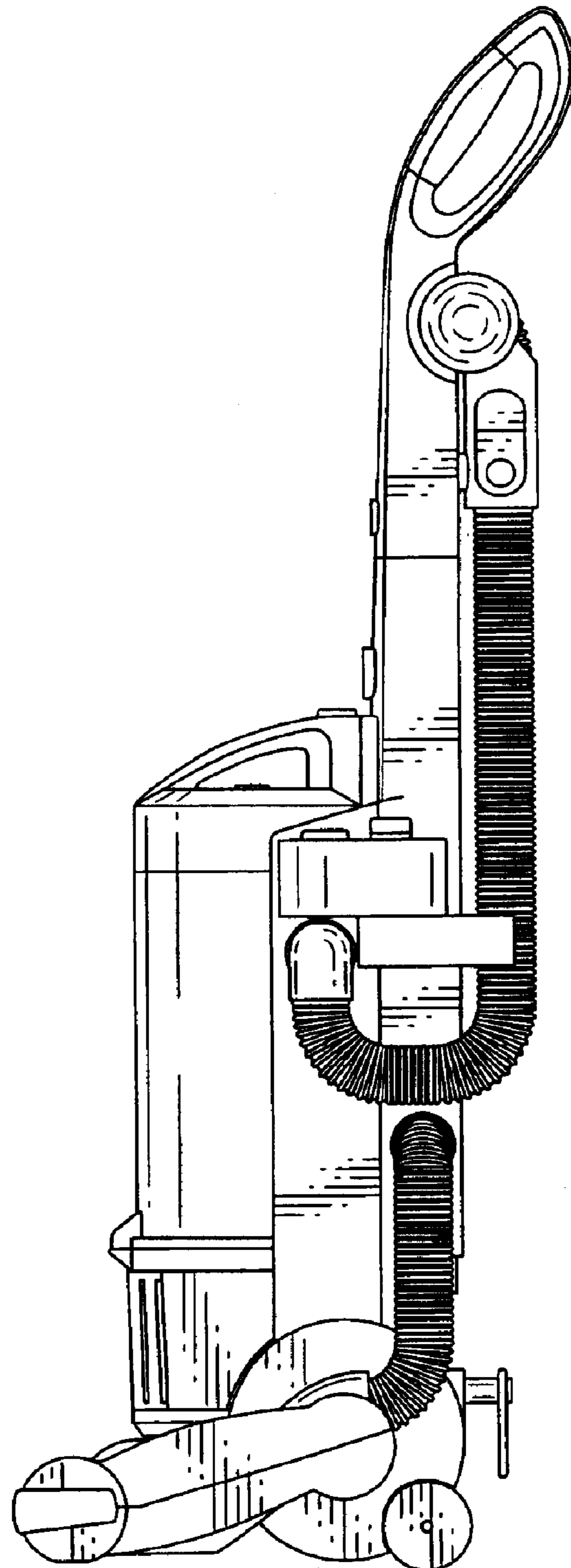


FIG. 7

