

US00D510464S

(12) **United States Design Patent**
Christianson

(10) **Patent No.:** **US D510,464 S**

(45) **Date of Patent:** **** Oct. 4, 2005**

(54) **EYE GLASS CLEANER**

(75) Inventor: **Tristan M. Christianson**, San Francisco, CA (US)

(73) Assignee: **Sharper Image Corporation**, San Francisco, CA (US)

(**) Term: **14 Years**

(21) Appl. No.: **29/209,289**

(22) Filed: **Jul. 14, 2004**

(51) **LOC (8) Cl.** **15-05**

(52) **U.S. Cl.** **D32/1**

(58) **Field of Search** D32/1, 25; 15/1, 15/1.51; 134/117; 366/127

(56) **References Cited**

U.S. PATENT DOCUMENTS

D341,233 S * 11/1993 Muller D32/1
D477,442 S * 7/2003 Christianson D32/1

* cited by examiner

Primary Examiner—Robert A. Delehanty

(74) *Attorney, Agent, or Firm*—Bell, Boyd & Lloyd LLC

(57) **CLAIM**

The ornamental design for an eye glass cleaner, as shown and described.

DESCRIPTION

FIG. 1 is a front perspective view of an eye glass cleaner, showing my new design;

FIG. 2 is a rear perspective view thereof;

FIG. 3 is a front view thereof;

FIG. 4 is a rear view thereof;

FIG. 5 is a top view thereof; and,

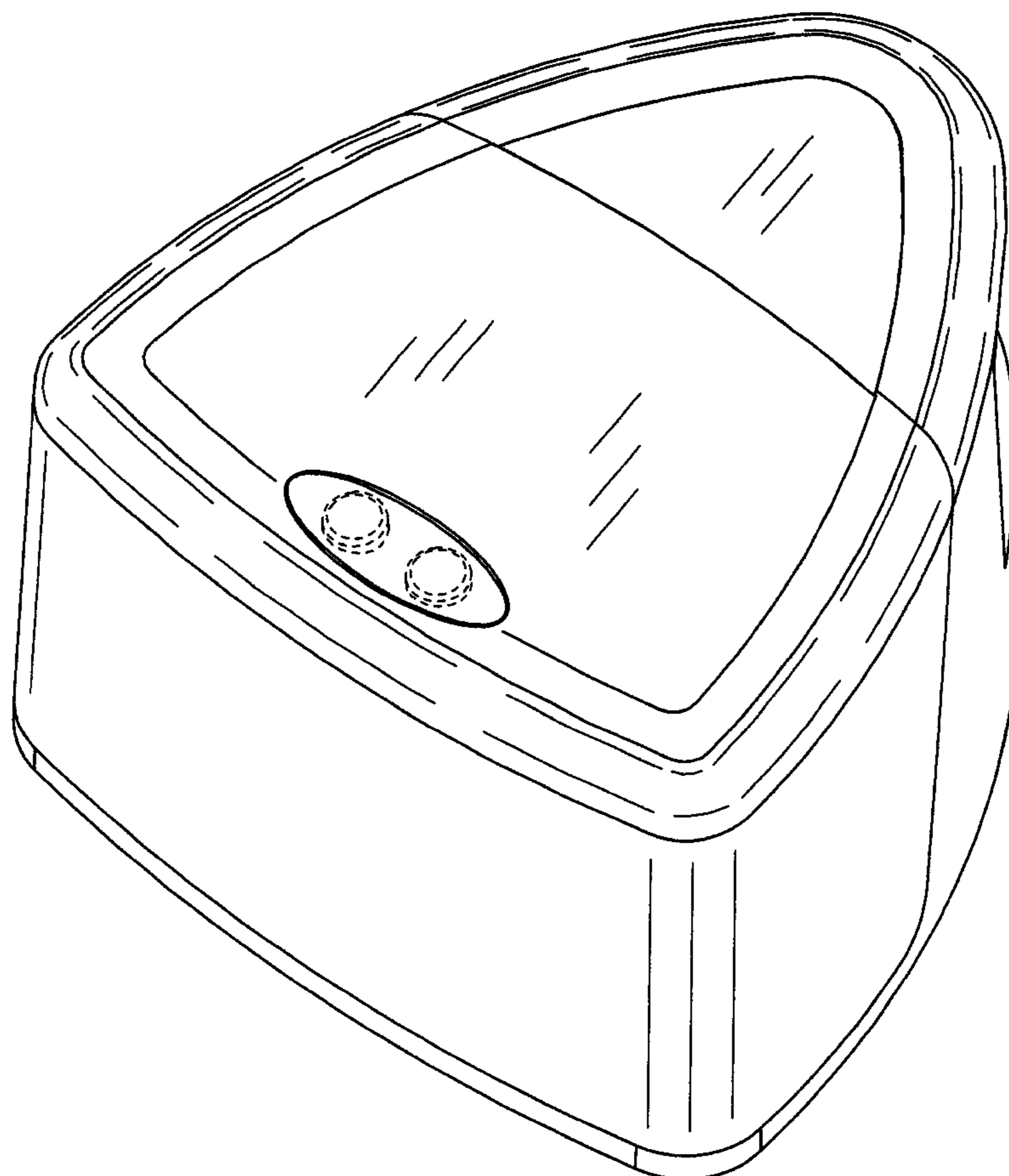
FIG. 6 is a right side view thereof.

The left side view is a mirror image of the right side view as shown in FIG. 6, and thus not shown.

The bottom view is flat and unornamented, and thus not shown.

The portions shown in broken lines in FIGS. 1–6 are for illustrative purposes only and form no part of the claimed design.

1 Claim, 6 Drawing Sheets



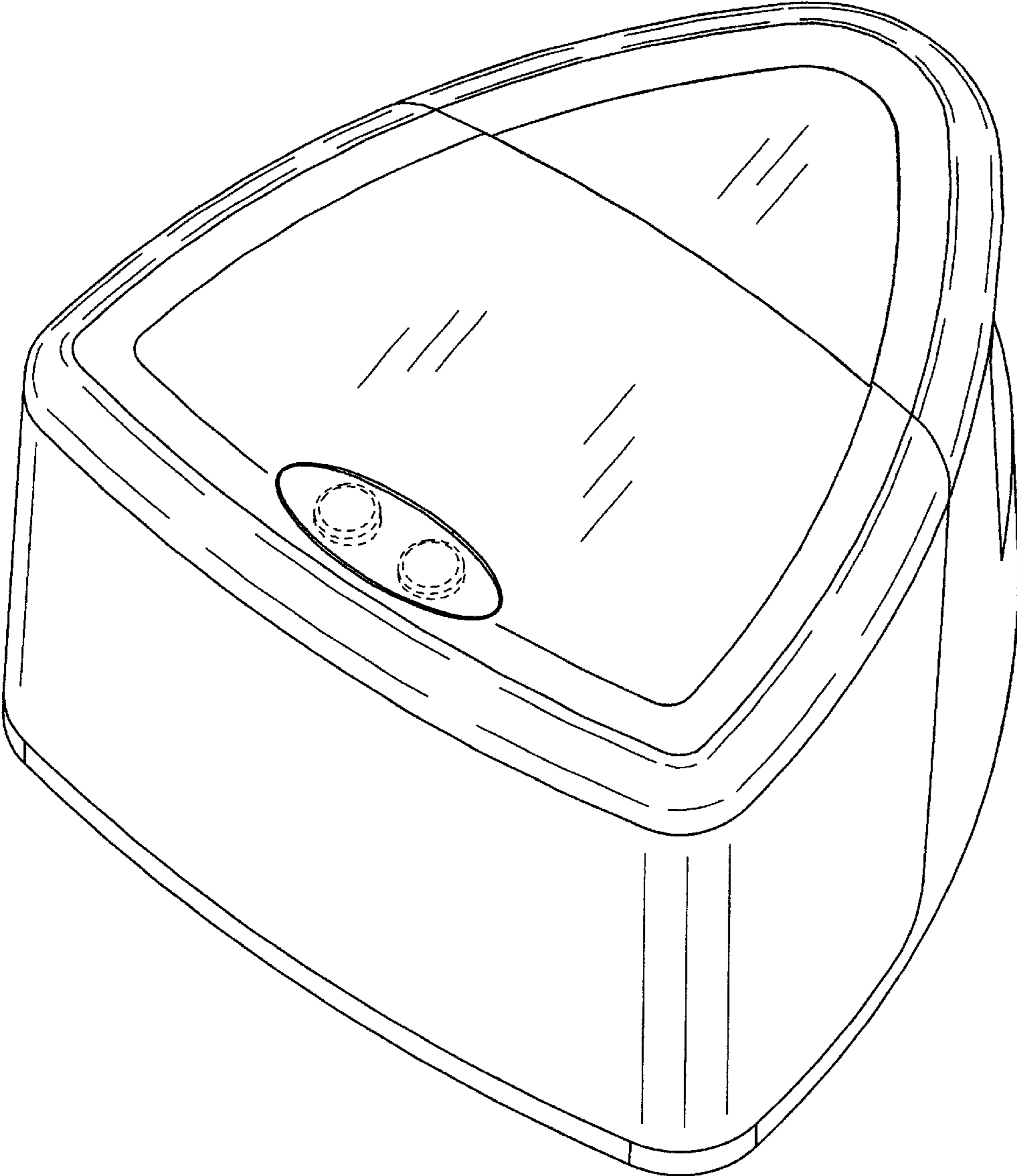


FIG. 1

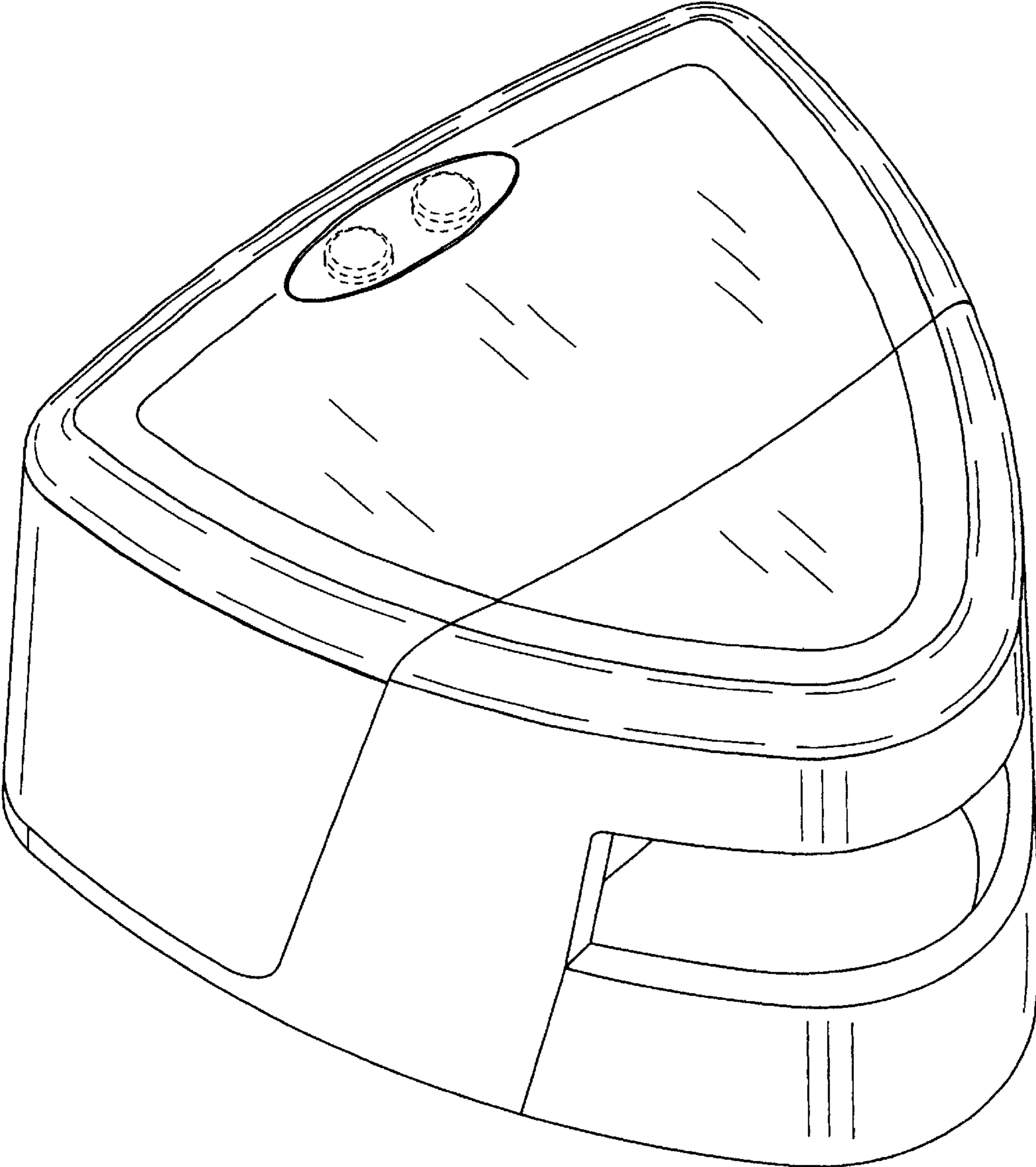


FIG. 2

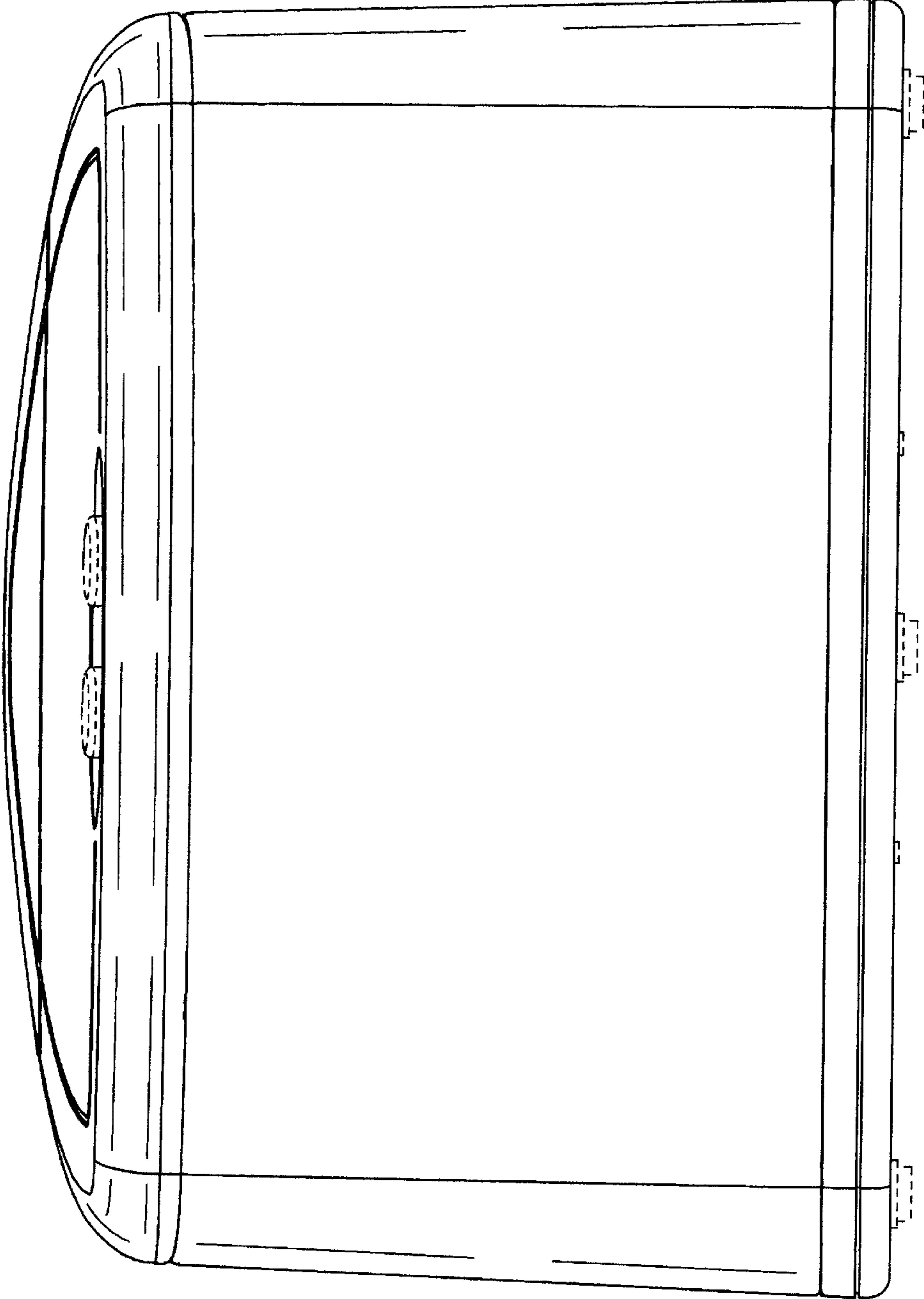


FIG.- 3

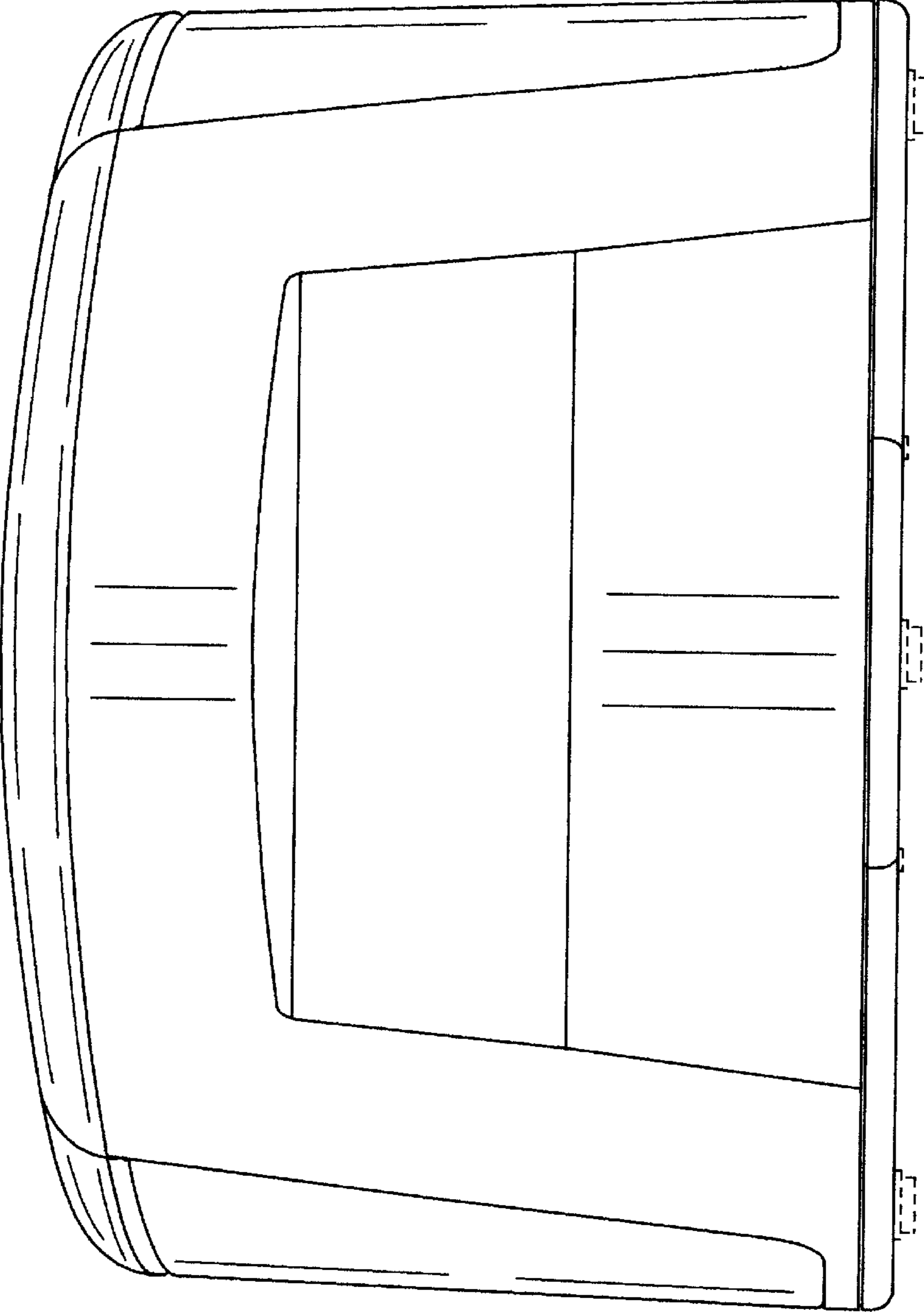


FIG. - 4

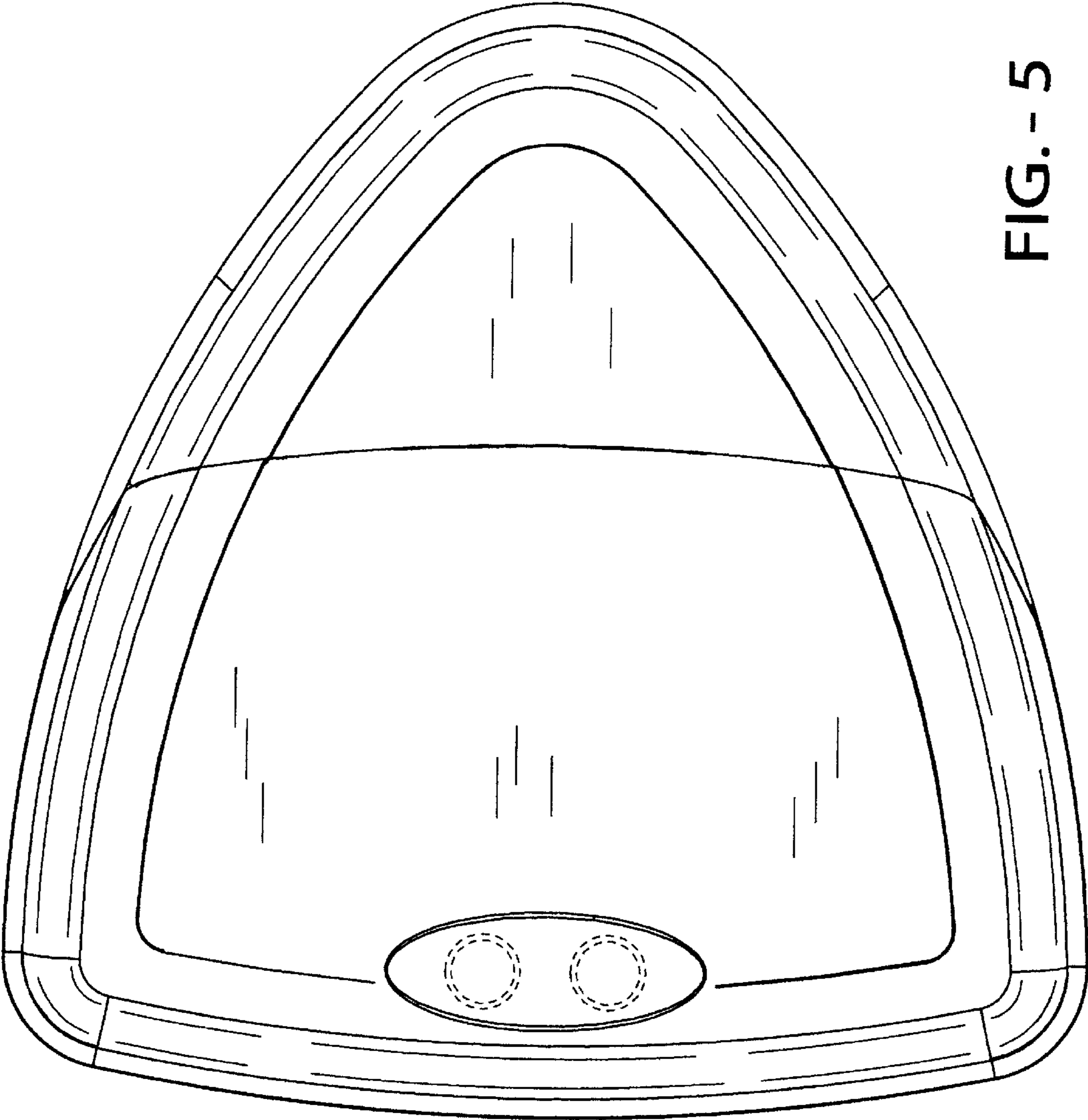


FIG. - 5

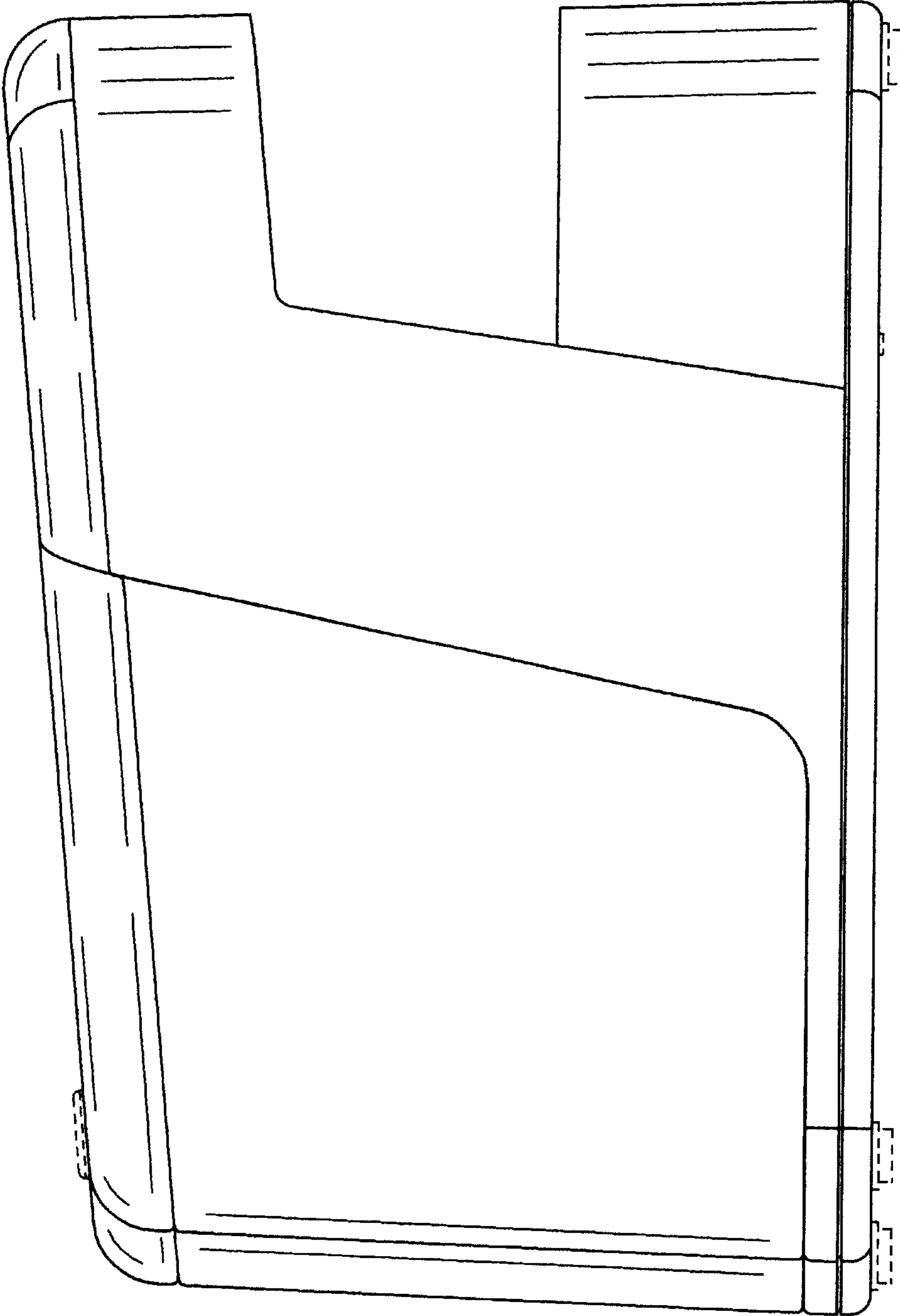


FIG. - 6