



US00D510463S

(12) **United States Design Patent**
Goforth et al.

(10) **Patent No.:** **US D510,463 S**

(45) **Date of Patent:** **** Oct. 4, 2005**

(54) **BIRD SHOULDER PERCH**

6,079,055 A * 6/2000 Mencil 2/459
6,101,637 A * 8/2000 Lessard 2/459

(76) Inventors: **Robert Goforth**, 727 Middleton La.,
Murfreesboro, TN (US) 37130; **Russ Goforth**, 1625 Dexter Woods Dr.,
Memphis, TN (US) 38016

* cited by examiner

Primary Examiner—Alan P. Douglas

Assistant Examiner—Susan M Lee

(74) *Attorney, Agent, or Firm*—Stephen J. Stark; Miller & Martin PLLC

(**) **Term:** **14 Years**

(21) **Appl. No.:** **29/210,559**

(57) **CLAIM**

(22) **Filed:** **Aug. 3, 2004**

The ornamental design for the bird shoulder perch, as shown and described.

(51) **LOC (8) Cl.** **30-99**

(52) **U.S. Cl.** **D30/199; 119/537**

(58) **Field of Search** D30/199, 144;
119/537, 531, 714, 713, 717; 2/459, 16

DESCRIPTION

FIG. 1 is a right side perspective view of the bird shoulder perch;

FIG. 2 is a top elevation view;

FIG. 3 is a bottom elevation view;

FIG. 4 is a right side elevation view;

FIG. 5 is a left side elevation view;

FIG. 6 is a front elevation view;

FIG. 7 is a rear elevation view; and,

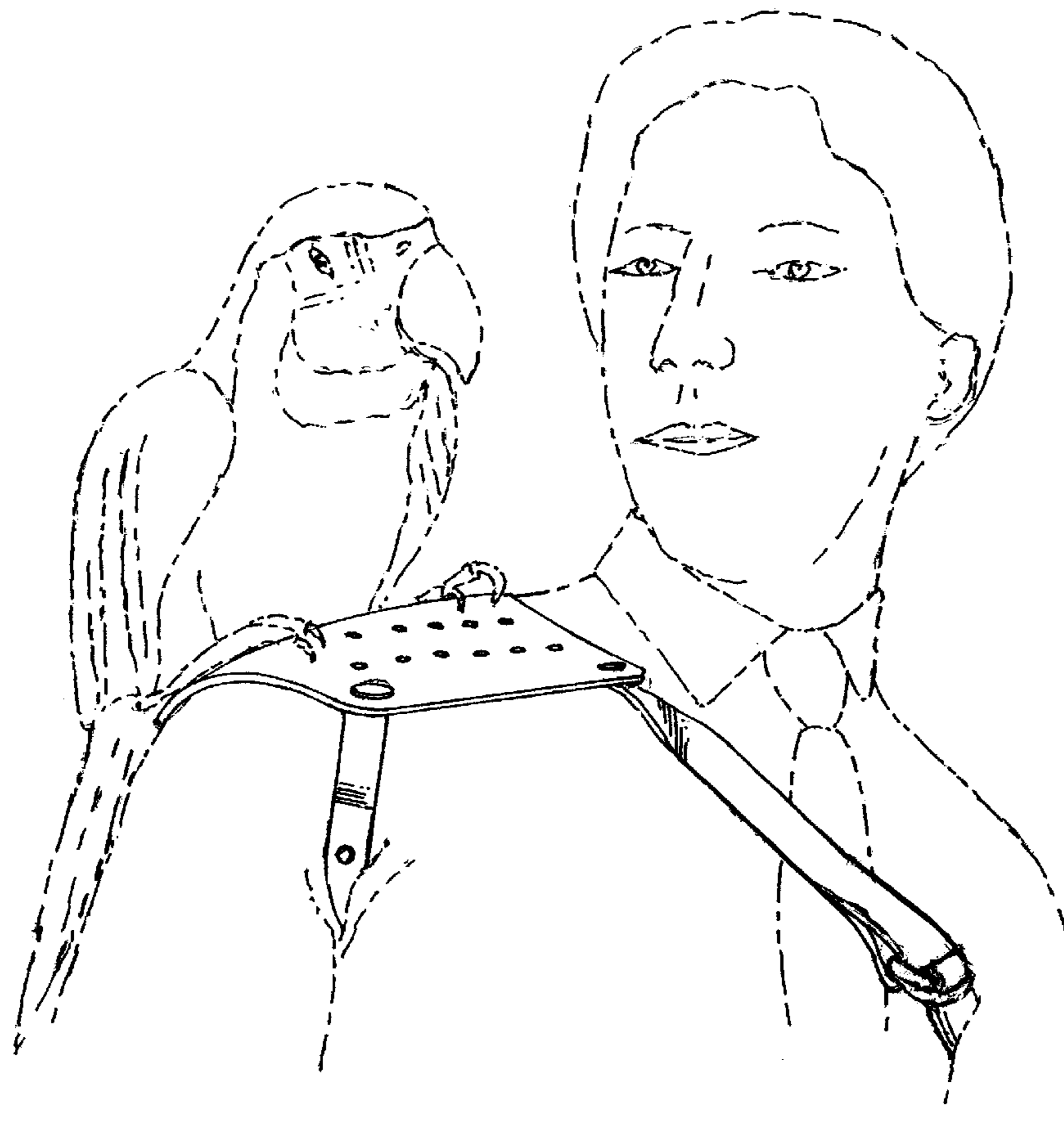
FIG. 8 is a perspective view of the device in use.

(56) **References Cited**

U.S. PATENT DOCUMENTS

4,353,133	A	*	10/1982	Williams	2/459
4,514,862	A	*	5/1985	A'Costa	2/459
4,807,568	A	*	2/1989	Perry et al.	119/537
5,331,921	A	*	7/1994	VanVonno	119/537
5,363,803	A	*	11/1994	Serro	119/537
5,410,756	A	*	5/1995	Hutson	2/459

1 Claim, 4 Drawing Sheets



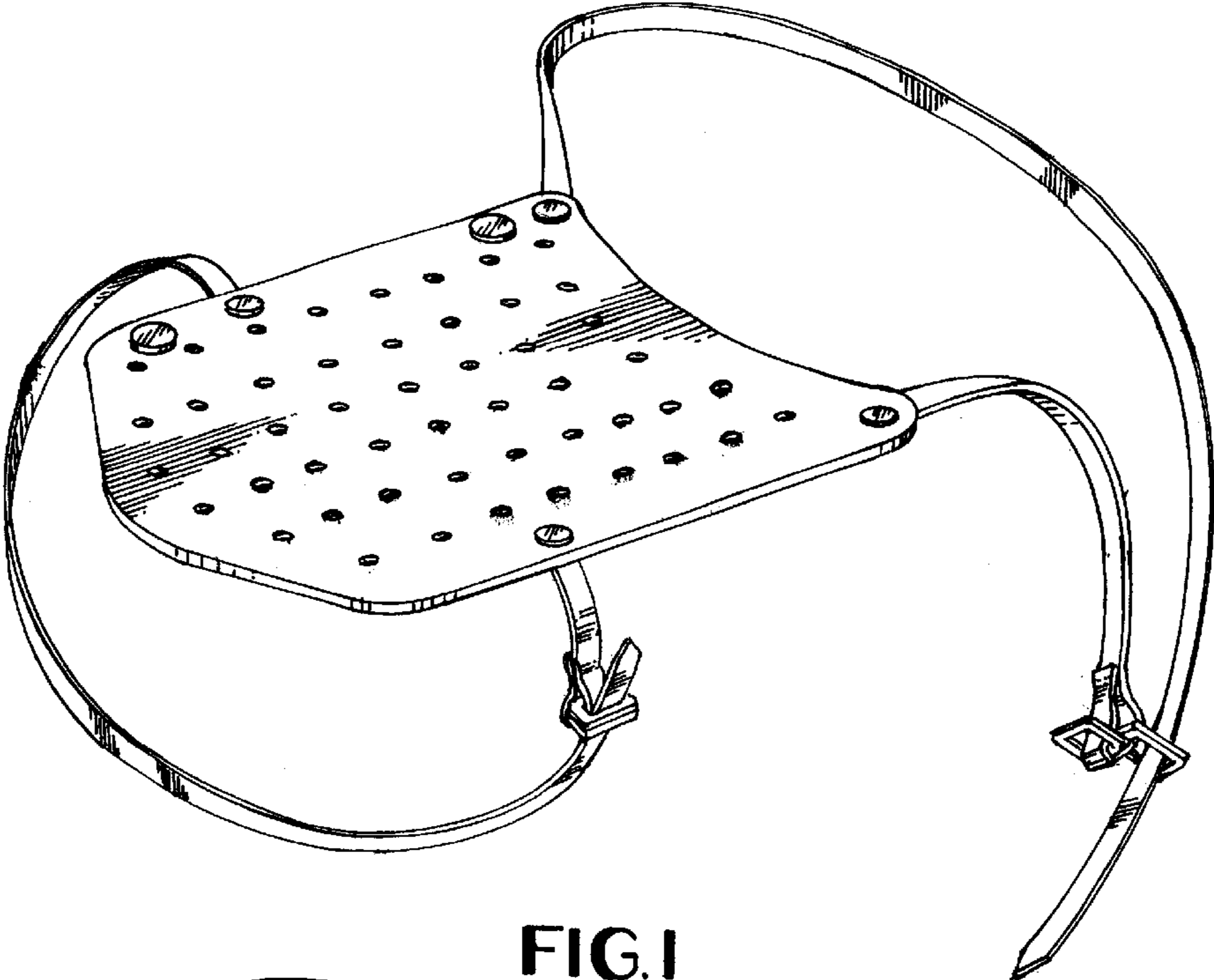


FIG. 1

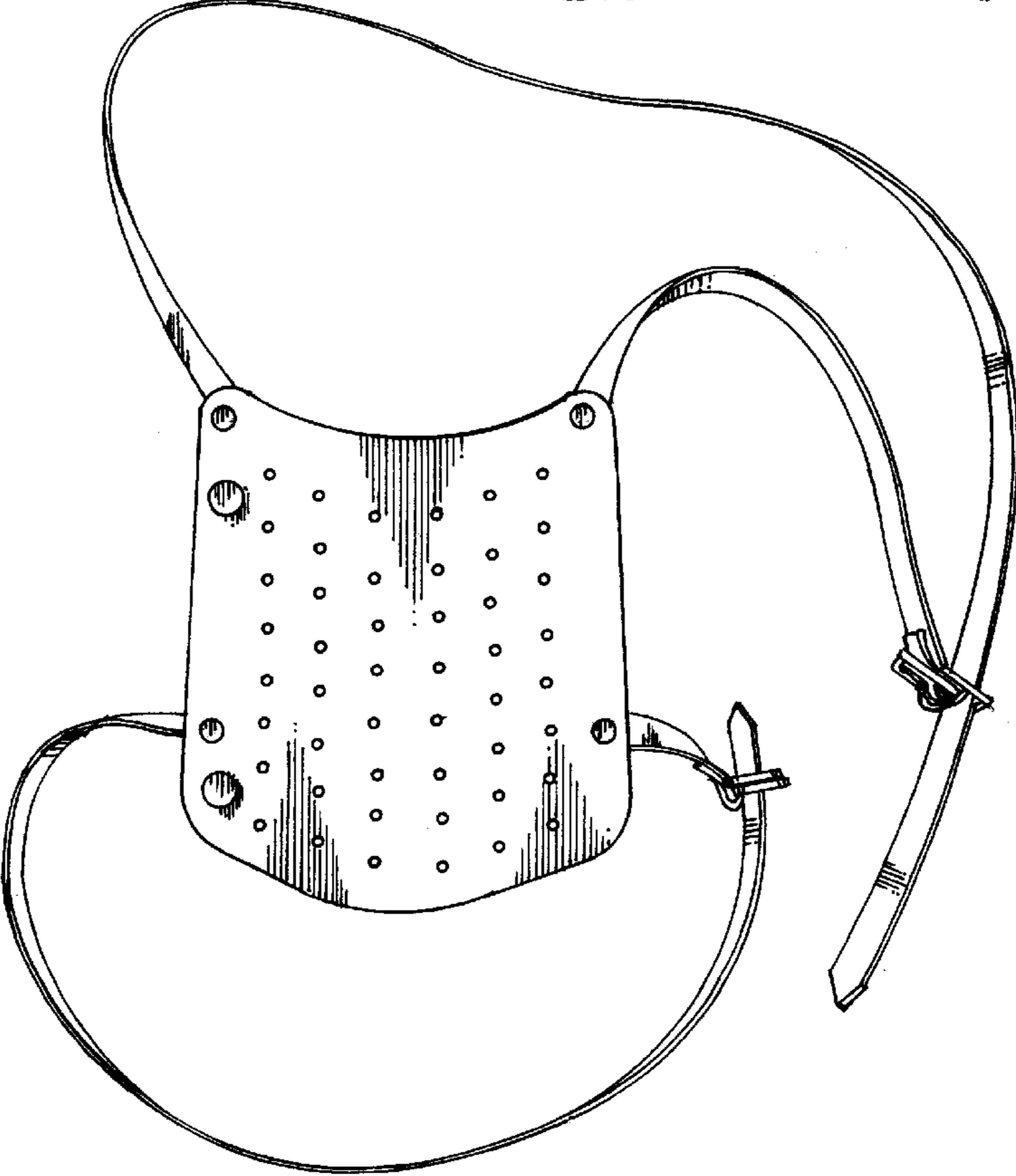


FIG. 2

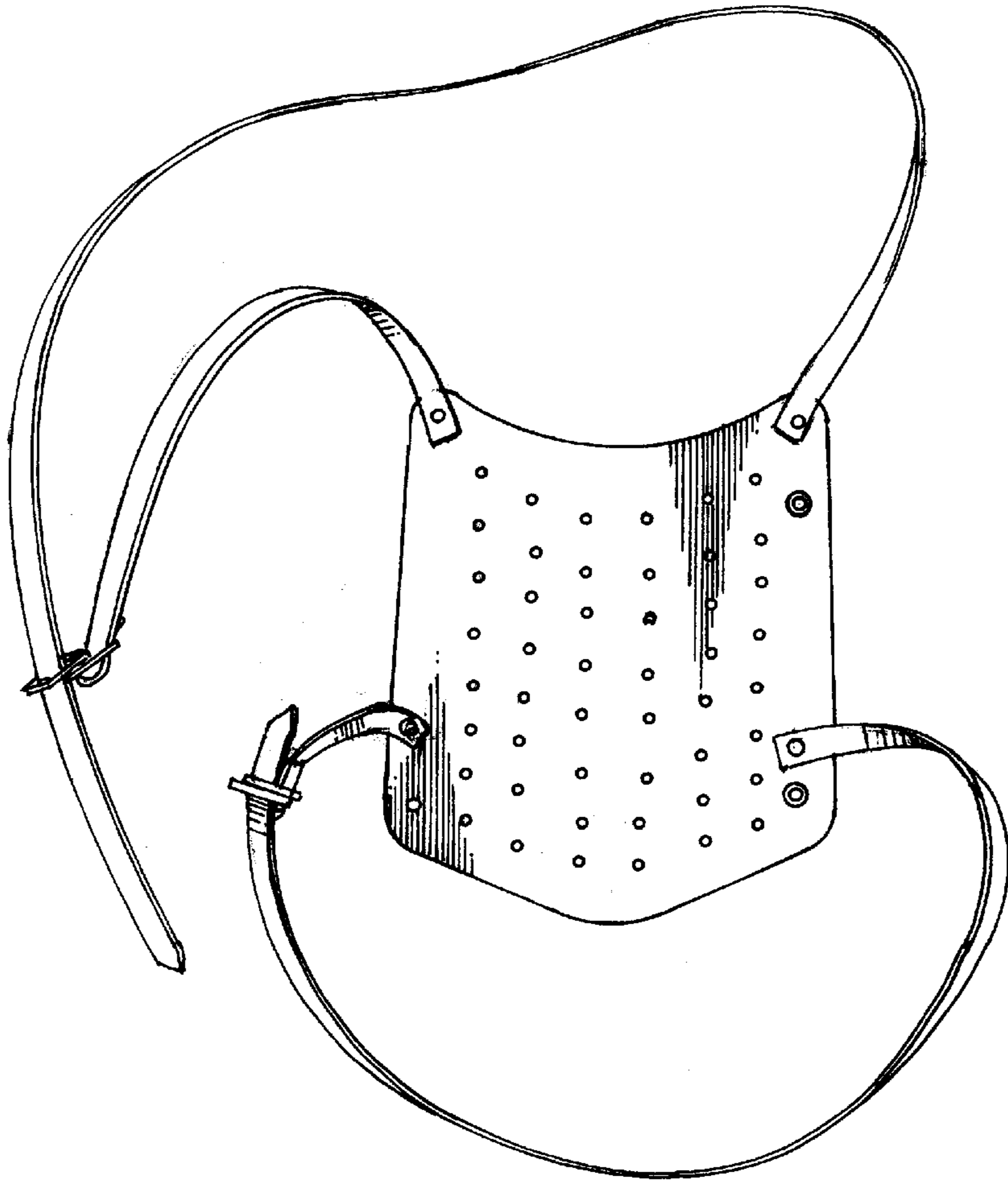


FIG. 3

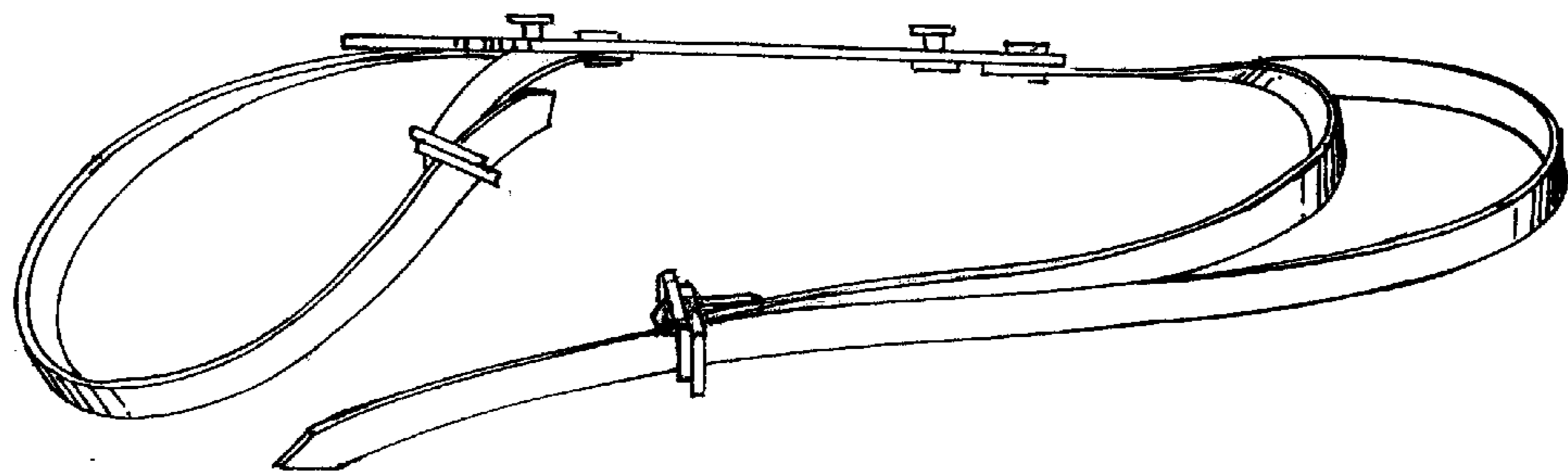


FIG. 4

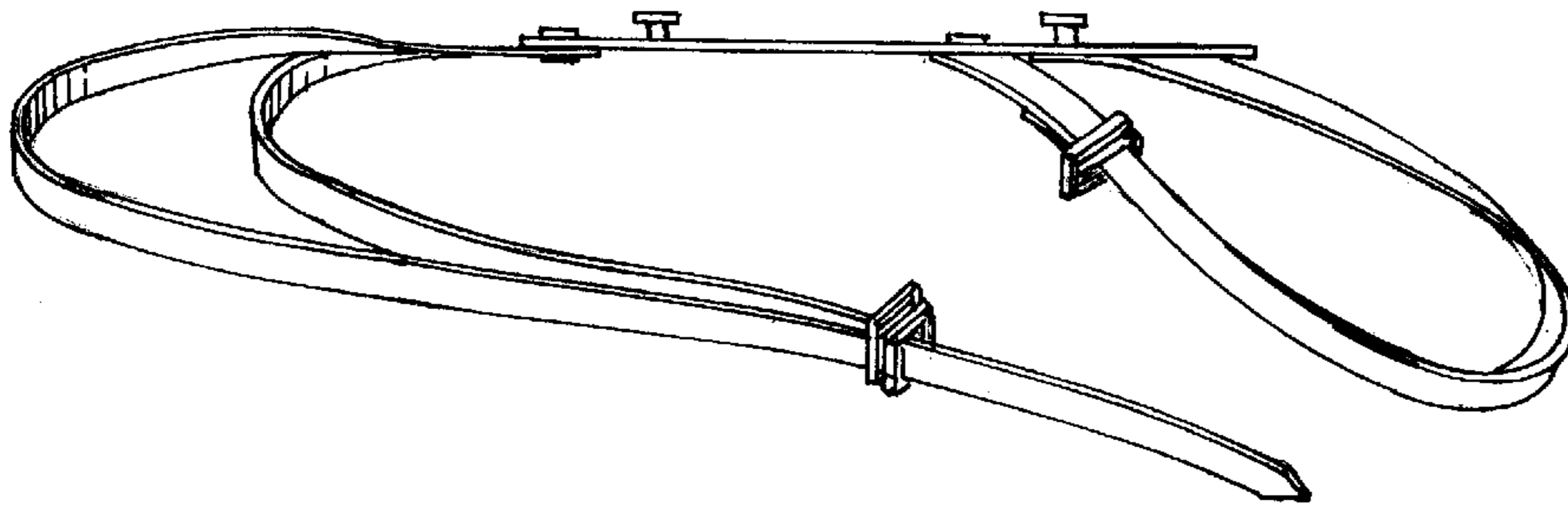


FIG. 5

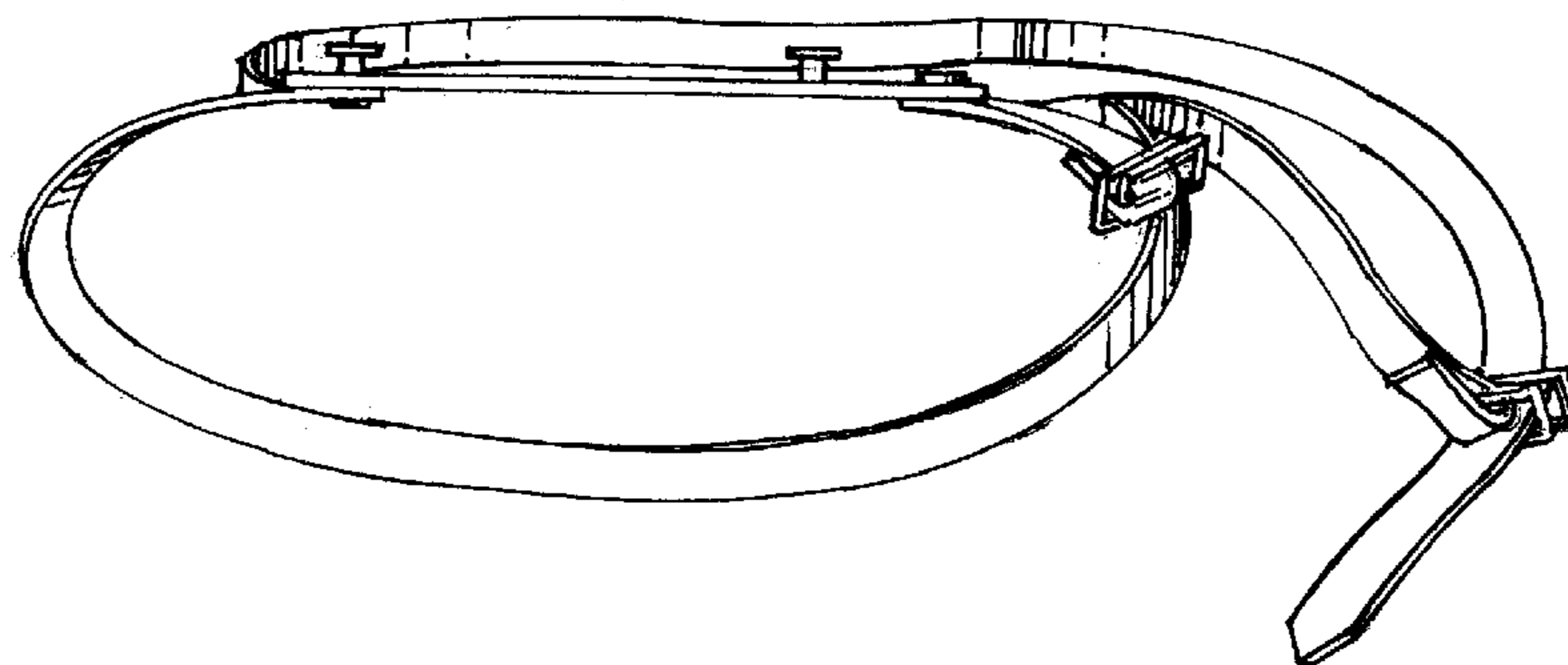


FIG. 6

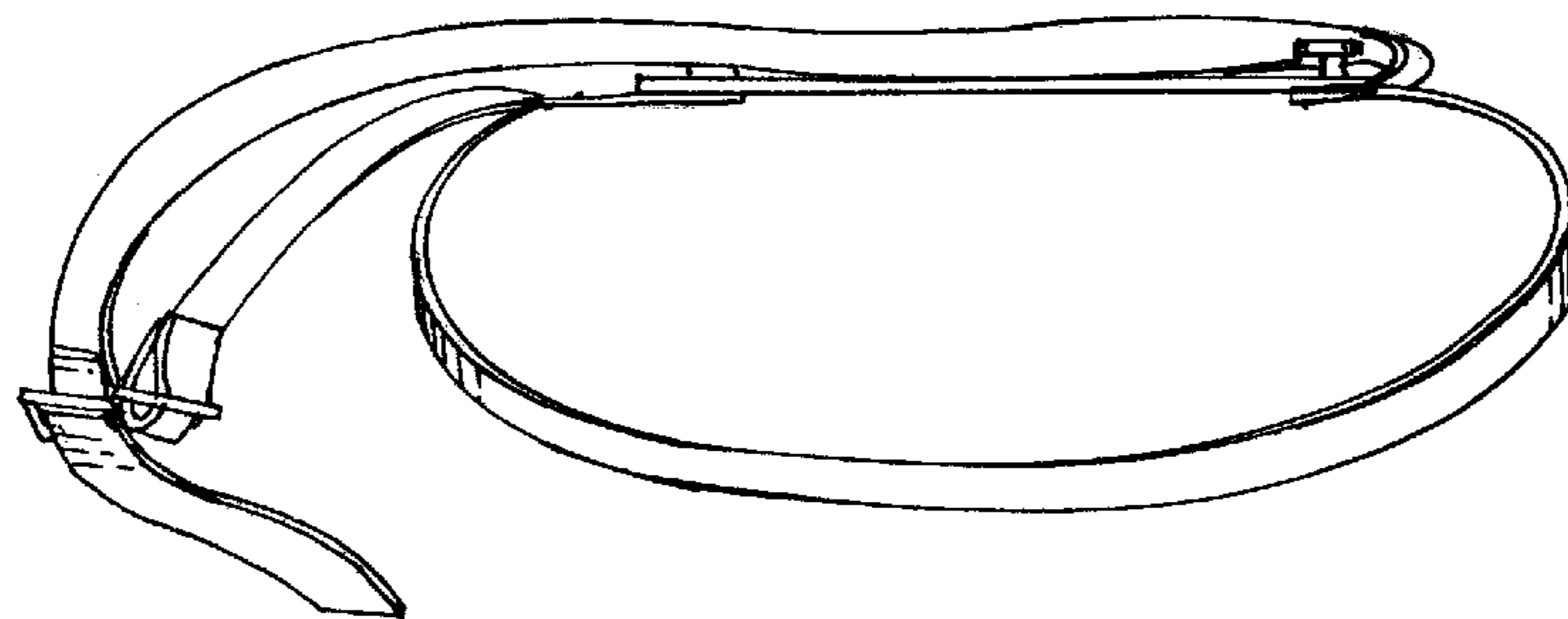


FIG. 7

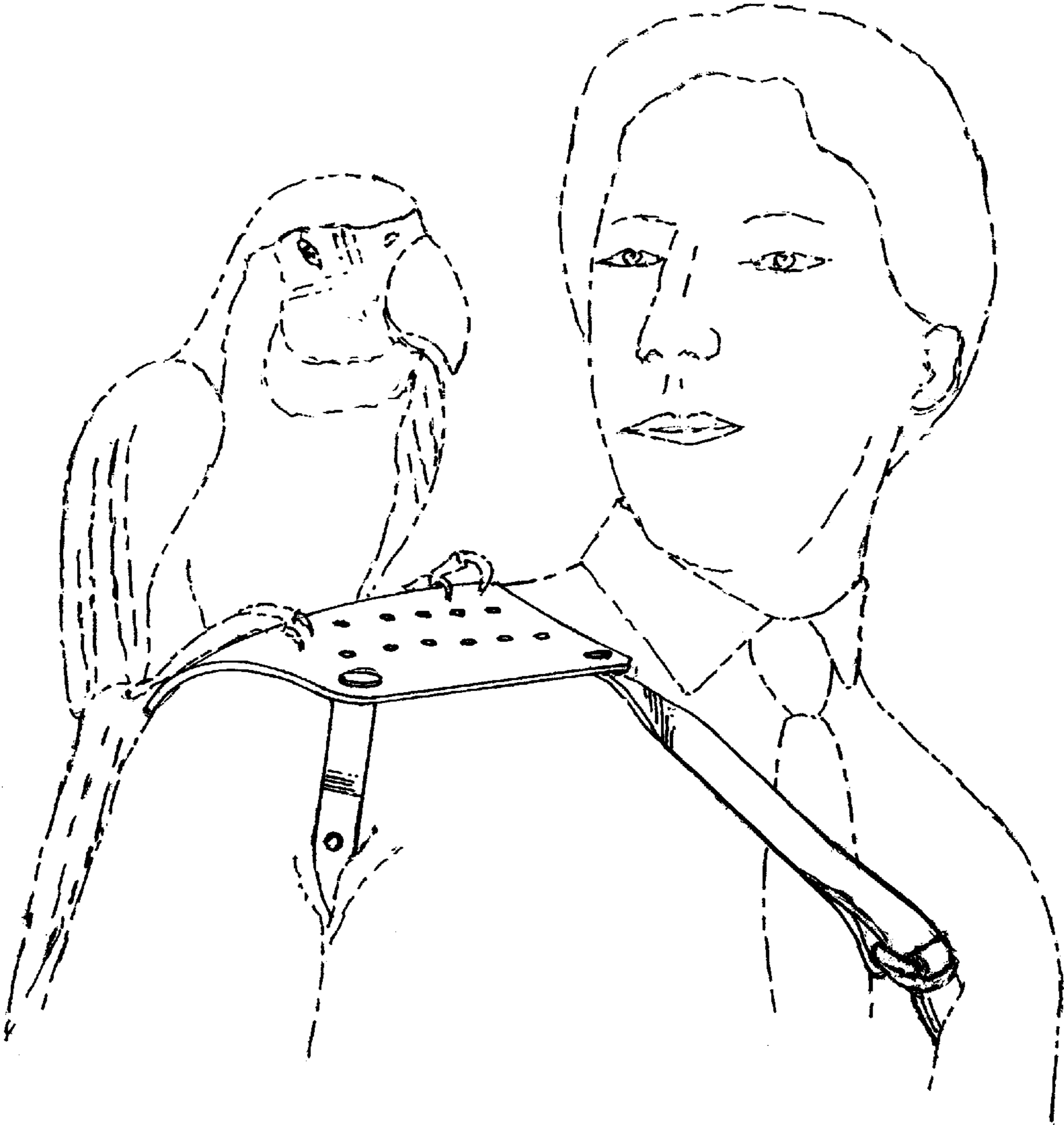


FIG. 8