



US00D510461S

(12) **United States Design Patent** (10) **Patent No.:** **US D510,461 S**
Vu (45) **Date of Patent:** **** Oct. 4, 2005**

(54) **DENTAL FLOSS DISPENSER**

D475,282 S * 6/2003 Snaith et al. D9/420
D493,576 S * 7/2004 Ward D28/66

(75) Inventor: **Duy Phong Vu**, Frankfurt am Main (DE)

FOREIGN PATENT DOCUMENTS

(73) Assignee: **The Gillette Company**, Boston, MA (US)

DE	40104819.5	5/2001
EP	26018-0001	8/2003
EP	34665-0001	9/2003
EP	41710-0001	11/2003

(**) Term: **14 Years**

* cited by examiner

(21) Appl. No.: **29/205,675**

Primary Examiner—Lucy Lieberman

(22) Filed: **May 19, 2004**

(74) *Attorney, Agent, or Firm*—Fish & Richardson P.C.

(30) **Foreign Application Priority Data**

(57) **CLAIM**

Nov. 20, 2003 (WO) DMA/006 147

The ornamental design for a dental floss dispenser, as shown and described.

(51) **LOC (8) Cl.** **28-03**

DESCRIPTION

(52) **U.S. Cl.** **D28/66**

(58) **Field of Search** D28/65–68; D9/529, D9/521, 419, 420; D3/205, 203.1; 206/63.5; 242/137, 137.1, 138; 225/80, 85, 47

FIG. 1 is a perspective view of a dental floss dispenser showing the new design;

(56) **References Cited**

U.S. PATENT DOCUMENTS

2,268,547 A	*	1/1942	Haines	242/137.1
D167,777 S	*	9/1952	Spender	D9/420
D189,076 S	*	10/1960	Altman	D24/110
D214,019 S	*	5/1969	Newman	D9/521
4,966,319 A	*	10/1990	Fleming	224/615
D343,792 S	*	2/1994	Bunce et al.	D9/529
D399,603 S		10/1998	Hemsley, Jr. et al.		
D399,604 S		10/1998	Wolff		
D410,114 S		5/1999	Carabello		
D417,311 S		11/1999	Hester		
D449,536 S	*	10/2001	Kokubo et al.	D9/529
D456,565 S		4/2002	Scarpelli		

FIG. 2 is a front view of the dental floss dispenser of FIG. 1;

FIG. 3 is a right side view of the dental floss dispenser of FIG. 1;

FIG. 4 is a rear view of the dental floss dispenser of FIG. 1;

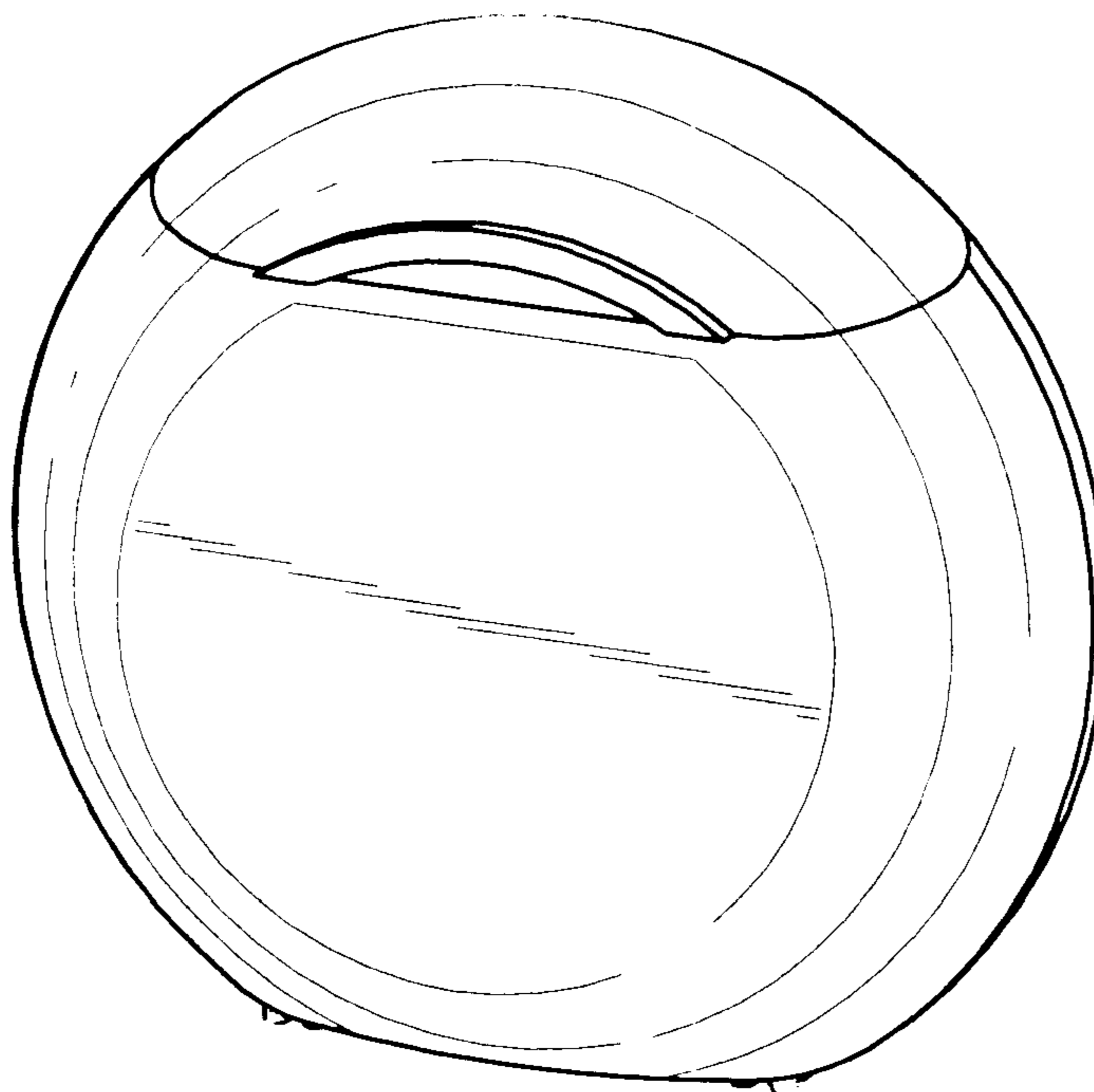
FIG. 5 is a left side view of the dental floss dispenser of FIG. 1;

FIG. 6 is a top plan view of the dental floss dispenser of FIG. 1; and,

FIG. 7 is a bottom plan view of the dental floss dispenser of FIG. 1.

The broken lines shown in FIGS. 1 through 5 and 7 are for illustrative purposes only and do not form part of the claimed design.

1 Claim, 1 Drawing Sheet



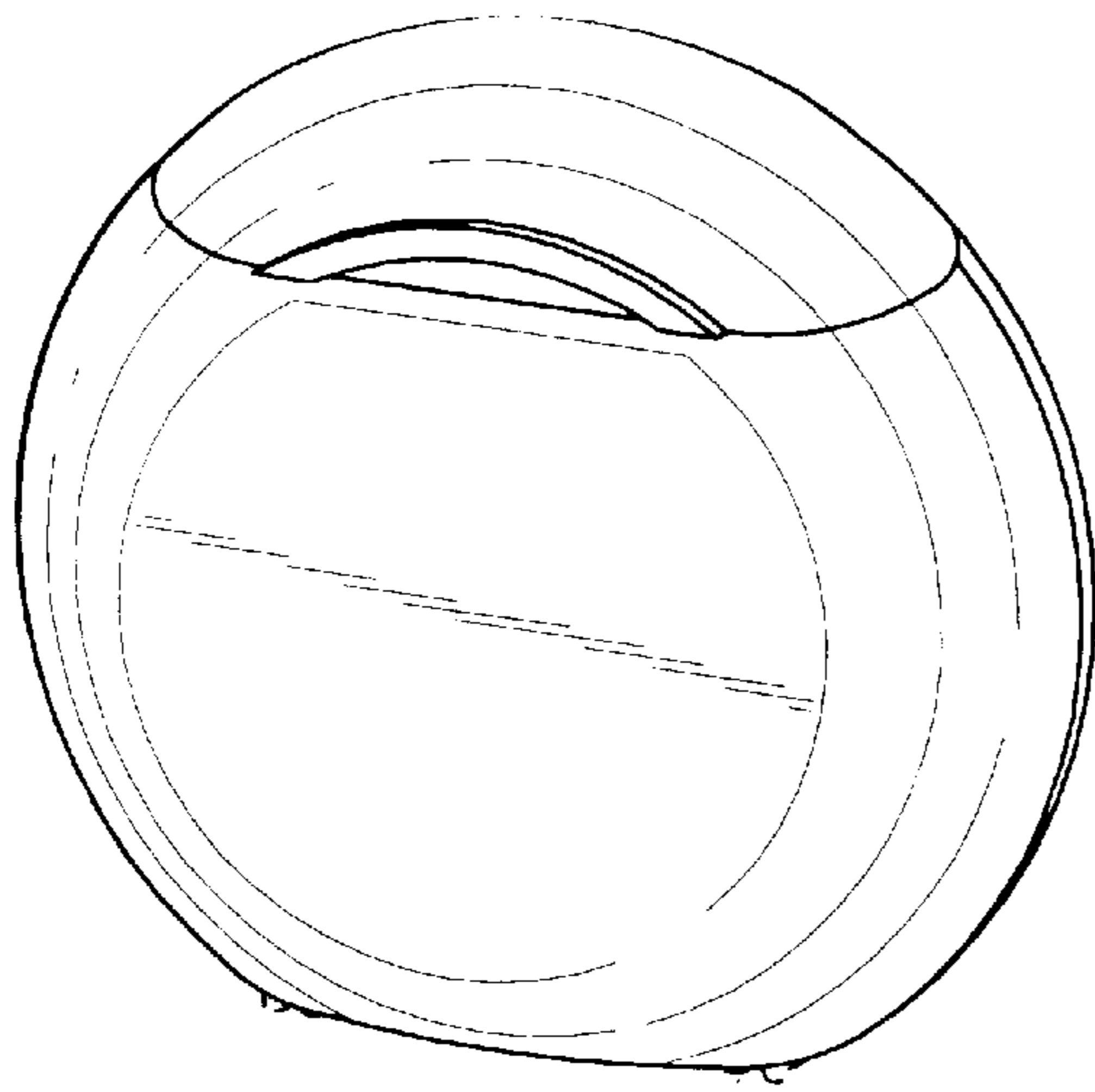


Fig. 1

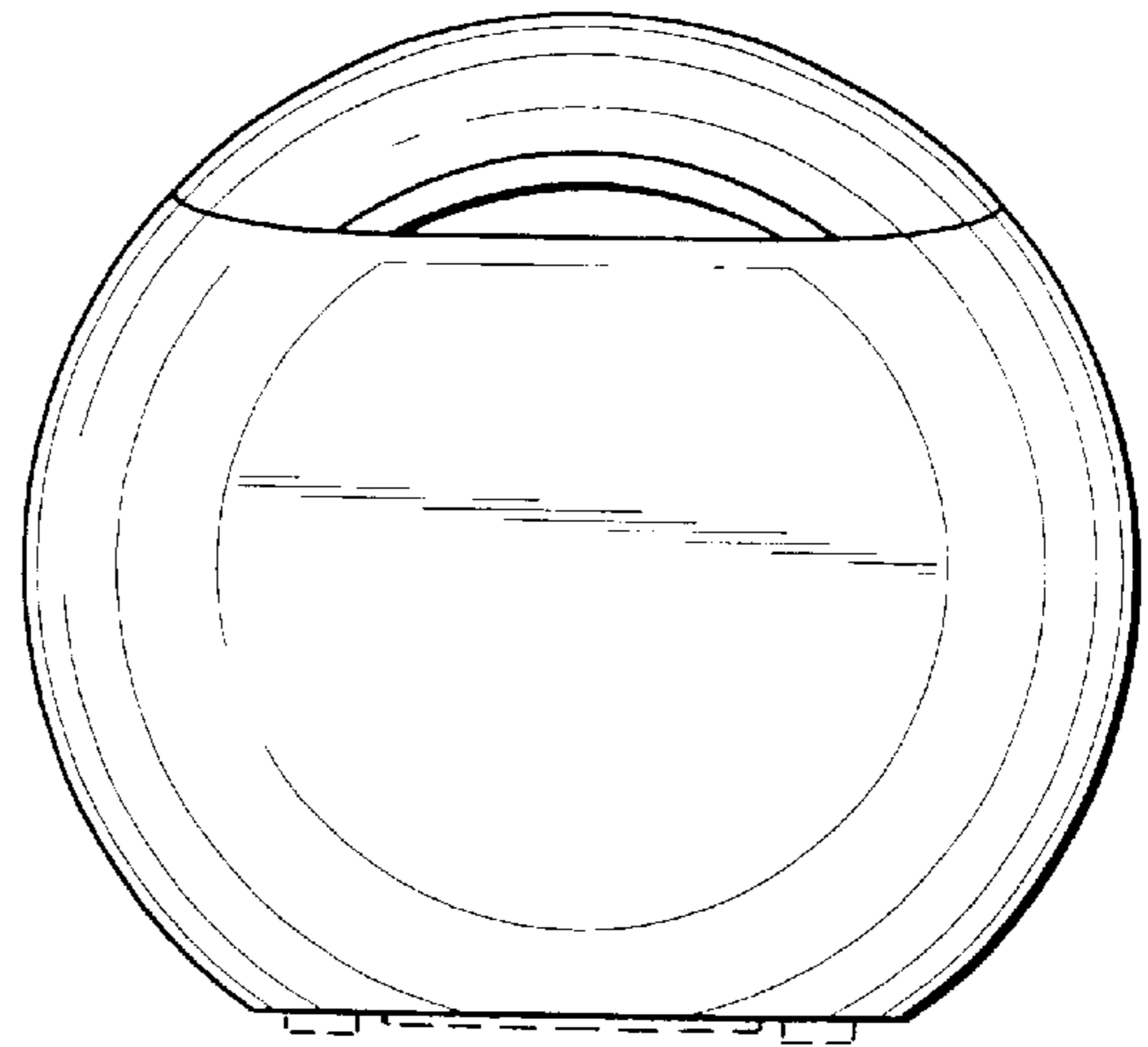


Fig. 2

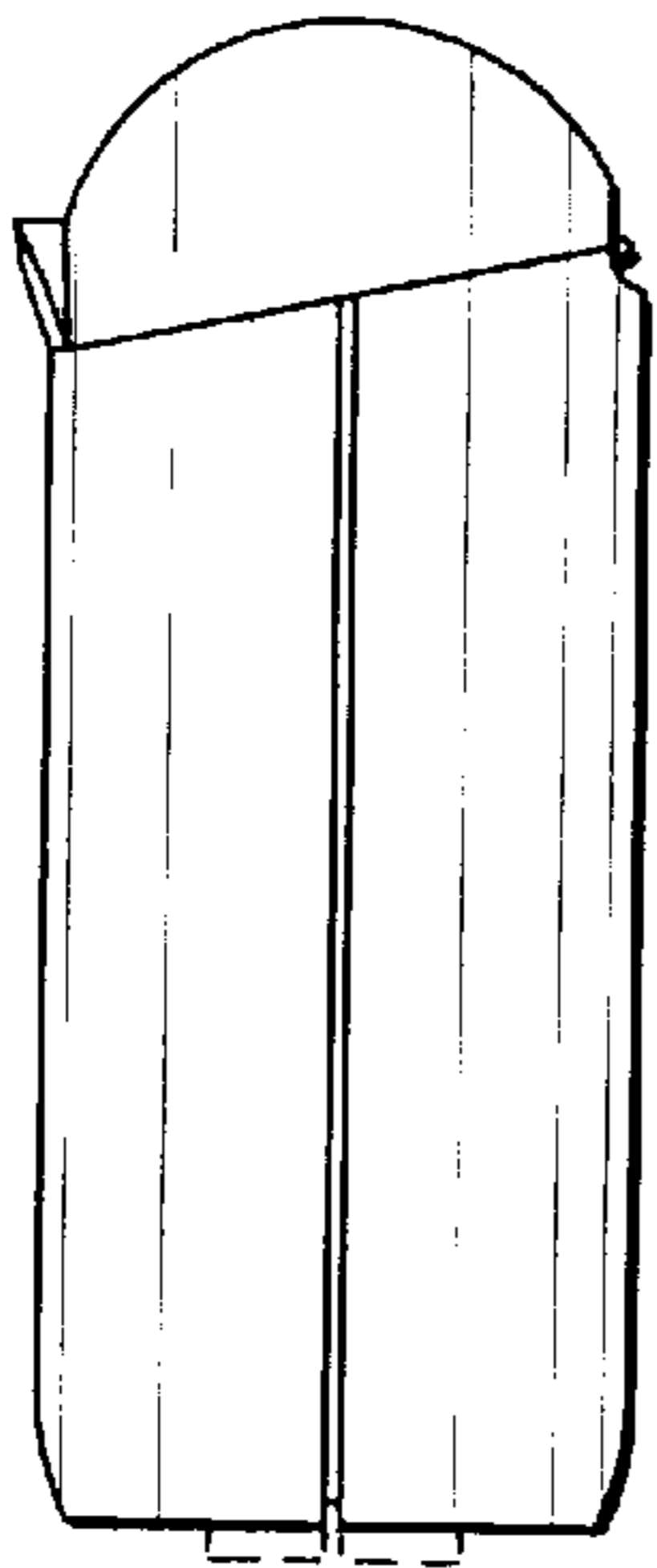


Fig. 3

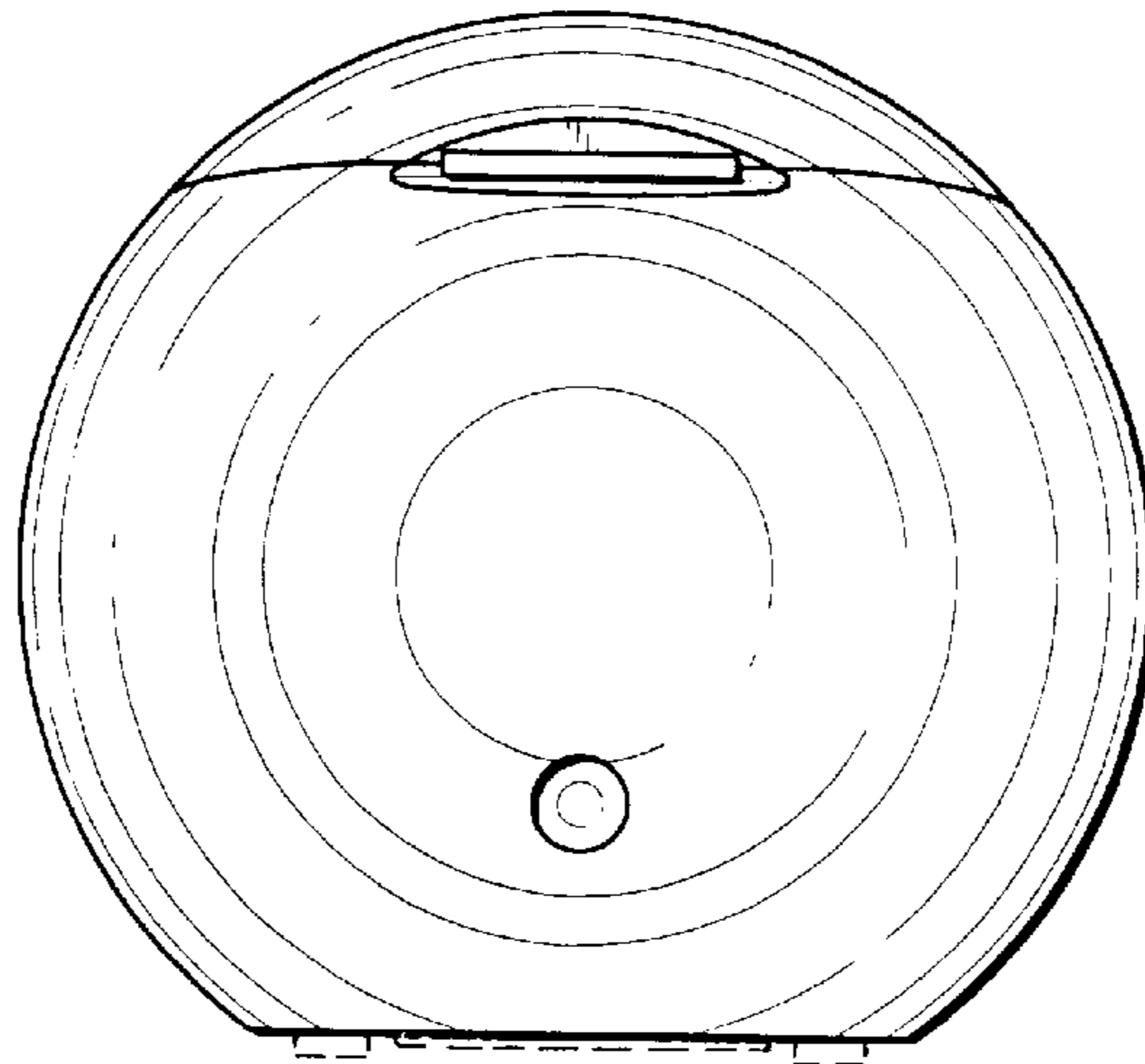


Fig. 4

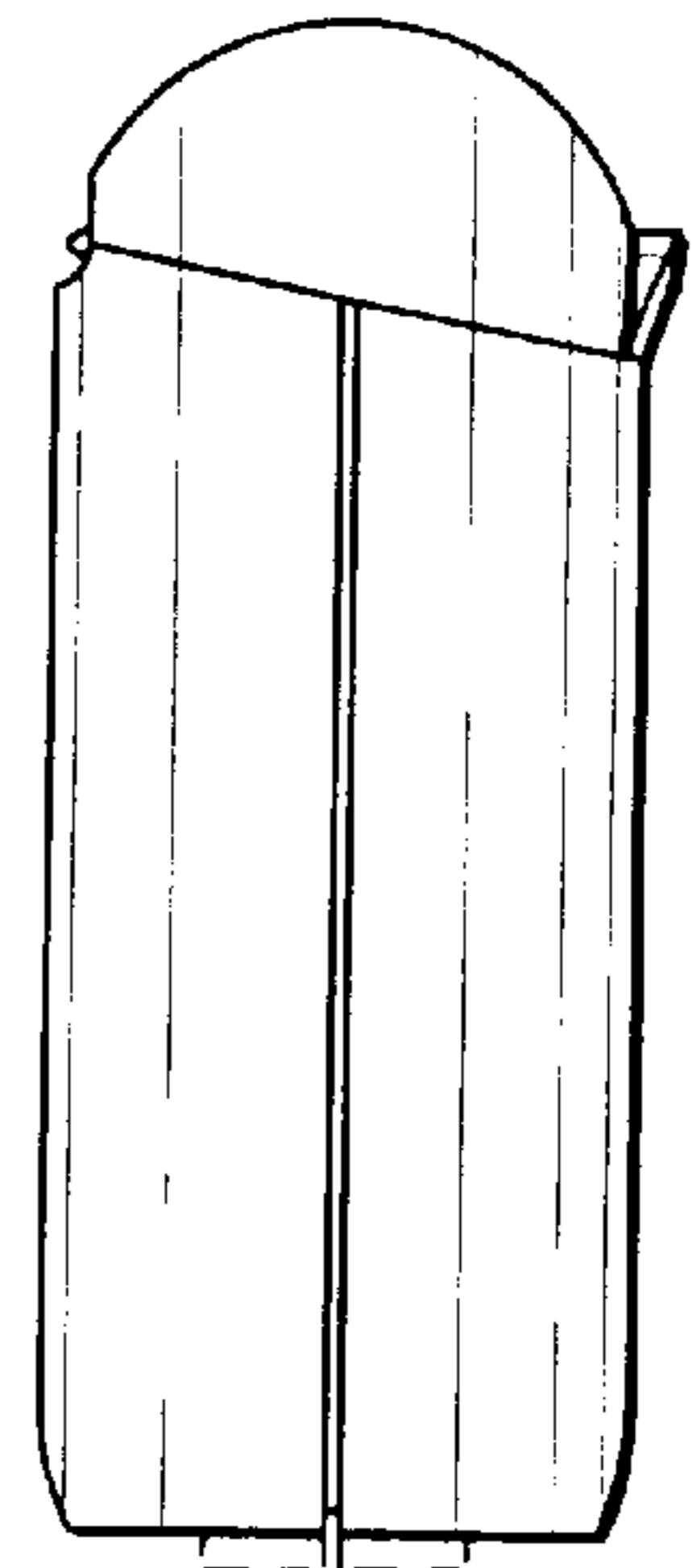


Fig. 5

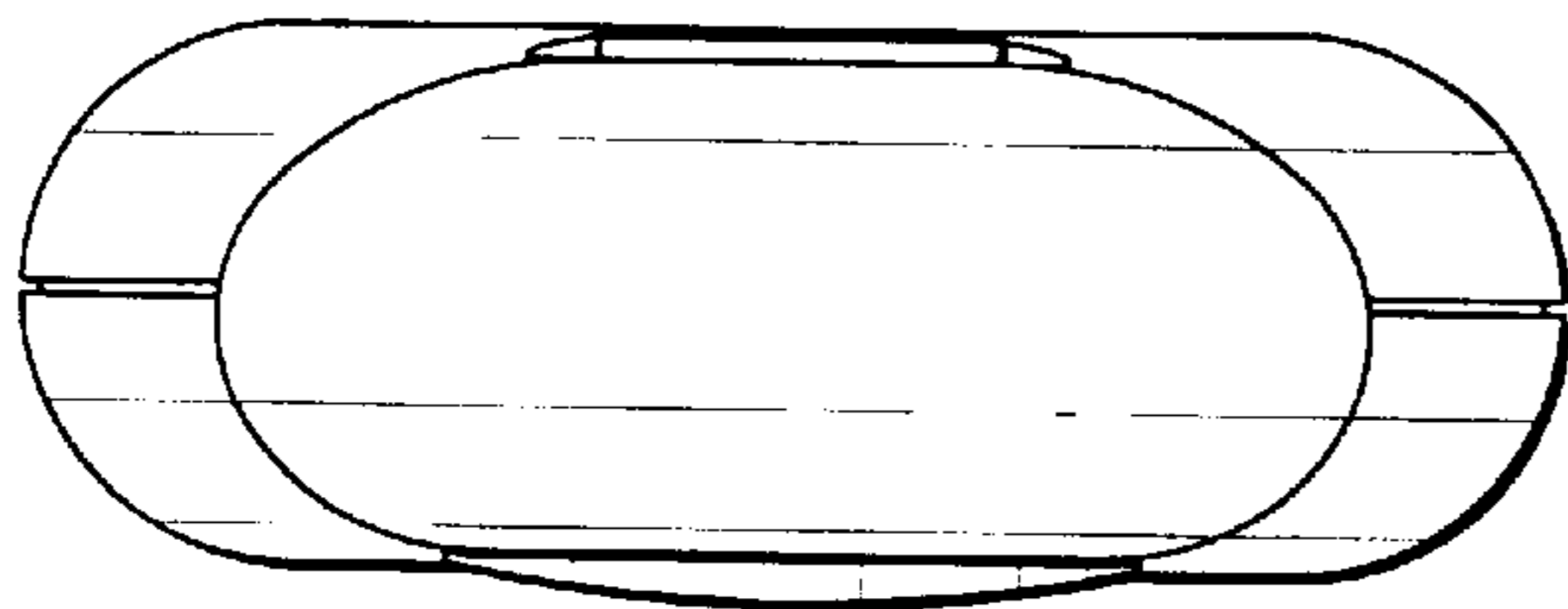


Fig. 6

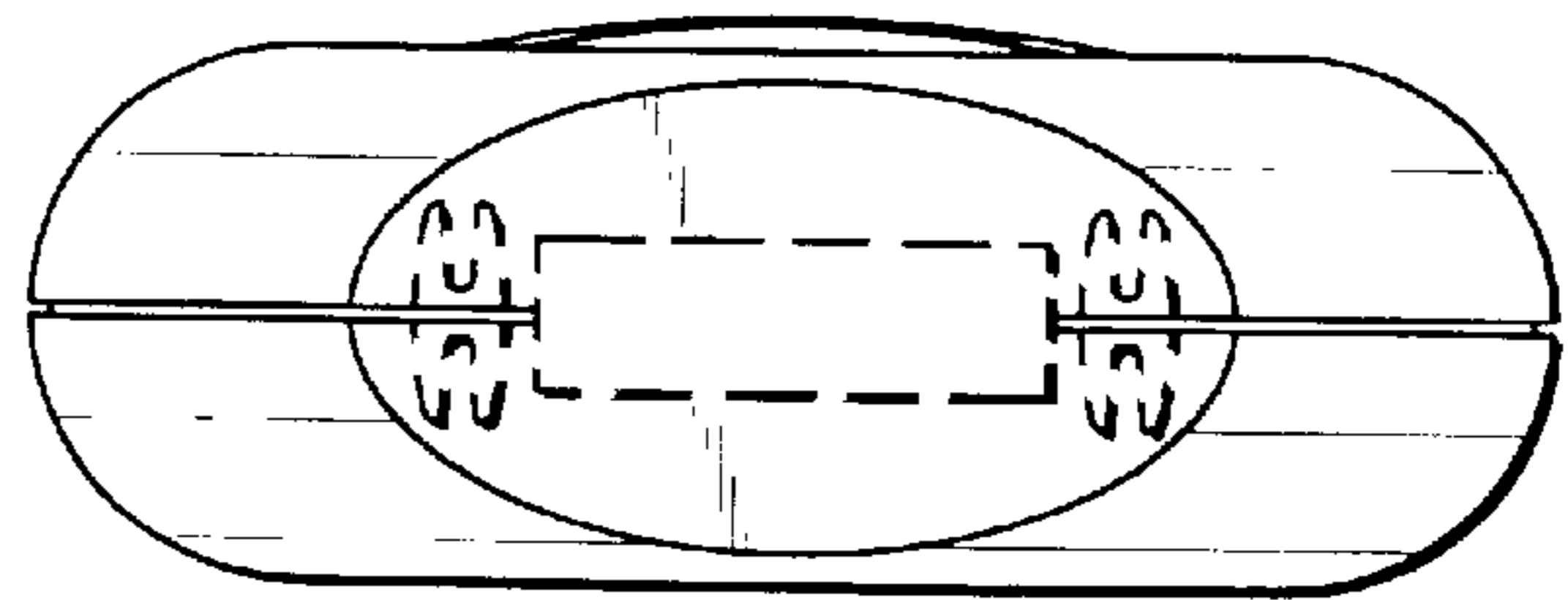


Fig. 7