



US00D510457S

(12) **United States Design Patent**
Chen

(10) **Patent No.:** **US D510,457 S**

(45) **Date of Patent:** **** Oct. 4, 2005**

(54) **LIGHTER**

D498,020 S * 11/2004 Wong D27/157

(76) **Inventor:** **Peter Chen**, 5220 Fourth St., #6,
Irwindale, CA (US) 91706

* cited by examiner

(**) **Term:** **14 Years**

Primary Examiner—Jennifer Rivard

(21) **Appl. No.:** **29/218,053**

(74) *Attorney, Agent, or Firm*—Raymond Y. Chan; David
and Raymond

(22) **Filed:** **Nov. 26, 2004**

(57) **CLAIM**

The ornamental design for a lighter, as shown.

(51) **LOC (8) Cl.** **27-05**

DESCRIPTION

(52) **U.S. Cl.** **D27/157; D27/159**

(58) **Field of Search** D27/141, 143,
D27/154–161; 431/125, 126, 151, 153,
253–255, 273–277

FIG. 1 is a perspective view showing my new design.

FIG. 2 is a front view thereof.

FIG. 3 is a rear view thereof.

FIG. 4 is a left end view thereof.

FIG. 5 is a right end view thereof.

FIG. 6 is a top view thereof; and,

FIG. 7 is a bottom view thereof.

(56) **References Cited**

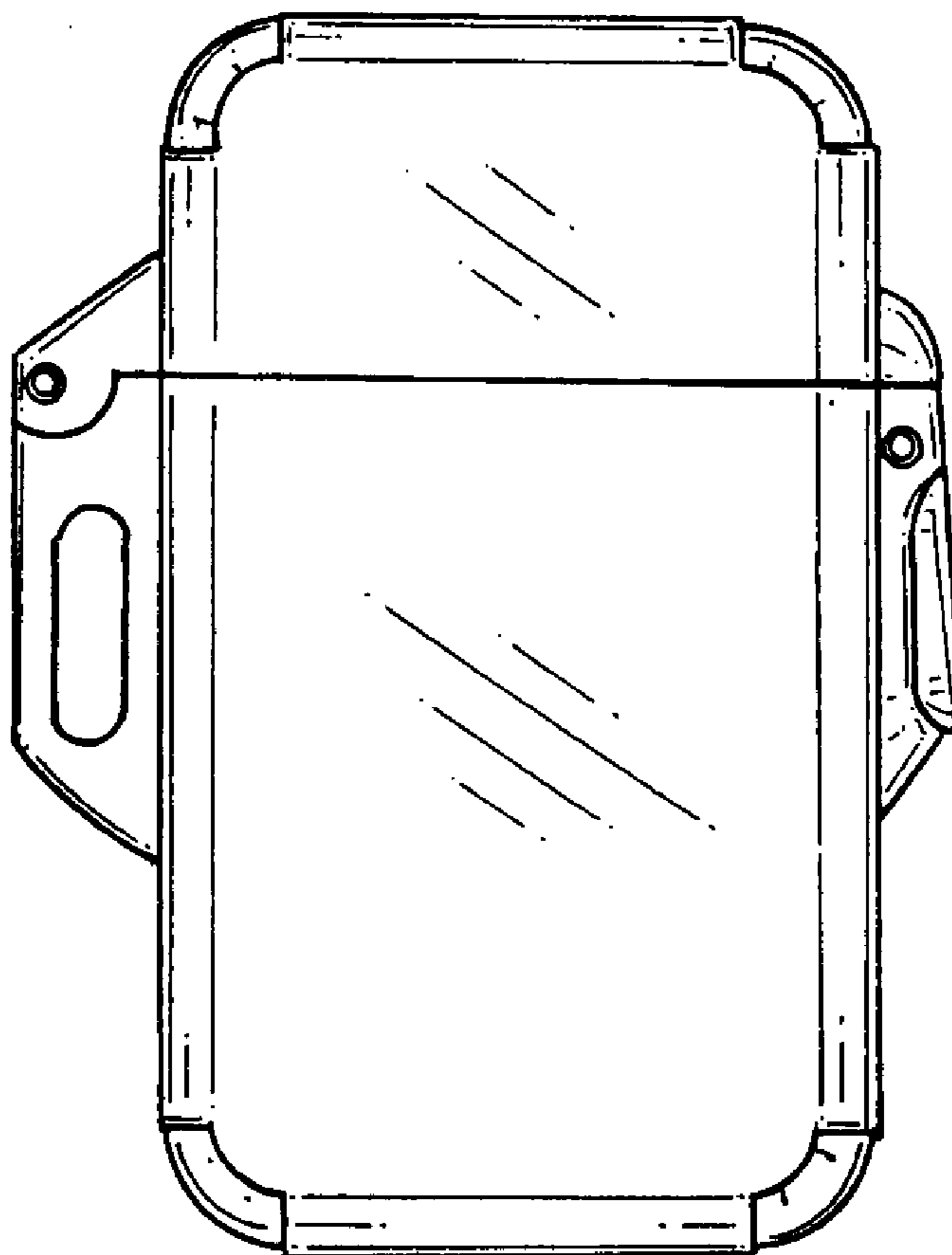
U.S. PATENT DOCUMENTS

D43,818 S * 4/1913 Goerdes D27/157

D463,620 S * 9/2002 Smith D27/157

D488,585 S * 4/2004 Lin D27/157

1 Claim, 7 Drawing Sheets



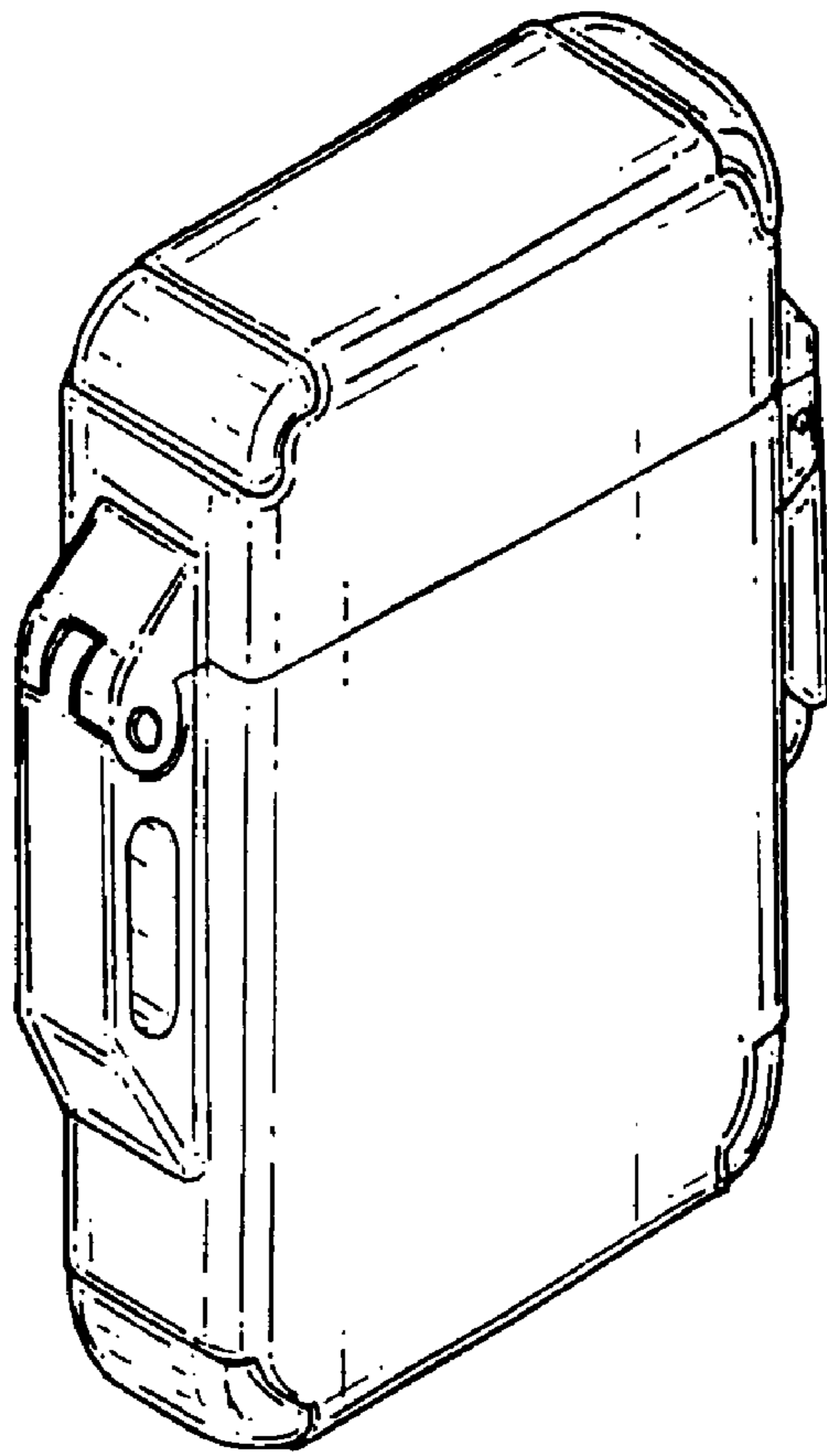


FIG. 1

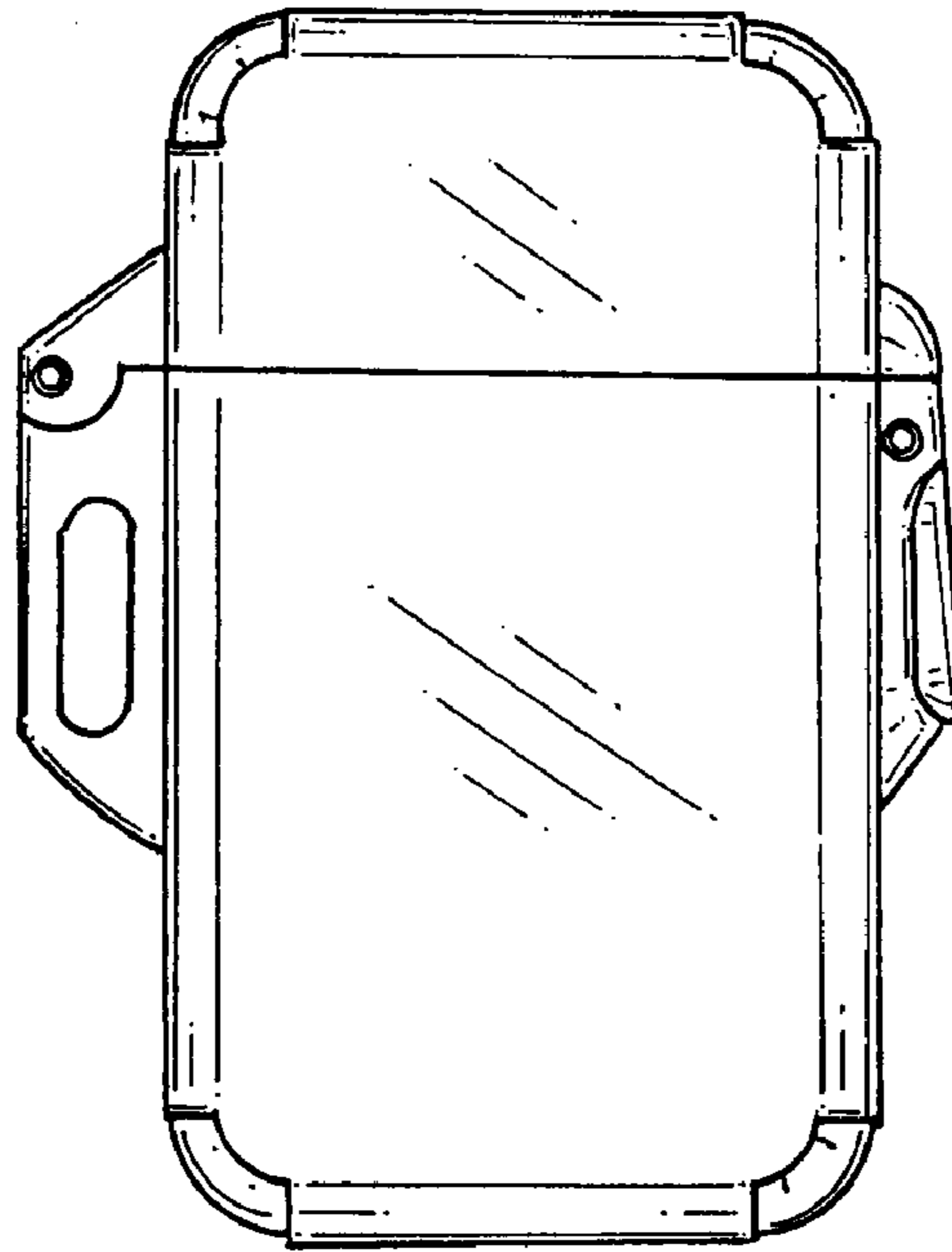


FIG. 2

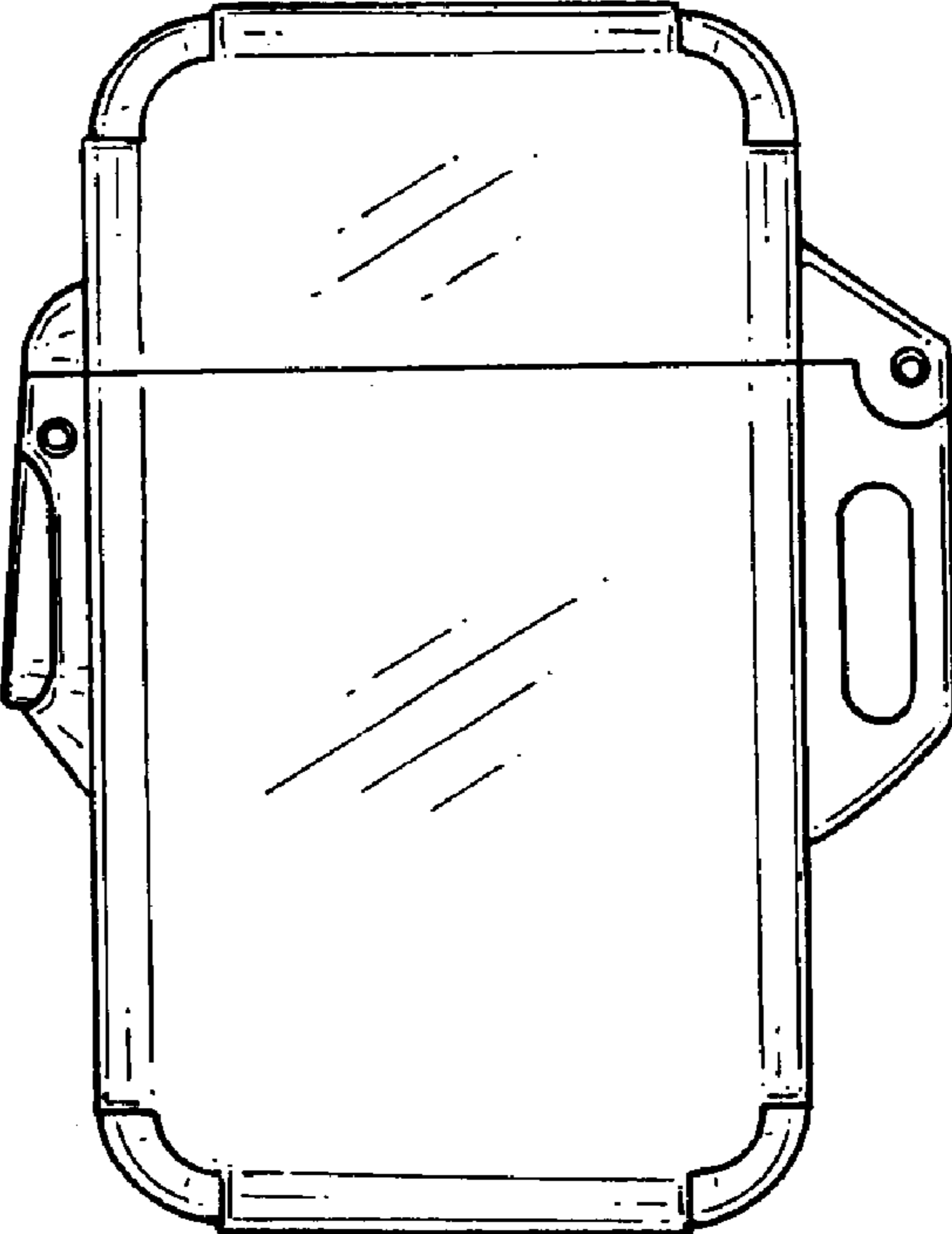


FIG. 3

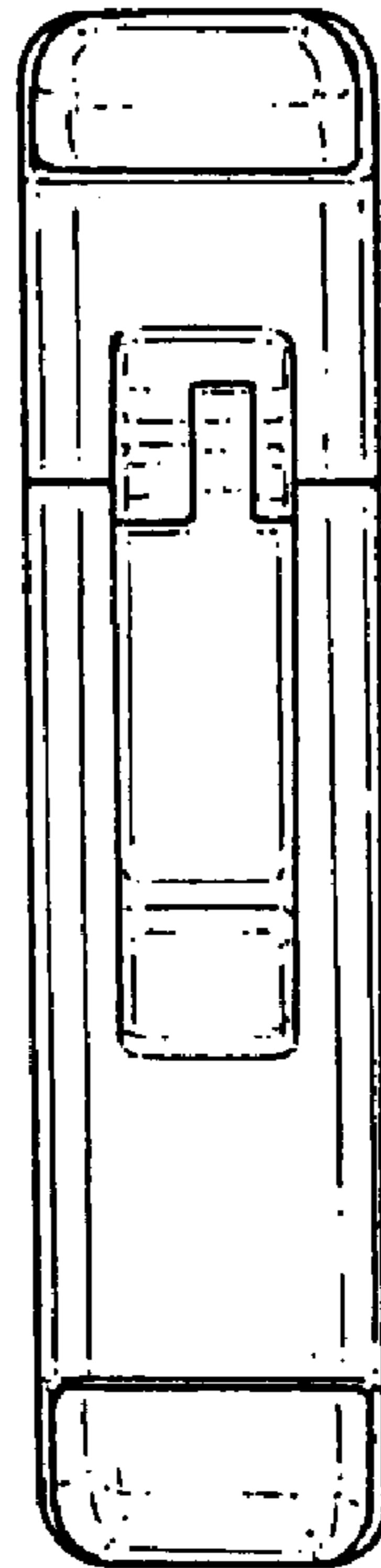


FIG. 4

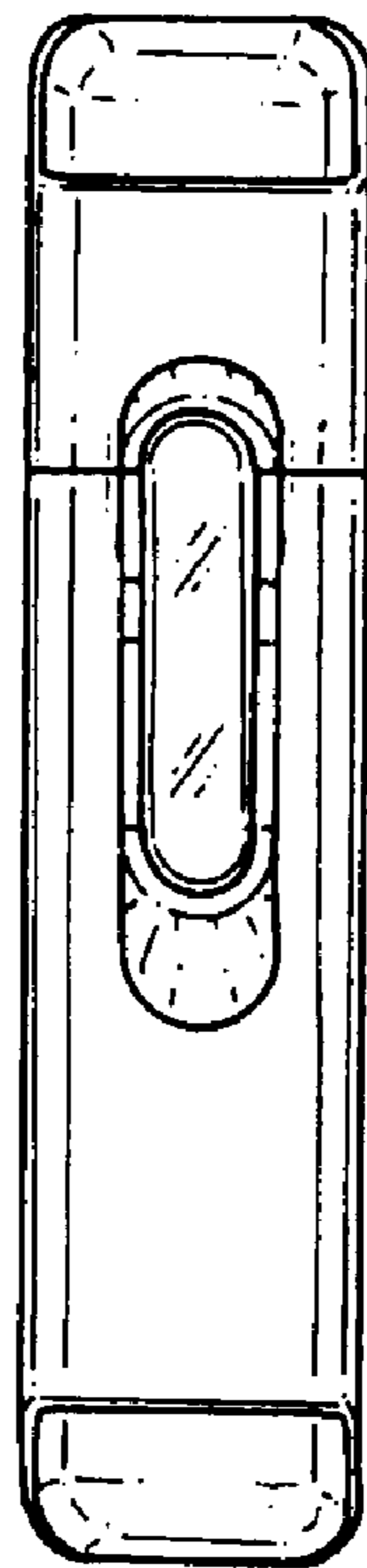


FIG. 5

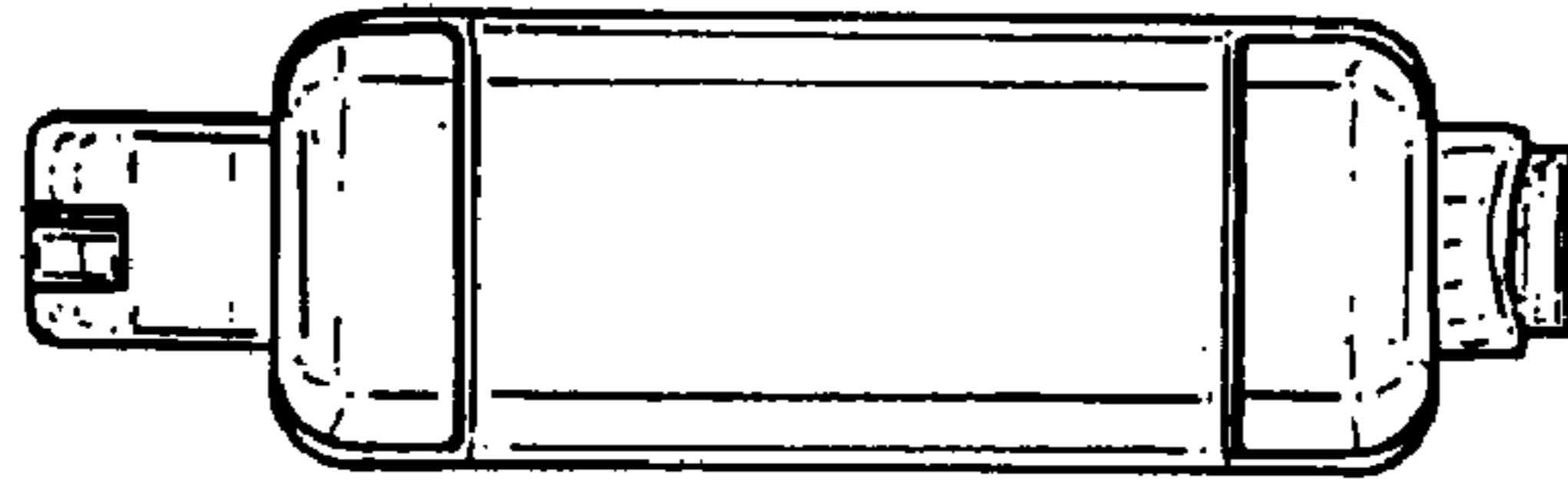


FIG. 6

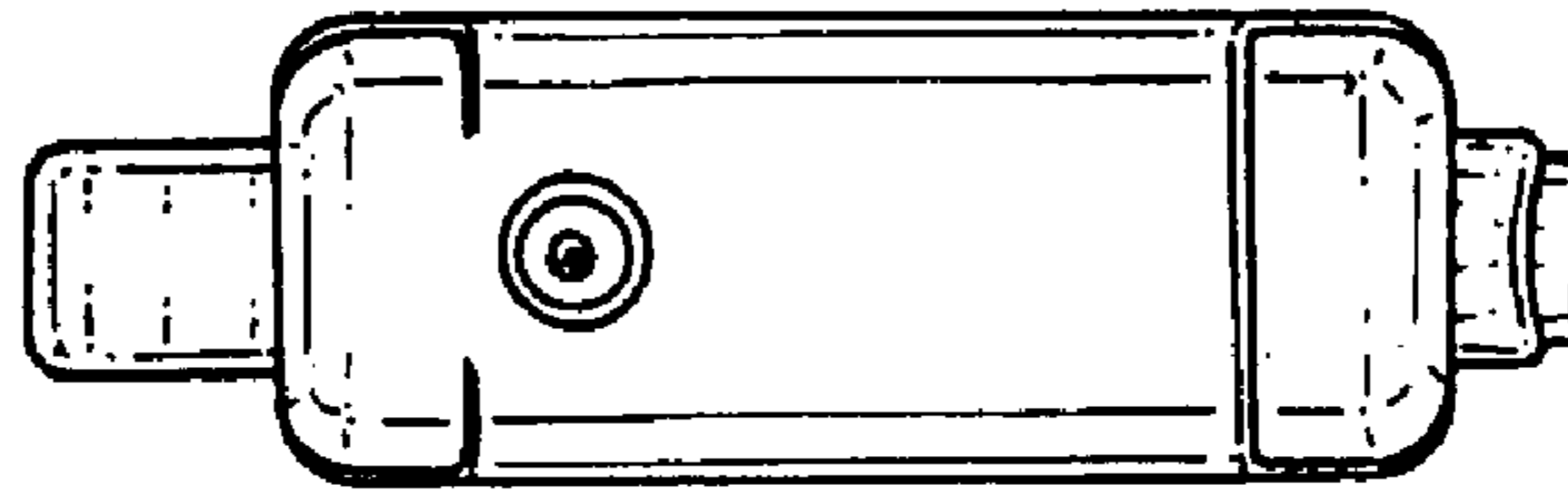


FIG. 7