



US00D510455S

(12) **United States Design Patent**
De'Armond

(10) **Patent No.:** **US D510,455 S**
(45) **Date of Patent:** **** Oct. 4, 2005**

(54) **LAMP SUPPORT ARM**

(75) **Inventor:** **Robert De'Armond**, Temecula, CA (US)

(73) **Assignee:** **Minka Lighting, Inc.**, Corona, CA (US)

(**) **Term:** **14 Years**

(21) **Appl. No.:** **29/210,969**

(22) **Filed:** **Aug. 9, 2004**

(51) **LOC (8) Cl.** **26-99**

(52) **U.S. Cl.** **D26/155; D26/145**

(58) **Field of Search** D26/24, 67, 71,
D26/72, 85-92, 142, 145, 149, 152, 154,
155, 118, 128-137; 362/147, 404-408,
432, 455, 457

(56) **References Cited**

U.S. PATENT DOCUMENTS

D48,367 S	*	1/1916	Garrison	D26/145
D61,376 S	*	8/1922	Newland	D26/92
D125,564 S	*	3/1941	Elting	D26/145
D403,103 S	*	12/1998	Wang	D26/155
D419,717 S	*	1/2000	Dolan	D26/155

OTHER PUBLICATIONS

The Great Outdoors 2004 Catalog by Minka-Lavery; Minka Lighting, Inc.; pp. 30-31.
U.S. Appl. No. 29/210,941, Robert De'Armond.

U.S. Appl. No. 29/210,942, Robert De'Armond.

U.S. Appl. No. 29/210,943, Robert De'Armond.

U.S. Appl. No. 29/210,951, Robert De'Armond.

U.S. Appl. No. 29/210,956, Robert De'Armond.

* cited by examiner

Primary Examiner—Clare E Heflin

(74) *Attorney, Agent, or Firm*—Baker & McKenzie LLP

(57) **CLAIM**

The ornamental design for the lamp support arm, as shown and described.

DESCRIPTION

FIG. 1 is a perspective view from above of a lamp support arm in accordance with my design;

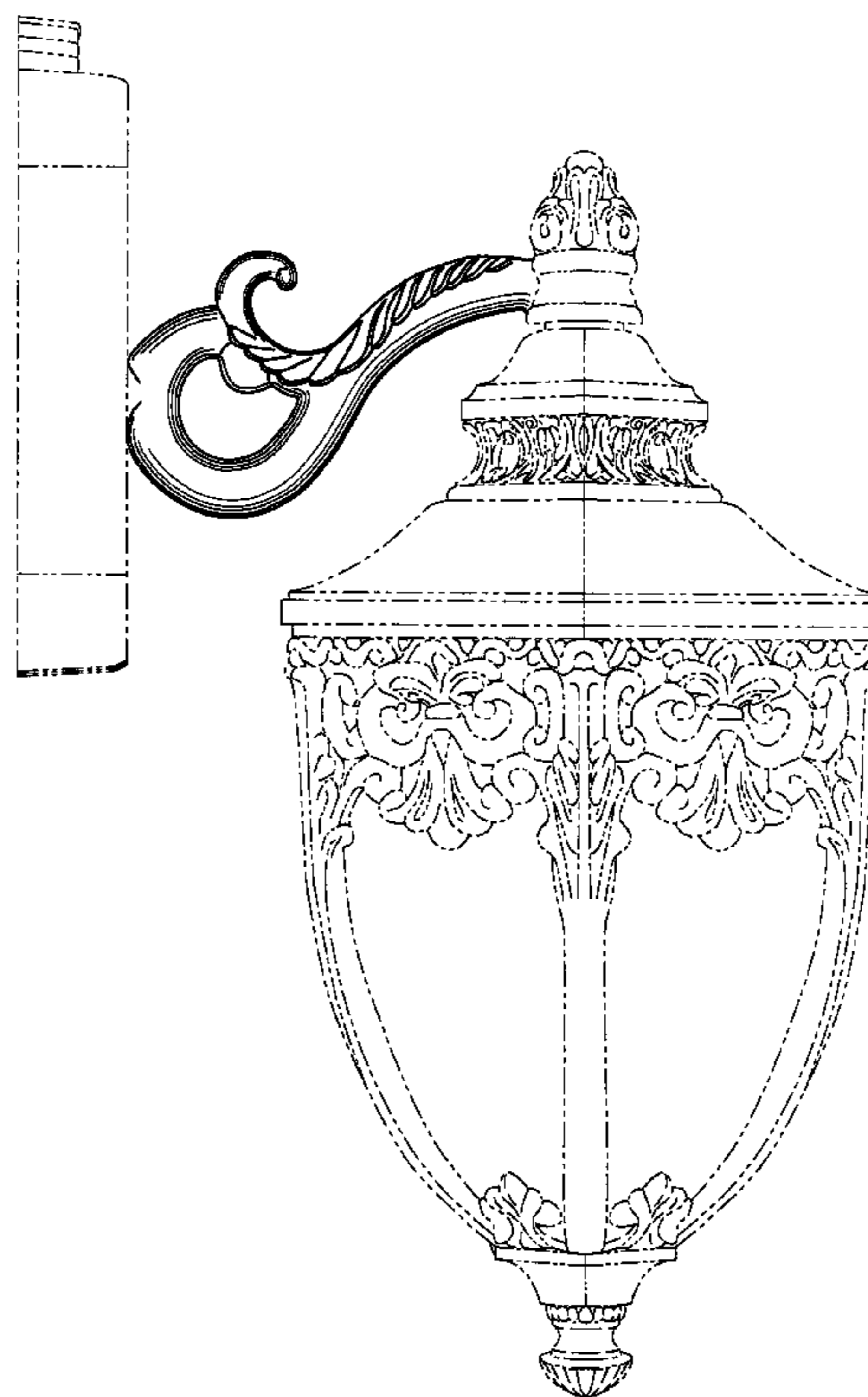
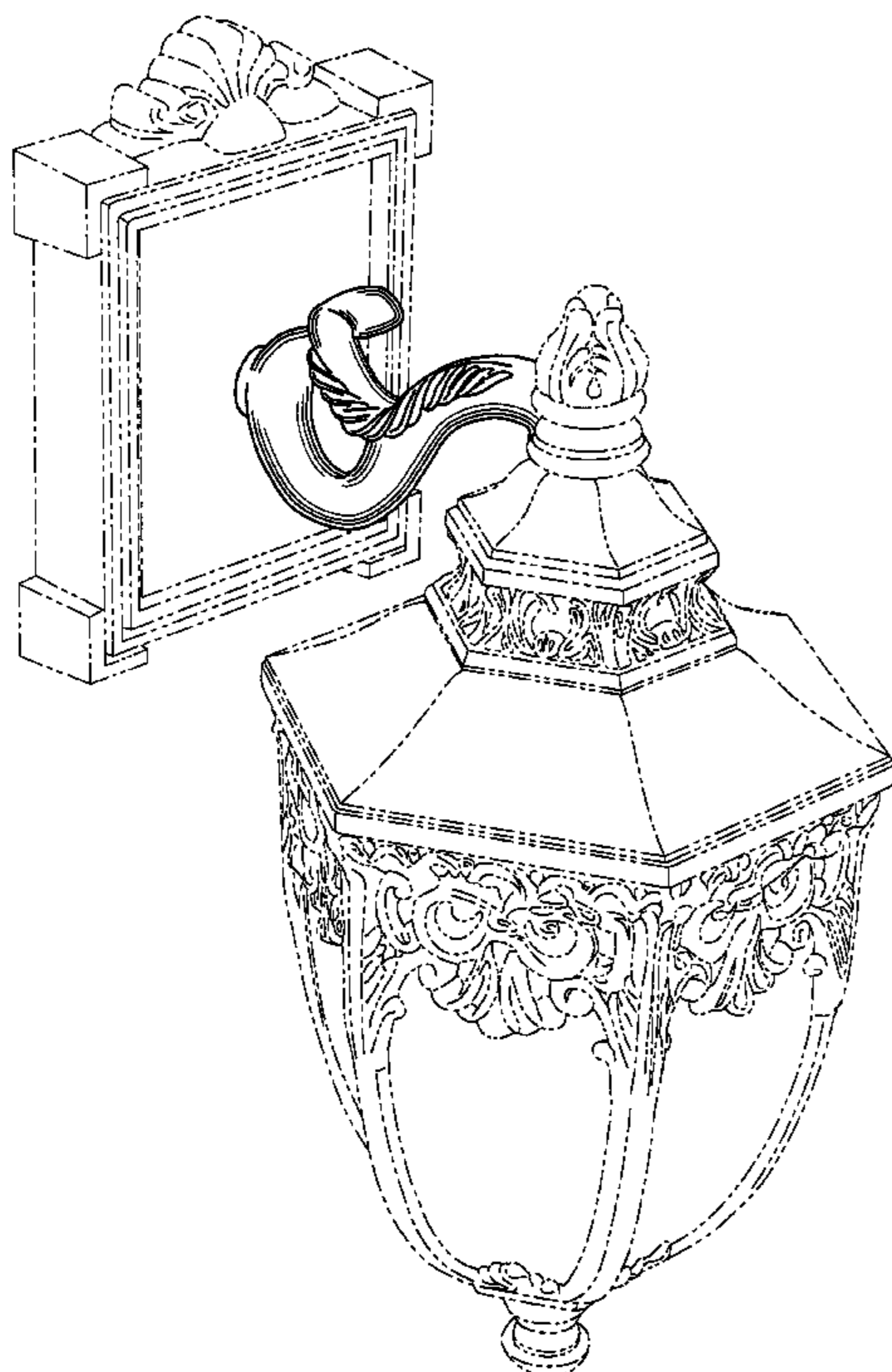
FIG. 2 is a side elevation view of the lamp support arm in accordance with my design;

FIG. 3 is a top plan view of the lamp support arm in accordance with my design; and,

FIG. 4 is a bottom plan view of the lamp support arm in accordance with my design.

The broken lines showing environmental structure are for illustrative purposes and form no part of the claimed design.

1 Claim, 3 Drawing Sheets



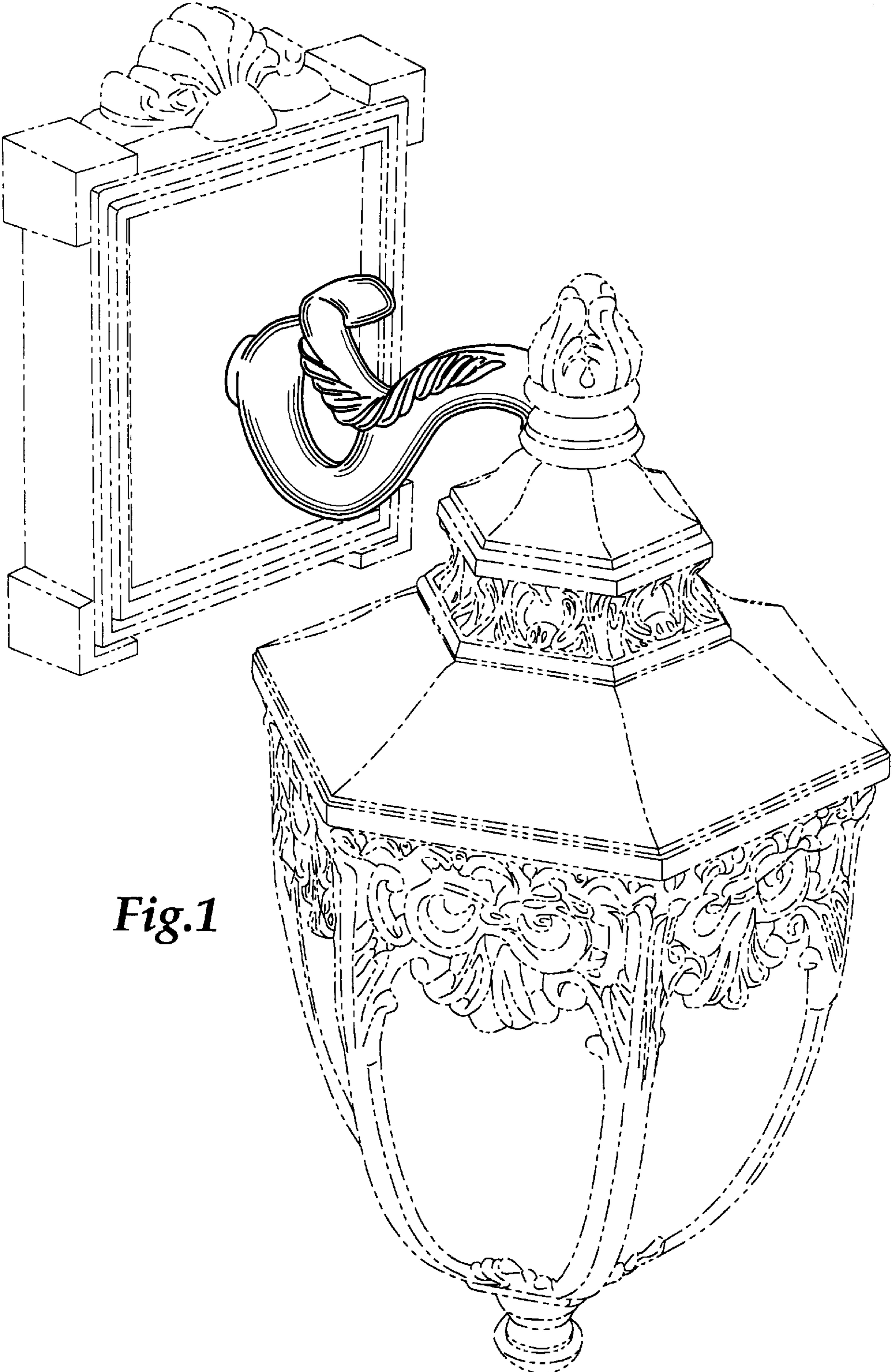


Fig.1

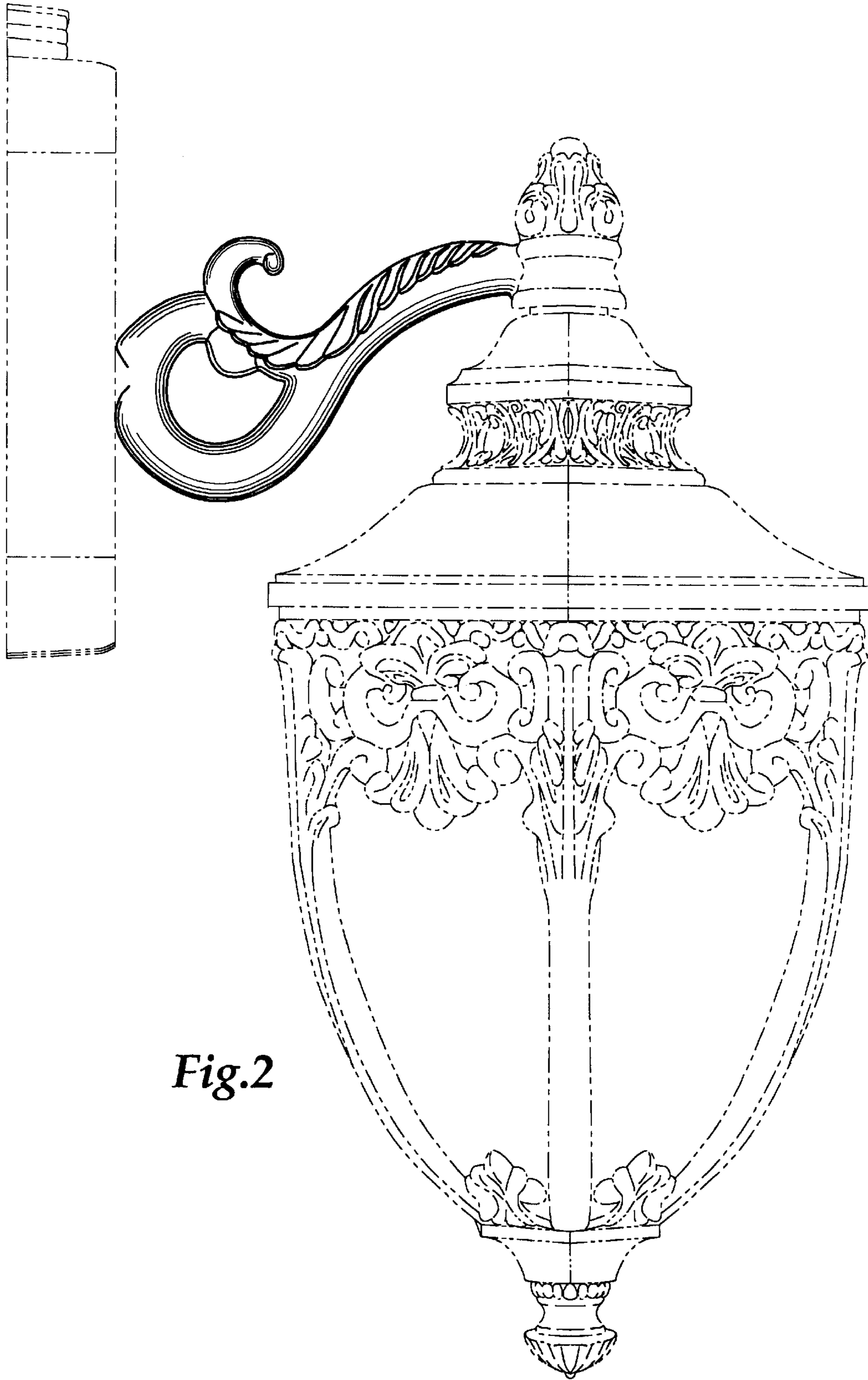


Fig.2

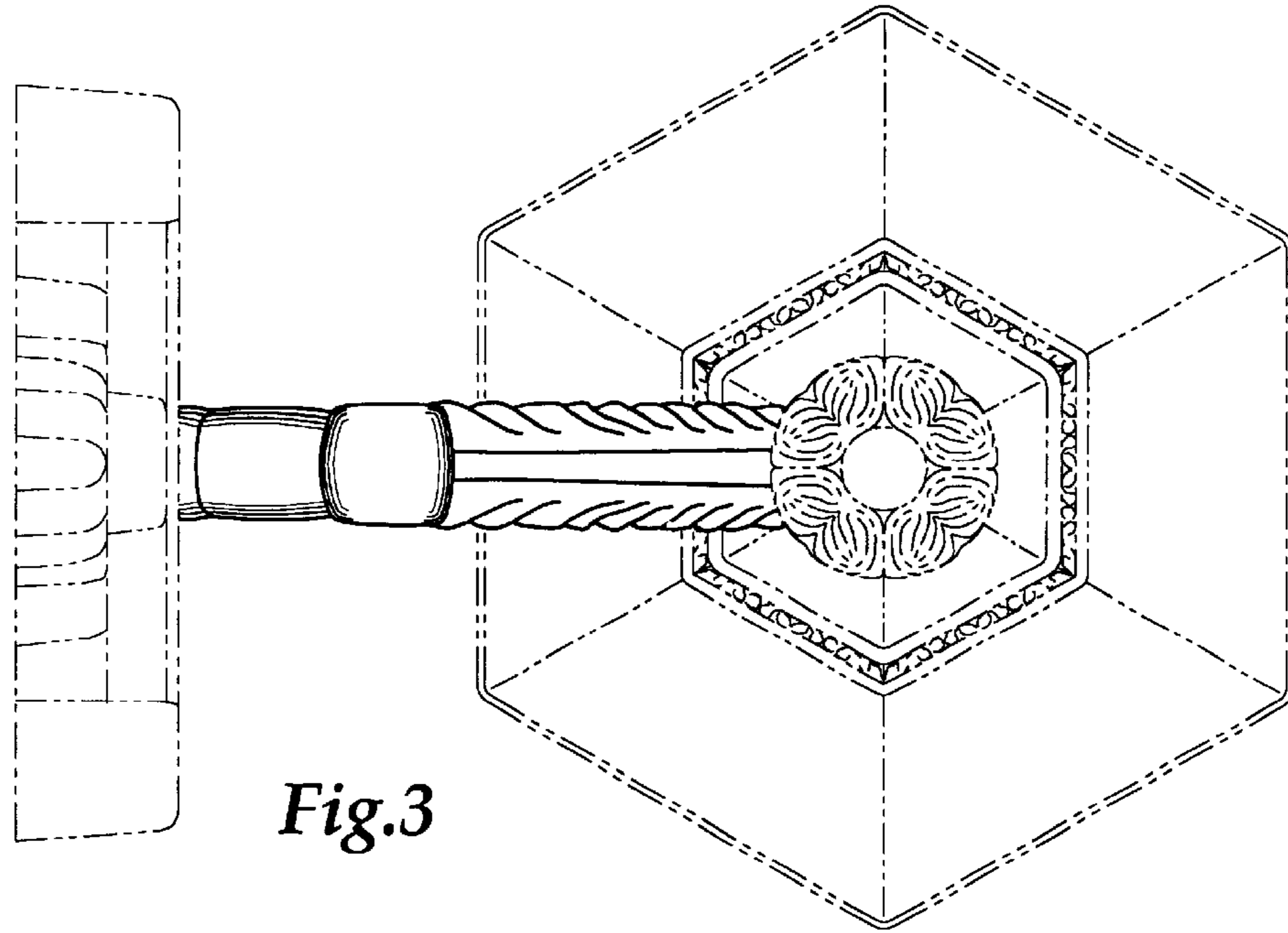


Fig.3

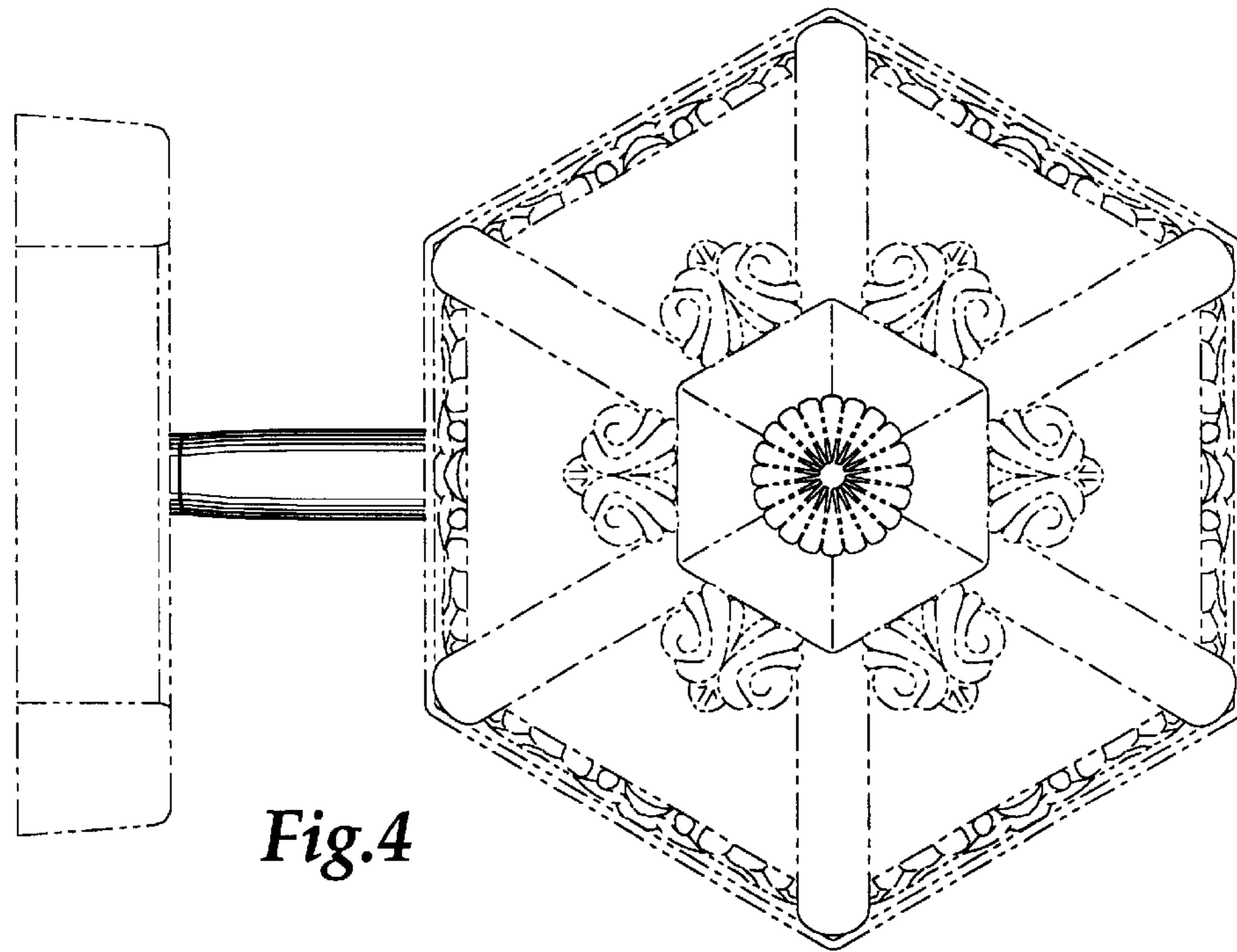


Fig.4