



US00D510454S

(12) **United States Design Patent**
De'Armond

(10) **Patent No.:** **US D510,454 S**
(45) **Date of Patent:** **** Oct. 4, 2005**

(54) **PORTION OF LAMP HOUSING**

(75) Inventor: **Robert De'Armond**, Temecula, CA
(US)

(73) Assignee: **Minka Lighting, Inc.**, Corona, CA
(US)

(**) Term: **14 Years**

(21) Appl. No.: **29/210,943**

(22) Filed: **Aug. 9, 2004**

(51) **LOC (8) Cl.** **26-99**

(52) **U.S. Cl.** **D26/152; D26/138**

(58) **Field of Search** D26/24, 67, 71,
D26/72, 85-92, 142, 145, 149, 152, 154,
155, 118, 128-137; 362/147, 404-408,
432, 455, 457

(56) **References Cited**

U.S. PATENT DOCUMENTS

D43,972 S	*	5/1913	Strom	D26/90
D49,634 S	*	9/1916	Wellman	D26/148
D57,256 S	*	3/1921	Ohm	D26/152
D66,064 S	*	11/1924	Berkowitz	D26/88
D67,373 S	*	5/1925	Severus	D26/142
D109,219 S	*	4/1938	Kelly	D26/149

OTHER PUBLICATIONS

The Great Outdoors 2004 Catalog by Minka-Lavery; Minka
Lighting, Inc.; pp. 30-31.
U.S. Appl. No. 29/210,941, Robert De'Armond.

U.S. Appl. No. 29/210,942, Robert De'Armond.

U.S. Appl. No. 29/210,951, Robert De'Armond.

U.S. Appl. No. 29/210,956, Robert De'Armond.

U.S. Appl. No. 29/210,969, Robert De'Armond.

* cited by examiner

Primary Examiner—Clare E Heflin

(74) *Attorney, Agent, or Firm*—Baker & McKenzie LLP

(57) **CLAIM**

The ornamental design for the portion of lamp housing, as
shown and described.

DESCRIPTION

FIG. 1 is a perspective view from above of a portion of lamp
housing in accordance with my design;

FIG. 2 is a front elevation view of the portion of lamp
housing in accordance with my design;

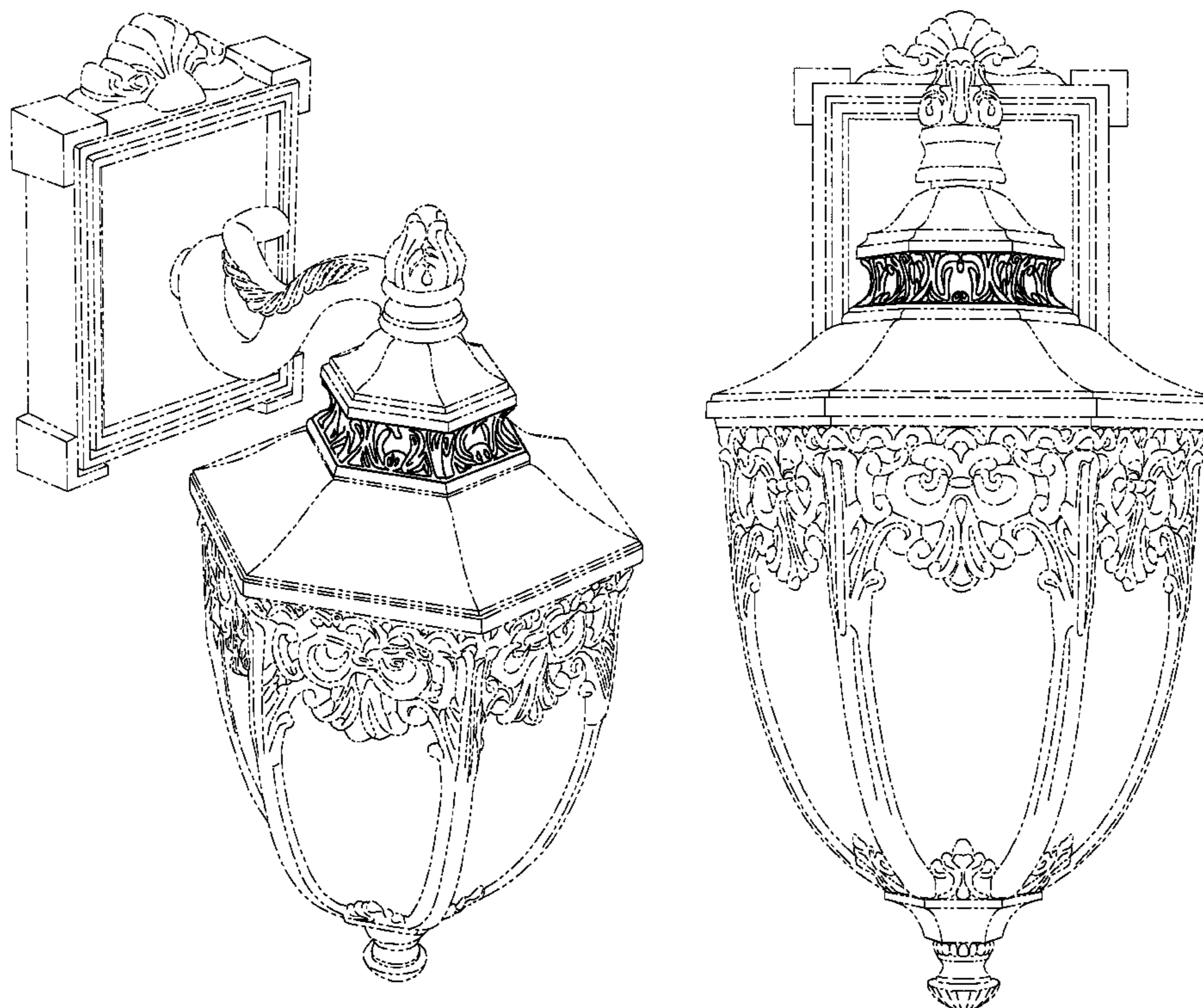
FIG. 3 is a side elevation view of the portion of lamp
housing in accordance with my design;

FIG. 4 is a top plan view of the portion of lamp housing in
accordance with my design; and,

FIG. 5 is a bottom plan view of the portion of lamp housing
in accordance with my design.

The broken lines showing environmental structure are for
illustrative purposes and form no part of the claimed design.

1 Claim, 4 Drawing Sheets



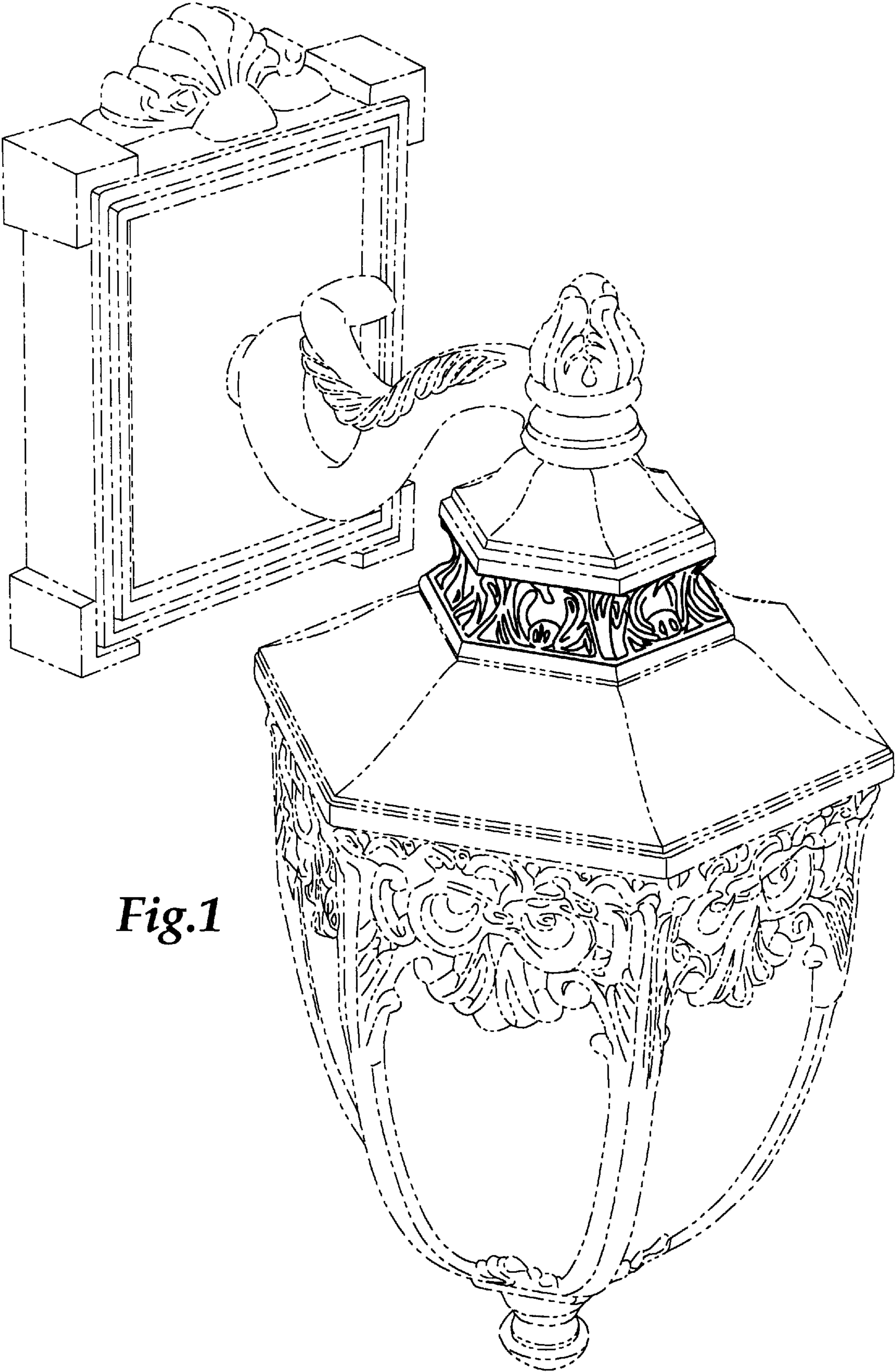


Fig.1

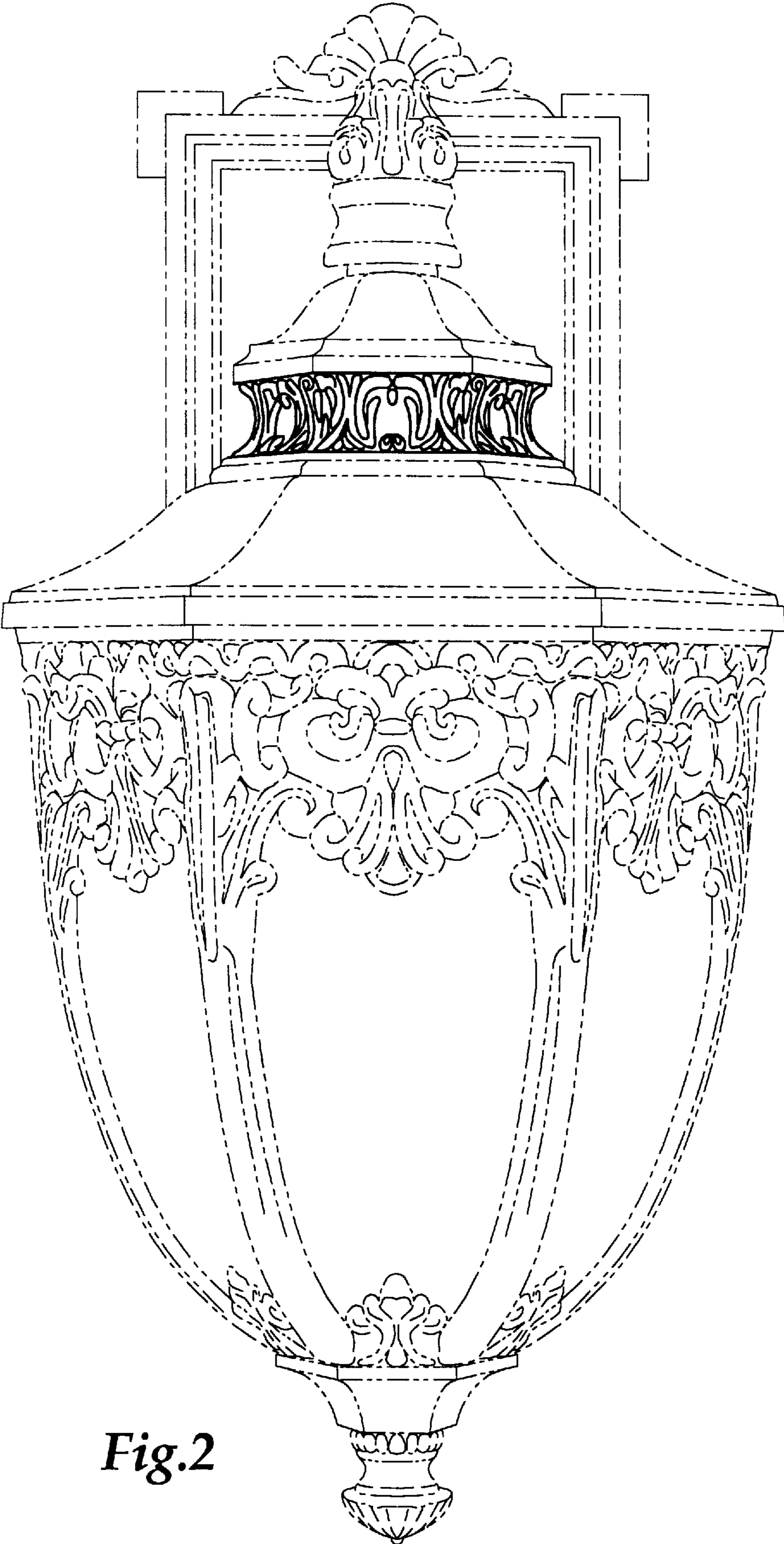


Fig.2

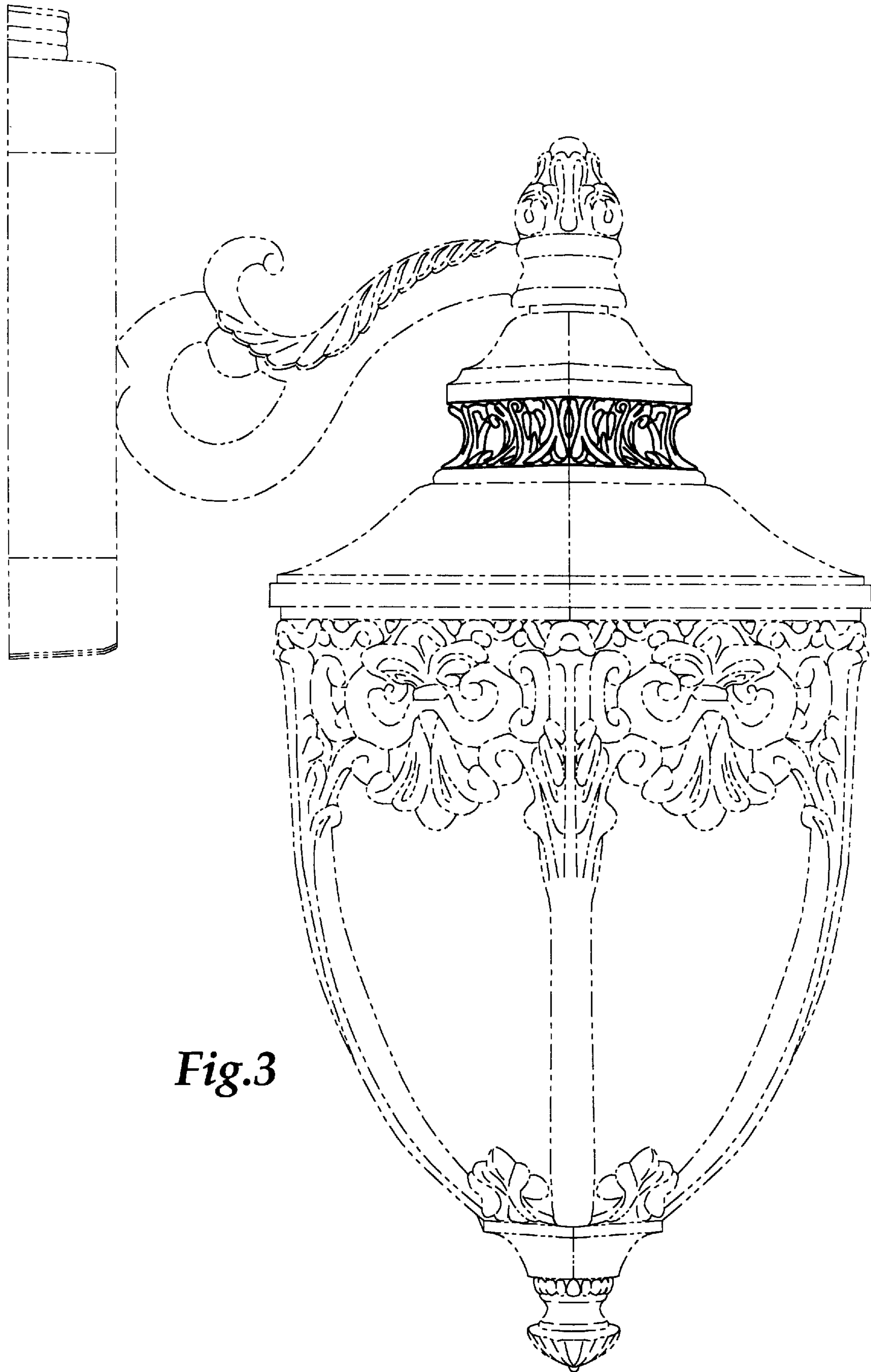


Fig.3

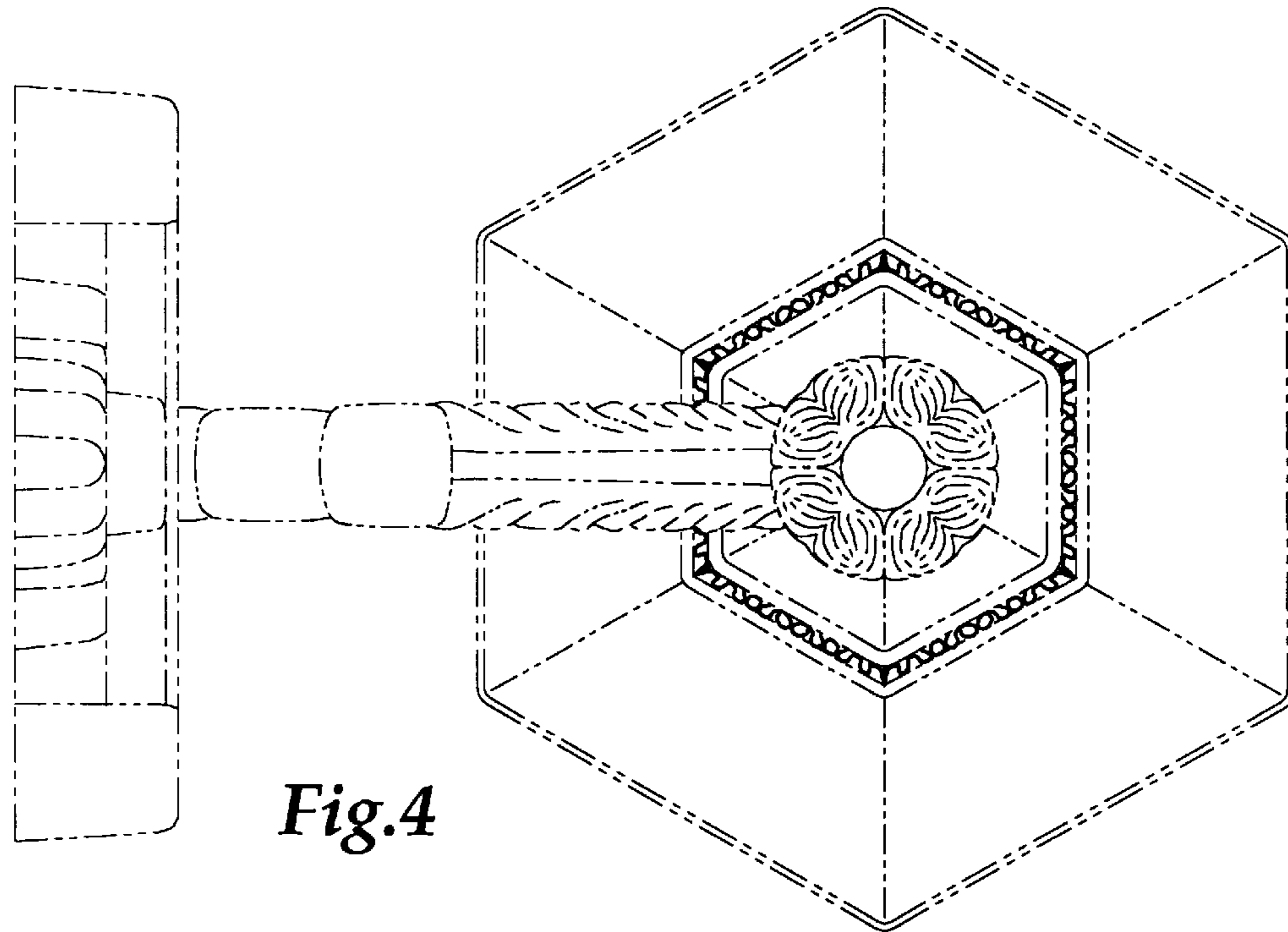


Fig. 4

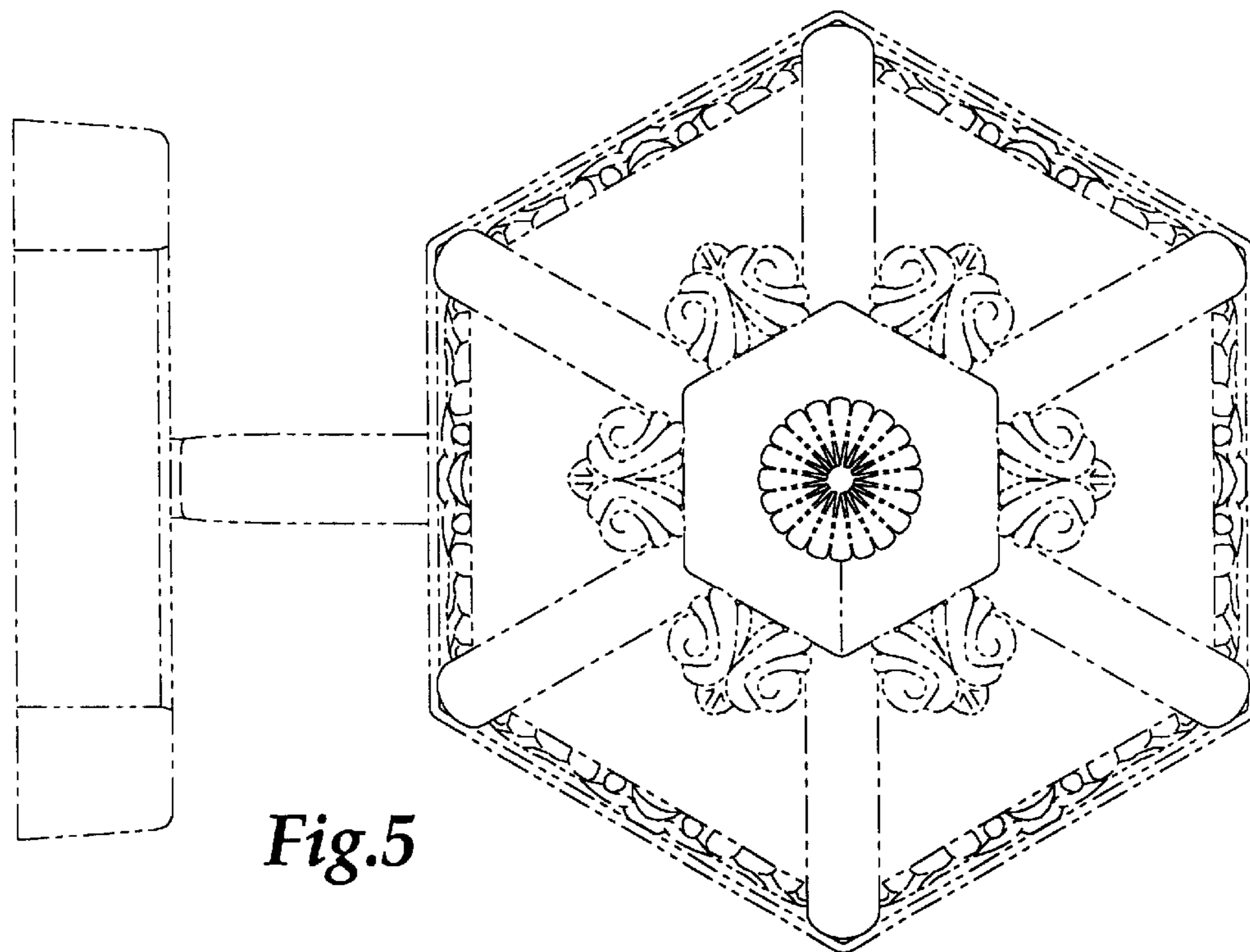


Fig. 5