



US00D510453S

(12) **United States Design Patent**
De'Armond

(10) **Patent No.:** **US D510,453 S**
(45) **Date of Patent:** **** Oct. 4, 2005**

(54) **LAMP HOUSING**

(75) **Inventor:** **Robert De'Armond**, Temecula, CA
(US)

(73) **Assignee:** **Minka Lighting, Inc.**, Corona, CA
(US)

(**) **Term:** **14 Years**

(21) **Appl. No.:** **29/217,283**

(22) **Filed:** **Nov. 15, 2004**

(51) **LOC (8) Cl.** **26-99**

(52) **U.S. Cl.** **D26/128; D26/118; D26/72**

(58) **Field of Search** D26/24, 67, 71,
D26/72, 85-92, 142, 145, 149, 152, 154,
155, 118, 128-137; 362/147, 404-408,
432, 455, 457

(56) **References Cited**

U.S. PATENT DOCUMENTS

D66,189 S	*	12/1924	Jaeger	D26/87
D67,423 S	*	5/1925	Walker	D26/87
D152,336 S	*	1/1949	Hirshfield	D26/87
D316,912 S	*	5/1991	Choi	D26/87
D442,319 S	*	5/2001	Hsu	D26/87
D463,606 S	*	9/2002	Orozco	D26/87
D465,873 S	*	11/2002	De'Armond	D26/92

OTHER PUBLICATIONS

Quoizel Catalog ©2204 (1 page); item DE 8976BR—
“Devon” on p. 267.*

U.S. Appl. No. 29/217,210, Robert De'Armond.

U.S. Appl. No. 29/217,282, Robert De'Armond.

The Great Outdoors 2004 catalog by Minka-Lavery; Minka
Lighting, Inc., U.S.A. ; Jan. 2004; Segovia Model; 1 Page.

* cited by examiner

Primary Examiner—Clare E Heflin

(74) *Attorney, Agent, or Firm*—Baker & McKenzie LLP

(57) **CLAIM**

The ornamental design for a lamp housing, as shown and
described.

DESCRIPTION

FIG. 1 is a perspective view from above of a lamp housing
in accordance with my design;

FIG. 2 is a perspective view from below of a lamp housing
in accordance with my design;

FIG. 3 is a side elevation view of the lamp housing in
accordance with my design;

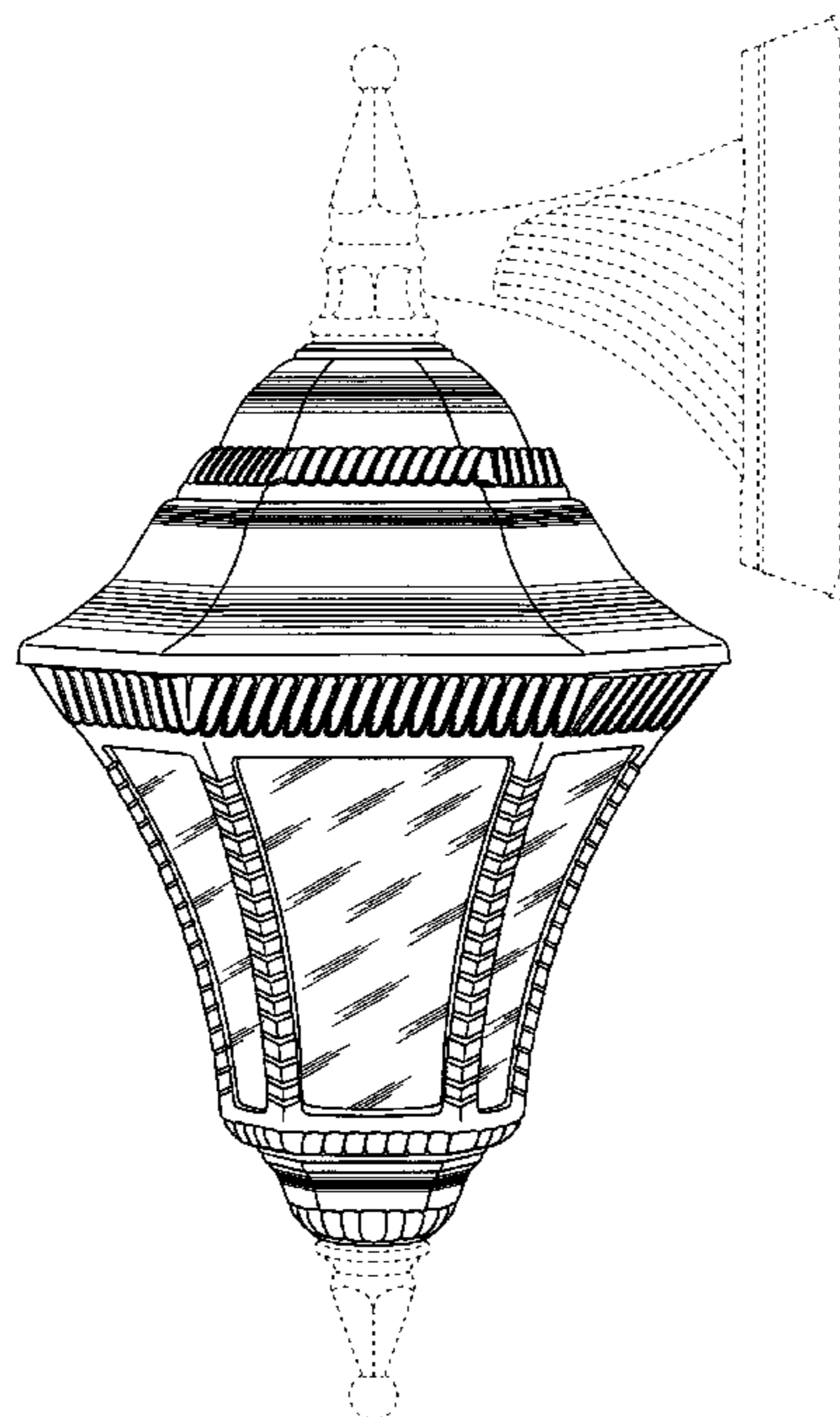
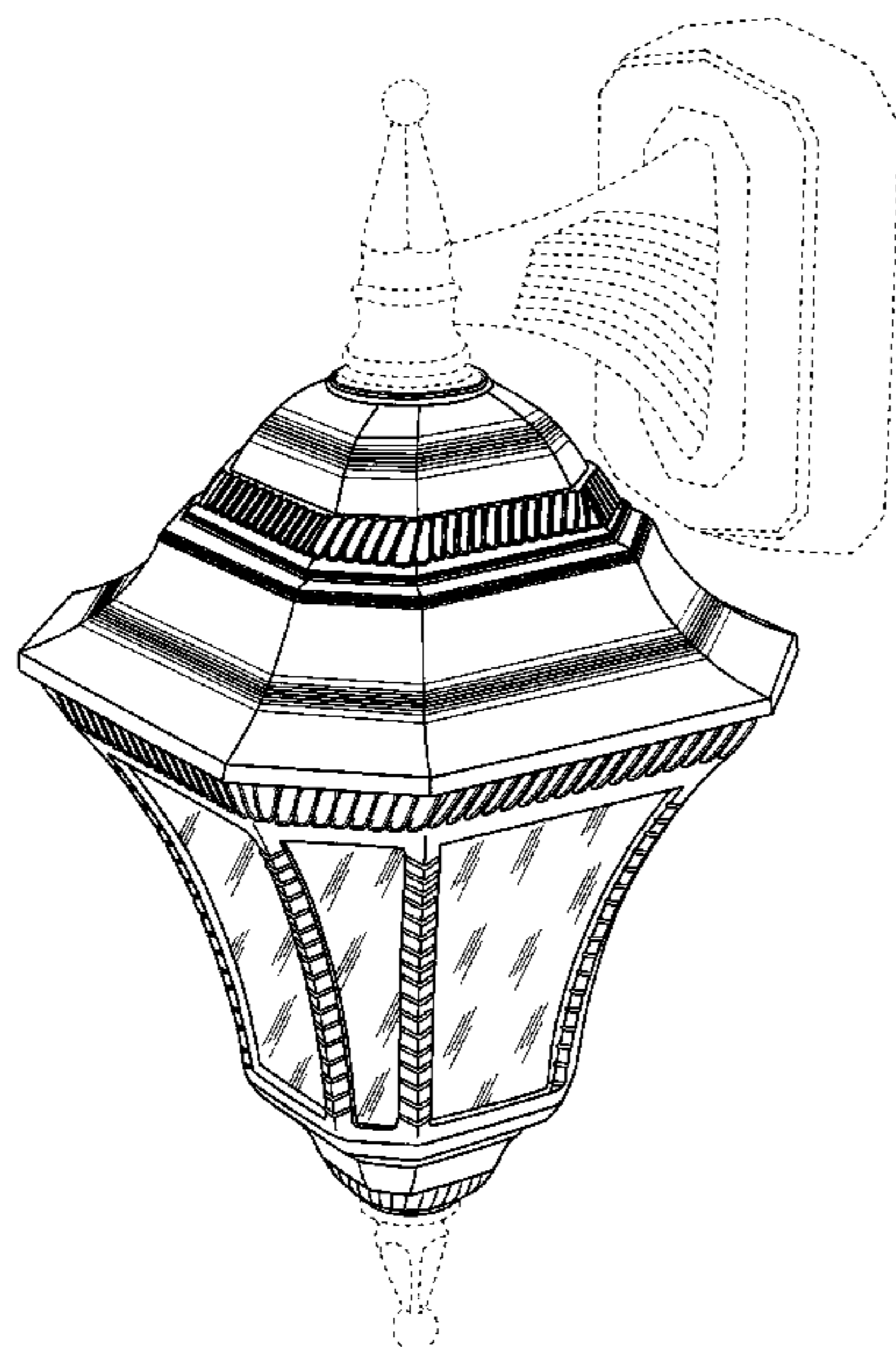
FIG. 4 is a front elevation view of the lamp housing in
accordance with my design;

FIG. 5 is a top plan view of the lamp housing in accordance
with my design; and,

FIG. 6 is a bottom plan view of the lamp housing in
accordance with my design.

The broken lines showing environmental structure are for
illustrative purposes and form no part of the claimed design.

1 Claim, 6 Drawing Sheets



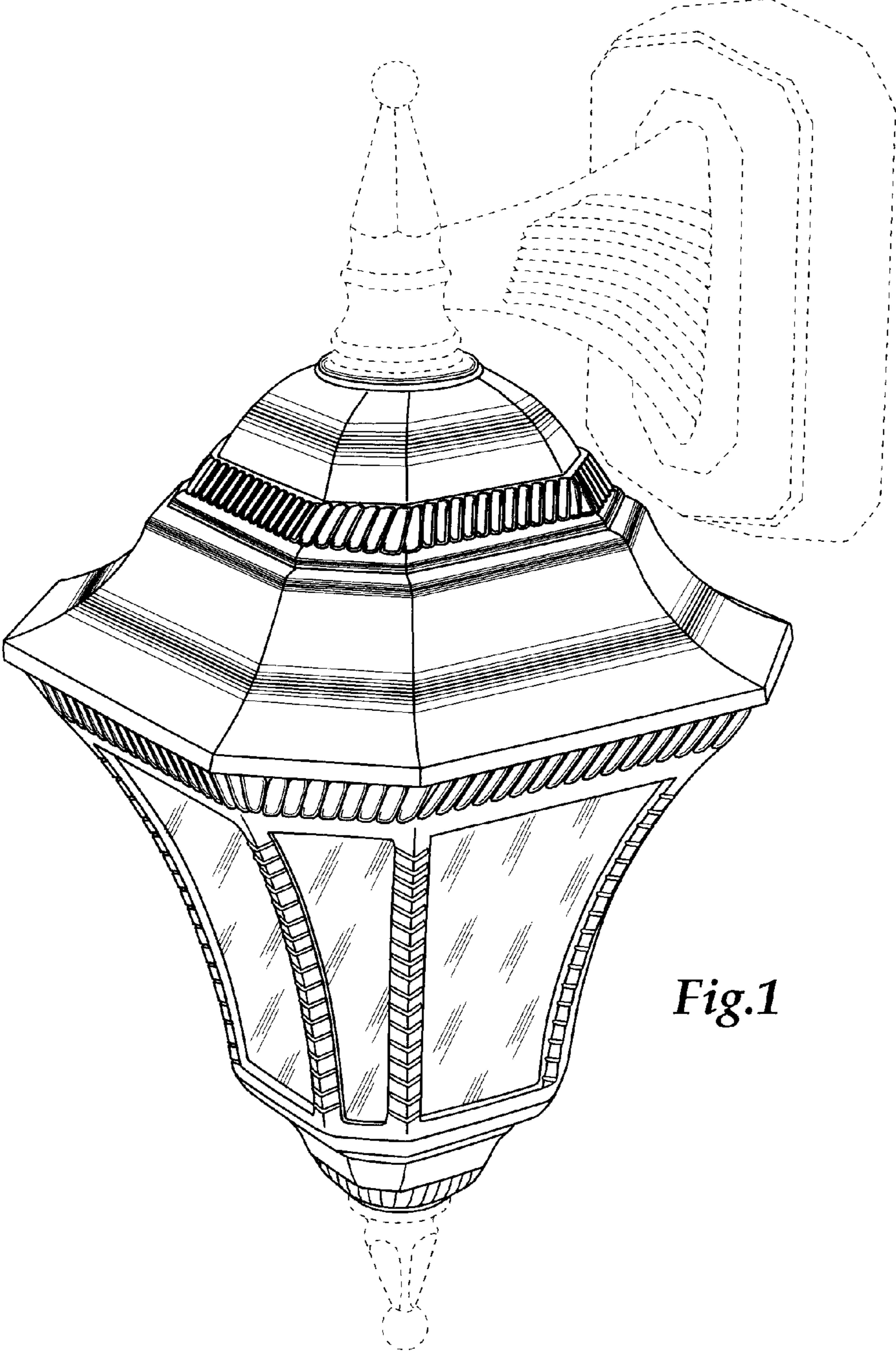


Fig.1

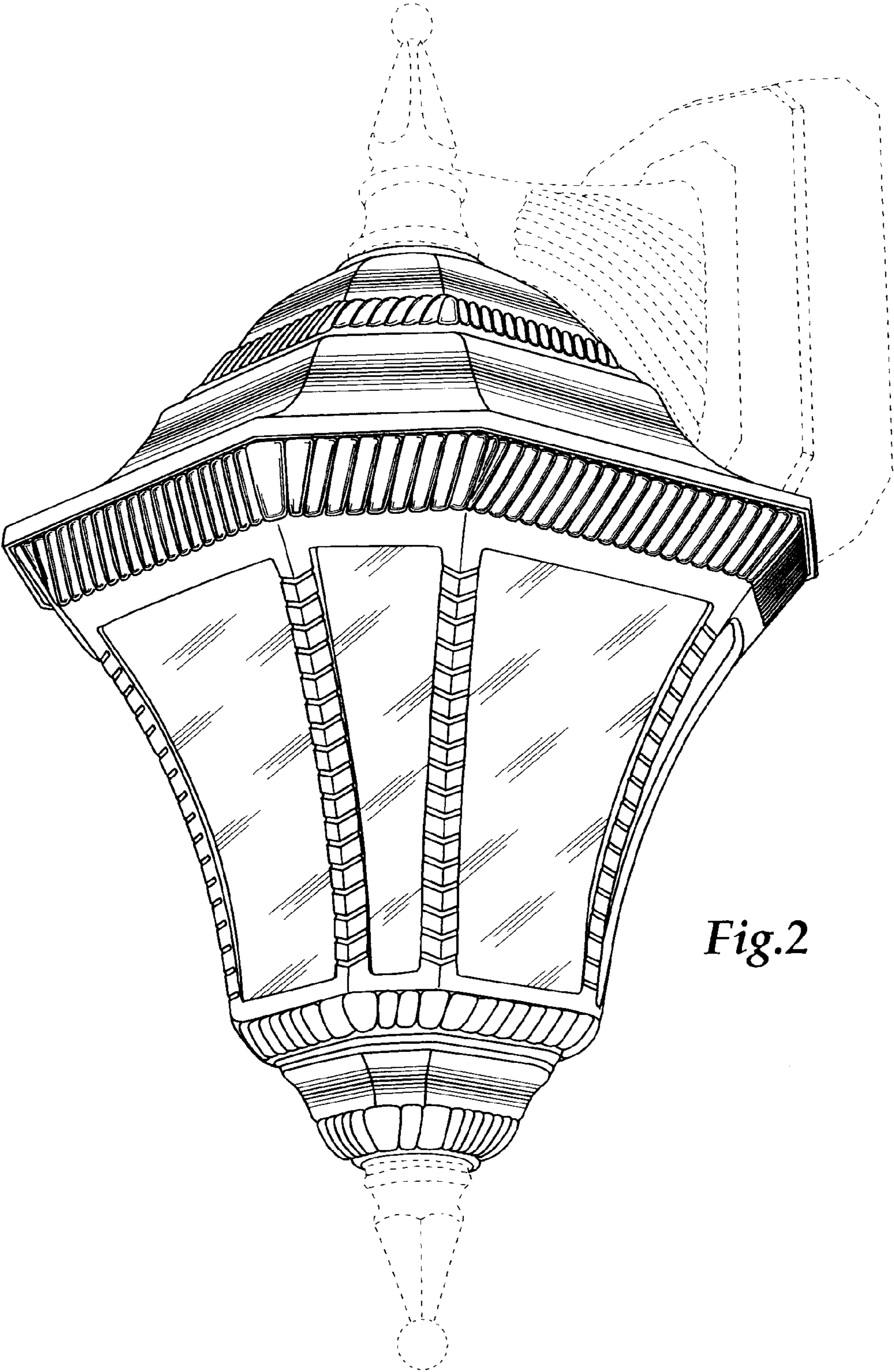


Fig.2

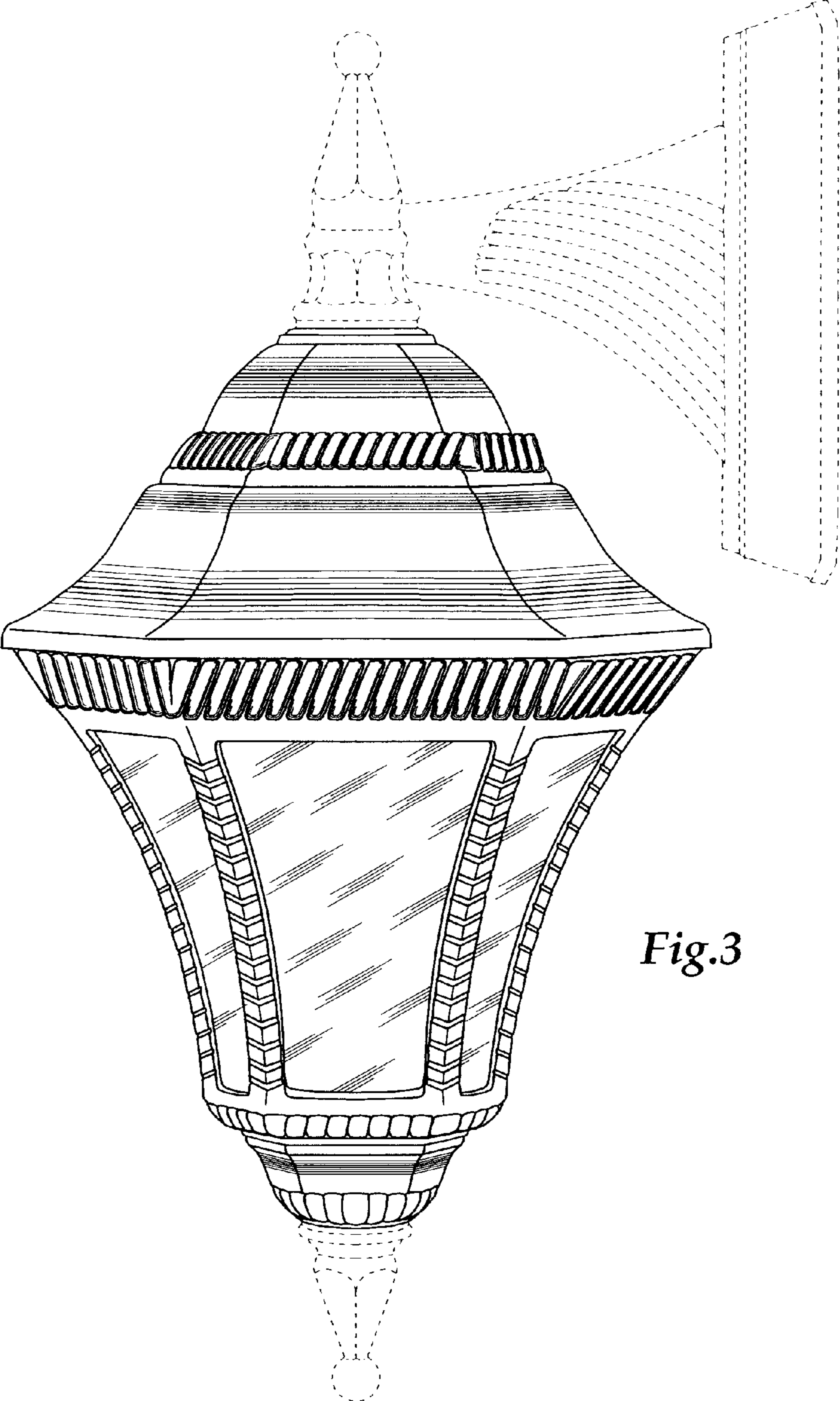


Fig.3

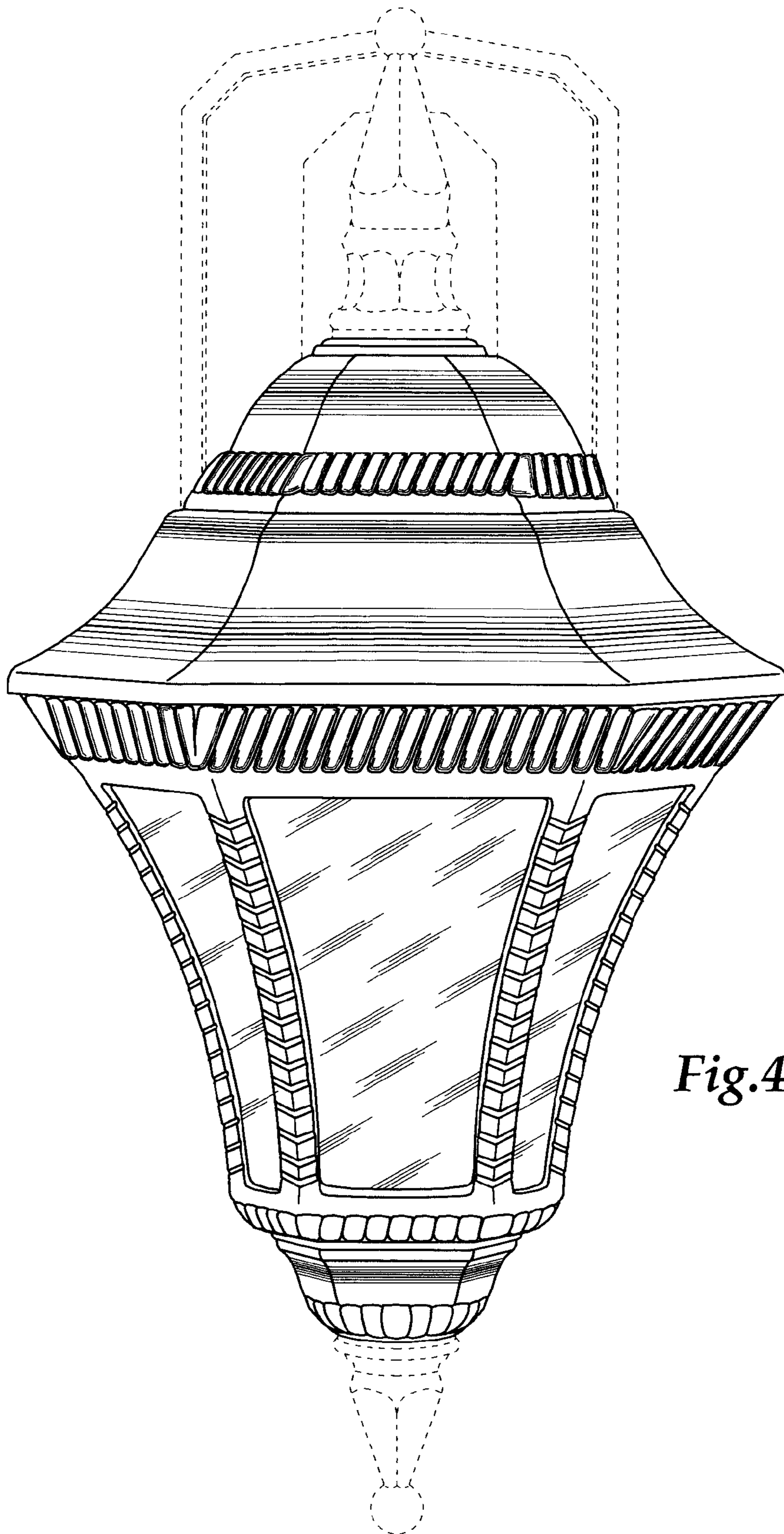


Fig. 4

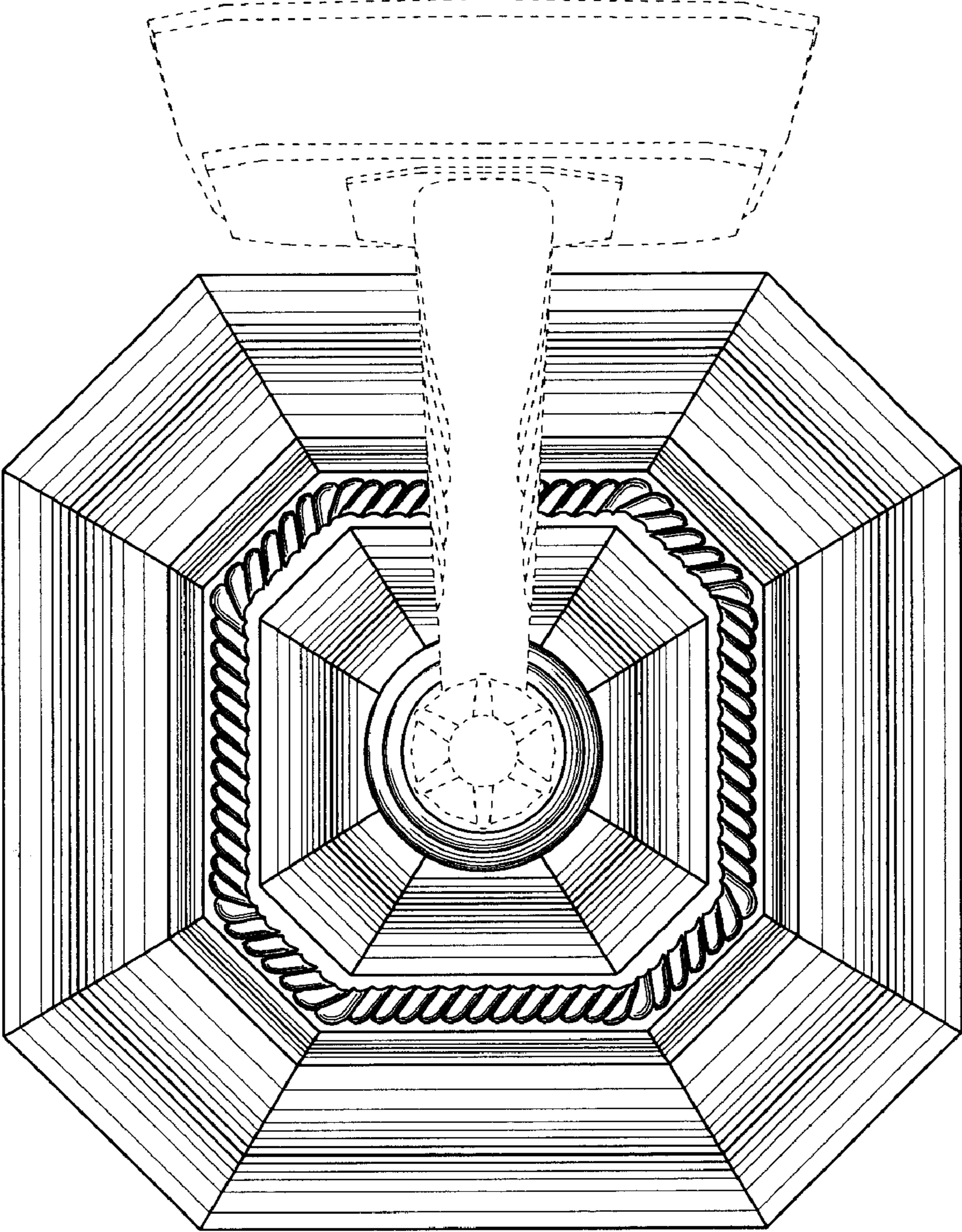


Fig.5

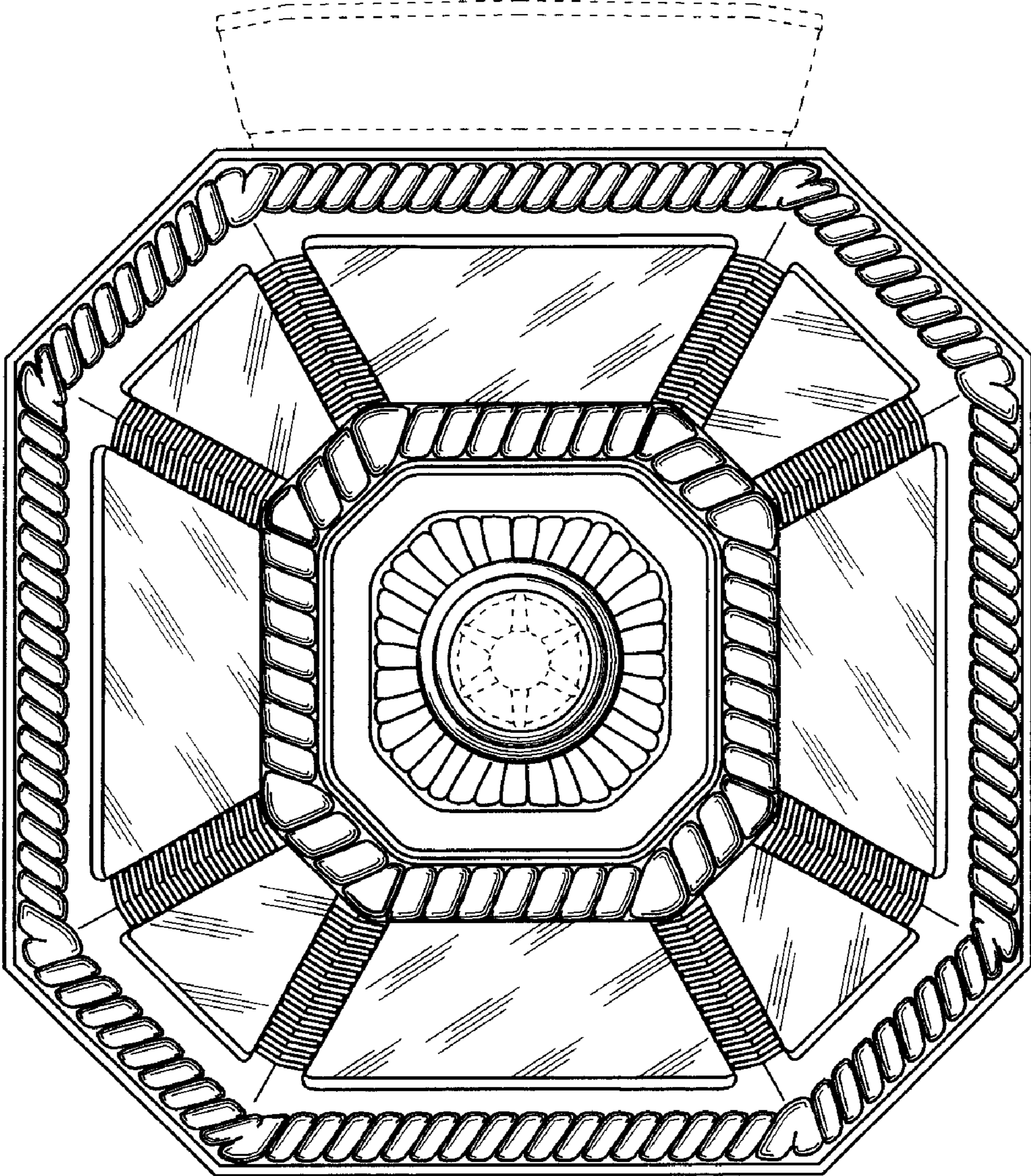


Fig.6