



US00D510452S

(12) **United States Design Patent**  
**Porter**

(10) **Patent No.:** **US D510,452 S**

(45) **Date of Patent:** **\*\* Oct. 4, 2005**

(54) **LIGHTING FIXTURE**

(75) **Inventor:** **David H. Porter**, Chagrin Falls, OH (US)

(73) **Assignee:** **Kichler Lighting**, Cleveland, OH (US)

(\*\*) **Term:** **14 Years**

(21) **Appl. No.:** **29/143,920**

(22) **Filed:** **Jun. 21, 2001**

(51) **LOC (8) Cl.** ..... **26-03**

(52) **U.S. Cl.** ..... **D26/80; D26/86; D26/87; D26/92**

(58) **Field of Search** ..... D26/72, 80-92; 362/147, 237, 404-406, 432, 806, 150, 430, 418

(56) **References Cited**  
**PUBLICATIONS**

Taiwan Lighting, Nov. 2001, p. 82, item #BT-ML01.\*  
Home Lighting and Accessories, Jun. 2001, p. 13, lighting fixture in center photograph.\*  
Taiwan Lighting, Jan. 2002, p. 124, item #ML-107 and item # ML-103.\*

<http://lampsplus.com>, 30" contemporary bathbar #57989 and 9"W Contemporary Pool Table Chandelier # 57986. dated Jan. 23, 2003.\*

\* cited by examiner

*Primary Examiner*—Clare E. Heflin

(74) *Attorney, Agent, or Firm*—Calfee, Halter & Griswold LLP

(57) **CLAIM**

I claim the ornamental design for a lighting fixture, as shown and described.

**DESCRIPTION**

FIG. 1 is a front elevation of the light fixture showing the new design;

FIG. 2 is a rear elevation thereof;

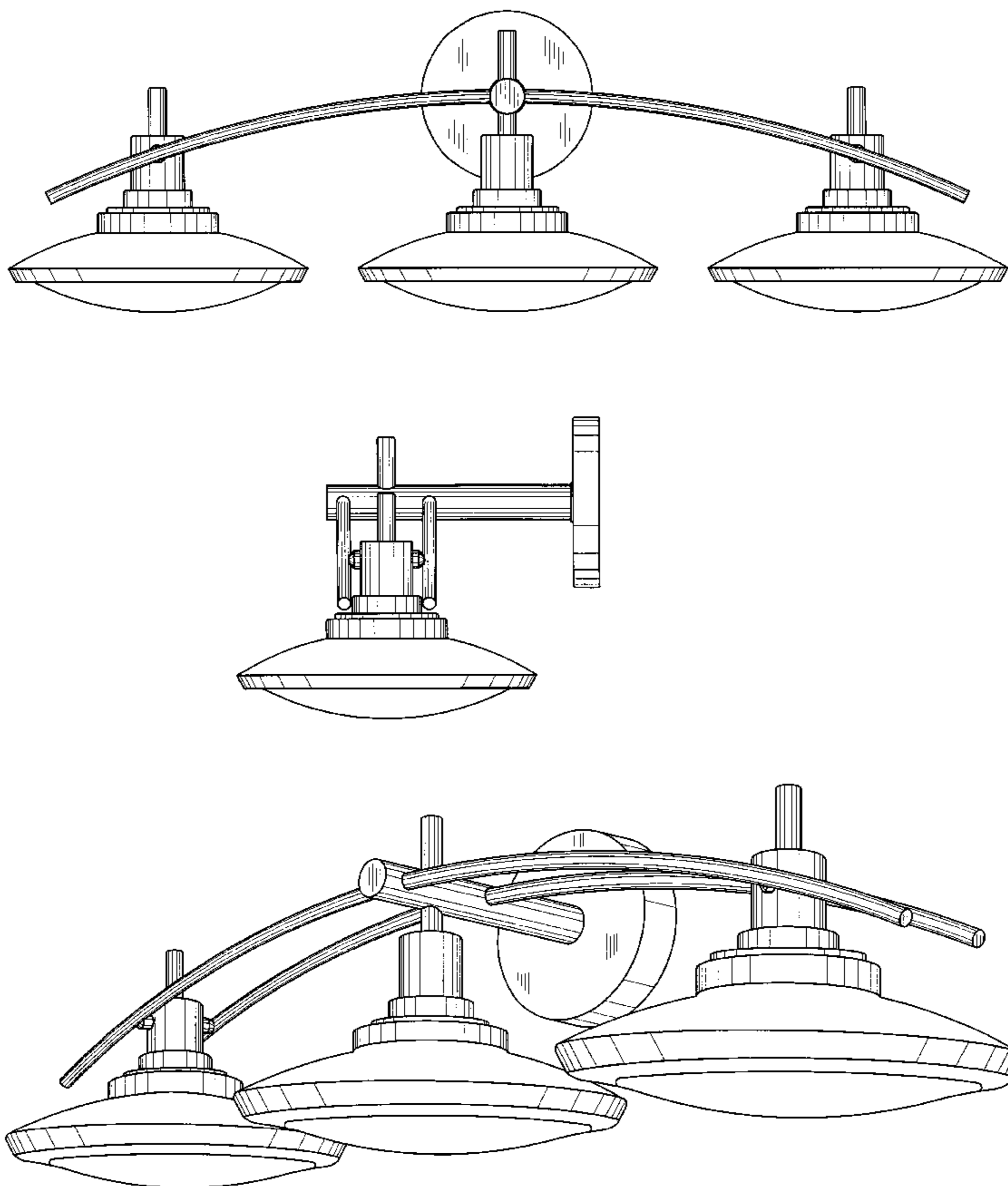
FIG. 3 is a side elevation of the light fixture with the opposite side being a mirror image thereof;

FIG. 4 is a top plan view thereof;

FIG. 5 is a bottom plan view thereof; and,

FIG. 6 is a perspective view thereof.

**1 Claim, 6 Drawing Sheets**



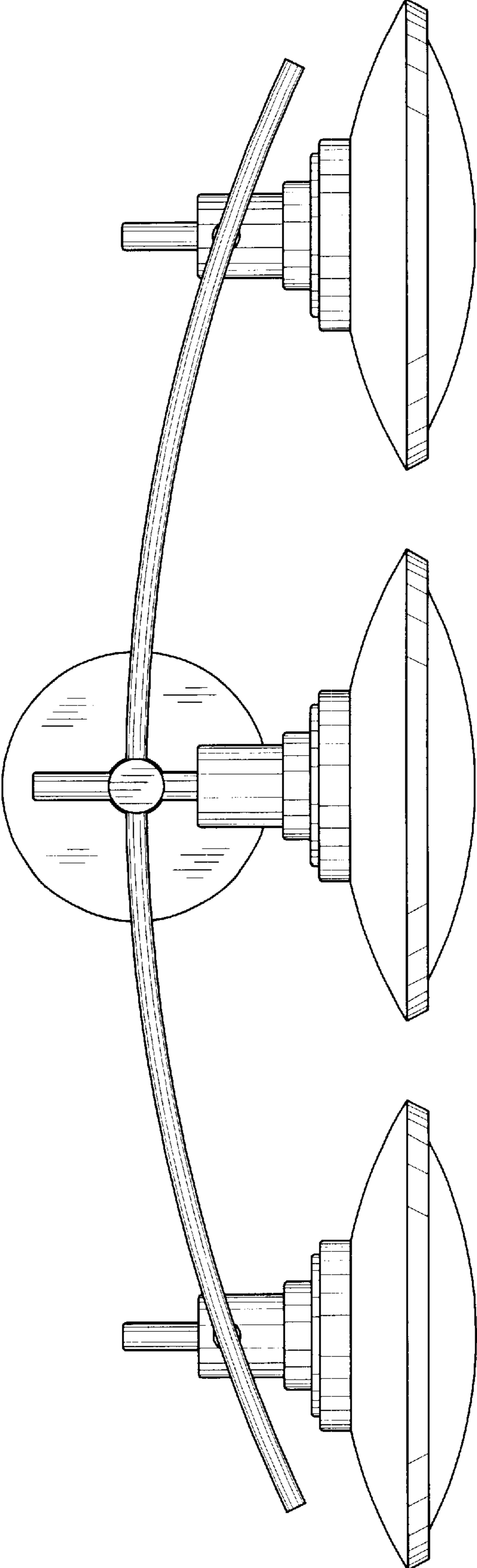


FIG.1

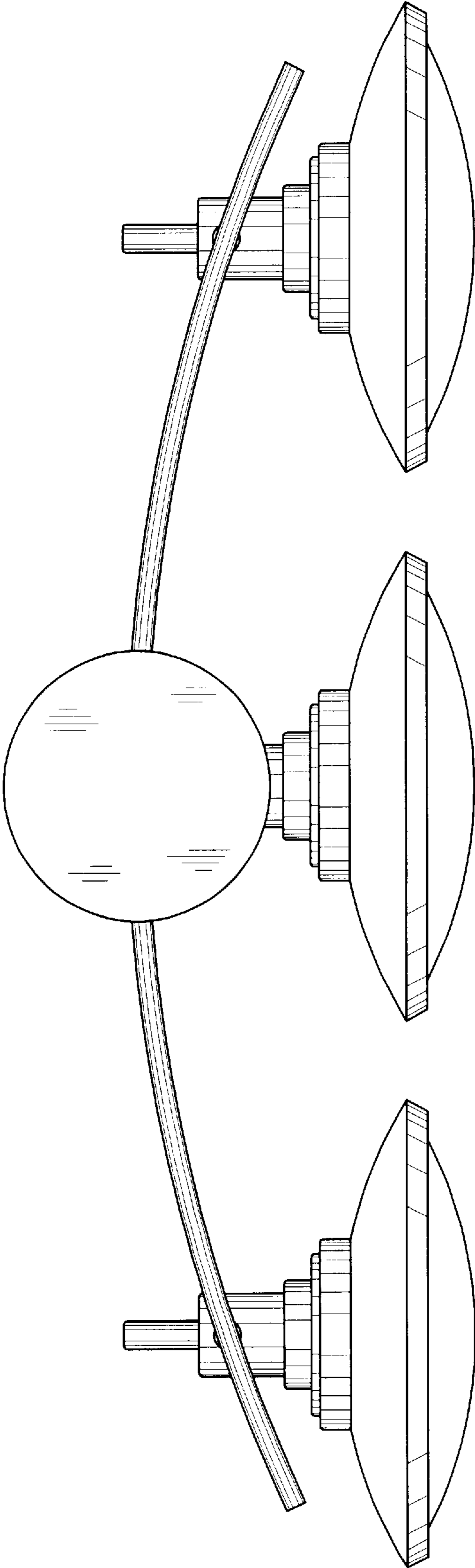


FIG. 2

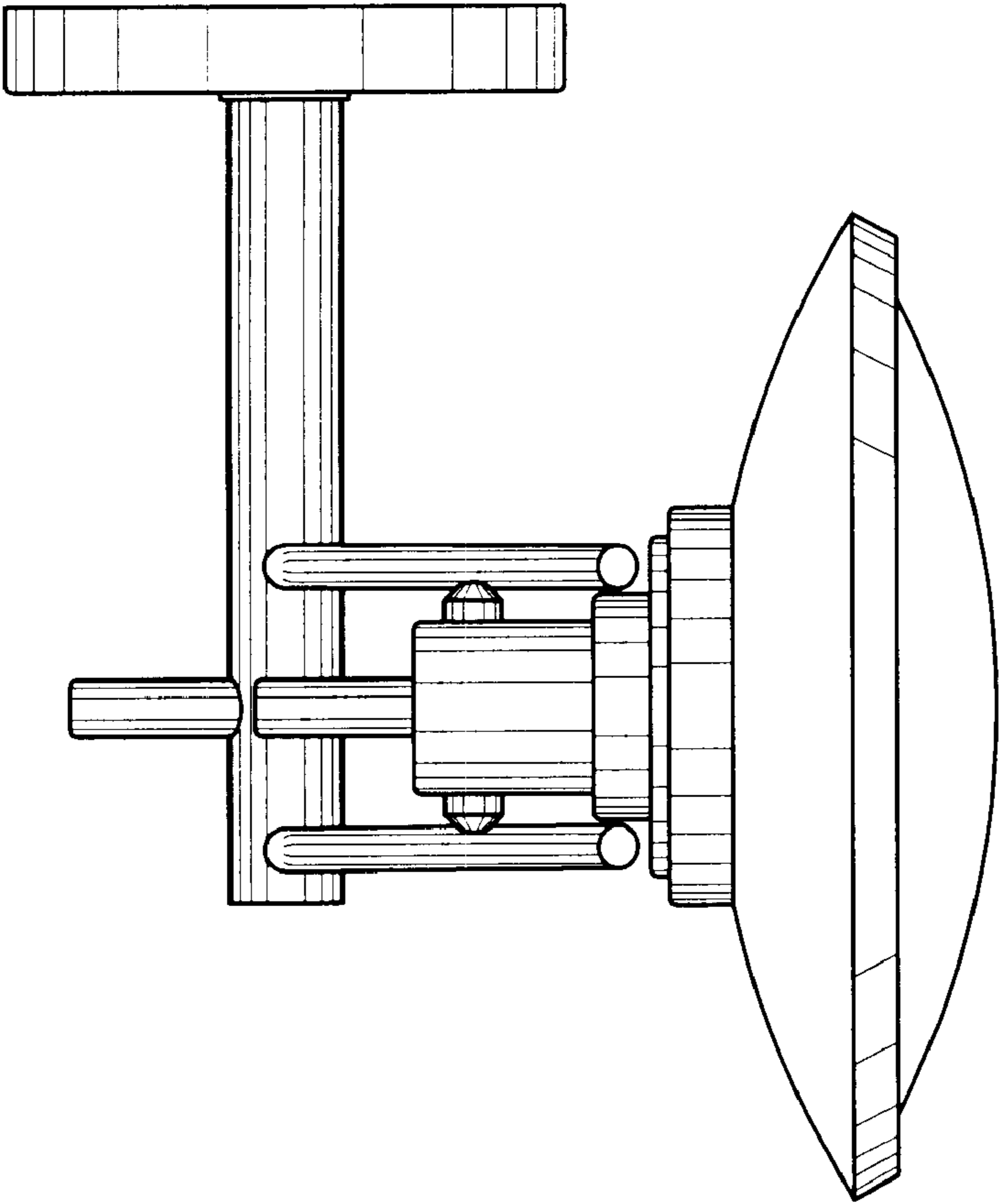


FIG. 3

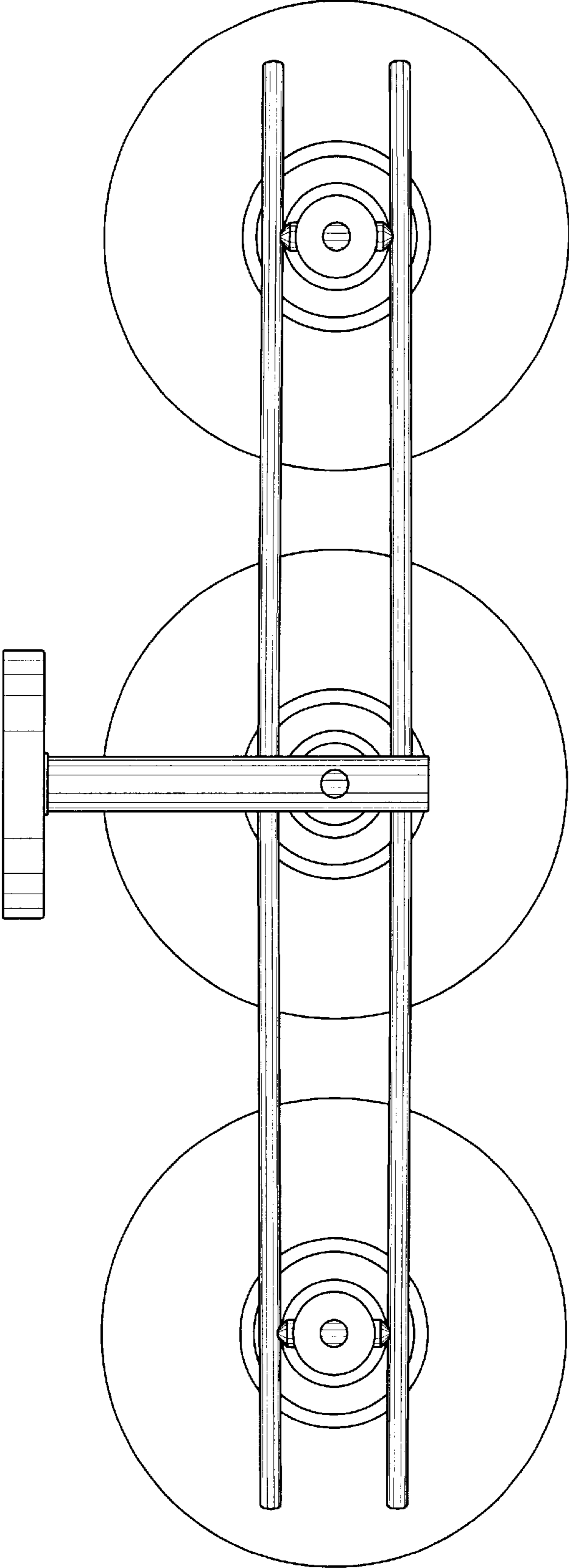


FIG. 4

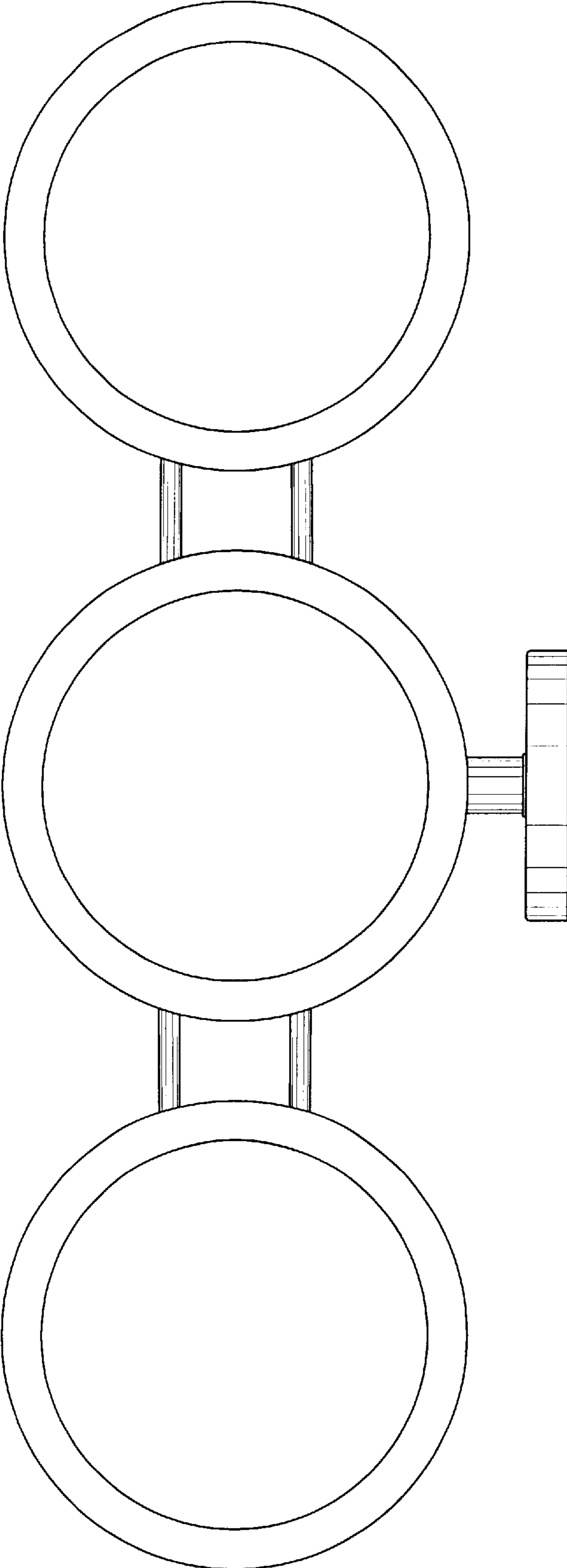


FIG. 5

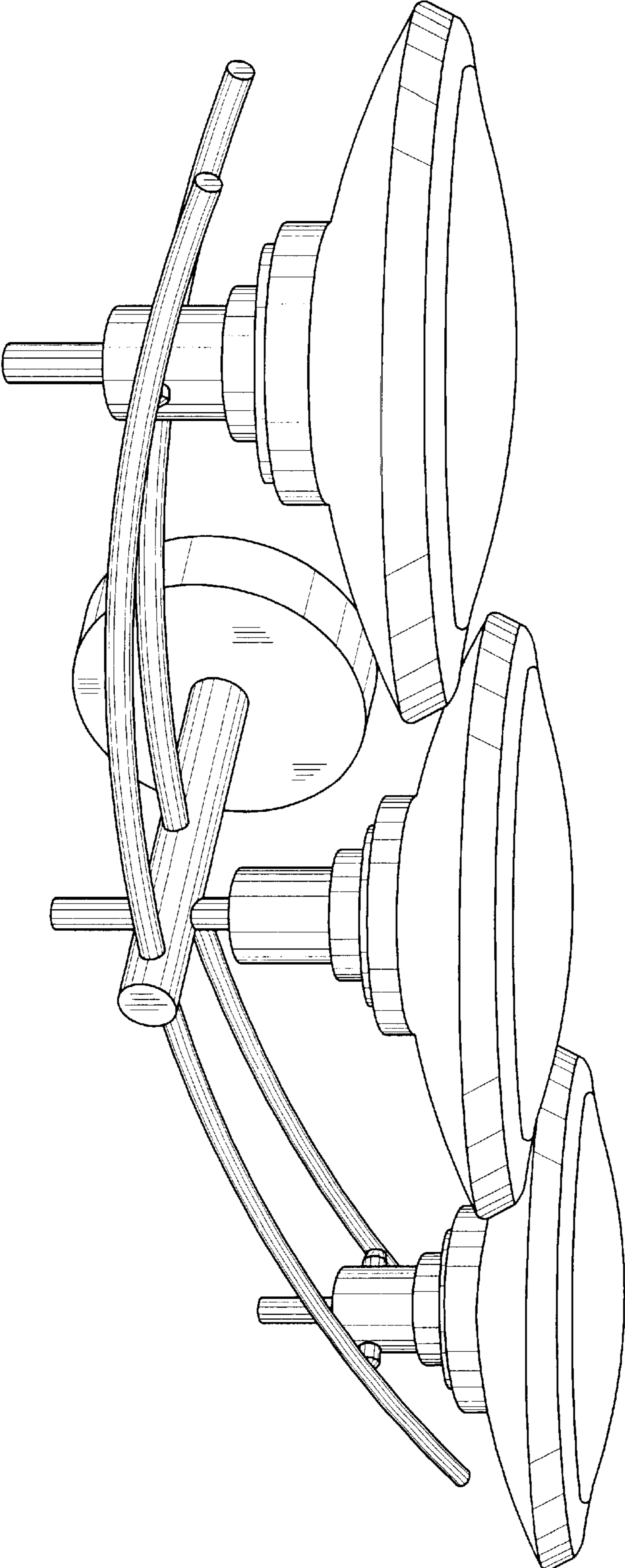


FIG. 6