



US00D510451S

(12) **United States Design Patent**
Marchand

(10) **Patent No.:** **US D510,451 S**
(45) **Date of Patent:** **** Oct. 4, 2005**

- (54) **LAMP WITH ADJUSTABLE ARM**
- (75) Inventor: **Christophe Marchand**, Zurich (CH)
- (73) Assignee: **Steelcase SA**, Stasbourg (FR)
- (**) Term: **14 Years**
- (21) Appl. No.: **29/195,986**
- (22) Filed: **Dec. 19, 2003**

D402,385 S 12/1998 Chen
 6,079,857 A 6/2000 Mendelsohn et al.
 6,168,292 B1 1/2001 Sherman
 6,270,238 B1 8/2001 Mendelsohn et al.
 D495,082 S * 8/2004 Marchand D26/65

* cited by examiner

Primary Examiner—Clare E Heflin
 (74) *Attorney, Agent, or Firm*—Price, Heneveld, Cooper, DeWitt & Litton

Related U.S. Application Data

- (63) Continuation-in-part of application No. 29/173,620, filed on Jan. 2, 2003, now Pat. No. Des. 495,082.
- (51) **LOC (8) Cl.** **26-05**
- (52) **U.S. Cl.** **D26/65; D26/63**
- (58) **Field of Search** D26/60–66; 362/98, 362/99, 191, 269, 270, 275, 281–287, 396, 418, 419, 427, 428

(57) **CLAIM**

The ornamental design for a lamp with adjustable arm, as shown and described.

DESCRIPTION

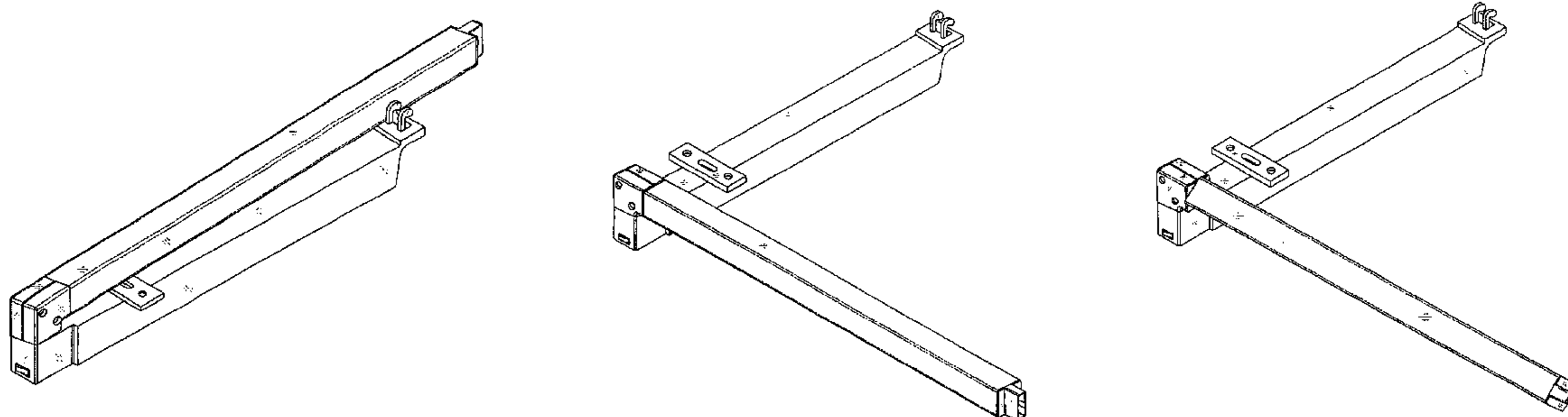
FIG. 1 is a perspective view of a lamp with adjustable arm, showing my new design;
 FIG. 2 is a side view;
 FIG. 3 is a top plan view;
 FIG. 4 is a perspective view of the lamp in an open position;
 FIG. 5 is a perspective view of the lamp in another position;
 FIG. 6 is a perspective view of the lamp in yet another position;
 FIG. 7 is a perspective view of the lamp in yet another position;
 FIG. 8 is a perspective view of the lamp in yet another position;
 FIG. 9 is a perspective view of the lamp in yet another position; and,
 FIG. 10 is a perspective view of the lamp in yet another position.
 The broken lines shown on the drawings are for illustrative purposes only and form no part of the claimed design.

(56) **References Cited**

U.S. PATENT DOCUMENTS

- D99,589 S * 5/1936 Strauss D26/107
- D122,711 S 9/1940 May
- D151,855 S 11/1948 Nitardy
- 3,652,848 A * 3/1972 Miller et al. 362/218
- D243,711 S * 3/1977 Haft D26/62
- 4,305,560 A 12/1981 Ban
- D274,473 S 6/1984 de Boer
- D283,056 S 3/1986 Ansems
- 4,598,344 A 7/1986 Nadler
- D292,236 S 10/1987 Caldwell
- D303,848 S * 10/1989 Bianchi D26/65
- D327,334 S * 6/1992 Parker D26/65
- 5,422,802 A 6/1995 Lin

1 Claim, 10 Drawing Sheets



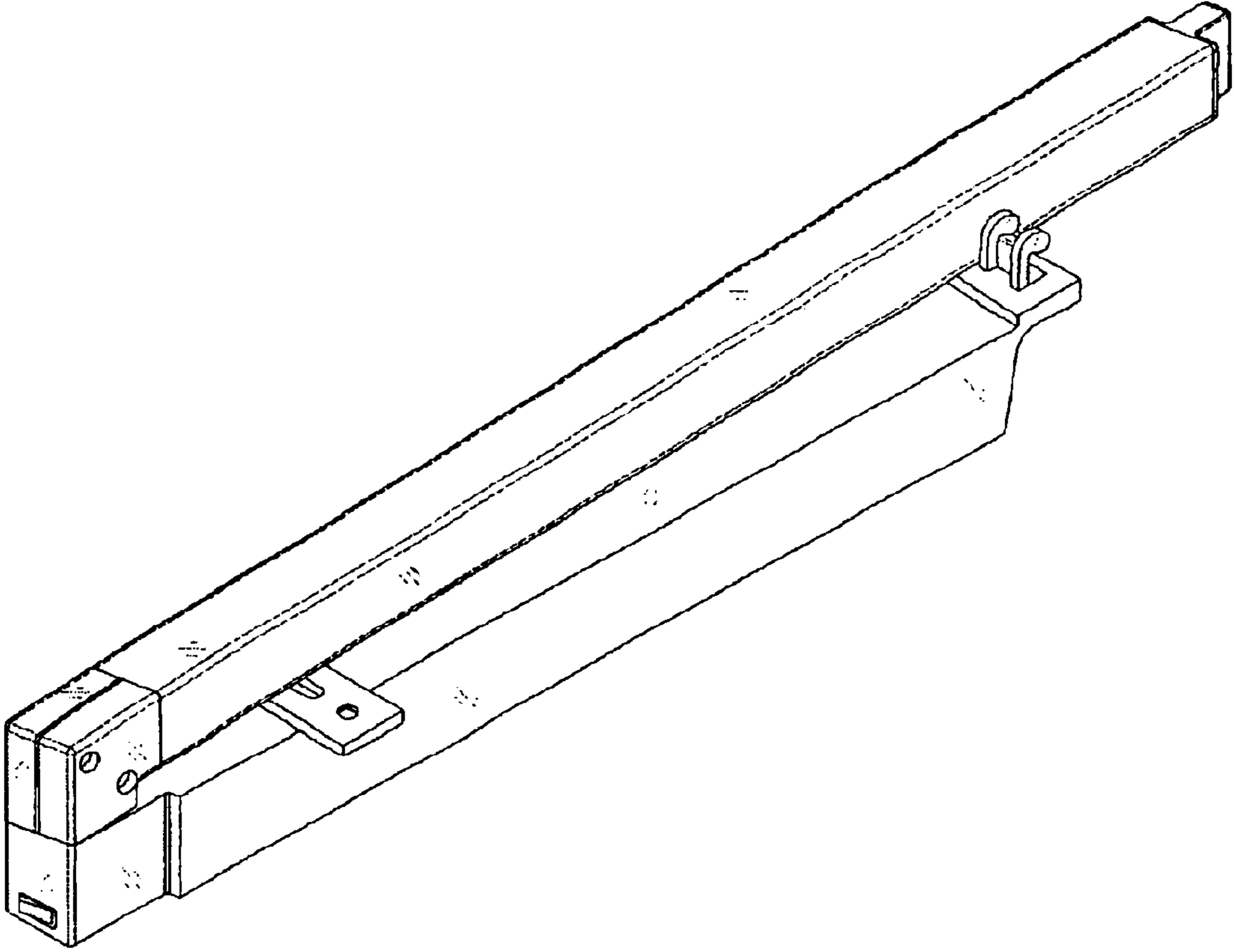


Fig. 1

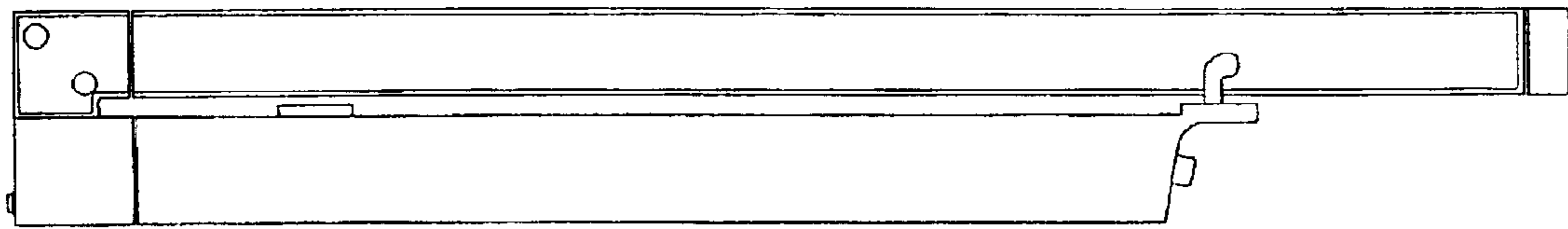


Fig. 2

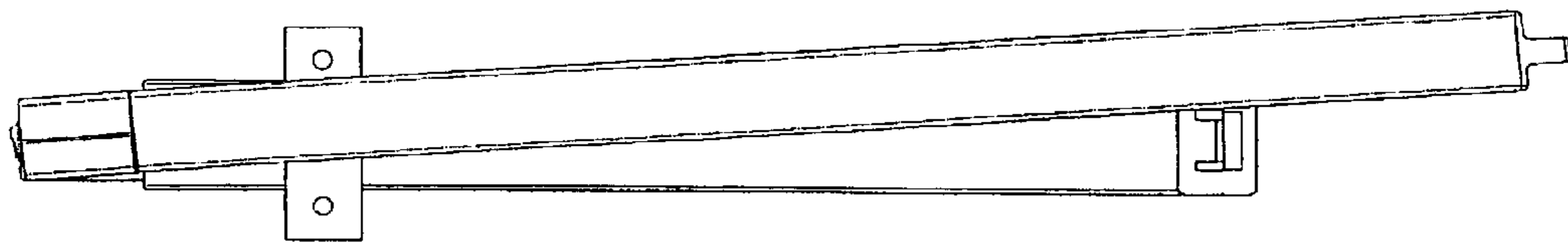


Fig. 3

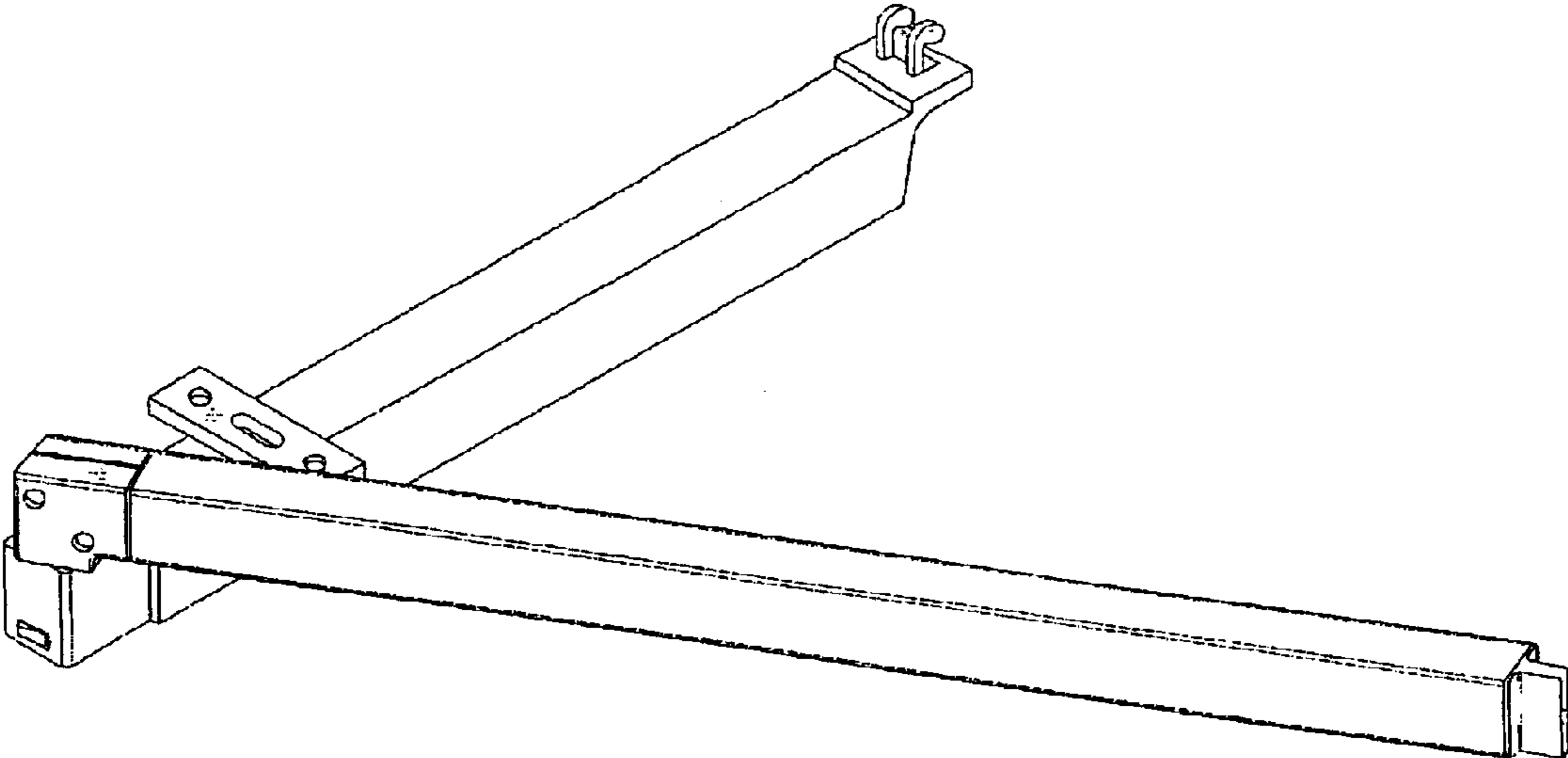


Fig. 4

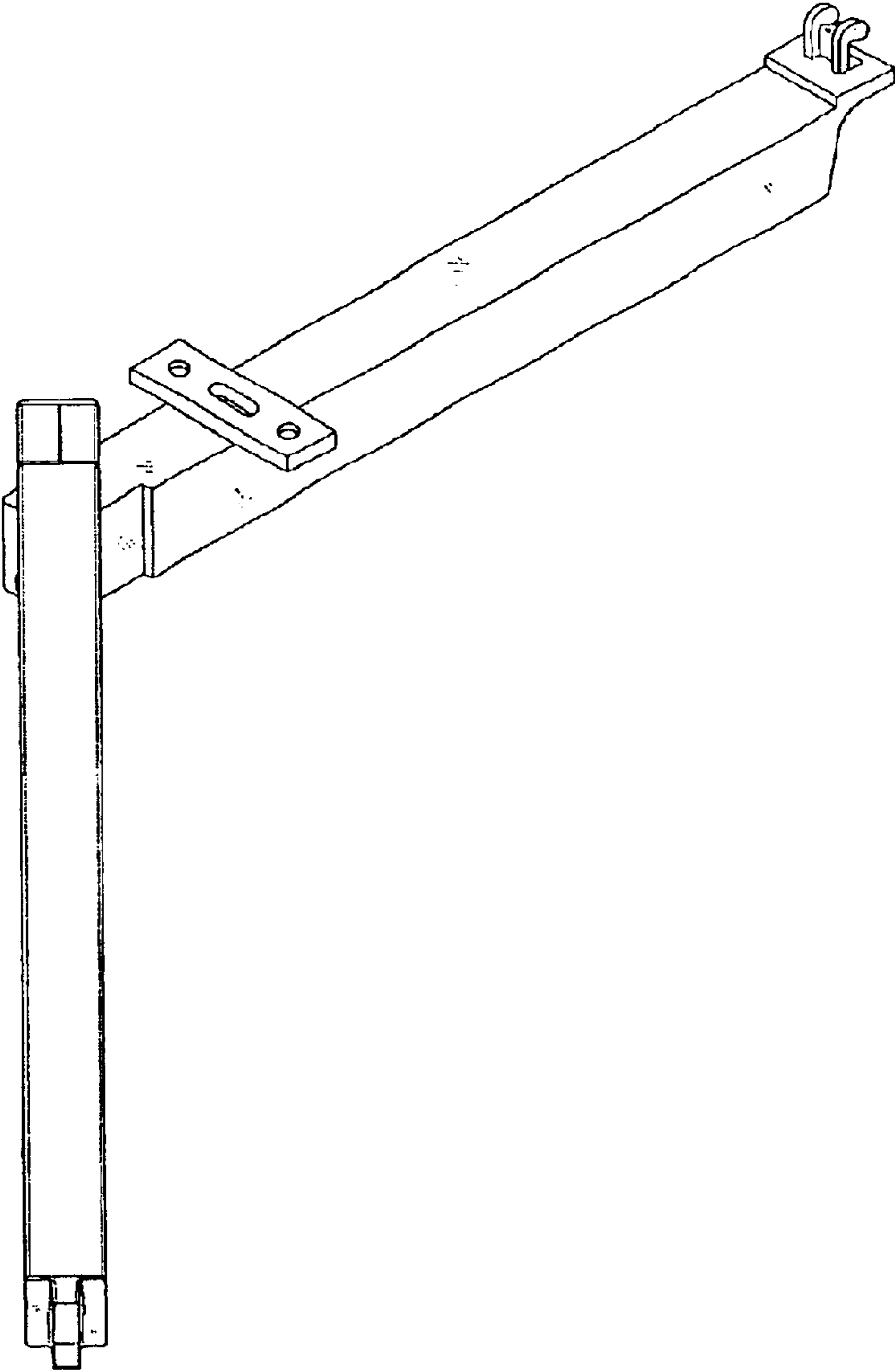


Fig. 5

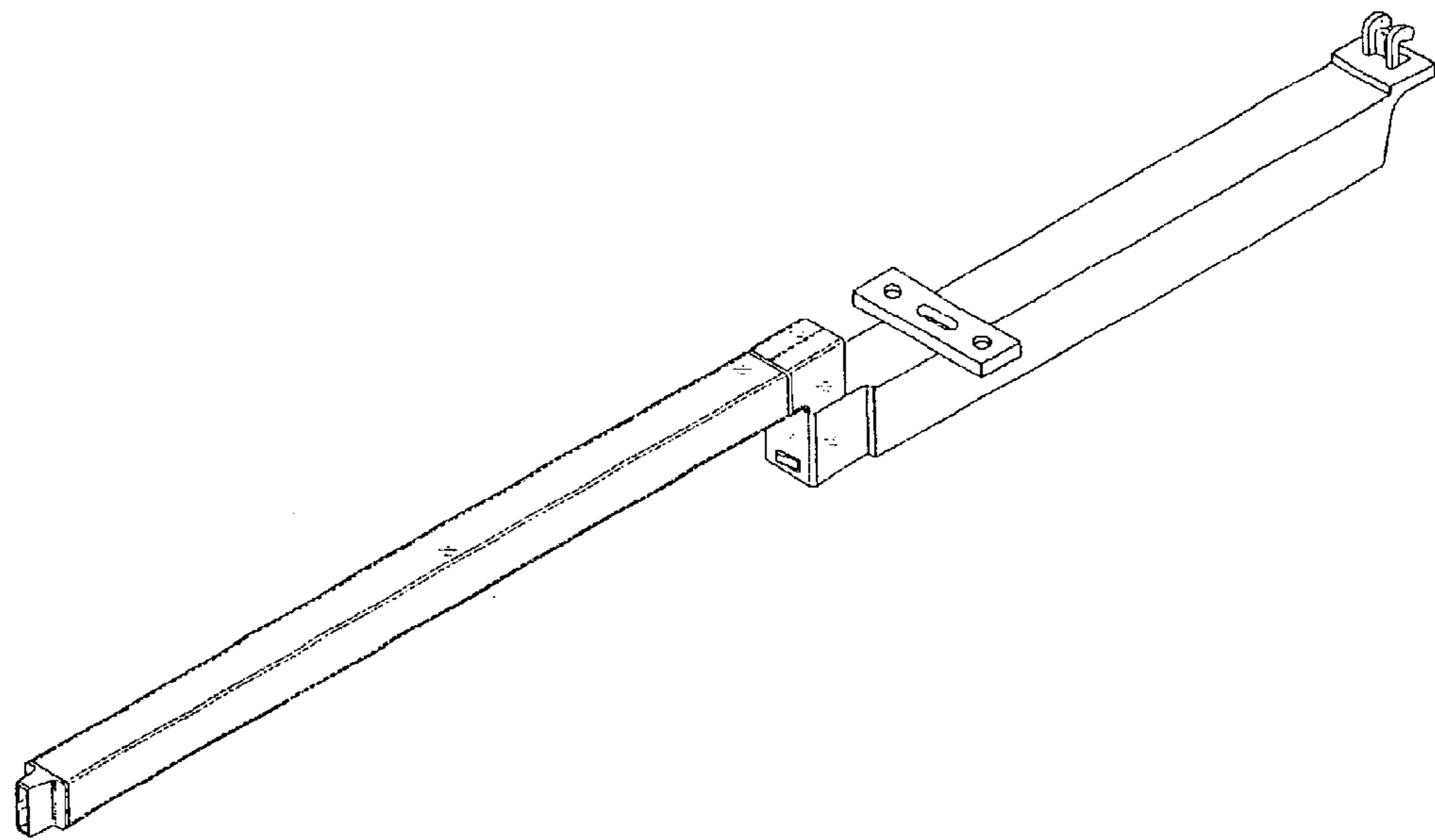


Fig. 6

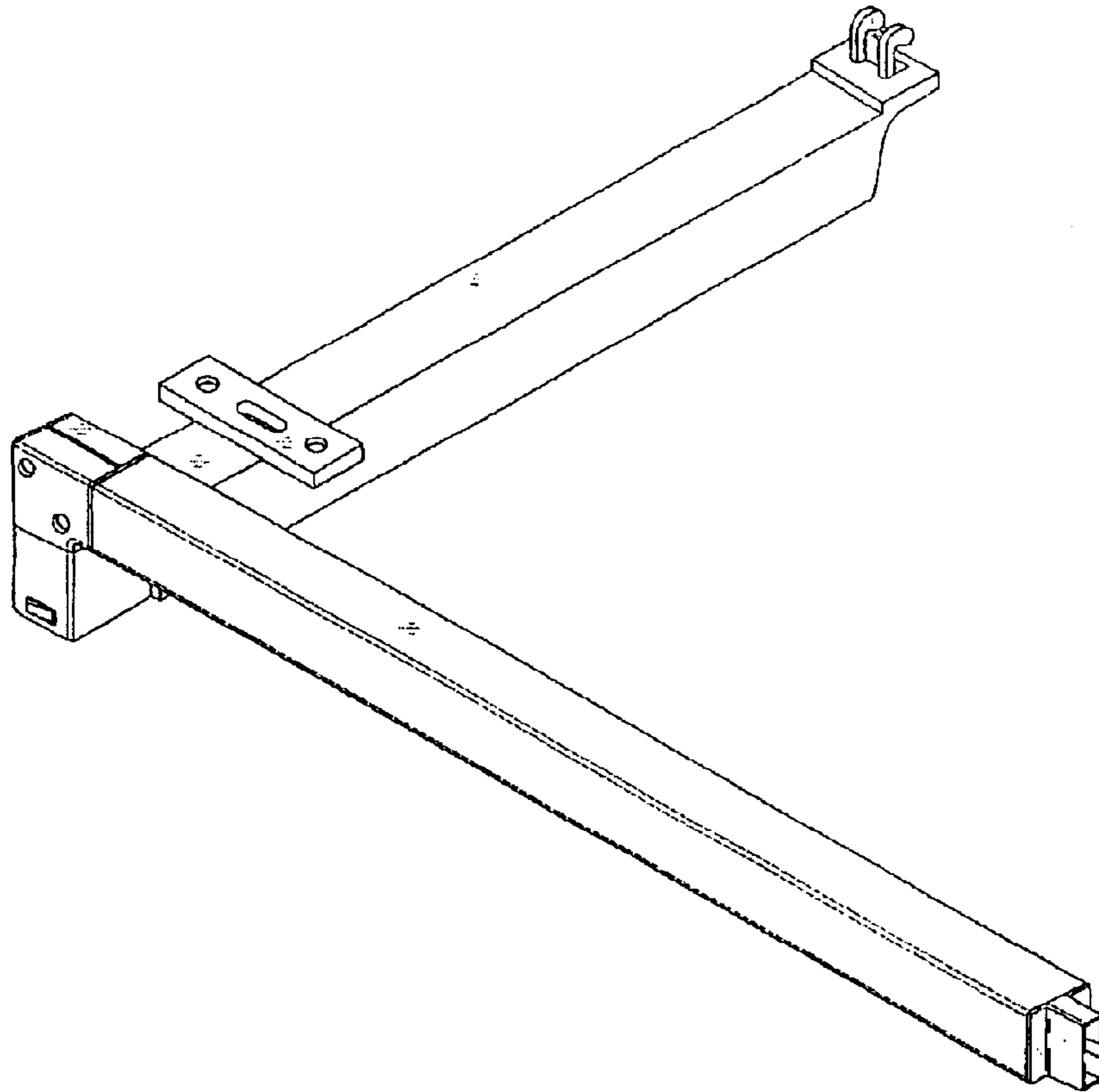


Fig. 7

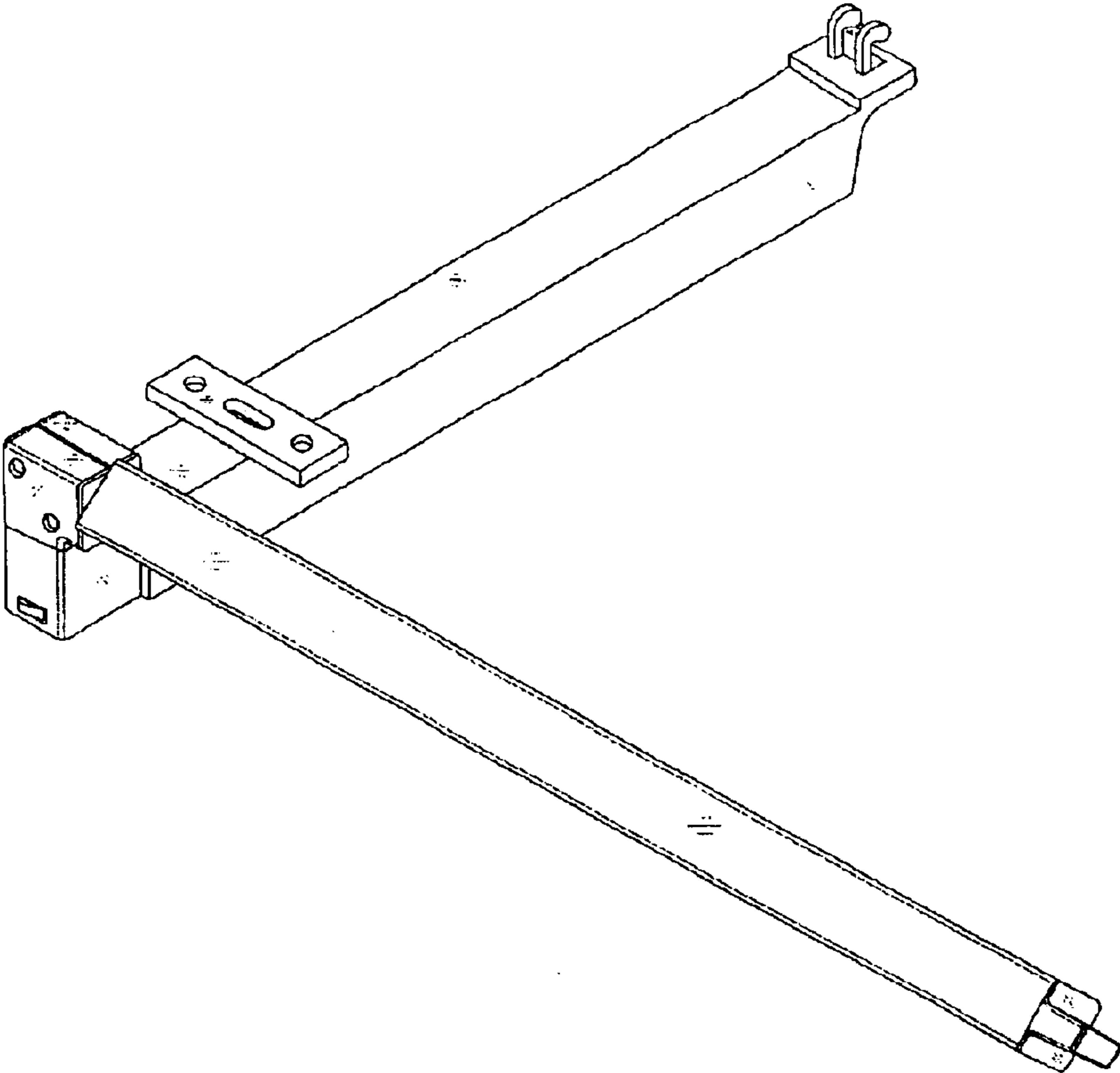


Fig. 8

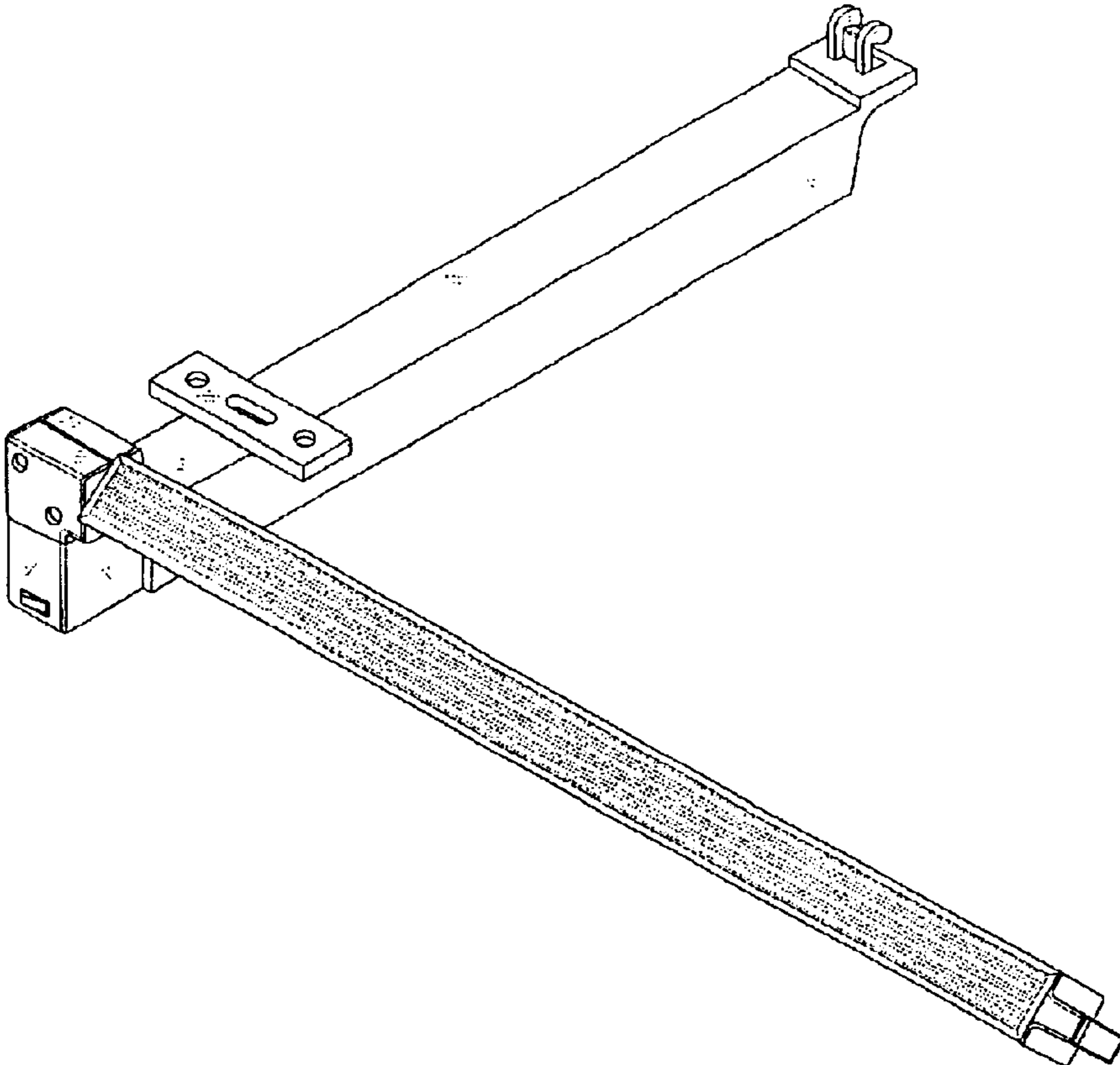


Fig. 9

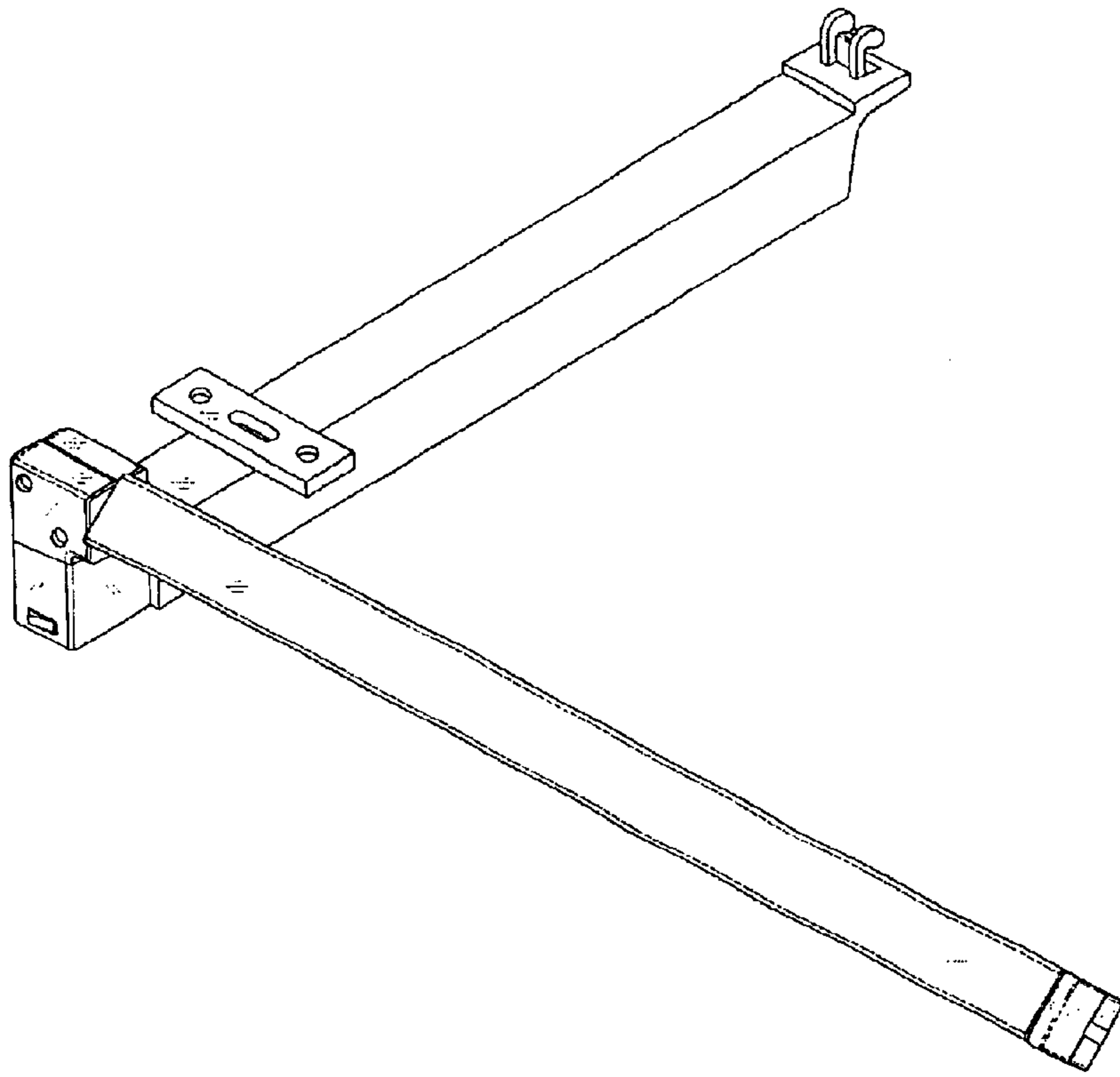


Fig. 10