



US00D510445S

(12) **United States Design Patent**  
**Fannan**

(10) **Patent No.:** **US D510,445 S**

(45) **Date of Patent:** **\*\* Oct. 4, 2005**

(54) **WINDOW COMPONENT EXTRUSION**

*Primary Examiner—Doris Clark*

(75) **Inventor:** **Michael R. Fannan**, Pecatonica, IL  
(US)

(74) *Attorney, Agent, or Firm—Black Lowe & Graham  
PLLC*

(73) **Assignee:** **Mikron Industries, Inc.**, Kent, WA  
(US)

(57) **CLAIM**

(\*\*) **Term:** **14 Years**

The ornamental design for a window component extrusion,  
as shown and described.

(21) **Appl. No.:** **29/198,287**

(22) **Filed:** **Jan. 27, 2004**

**DESCRIPTION**

(51) **LOC (8) Cl.** ..... **25-01**

FIG. 1 is a top right perspective view of the window  
component extrusion which is broken in the center indicat-  
ing indefinite length; and,

(52) **U.S. Cl.** ..... **D25/124**

(58) **Field of Search** ..... D25/124, 125;  
52/204.1, 204.5; 49/DIG. 2, 504

FIG. 2 is a bottom left perspective view of the window  
component extrusion shown in FIG. 1.

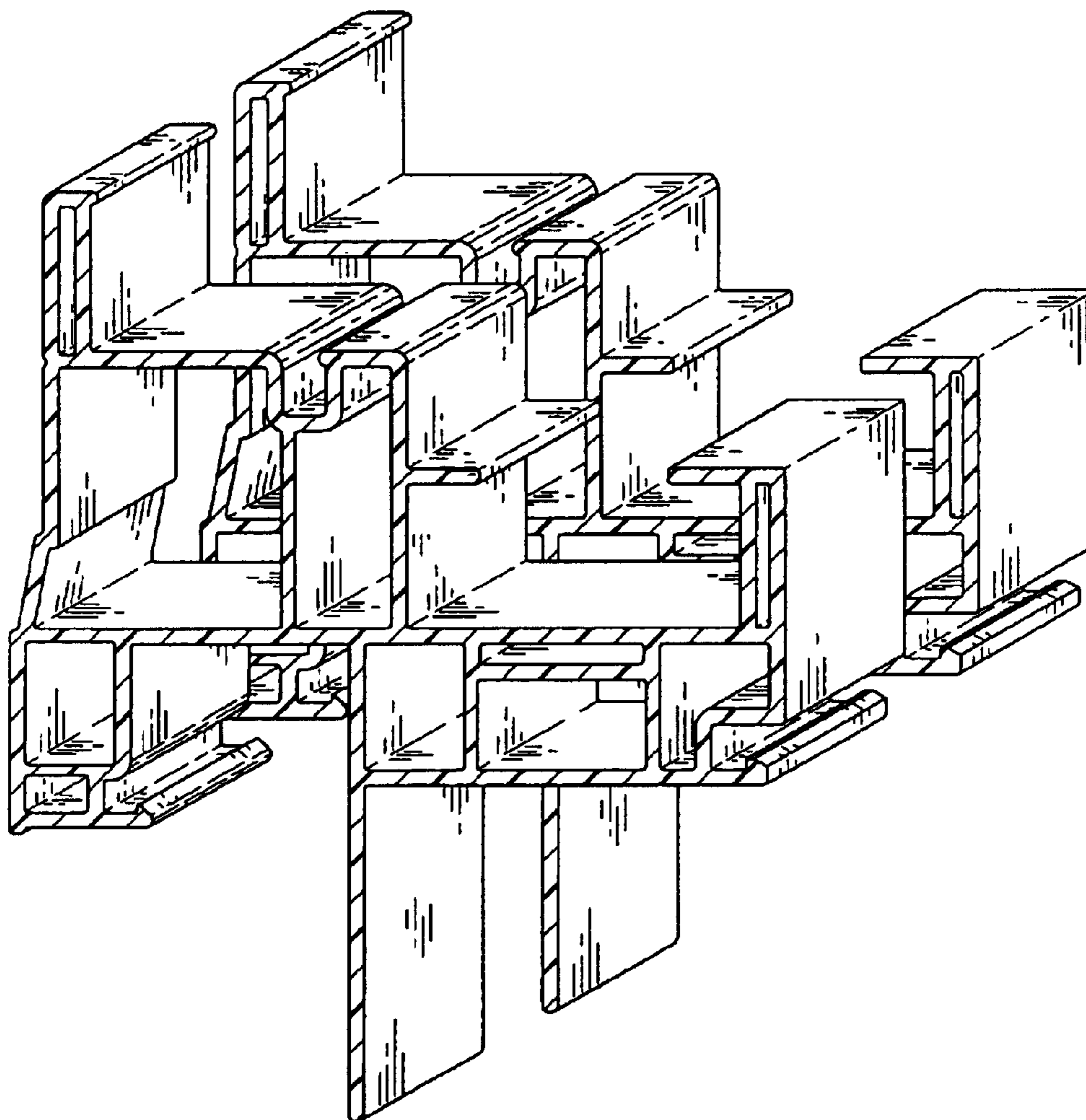
(56) **References Cited**

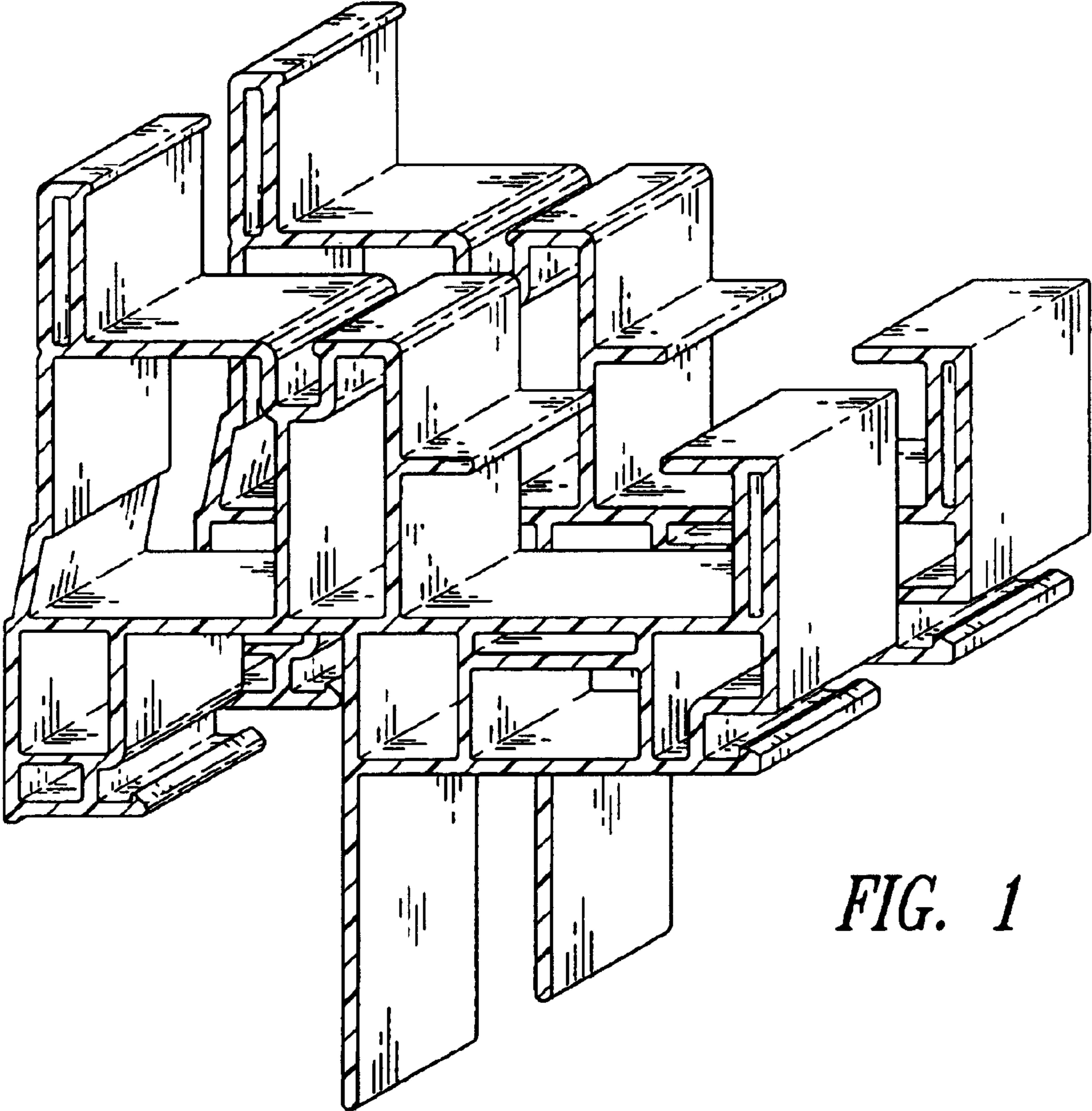
**U.S. PATENT DOCUMENTS**

D404,149 S \* 1/1999 Jarrell ..... D25/124

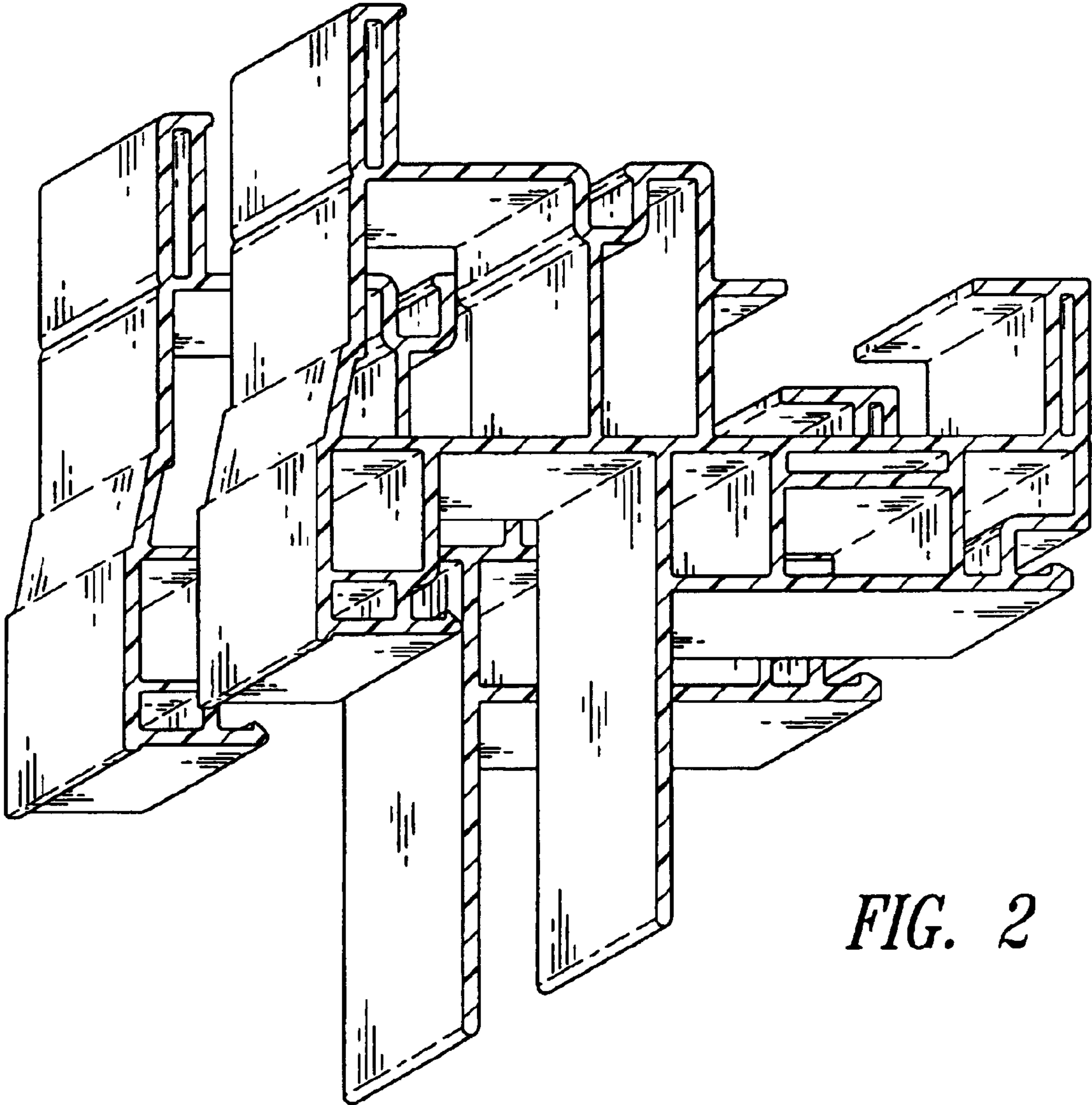
\* cited by examiner

**1 Claim, 2 Drawing Sheets**





*FIG. 1*



*FIG. 2*