



US00D510444S

(12) **United States Design Patent**
Lockbeam

(10) **Patent No.:** **US D510,444 S**

(45) **Date of Patent:** **** Oct. 4, 2005**

(54) **WINDOW COMPONENT EXTRUSION**

D423,120 S 4/2000 Cole D25/124
D463,579 S 9/2002 Franson D25/124

(75) **Inventor:** **Michael D. Lockbeam**, Spanaway, WA
(US)

* cited by examiner

(73) **Assignee:** **Mikron Industries, Inc.**, Kent, WA
(US)

Primary Examiner—Doris Clark
(74) *Attorney, Agent, or Firm*—Black Lowe & Graham
PLLC

(**) **Term:** **14 Years**

(57) **CLAIM**

(21) **Appl. No.:** **29/191,809**

The ornamental design for a window component extrusion,
as shown and described.

(22) **Filed:** **Oct. 14, 2003**

DESCRIPTION

(51) **LOC (8) Cl.** **25-01**

(52) **U.S. Cl.** **D25/124**

(58) **Field of Search** D25/124, 125,
D25/60, 52; 52/204.1, 204.51, 230.3, 205.1,
202, 730.5, 731, 738, 732, 204.5; 49/DIG. 2,
504, 505, 407, 408

FIG. 1 is a top right perspective view of the window
component extrusion which is broken in the center indicat-
ing indefinite length.

FIG. 2 is a bottom left perspective view of the window
component extrusion shown in FIG. 1.

FIG. 3 is a top right perspective view of a second embodi-
ment of the window component extrusion which is broken in
the center indicating indefinite length; and,

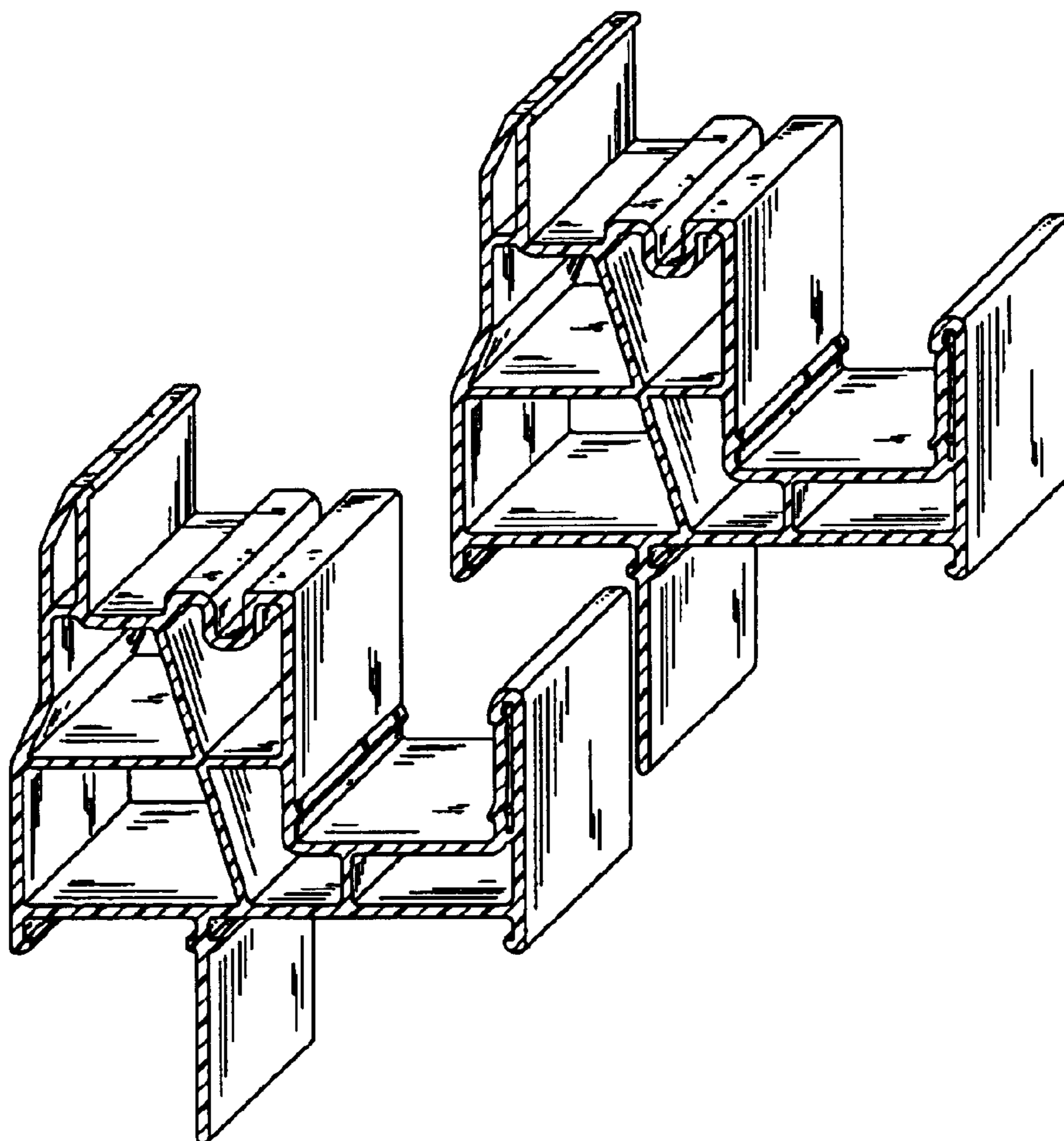
FIG. 4 is a bottom left perspective view of the window
component extrusion shown in FIG. 3.

(56) **References Cited**

U.S. PATENT DOCUMENTS

D402,056 S * 12/1998 Leonelli D25/124
D407,505 S * 3/1999 Hersh et al. D25/124

1 Claim, 2 Drawing Sheets



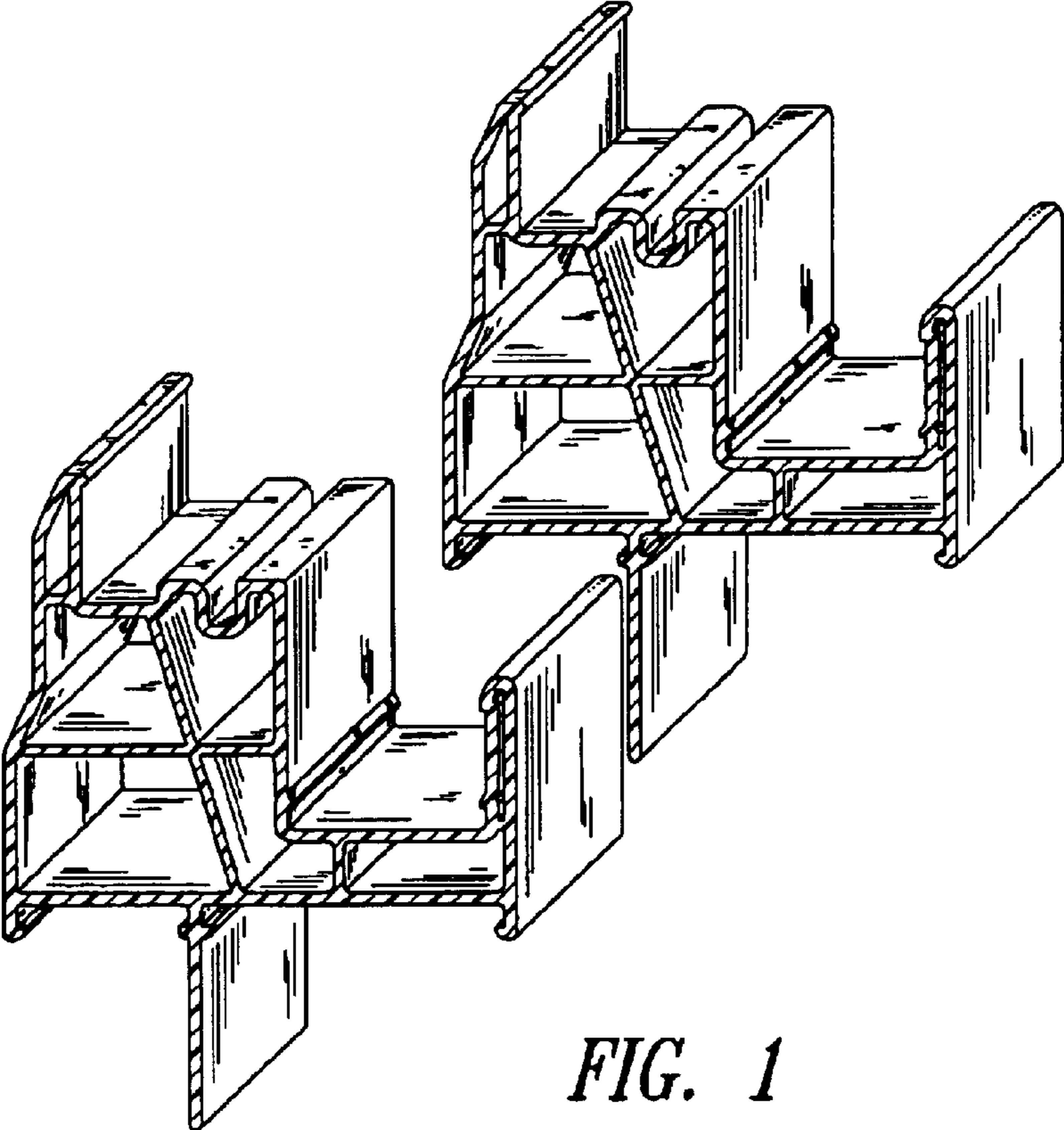


FIG. 1

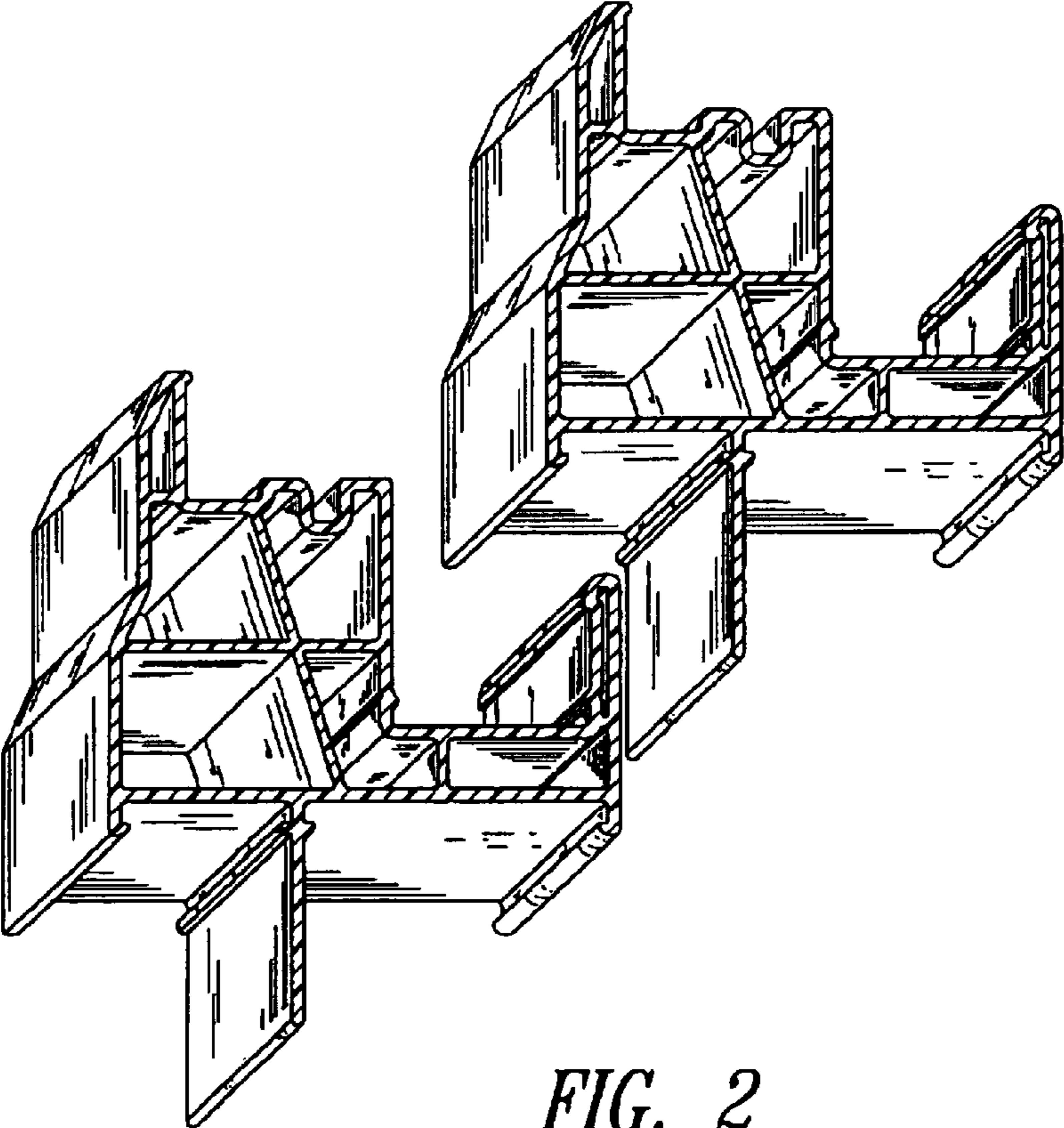


FIG. 2

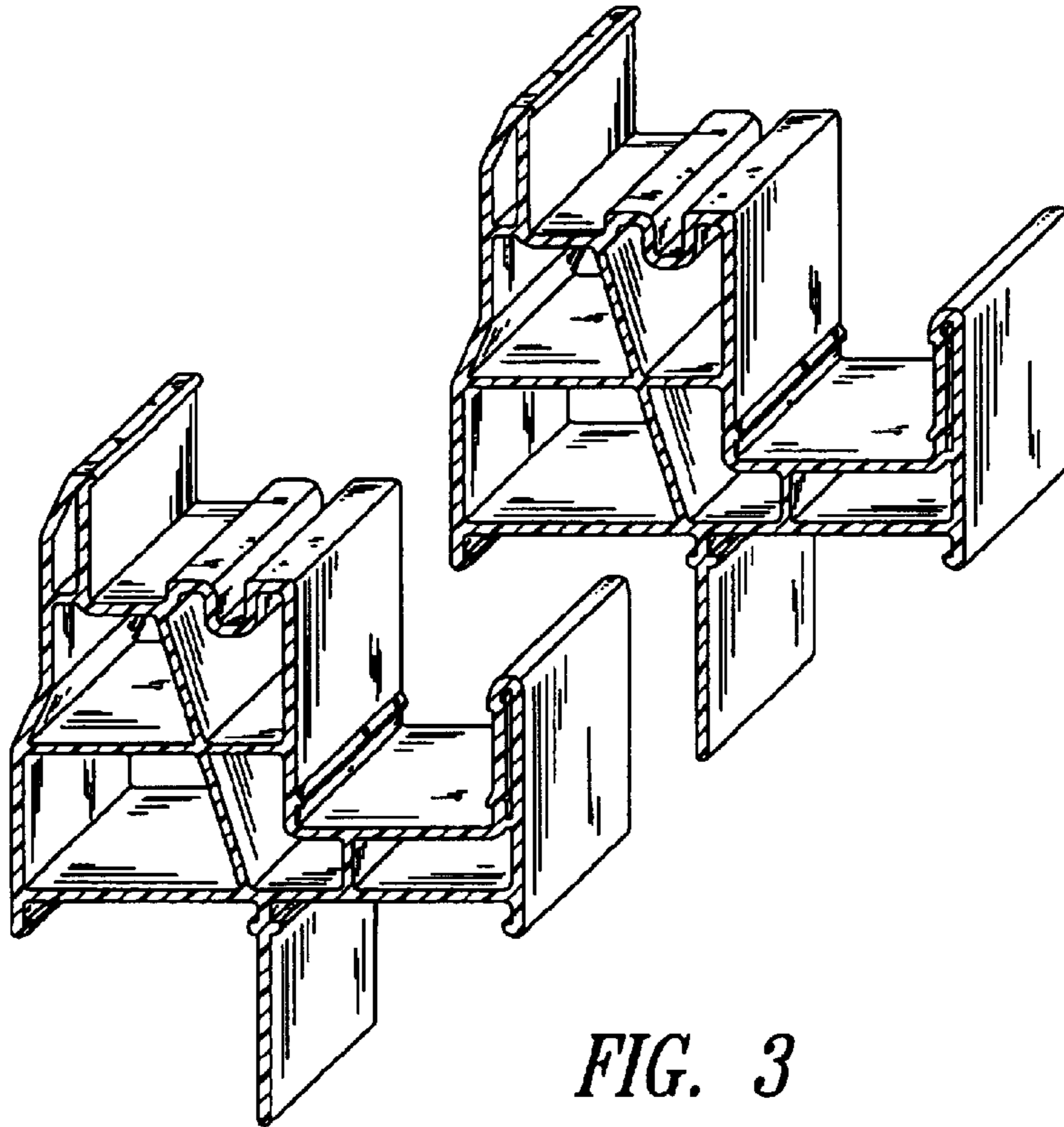


FIG. 3

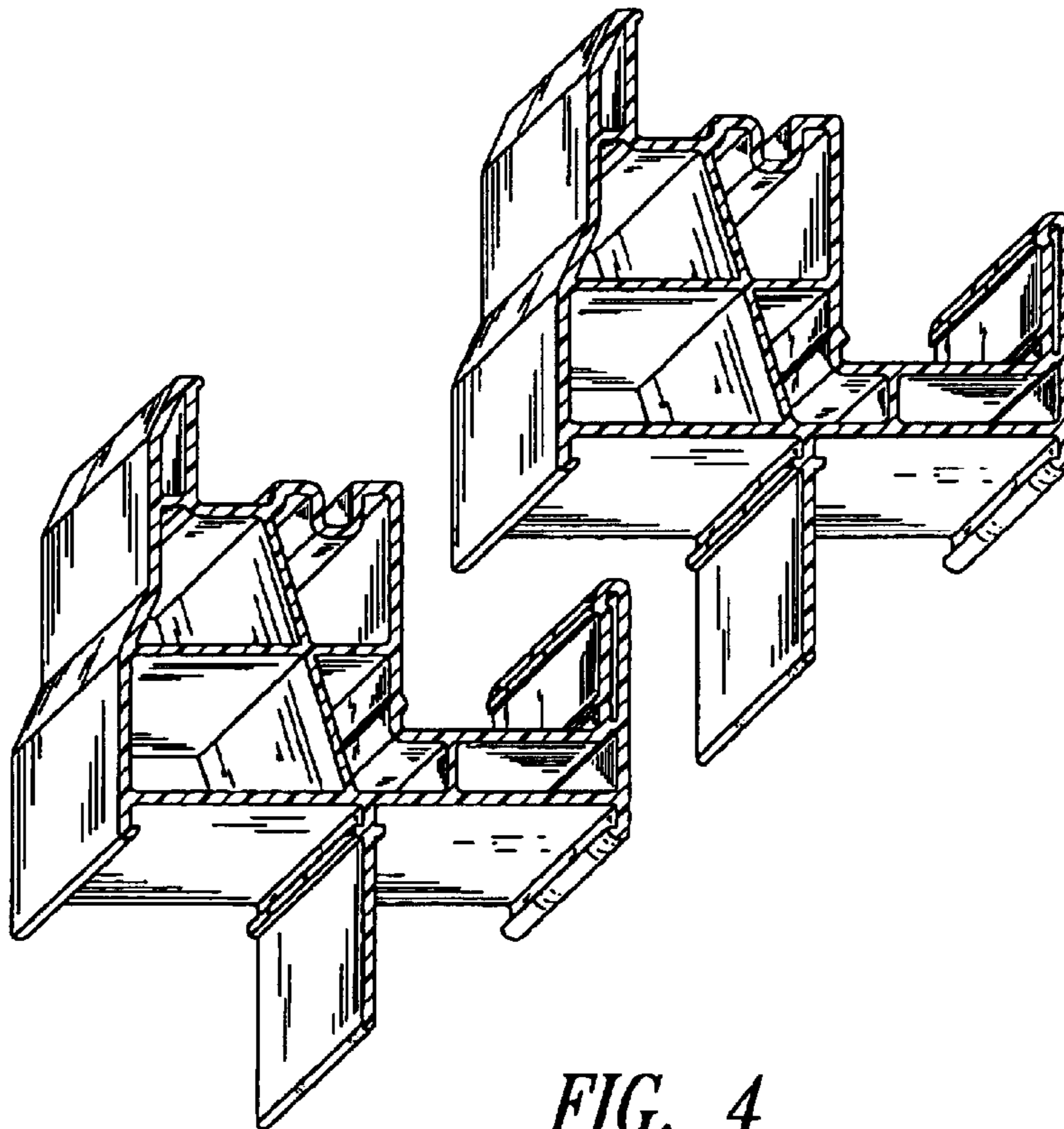


FIG. 4