



US00D510441S

(12) **United States Design Patent**  
**Harris, Jr. et al.**

(10) **Patent No.:** **US D510,441 S**  
(45) **Date of Patent:** **\*\* Oct. 4, 2005**

(54) **MASSAGER**

(75) Inventors: **Kenneth David Harris, Jr.**, Nashua, NH (US); **J. Neil Gleason**, Milford, NH (US); **Joseph Geringer**, Merrimack, NH (US); **Rudy Woodard**, Boston, MA (US); **Steven H. Schwartz**, Bedford, NH (US)

(73) Assignee: **Brookstone Purchasing, Inc.**, Merrimack, NH (US)

(\*\*) Term: **14 Years**

(21) Appl. No.: **29/196,867**

(22) Filed: **Jan. 6, 2004**

(51) **LOC (8) Cl.** ..... **28-03**

(52) **U.S. Cl.** ..... **D24/215; D24/214**

(58) **Field of Search** ..... D24/215, 200, D24/211; 601/48, 46, 101, 87, 84, 80, 70, 67

(56) **References Cited**

**U.S. PATENT DOCUMENTS**

4,876,489 A	10/1989	Cawthorne	.....	342/383
D350,397 S	9/1994	Burno et al.	.....	D24/214
D363,994 S	* 11/1995	Cheng	.....	D24/215
D384,158 S	9/1997	Kain	.....	D24/215
5,674,261 A	10/1997	Smith	.....	607/46

5,766,210 A	6/1998	Komoroczy et al.	.....	601/135
D403,431 S	12/1998	Gladieux, Jr.	.....	D24/215
6,053,881 A	4/2000	Boodramsingh et al.	.....	601/70
D454,959 S	3/2002	Harris et al.	.....	D24/215
D456,909 S	5/2002	Szabo	.....	D24/214
6,432,072 B1 *	8/2002	Harris et al.	.....	601/101
D466,217 S *	11/2002	Harris et al.	.....	D24/215
D466,612 S	12/2002	Harris et al.	.....	D24/215
D475,793 S	6/2003	Tinsley	.....	D24/214
2003/0009116 A1	1/2003	Luetngen et al.	.....	601/46

\* cited by examiner

*Primary Examiner*—Ian Simmons

(74) *Attorney, Agent, or Firm*—Nixon Peabody LLP; Tim L. Brackett, Jr.

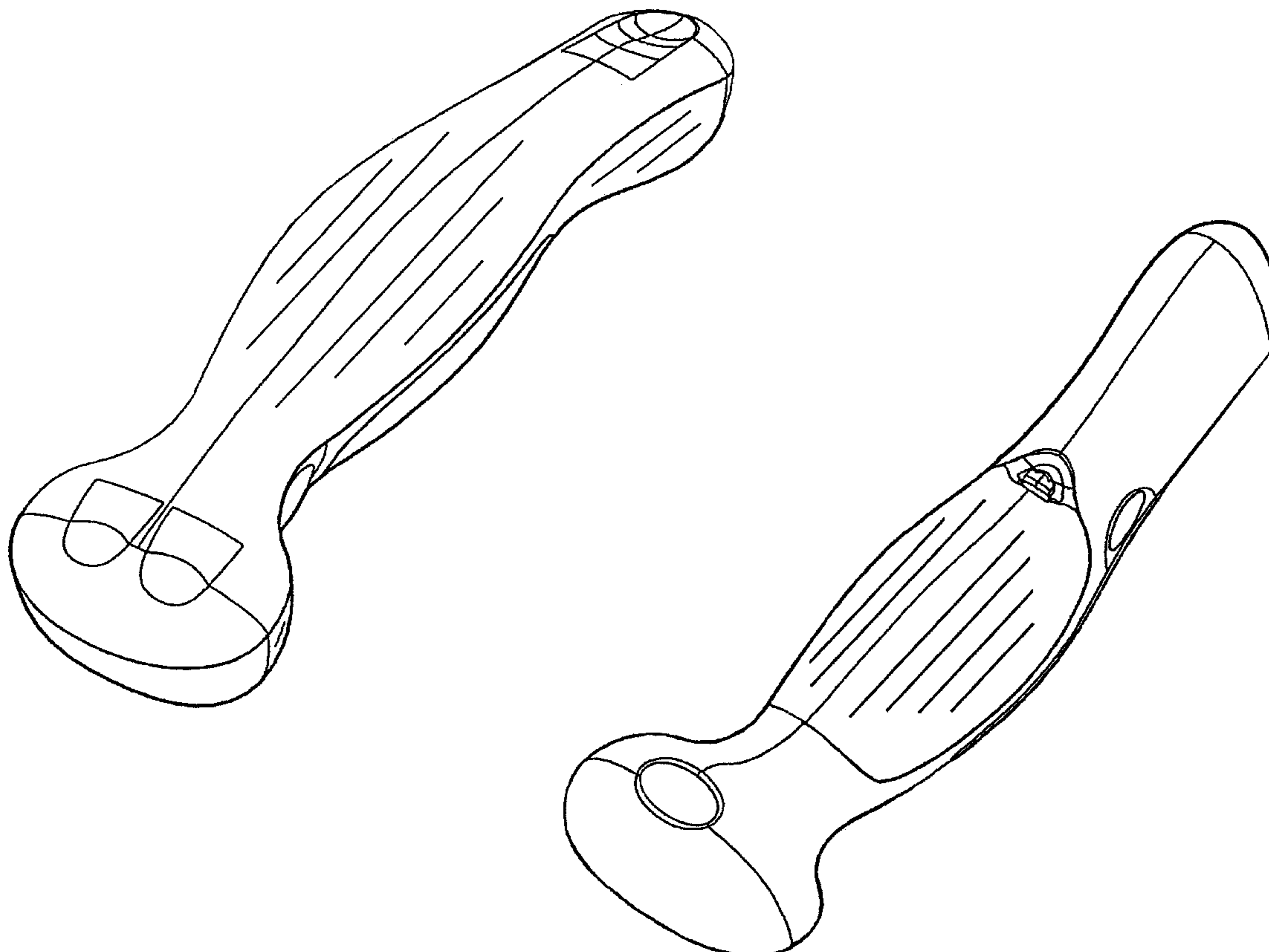
(57) **CLAIM**

I claim the ornamental design for a massager, as shown and described.

**DESCRIPTION**

FIG. 1 is a top perspective view of a massager showing our new design;  
FIG. 2 is a bottom perspective view thereof;  
FIG. 3. is a top profile view thereof;  
FIG. 4 is a right-side profile view thereof;  
FIG. 5 is a left-side profile view thereof;  
FIG. 6 is a front profile view thereof; and,  
FIG. 7 is a rear profile view of the massager.

**1 Claim, 7 Drawing Sheets**



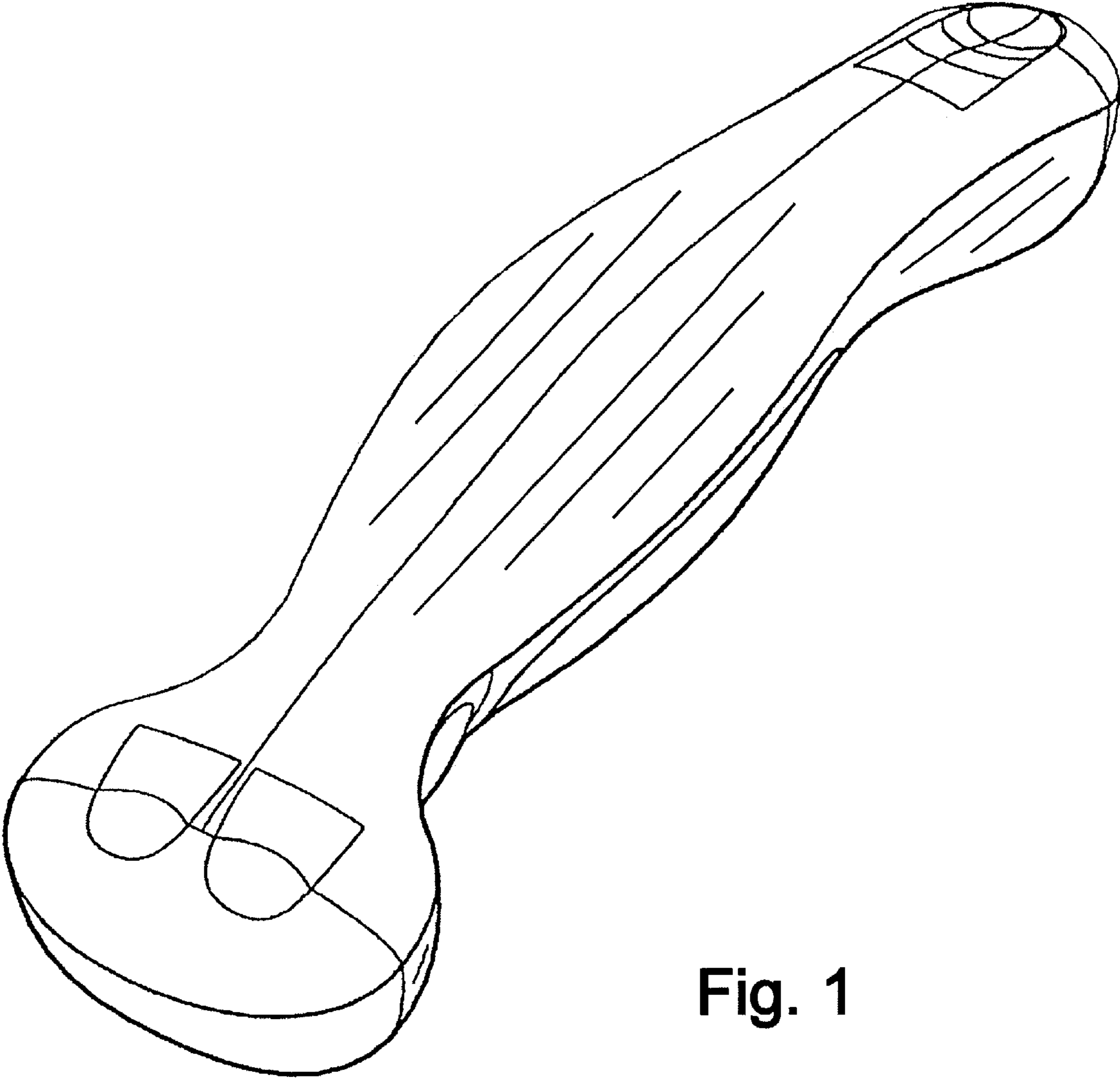


Fig. 1

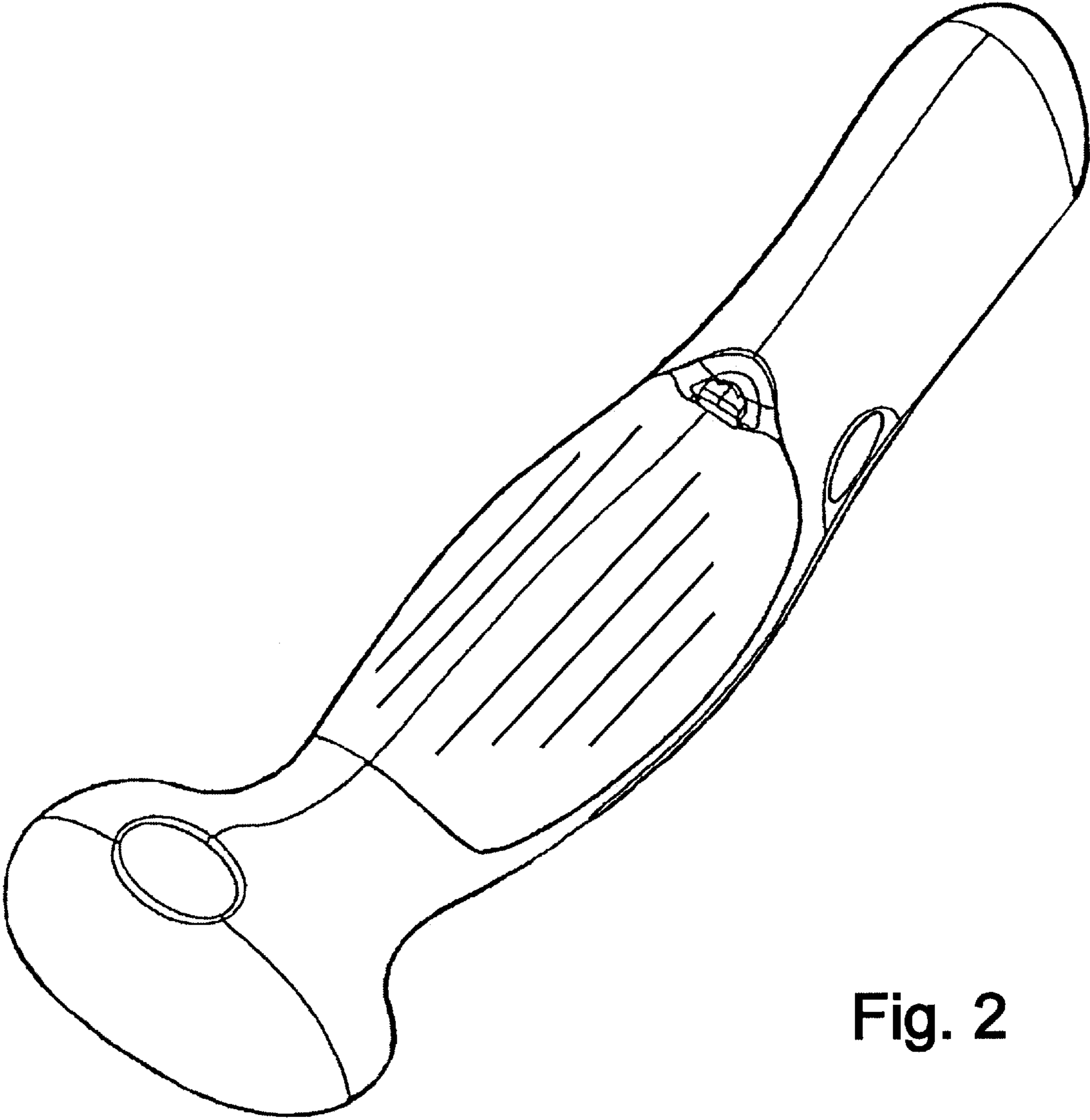


Fig. 2

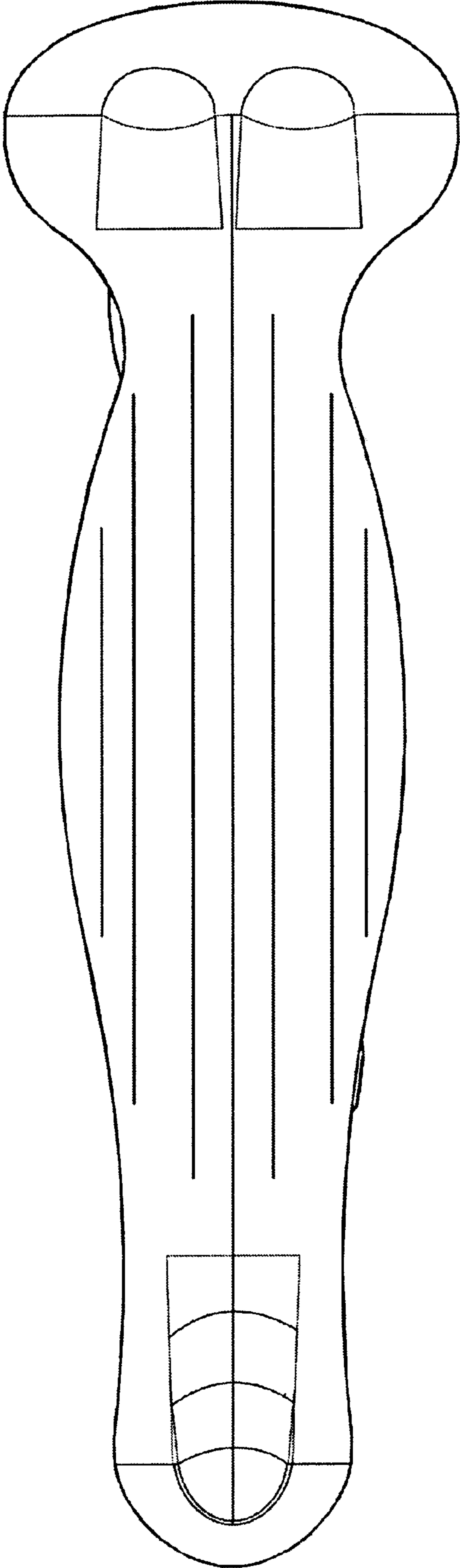


Fig. 3

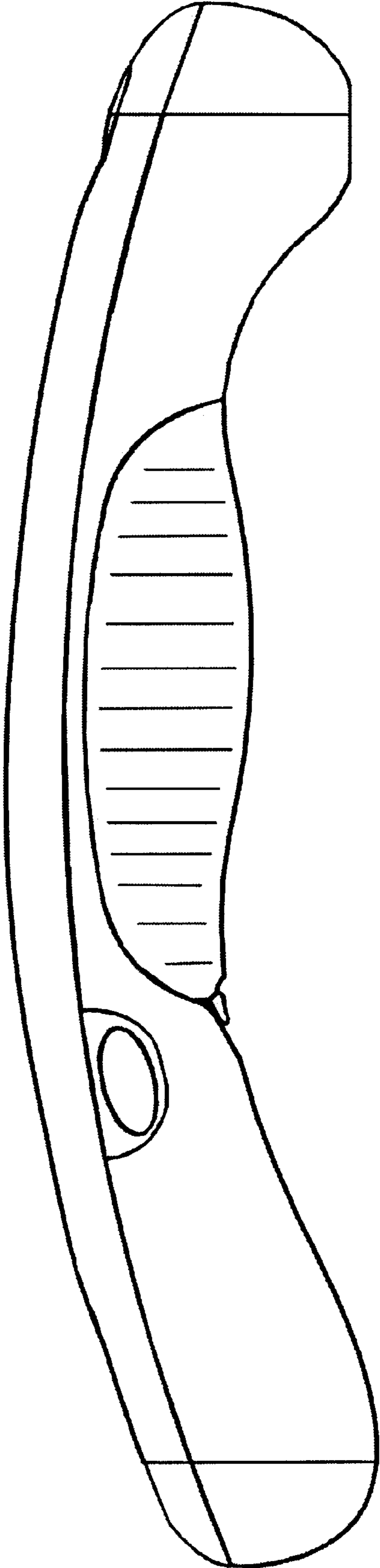


Fig. 4

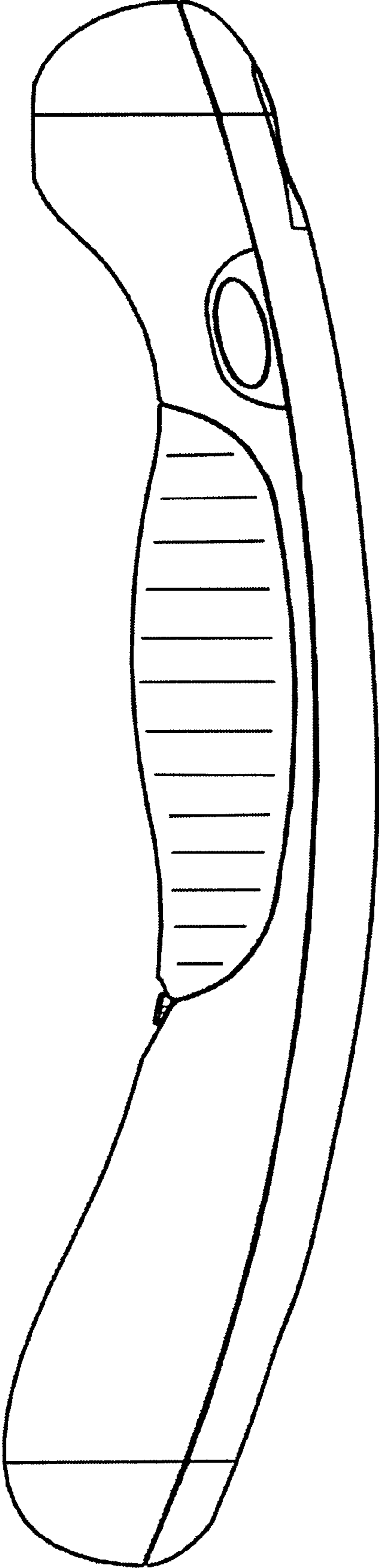
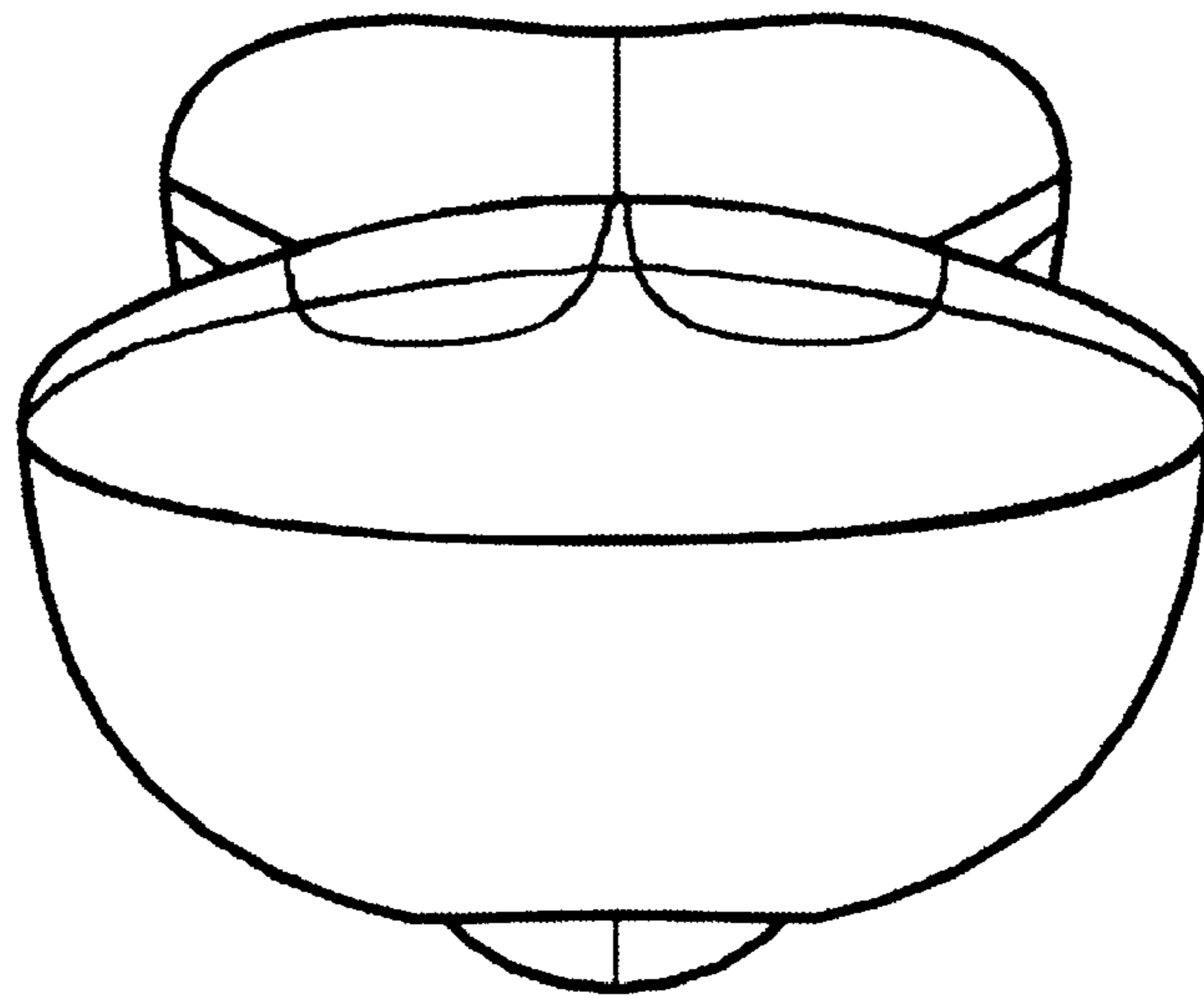
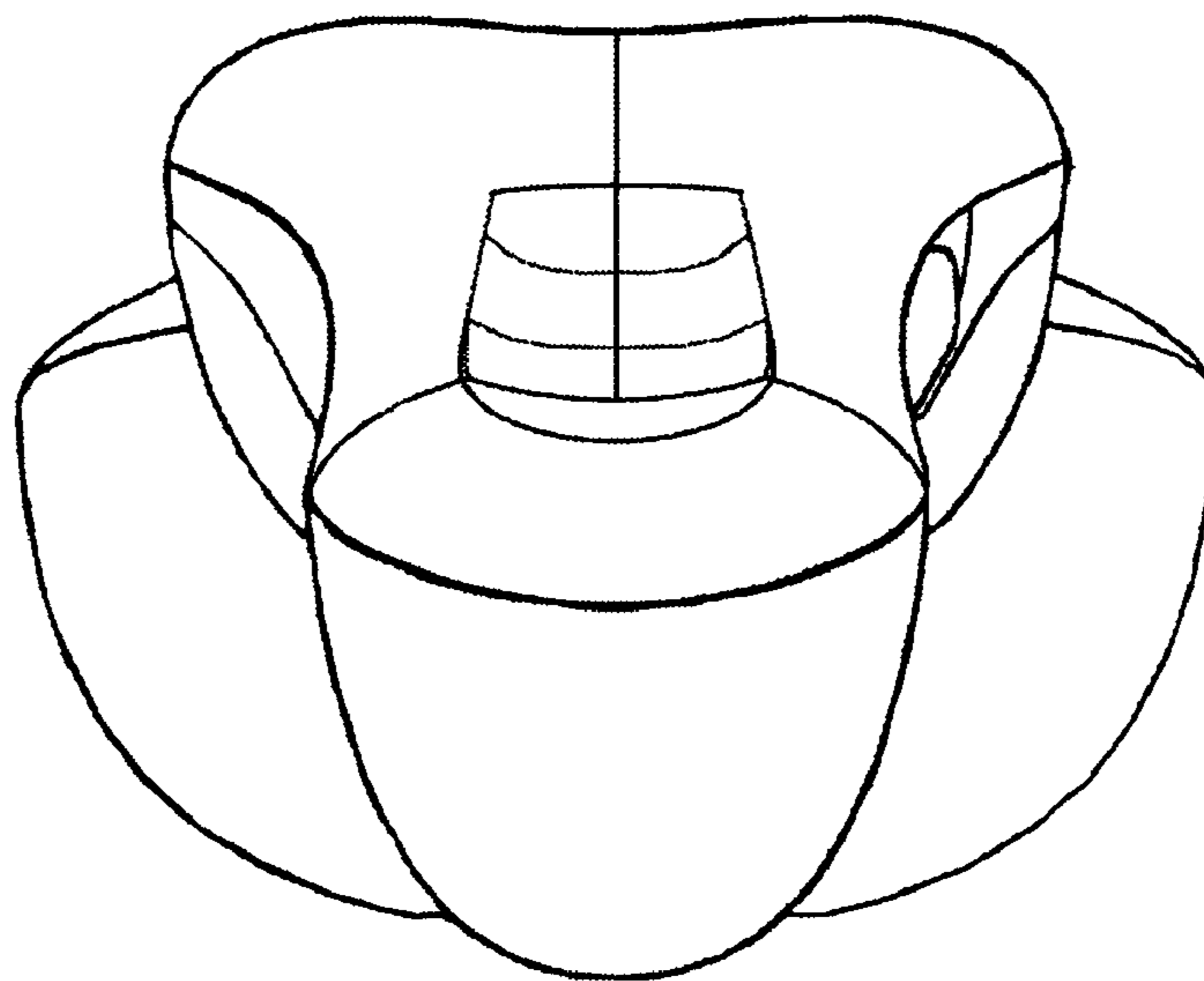


Fig. 5



**Fig. 6**



**Fig. 7**