



US00D510439S

(12) **United States Design Patent**
Wilkens

(10) **Patent No.:** **US D510,439 S**

(45) **Date of Patent:** **** Oct. 4, 2005**

(54) **ORAL BRACE COVER**

(75) **Inventor:** **Paul Wilkens**, Tampa, FL (US)

(73) **Assignee:** **Ortho Technology, Inc.**, Tampa, FL (US)

(**) **Term:** **14 Years**

(21) **Appl. No.:** **29/201,899**

(22) **Filed:** **Mar. 23, 2004**

(51) **LOC (8) Cl.** **24-01**

(52) **U.S. Cl.** **D24/180; 24/3**

(58) **Field of Search** D24/152-156,
D24/176, 110, 180; 132/329; 433/17, 22,
168.1, 216, 181, 177, 172; 623/28, 38,
26, 32-36

(56) **References Cited**

U.S. PATENT DOCUMENTS

1,297,199	A	*	3/1919	McAuley	433/181
2,078,647	A	*	4/1937	Wahlberg	433/177
3,158,934	A	*	12/1964	Waldman	433/22
3,391,461	A	*	7/1968	Johnson	433/17
3,613,244	A	*	10/1971	Flecher	433/172
4,362,509	A	*	12/1982	Sulc	433/181
4,927,362	A	*	5/1990	Snead	433/17
D331,282	S	*	11/1992	Kallus	D24/156

D382,964	S	*	8/1997	Carmichael	D24/180
6,039,564	A	*	3/2000	Hendrick	433/17
6,217,322	B1	*	4/2001	Kesling	433/17

* cited by examiner

Primary Examiner—Charles A. Rademaker

(74) *Attorney, Agent, or Firm*—Arthur W. Fisher, III

(57) **CLAIM**

I claim the ornamental design for an oral brace cover, as shown and described.

DESCRIPTION

FIG. 1 is a perspective view of the oral brace cover.

FIG. 2 is a top side elevational view of the oral brace cover thereof.

FIG. 3 is a bottom side elevational view of the oral brace cover thereof.

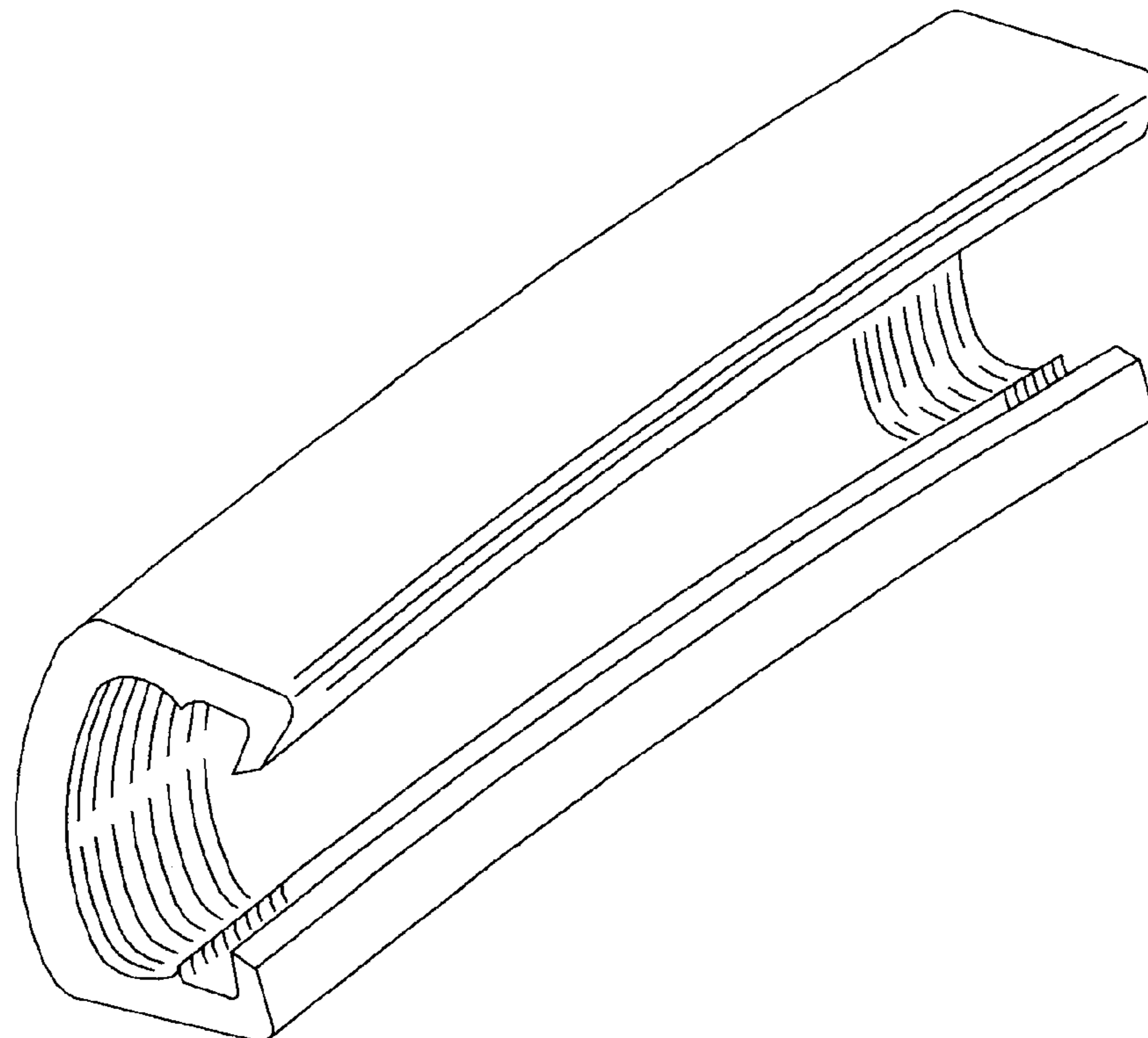
FIG. 4 is a right elevational view of the oral brace cover thereof.

FIG. 5 is a left elevational view of the oral brace cover thereof.

FIG. 6 is a front view of the oral brace cover thereof; and, FIG. 7 is a rear view of the oral brace cover thereof.

The broken line showing of the braces in FIGS. 4 and 5 is for illustrative purposes only and forms no part of the claimed design.

1 Claim, 5 Drawing Sheets



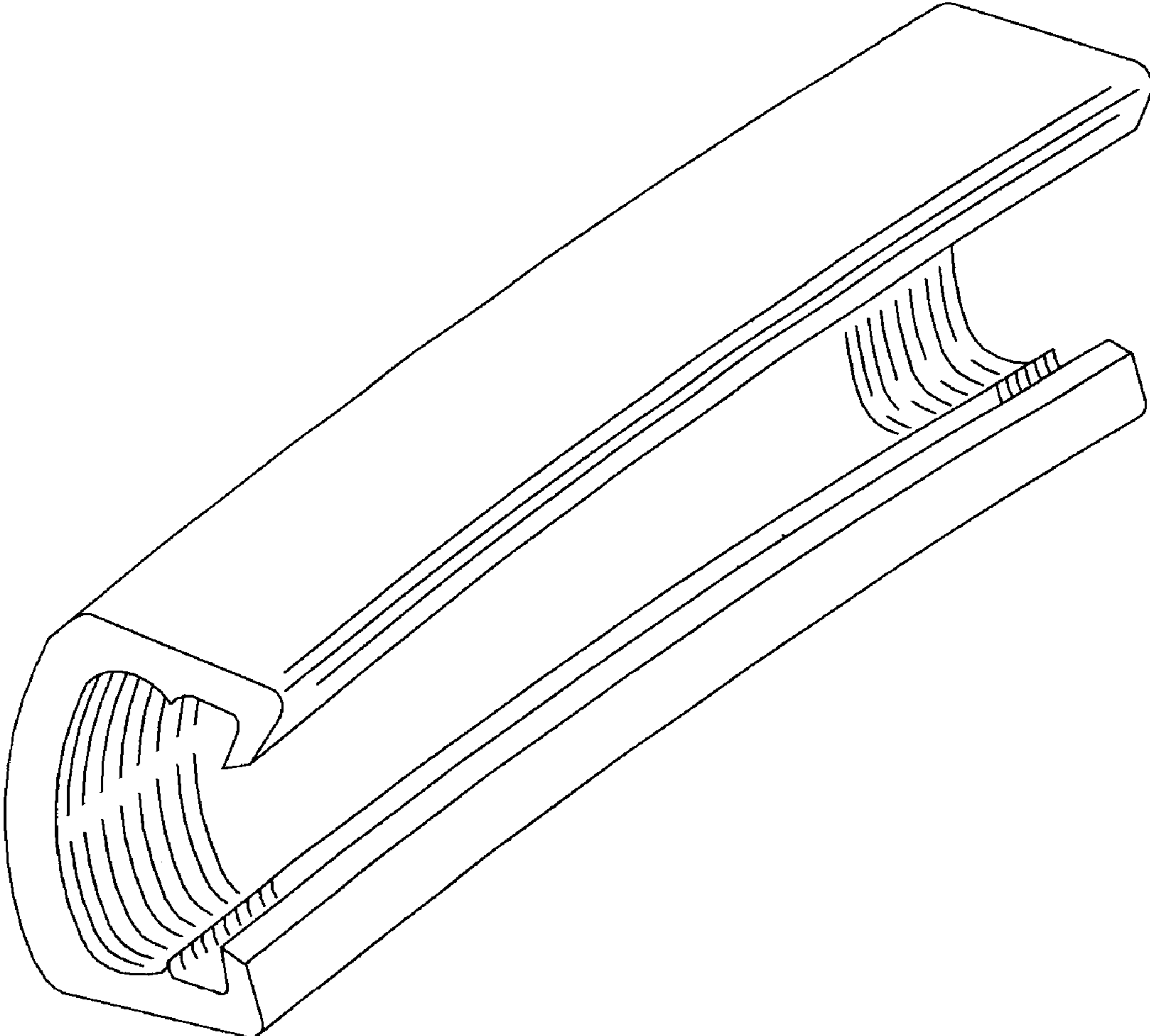


Fig. 1

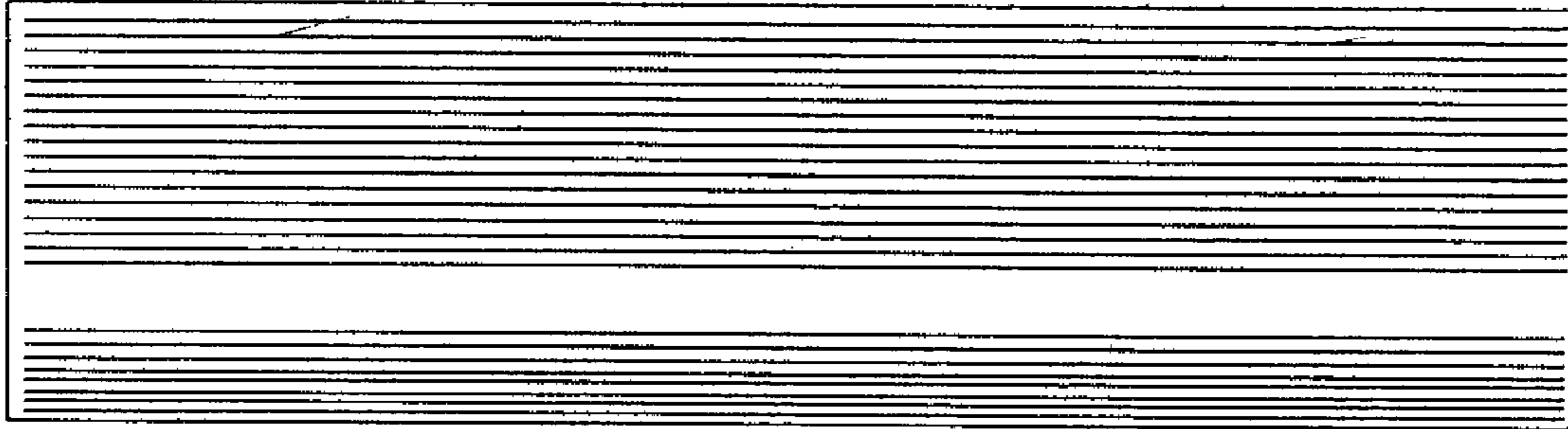


Fig. 2

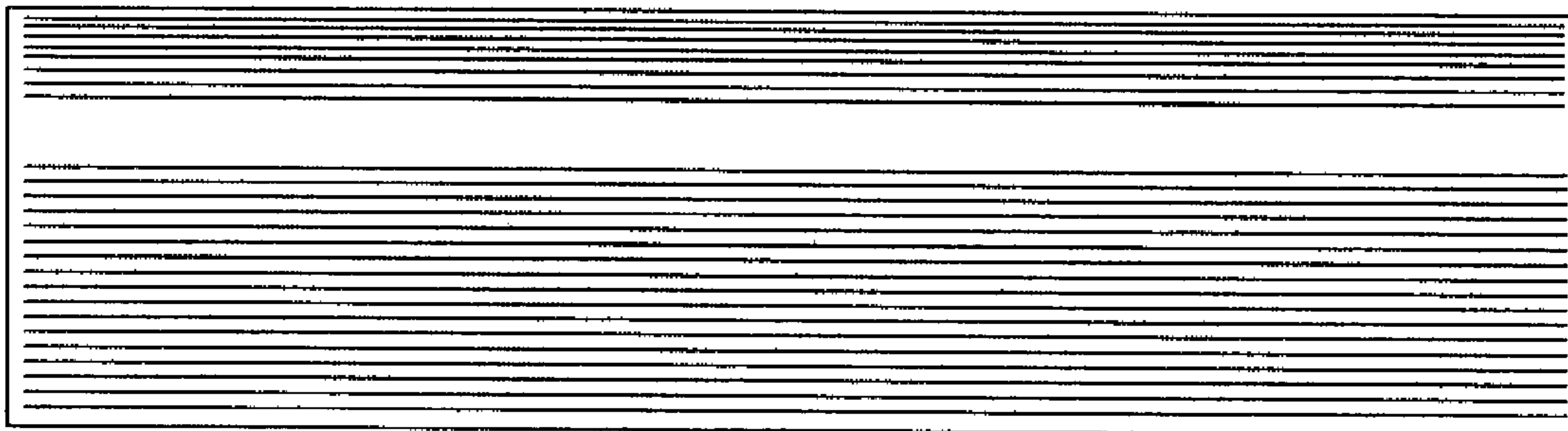


Fig. 3

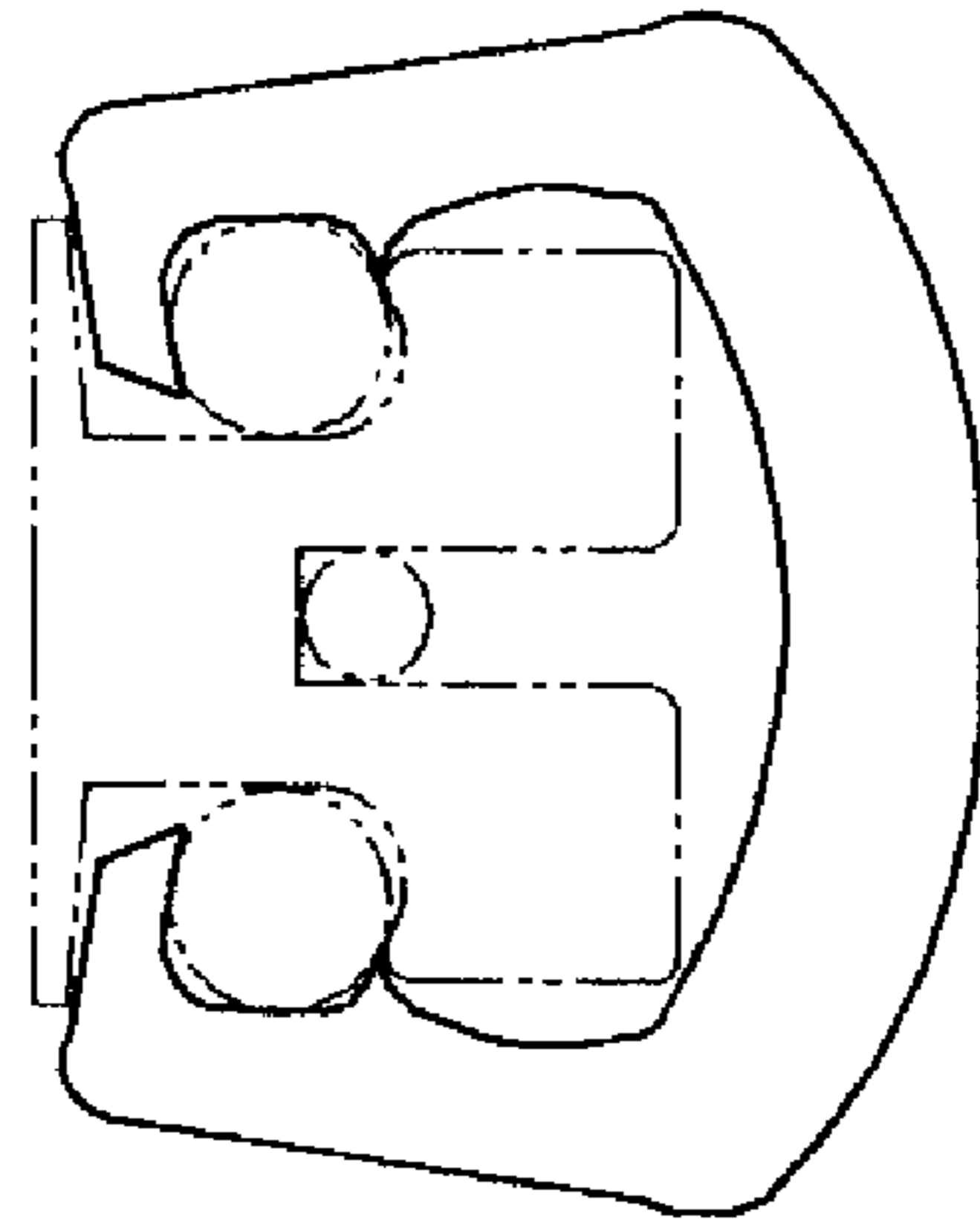


Fig. 4

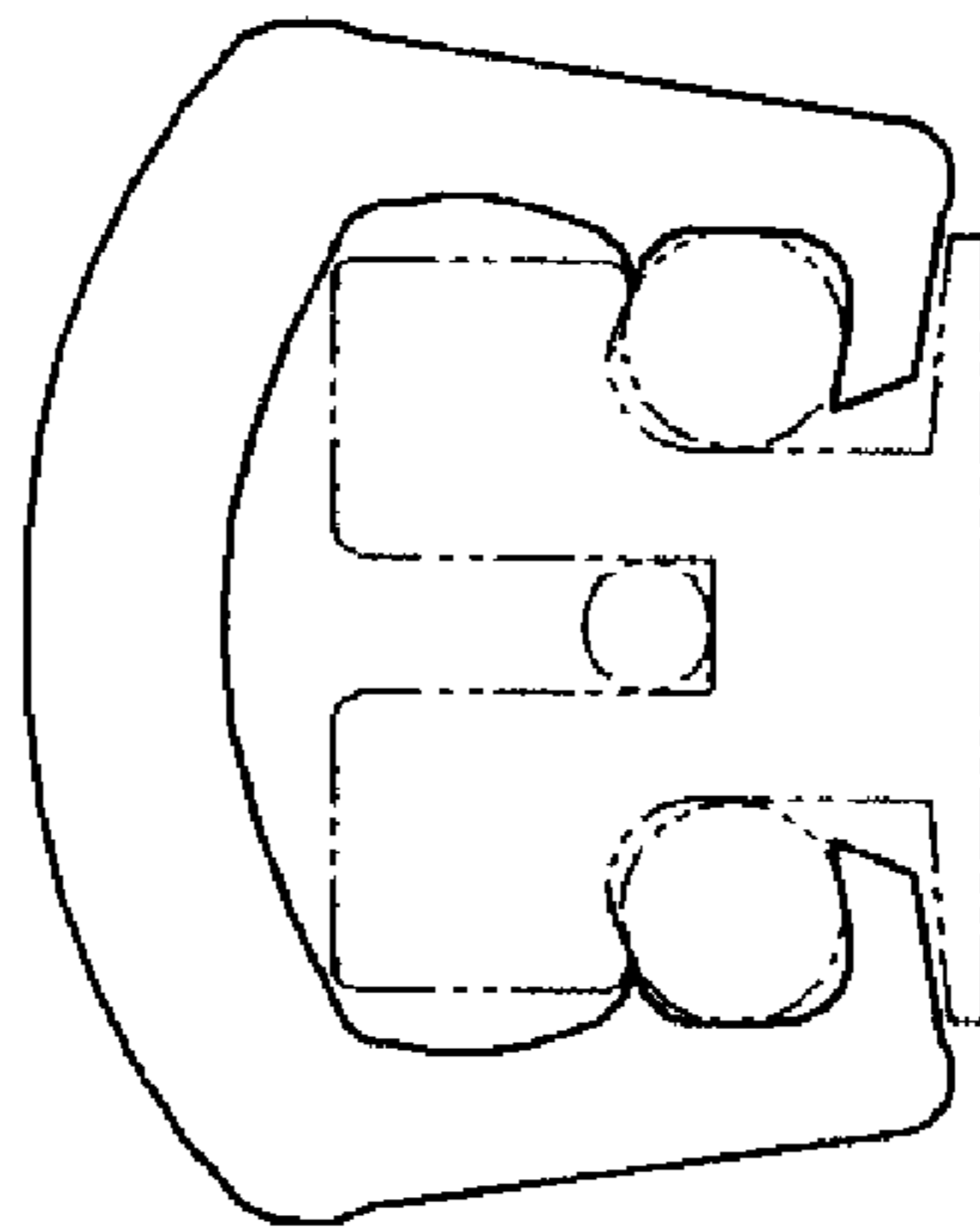


Fig. 5

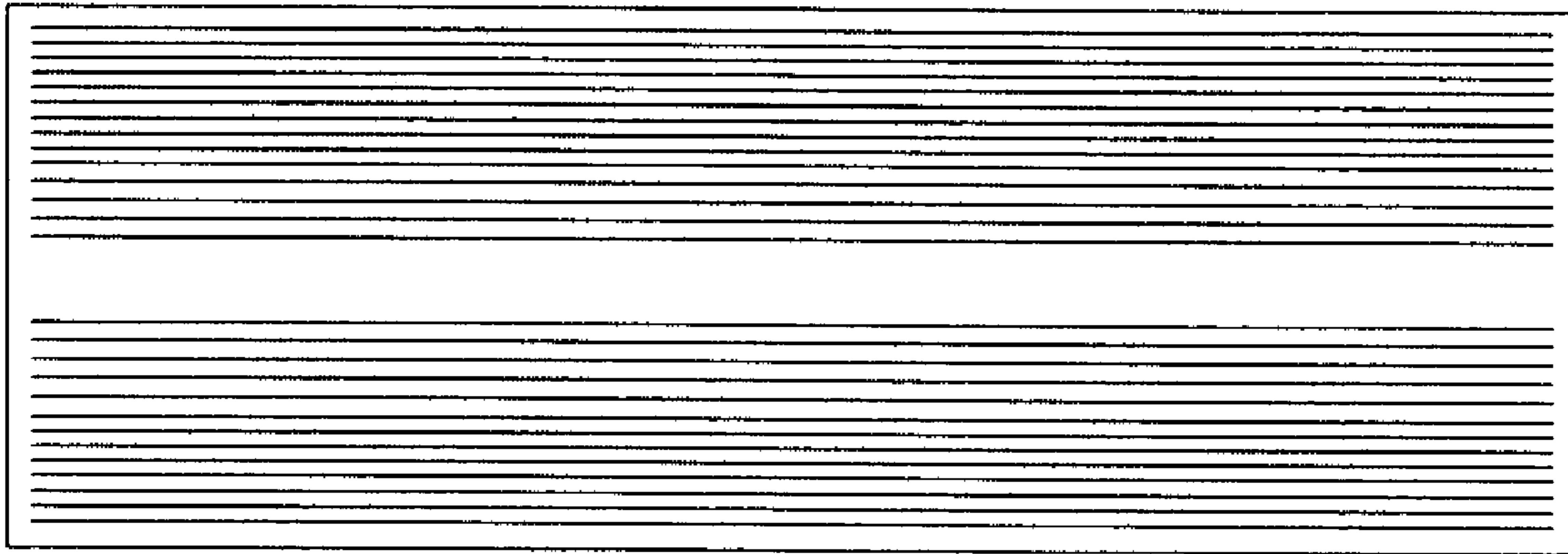


Fig. 6

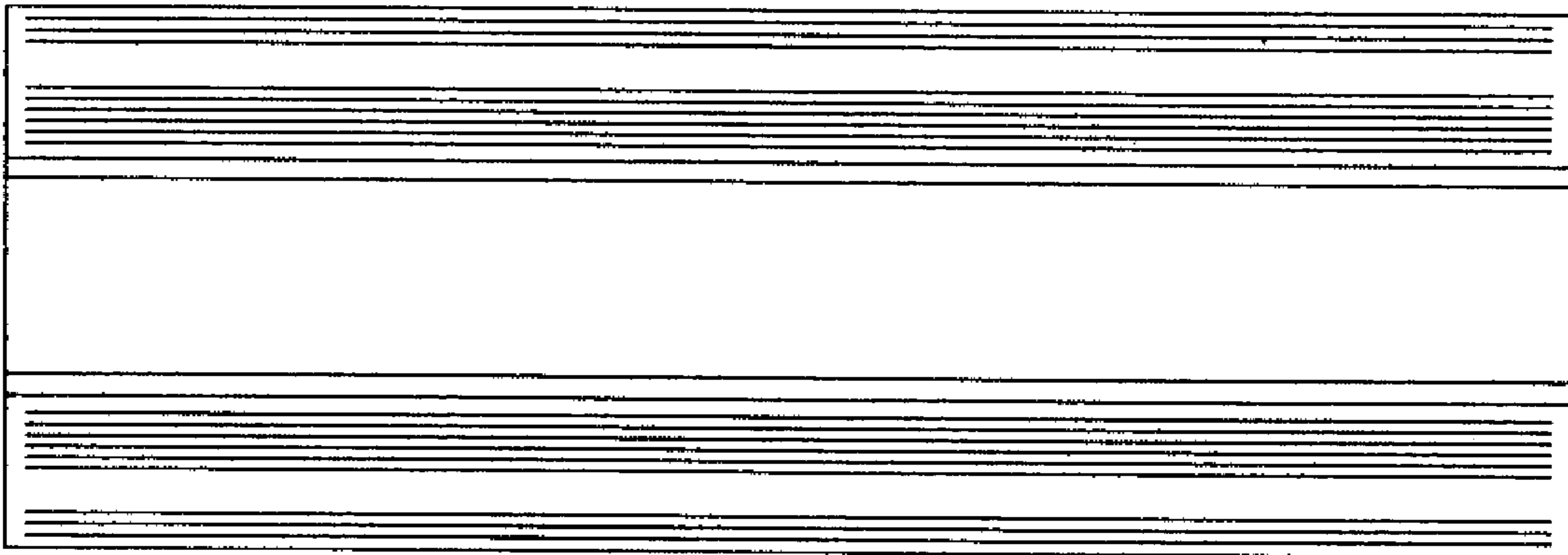


Fig. 7