



US00D510433S

(12) **United States Design Patent**
Kling et al.

(10) **Patent No.: US D510,433 S**

(45) **Date of Patent: ** Oct. 4, 2005**

(54) **DENTAL CENTER**

(75) Inventors: **Bjorn Kling**, Frankfurt am Main (DE);
Peter Hartwein, Kronberg (DE)

(73) Assignee: **Braun GmbH**, Kriemhild (DE)

(**) Term: **14 Years**

(21) Appl. No.: **29/187,548**

(22) Filed: **Aug. 1, 2003**

(30) **Foreign Application Priority Data**

Feb. 3, 2003 (WO) DM/063 454

(51) **LOC (8) Cl.** **24-02**

(52) **U.S. Cl.** **D24/111; D24/176**

(58) **Field of Search** D24/111, 176,
D24/133; D4/116; 601/162, 163, 165; 433/89,
80, 81, 88, 84

(56) **References Cited**

U.S. PATENT DOCUMENTS

4,862,876 A * 9/1989 Lih-Sheng 601/162
D318,918 S * 8/1991 Hartwein D24/111

D369,656 S * 5/1996 Vos D24/111
D437,049 S * 1/2001 Hartwein D24/111
D484,971 S * 1/2004 Hartwein D24/111

* cited by examiner

Primary Examiner—Ian Simmons

(74) *Attorney, Agent, or Firm*—Fish & Richardson P.C.

(57) **CLAIM**

The ornamental design for a dental center, as shown and described.

DESCRIPTION

FIG. 1 is a perspective view of a dental center from above, showing our design;

FIG. 2 is a front view thereof;

FIG. 3 is a right side view thereof;

FIG. 4 is a left side view thereof;

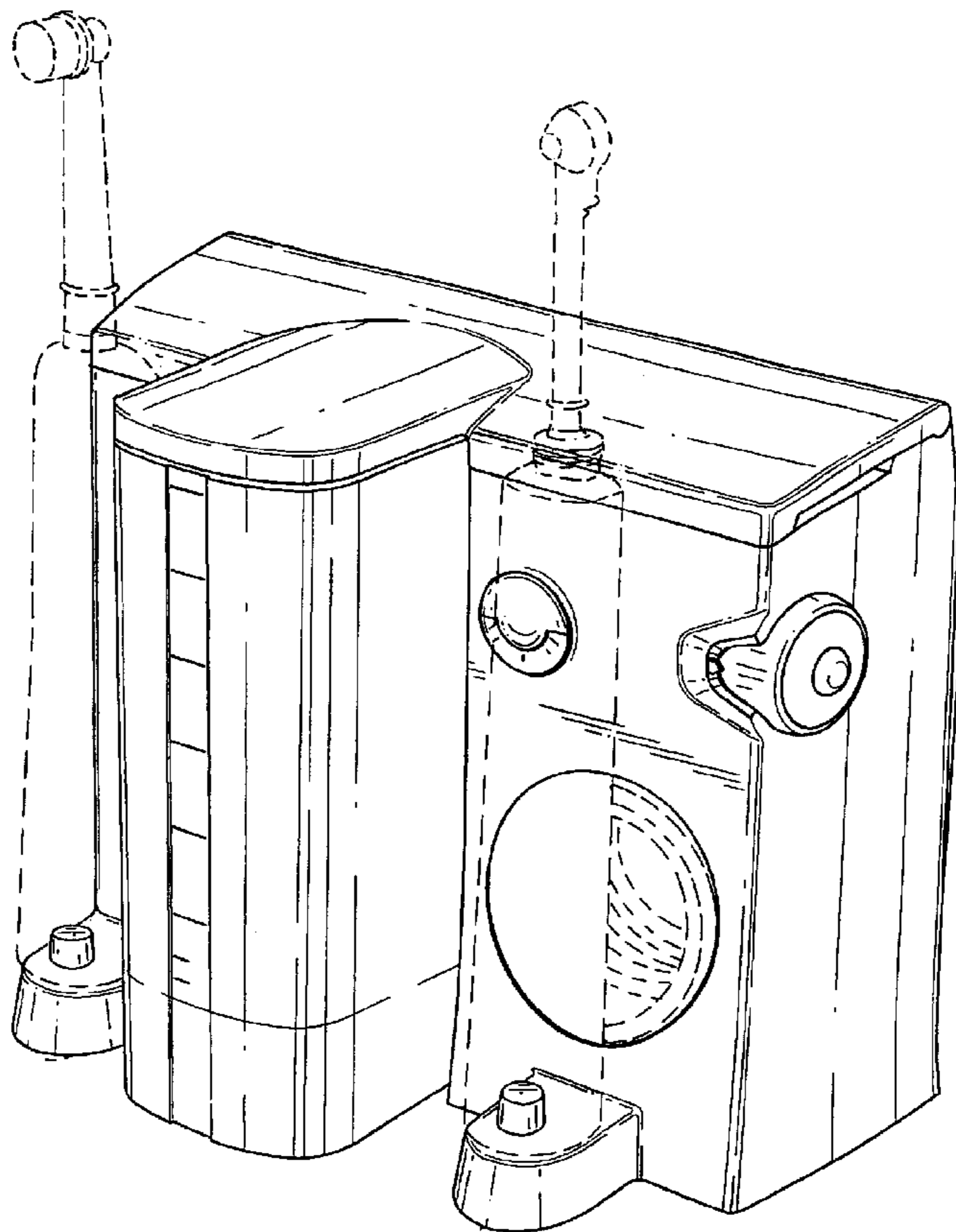
FIG. 5 is a rear side view thereof;

FIG. 6 is a top plan view thereof; and,

FIG. 7 is a bottom plan view thereof.

The broken line showing is for illustrative purposes only and forms no part of the claimed design.

1 Claim, 6 Drawing Sheets



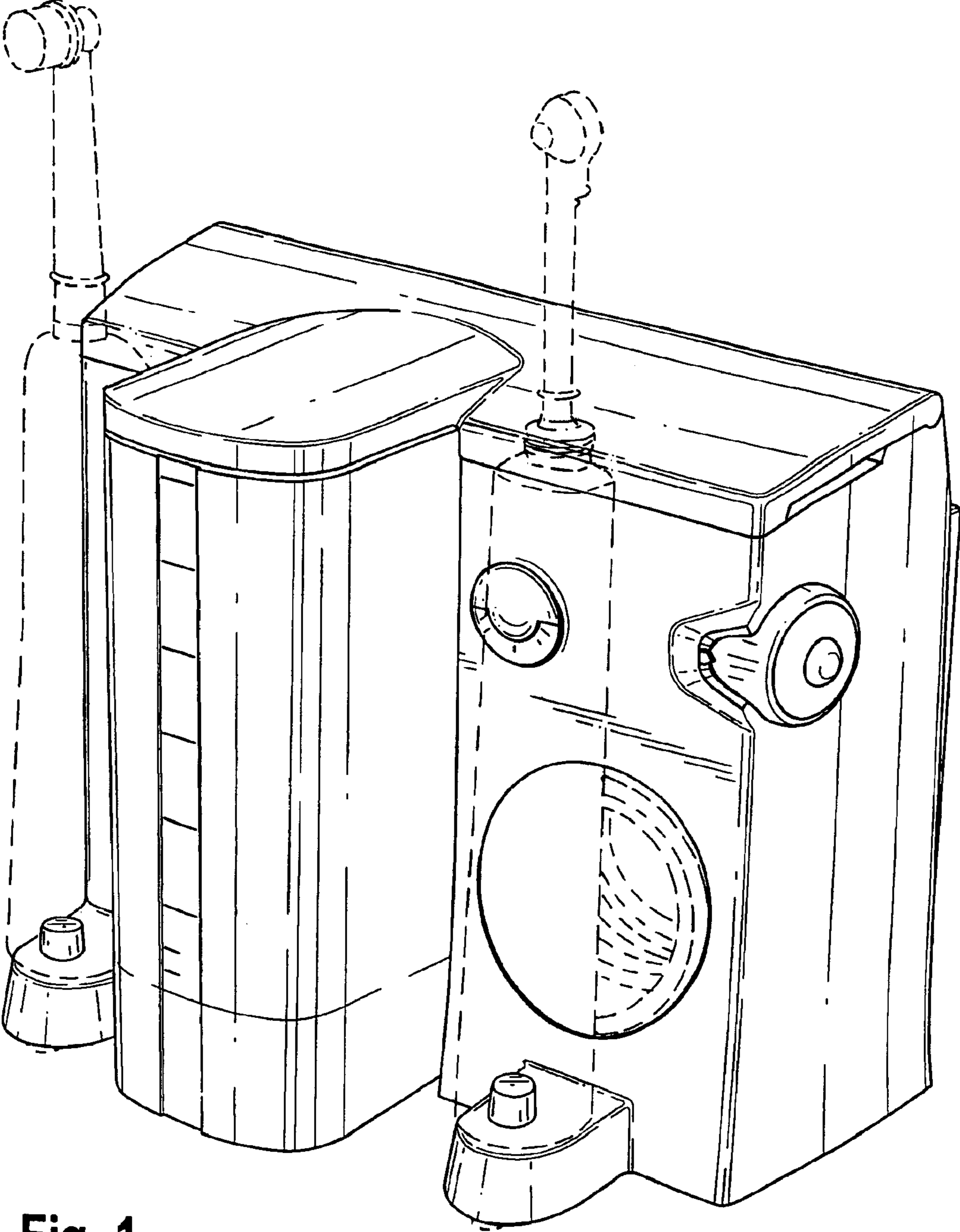


Fig. 1

Fig. 2

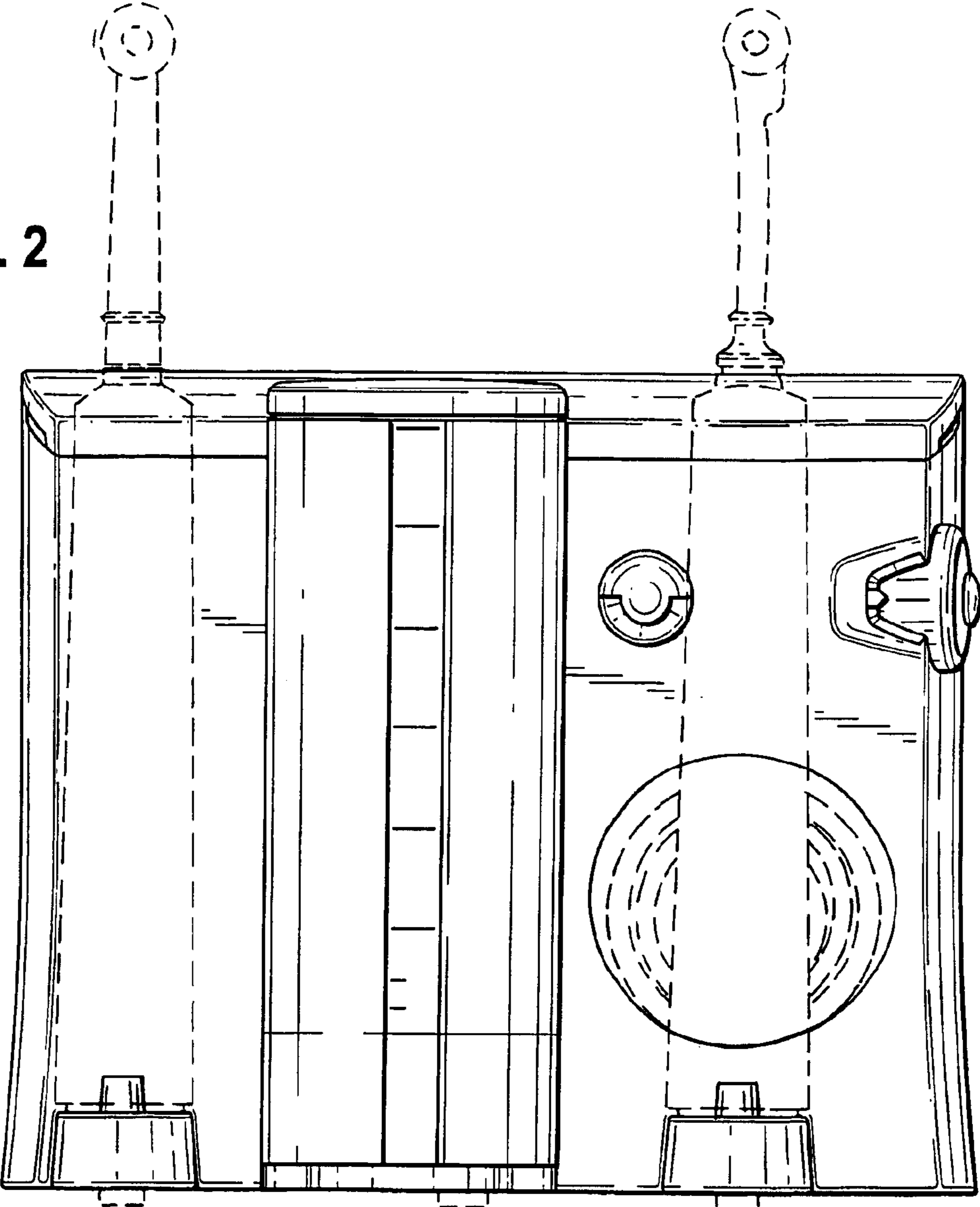


Fig. 3

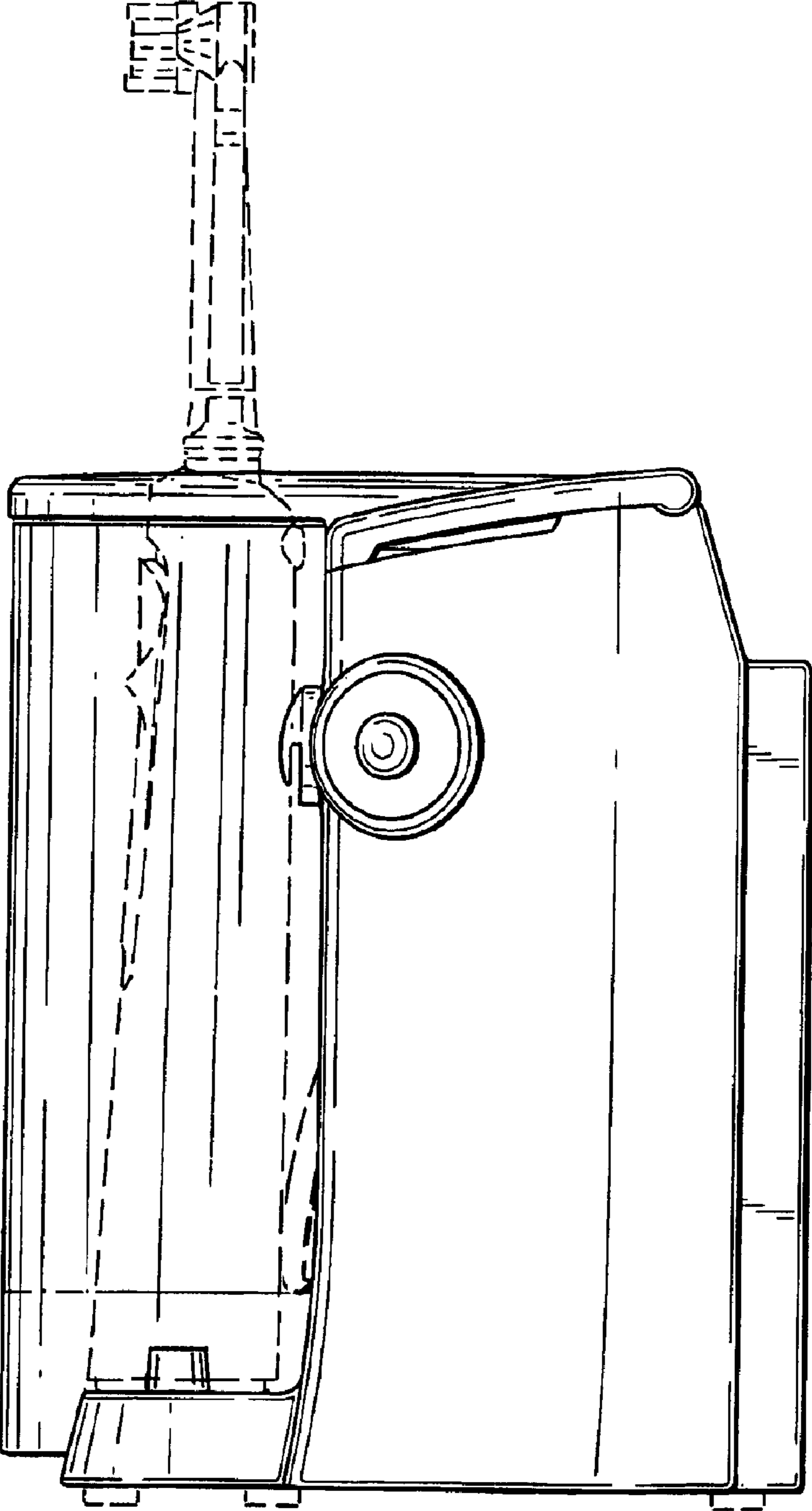
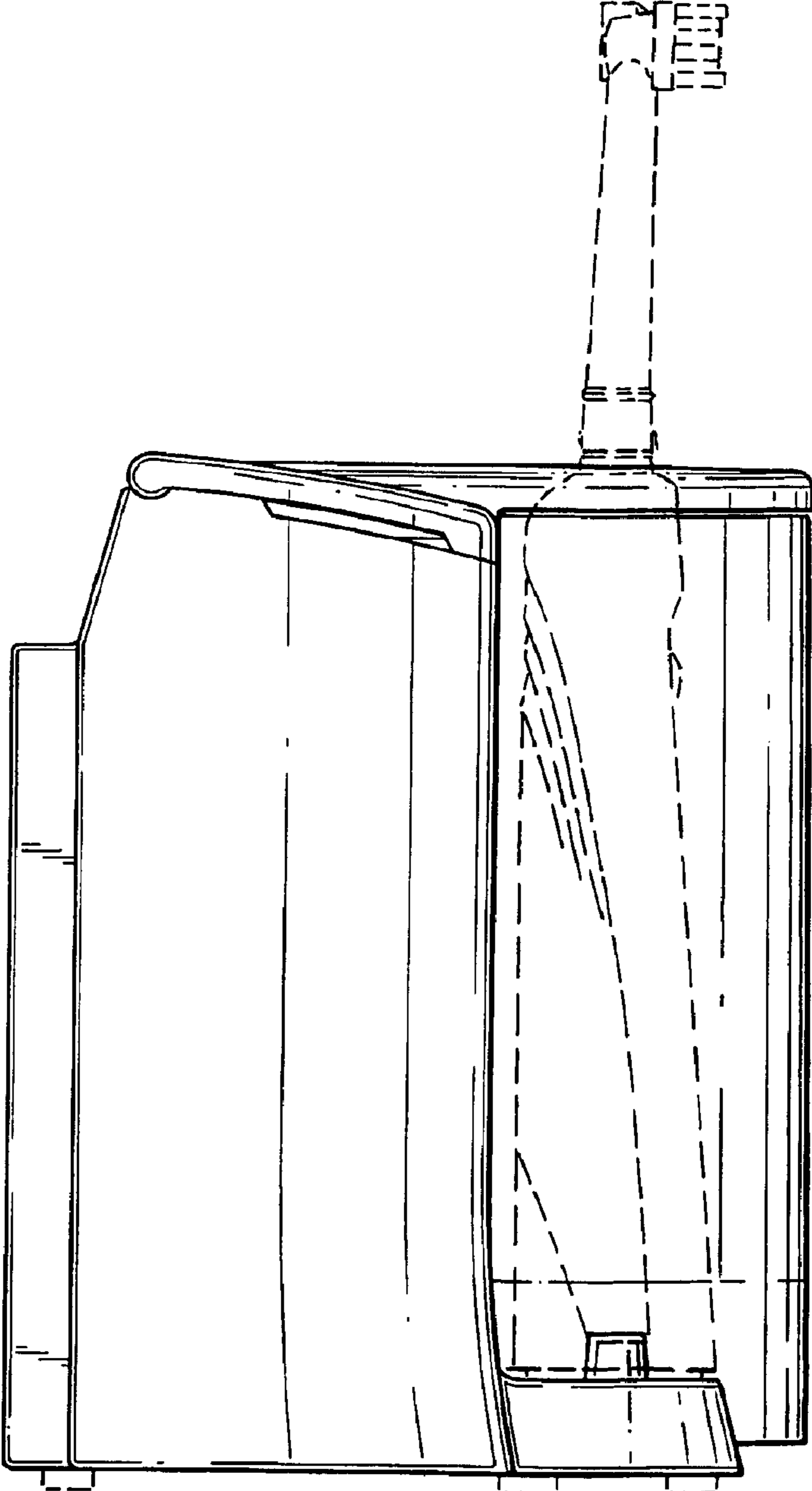


Fig. 4



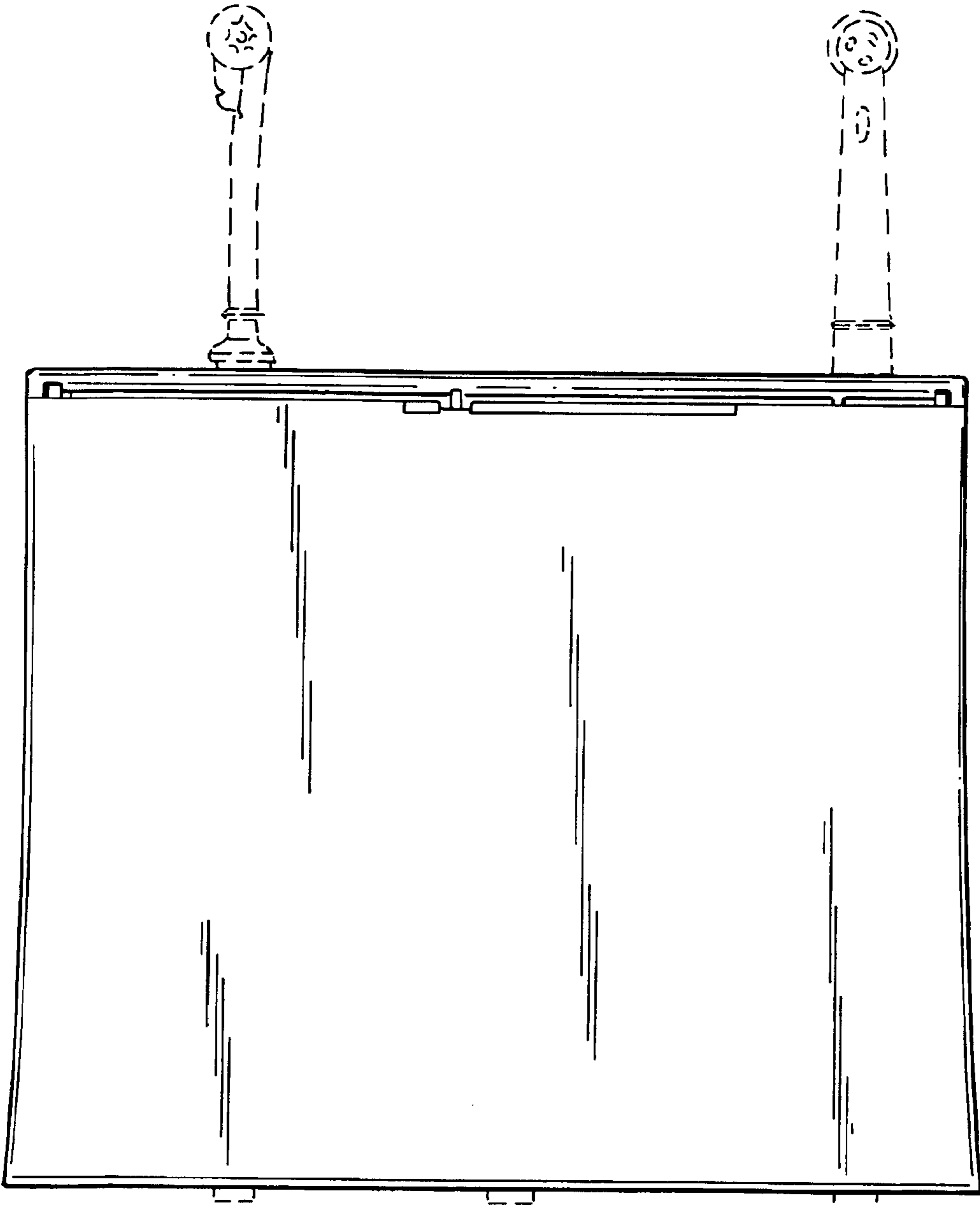


Fig. 5

Fig. 6

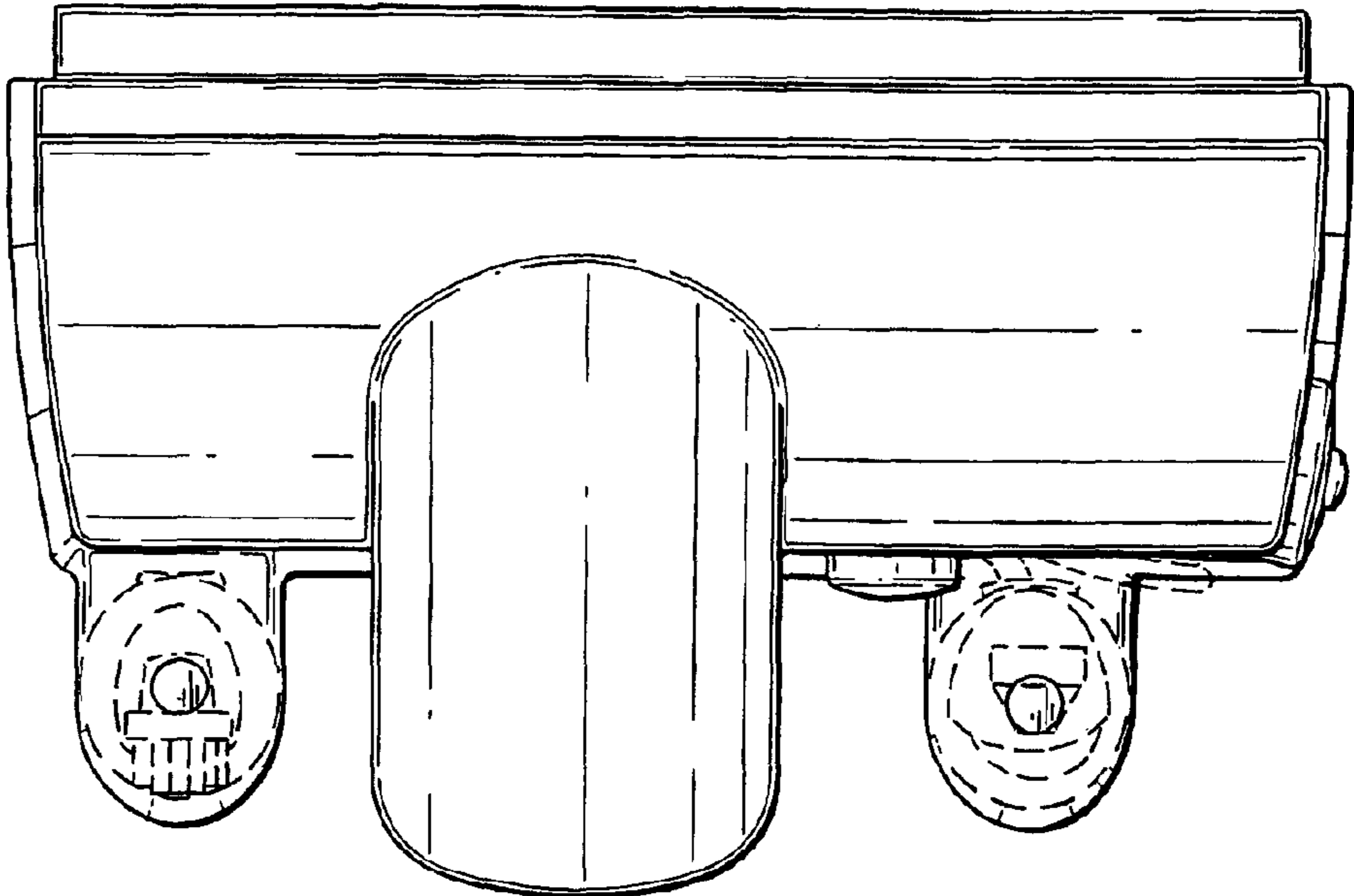


Fig. 7

