



US00D510431S

(12) **United States Design Patent**  
**Pickett**

(10) **Patent No.:** **US D510,431 S**

(45) **Date of Patent:** **\*\* Oct. 4, 2005**

(54) **CEILING FAN HOUSING**

(76) **Inventor:** **Mark Pickett**, 1419 E. Palm St.,  
Altadena, CA (US) 85308

(\*\*) **Term:** **14 Years**

(21) **Appl. No.:** **29/192,615**

(22) **Filed:** **Oct. 27, 2003**

(51) **LOC (8) Cl.** ..... **23-04**

(52) **U.S. Cl.** ..... **D23/411**

(58) **Field of Search** ..... D23/411, 377,  
D23/379, 385; 416/5; 392/364

(56) **References Cited**

**U.S. PATENT DOCUMENTS**

- D452,307 S \* 12/2001 Dolan ..... D23/411
- D452,309 S \* 12/2001 Dolan ..... D23/411
- D457,235 S \* 5/2002 Hidalgo ..... D23/411

\* cited by examiner

*Primary Examiner*—Lisa Lichtenstein

(74) *Attorney, Agent, or Firm*—Parsons & Goltry; Michael  
W. Goltry; Robert A. Parsons

(57) **CLAIM**

The ornamental design for a ceiling fan housing, as shown  
and described.

**DESCRIPTION**

FIG. 1 is a bottom perspective view of a ceiling fan housing  
showing my new design;

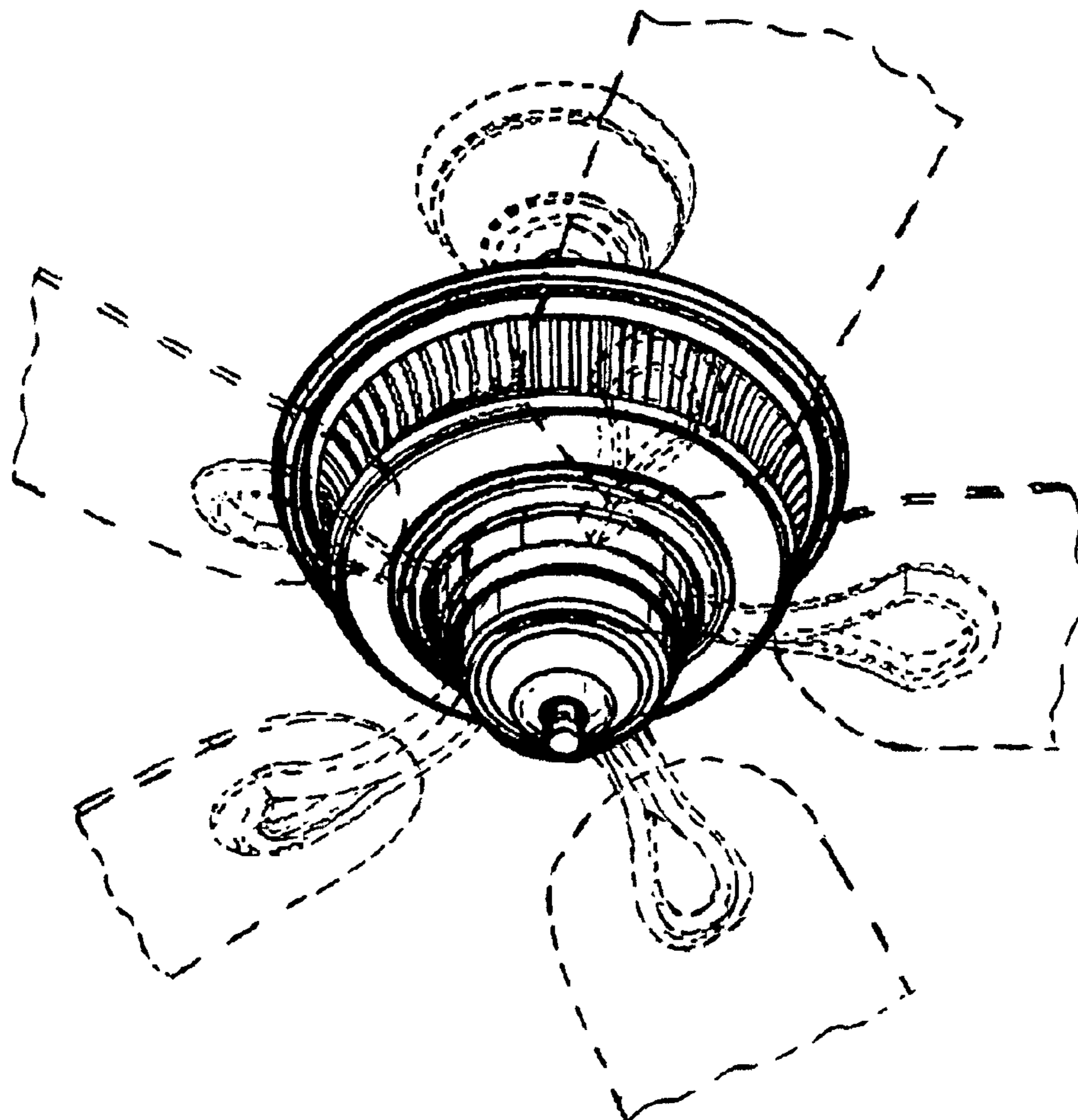
FIG. 2 is a top perspective view thereof;

FIG. 3 is a front elevational view thereof, the rear elevational  
view, the left side elevational view, and the right side  
elevational view being substantially the same thereof;

FIG. 4 is a top plan view thereof; and,

FIG. 5 is a bottom plan view thereof.

**1 Claim, 4 Drawing Sheets**



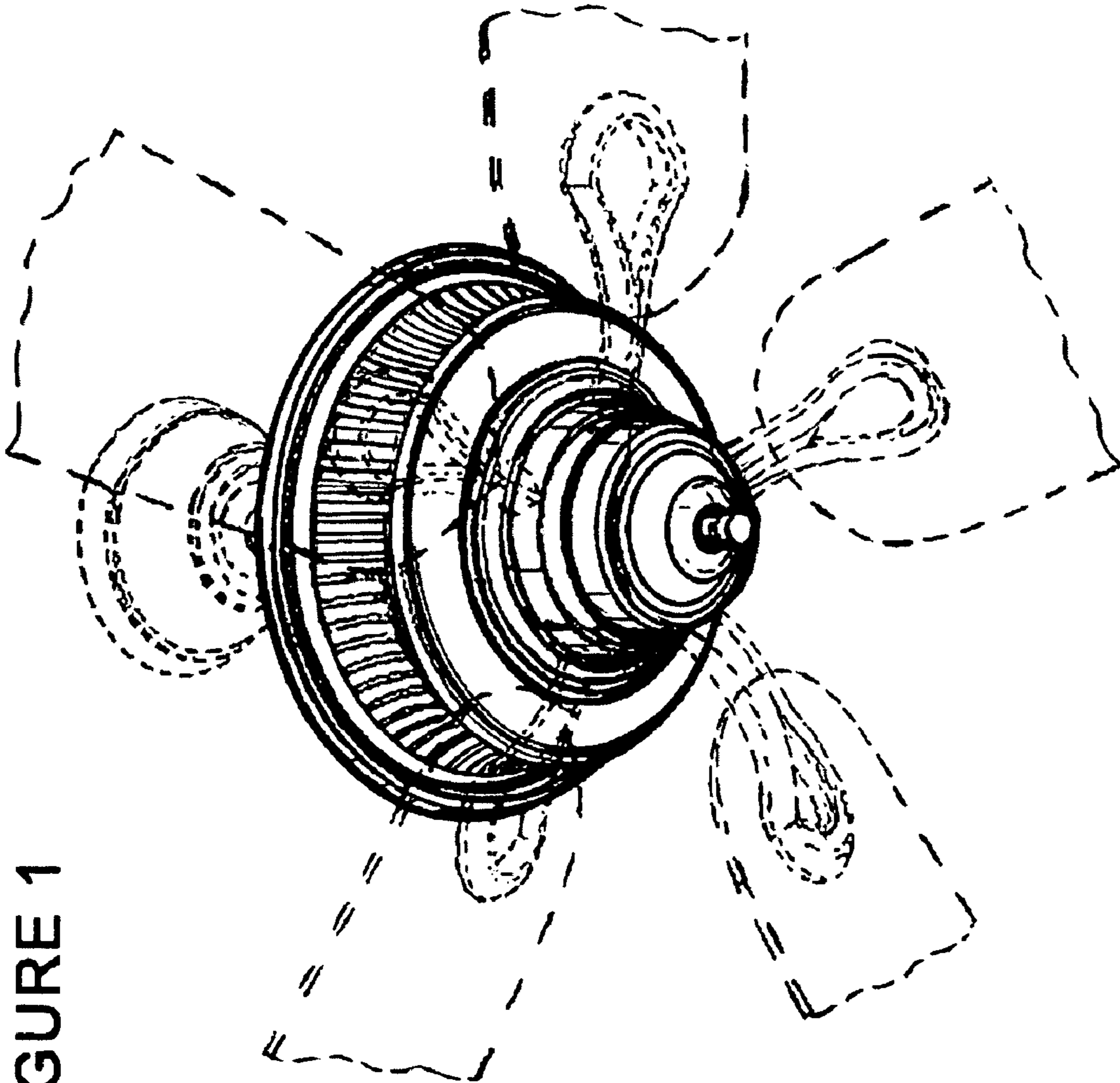


FIGURE 1

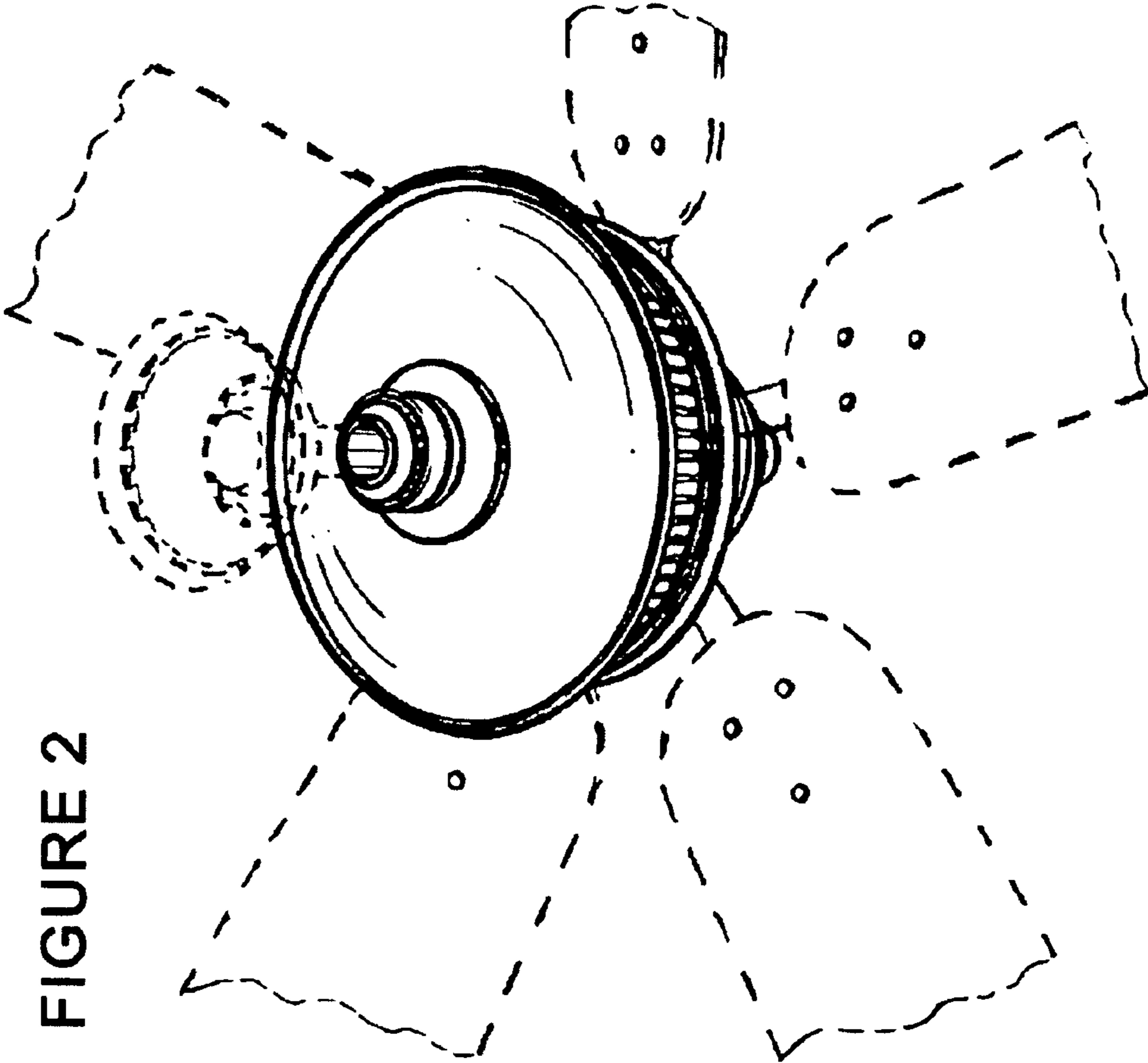


FIGURE 2

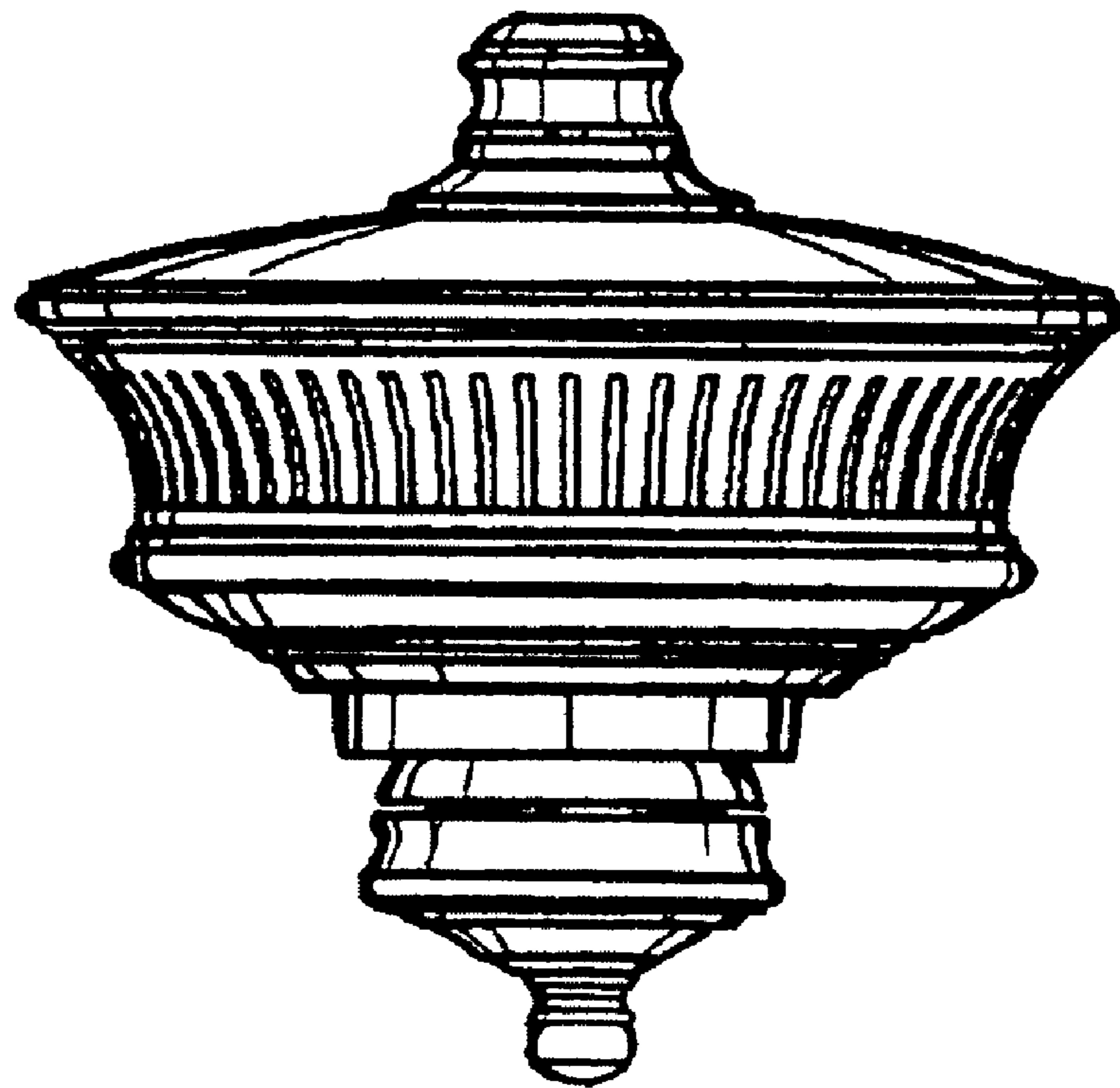


FIGURE 3

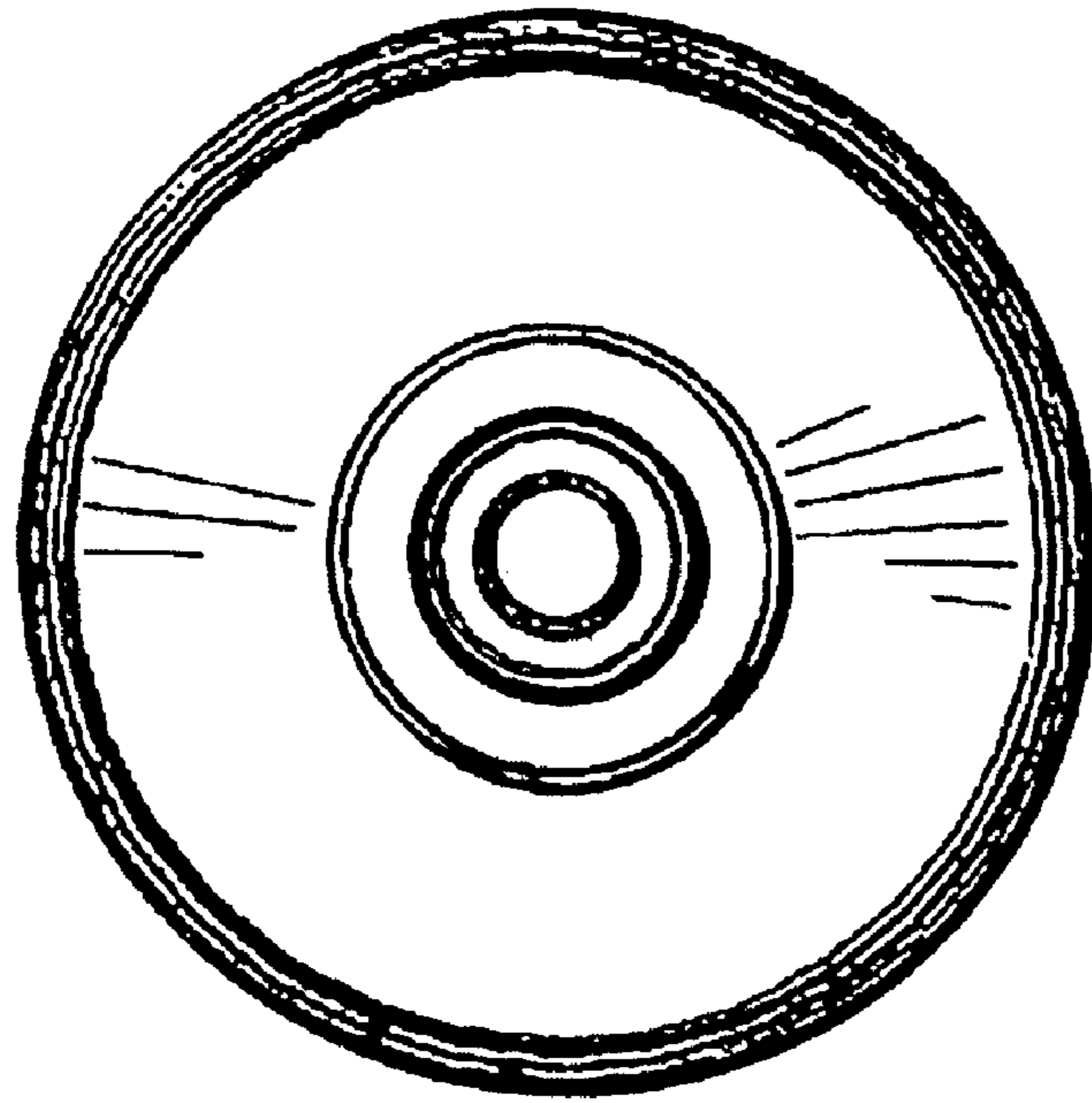


FIGURE 4

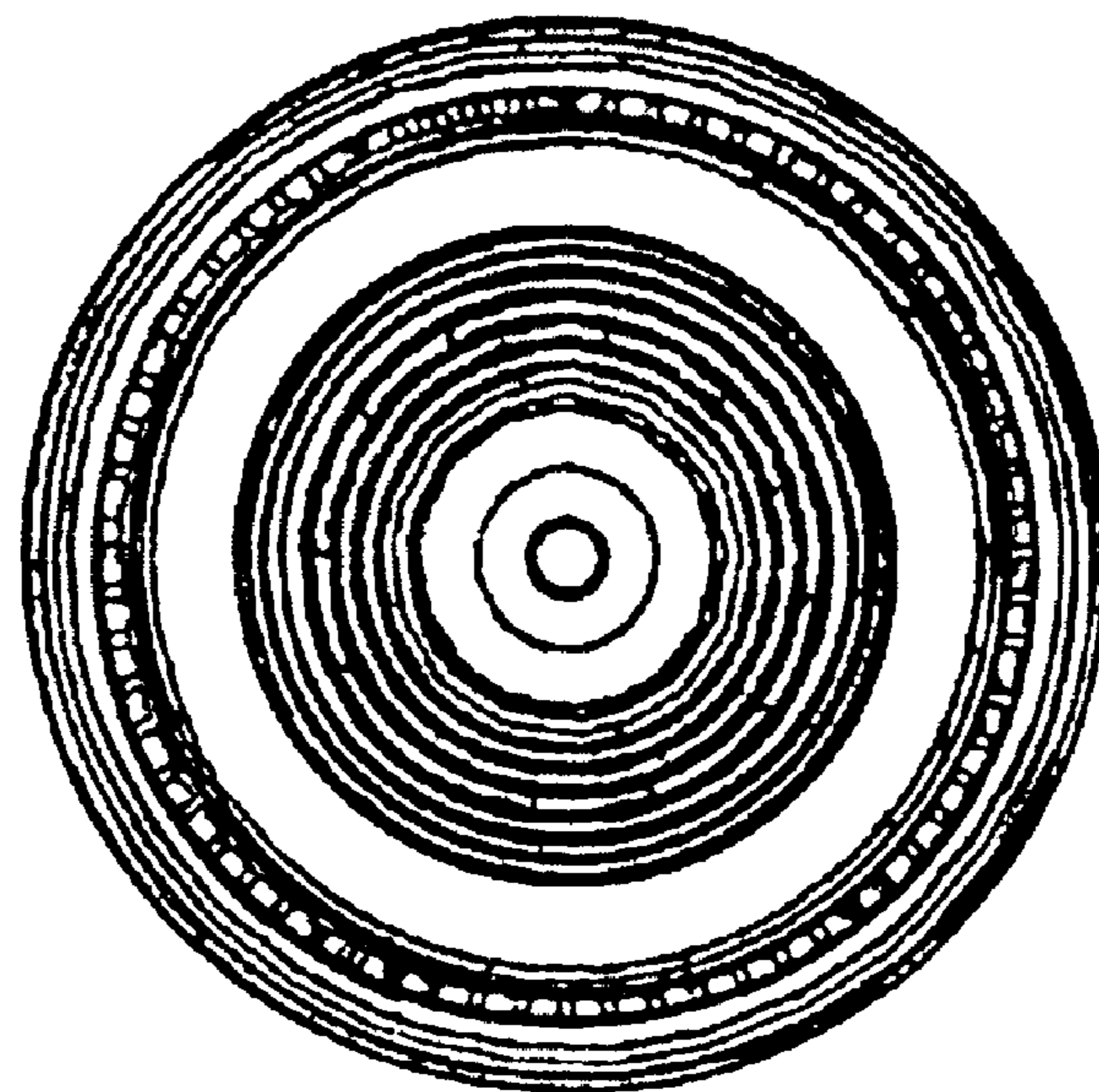


FIGURE 5