



US00D510428S

(12) **United States Design Patent**
Hidalgo

(10) **Patent No.:** **US D510,428 S**
(45) **Date of Patent:** **** Oct. 4, 2005**

(54) **CEILING FAN**

(75) Inventor: **Rolando Hidalgo**, Orange, CA (US)

(73) Assignee: **Minka Lighting, Inc.**, Corona, CA (US)

(**) Term: **14 Years**

(21) Appl. No.: **29/185,967**

(22) Filed: **Jul. 7, 2003**

(51) **LOC (8) Cl.** **23-04**

(52) **U.S. Cl.** **D23/411**

(58) **Field of Search** D23/411, 377,
D23/379, 385; 416/5

(56) **References Cited**

U.S. PATENT DOCUMENTS

D420,125 S	*	2/2000	Johnson	D23/411
D477,069 S	*	7/2003	Johnson	D23/411
D481,450 S	*	10/2003	Young	D23/377

OTHER PUBLICATIONS

U.S. Appl. No. 29/185,965, filed Jul. 7, 2003, Rolando Hidalgo.

U.S. Appl. No. 29/185,966, filed Jul. 7, 2003, Rolando Hidalgo.

U.S. Appl. No. 29/185,943, filed Jul. 7, 2003, Rolando Hidalgo.

* cited by examiner

Primary Examiner—Lisa Lichtenstein

(74) *Attorney, Agent, or Firm*—Jenkins & Gilchrist, P.C.

(57) **CLAIM**

The ornamental design for the ceiling fan, as shown and described.

DESCRIPTION

FIG. 1 is a perspective view from below of a ceiling fan in accordance with my design.

FIG. 2 is a bottom plan view of the ceiling fan in accordance with my design.

FIG. 3 is a top plan view of the ceiling fan in accordance with my design.

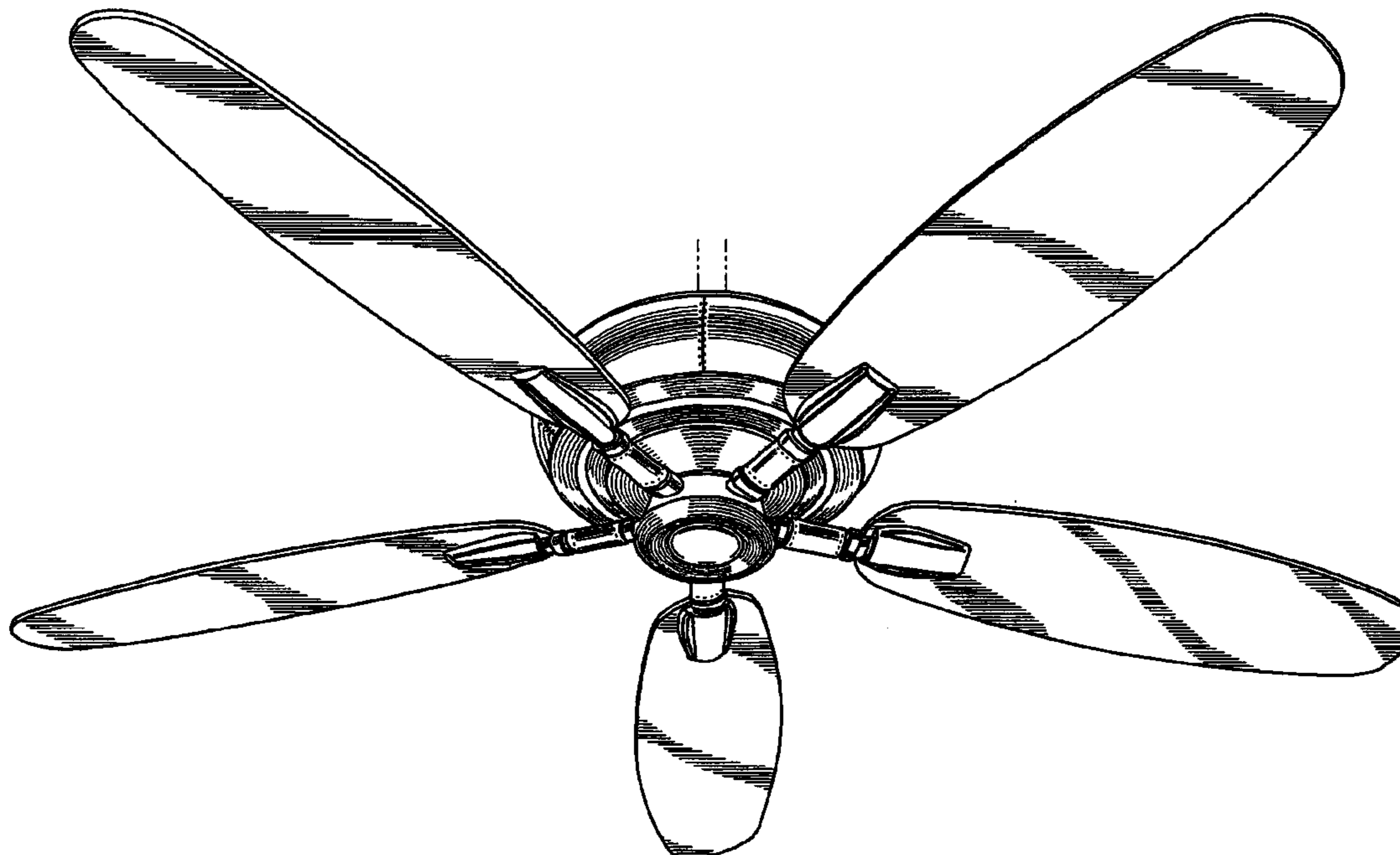
FIG. 4 is a rear elevation view of the ceiling fan in accordance with my design; and,

FIG. 5 is a side elevation view of the ceiling fan in accordance with my design.

The rear and side elevation views are identical except for the position of the blades.

The broken lines showing environmental structure are for illustrative purposes and form no part of the claimed design.

1 Claim, 4 Drawing Sheets



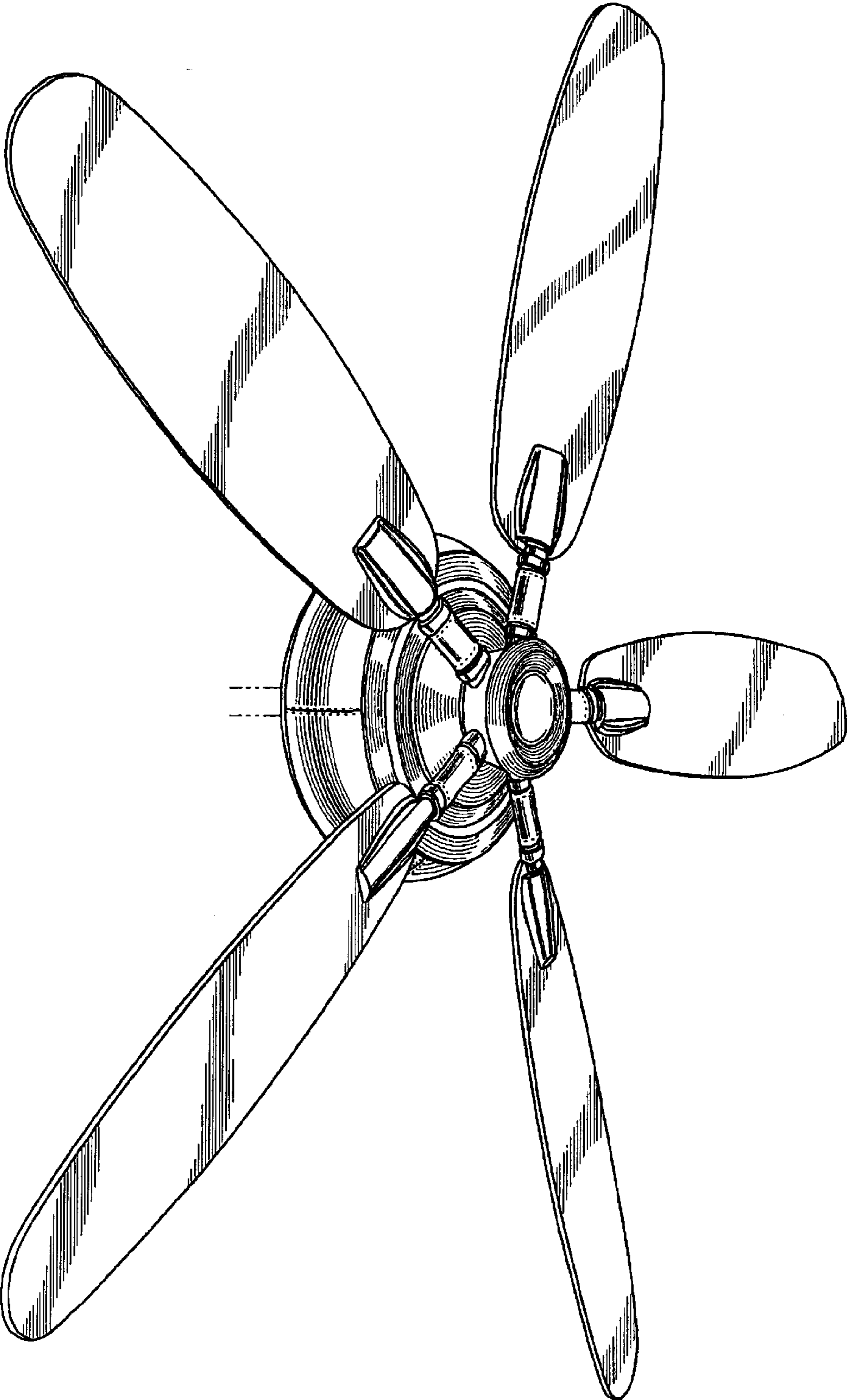


Fig. 1

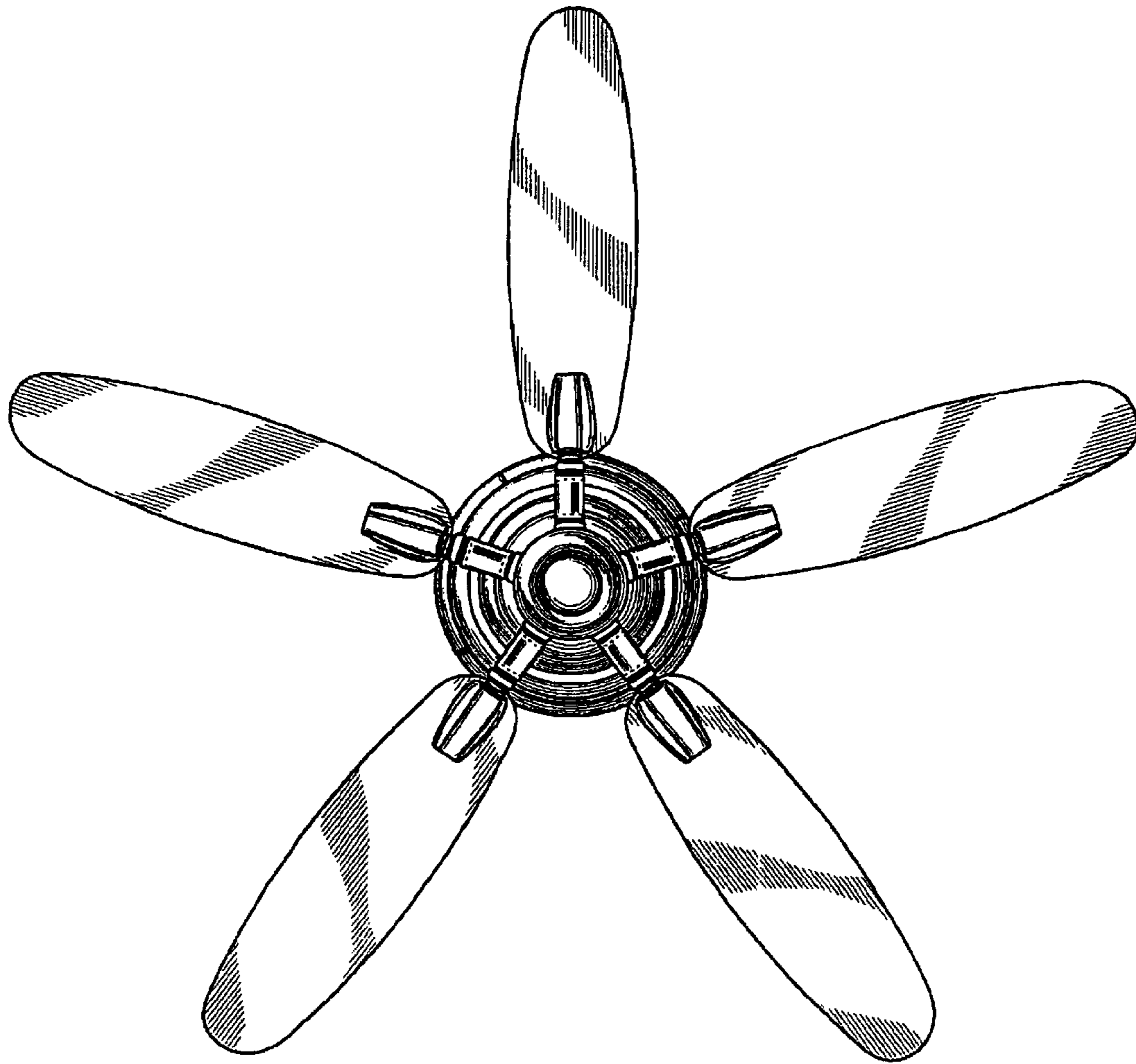


Fig.2

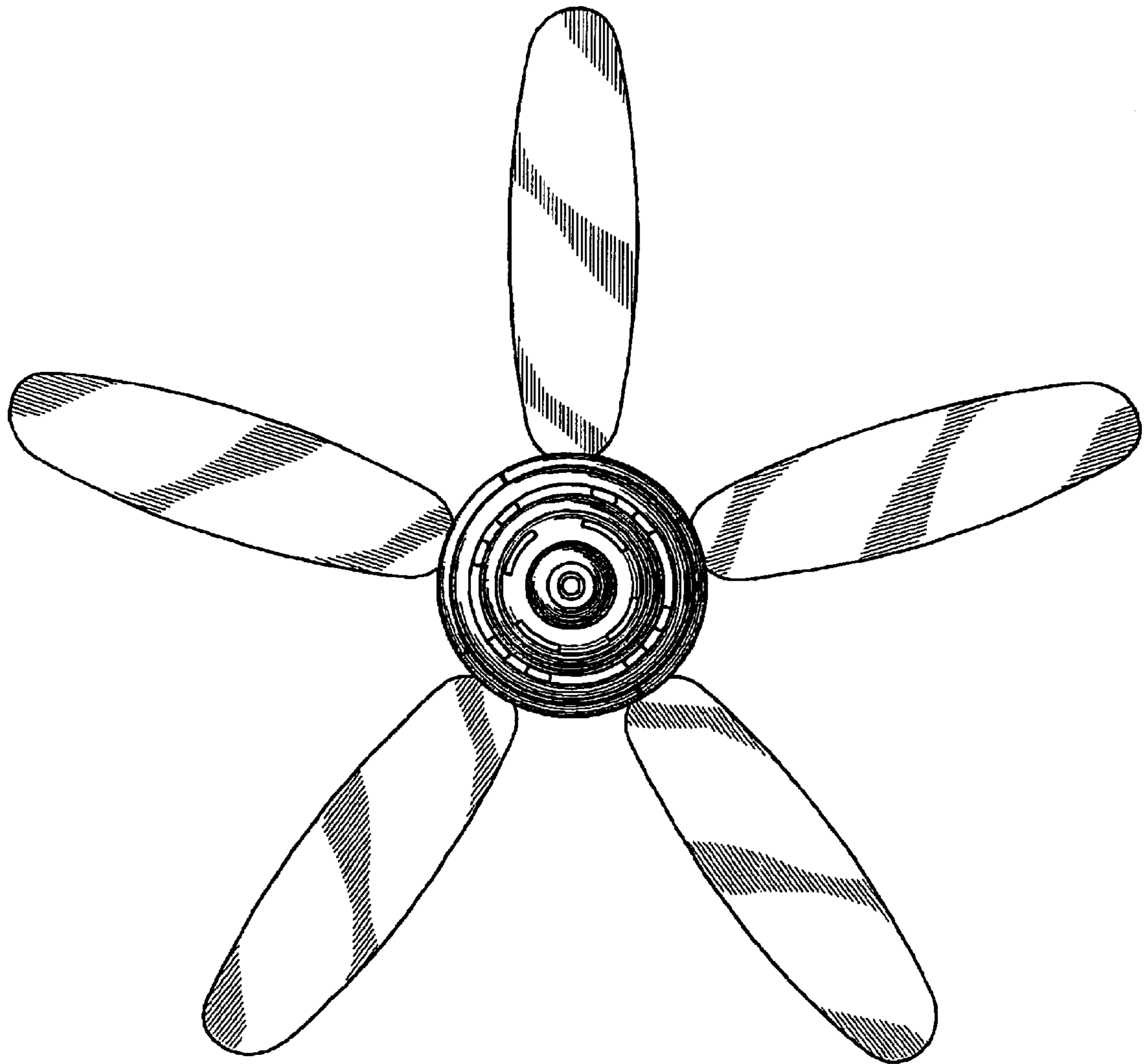


Fig.3

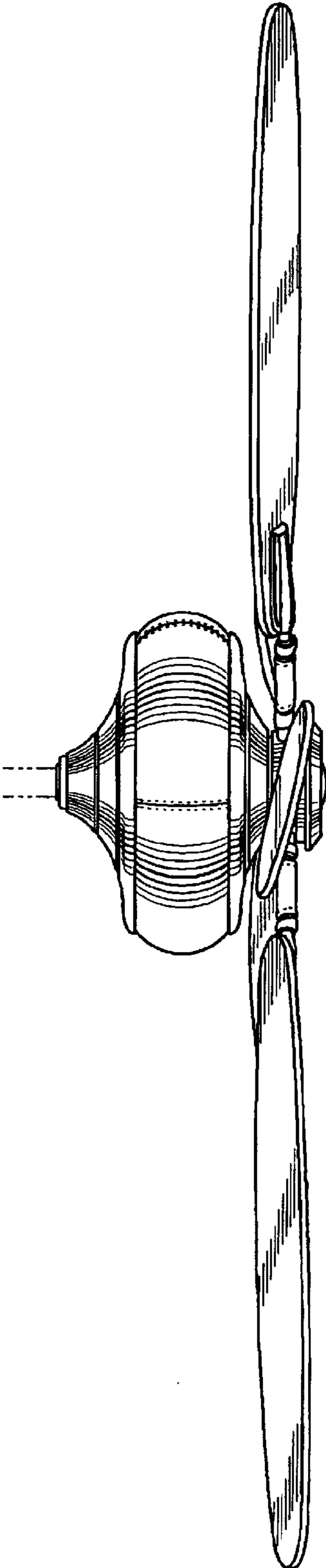


Fig. 4

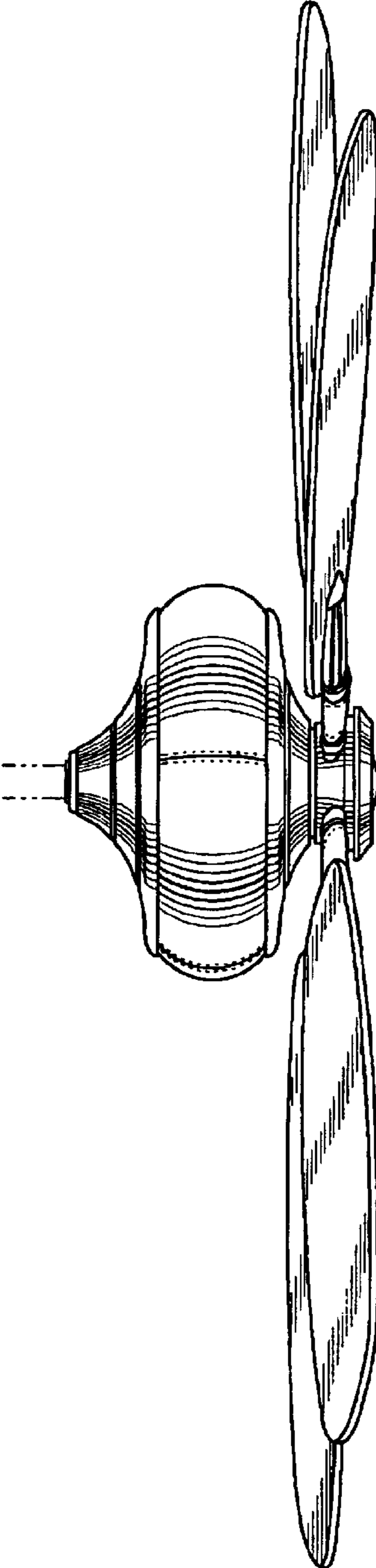


Fig. 5