



US00D510427S

(12) **United States Design Patent**
Hidalgo

(10) **Patent No.:** **US D510,427 S**

(45) **Date of Patent:** **** Oct. 4, 2005**

(54) **CEILING FAN BLADE IRON ASSEMBLY**

(75) Inventor: **Rolando Hidalgo**, Orange, CA (US)

(73) Assignee: **Minka Lighting, Inc.**, Corona, CA (US)

(**) Term: **14 Years**

(21) Appl. No.: **29/185,966**

(22) Filed: **Jul. 7, 2003**

(51) **LOC (8) Cl.** **23-04**

(52) **U.S. Cl.** **D23/411**

(58) **Field of Search** D23/411, 877,
D23/379, 385; 416/5

(56) **References Cited**

U.S. PATENT DOCUMENTS

D420,125 S * 2/2000 Johnson D23/411
D477,069 S * 7/2003 Johnson D23/411

OTHER PUBLICATIONS

U.S. Appl. No. 29/185,967, filed Jul. 7, 2003, Rolando Hidalgo.

U.S. Appl. No. 29/185,965, filed Jul. 7, 2003, Rolando Hidalgo.

U.S. Appl. No. 29/185,943, filed Jul. 7, 2003, Rolando Hidalgo.

* cited by examiner

Primary Examiner—Lisa Lichtenstein
(74) *Attorney, Agent, or Firm*—Jenkins & Gilchrist, P.C.

(57) **CLAIM**

The ornamental design for the ceiling fan blade iron assembly, as shown and described.

DESCRIPTION

FIG. 1 is a perspective view from below of a ceiling fan blade iron assembly in accordance with my design, shown in its environment.

FIG. 2 is a bottom plan view of the ceiling fan blade iron assembly in accordance with my design, shown in its environment.

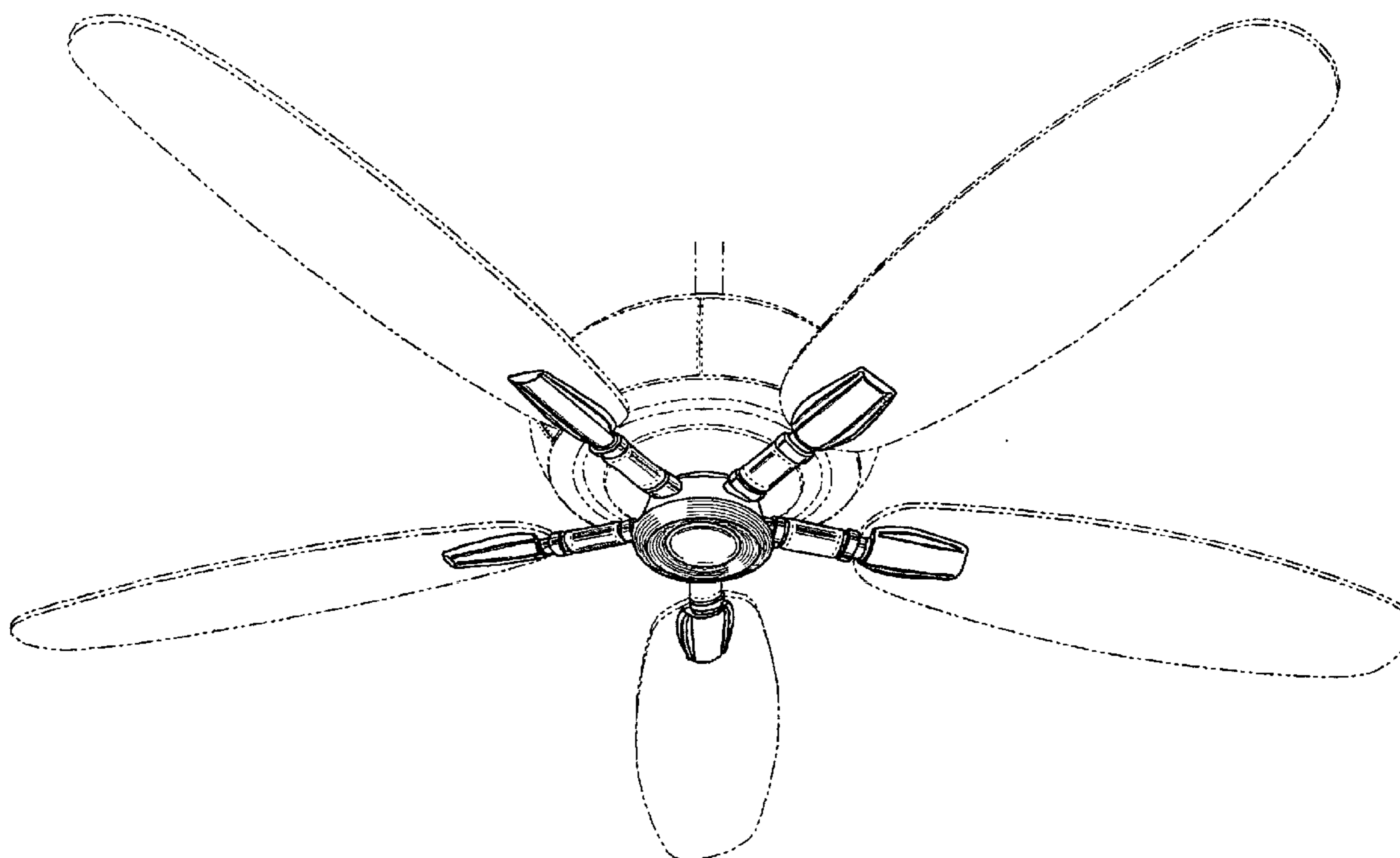
FIG. 3 is a rear elevation view of the ceiling fan blade iron assembly in accordance with my design, shown in its environment; and,

FIG. 4 is a side elevation view of the ceiling fan blade iron assembly in accordance with my design, shown in its environment.

The rear and side elevation views are identical except for the position of the blades.

The broken lines showing environmental structure are for illustrative purposes and form no part of the claimed design.

1 Claim, 3 Drawing Sheets



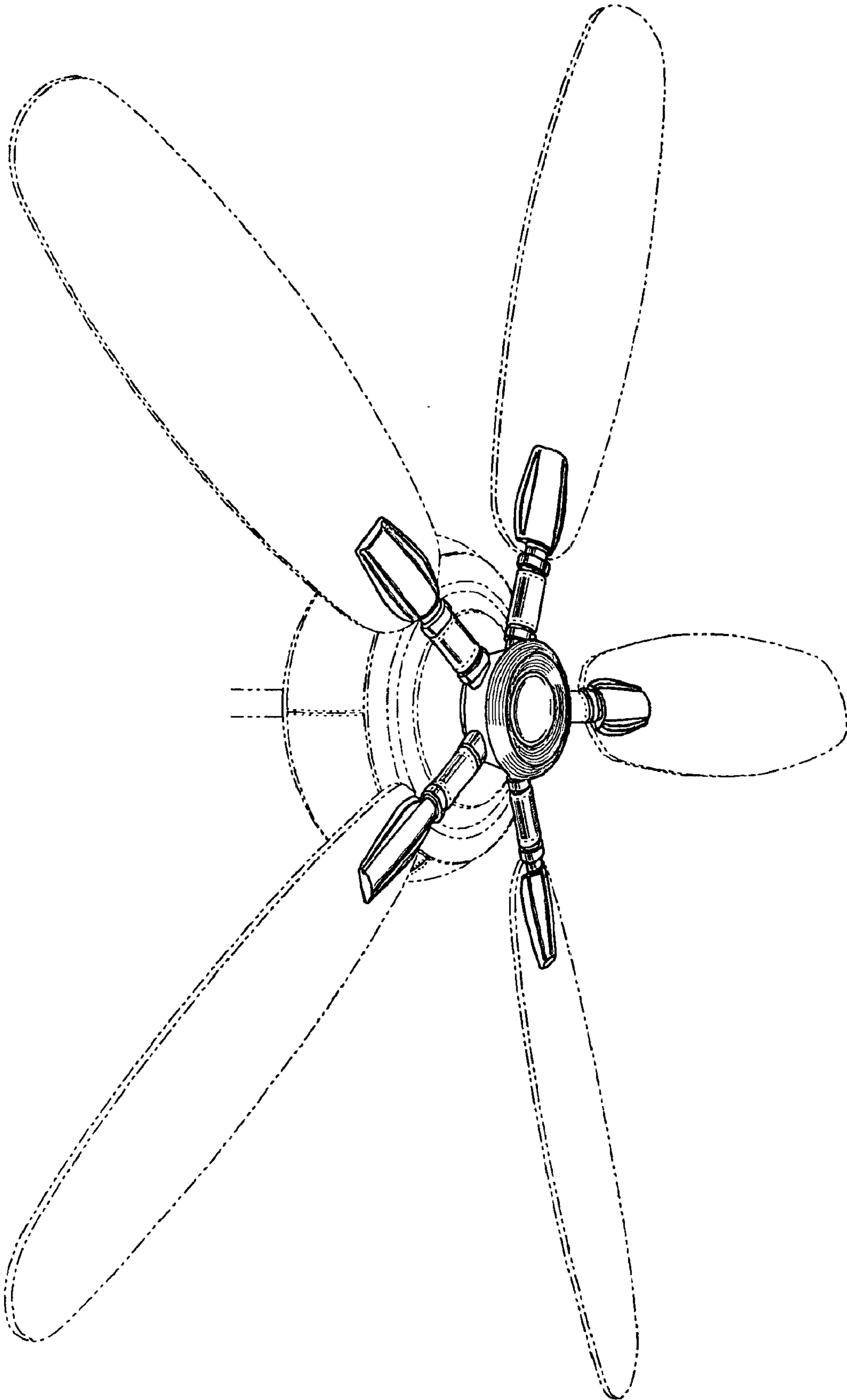


Fig. 1

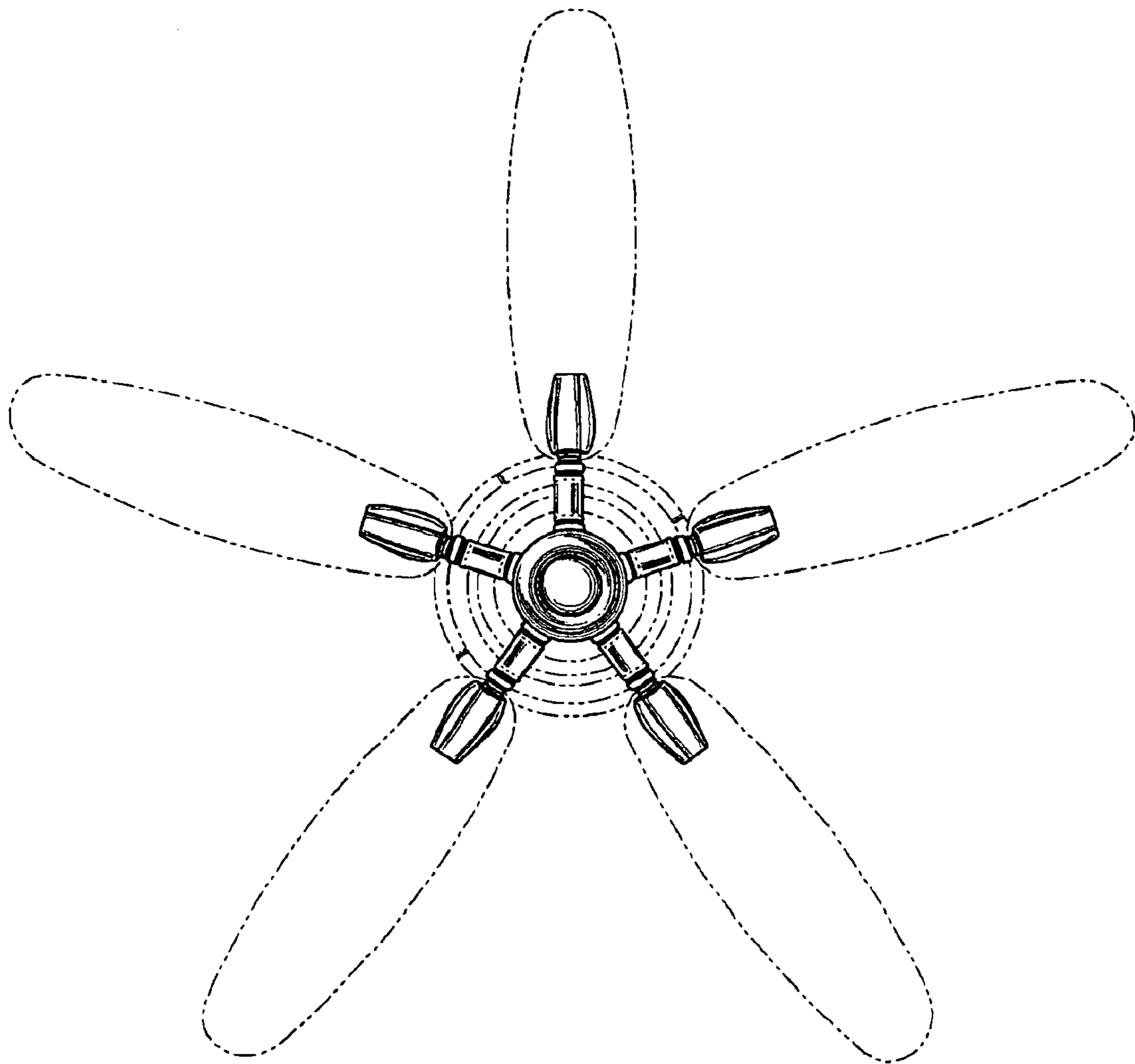


Fig.2

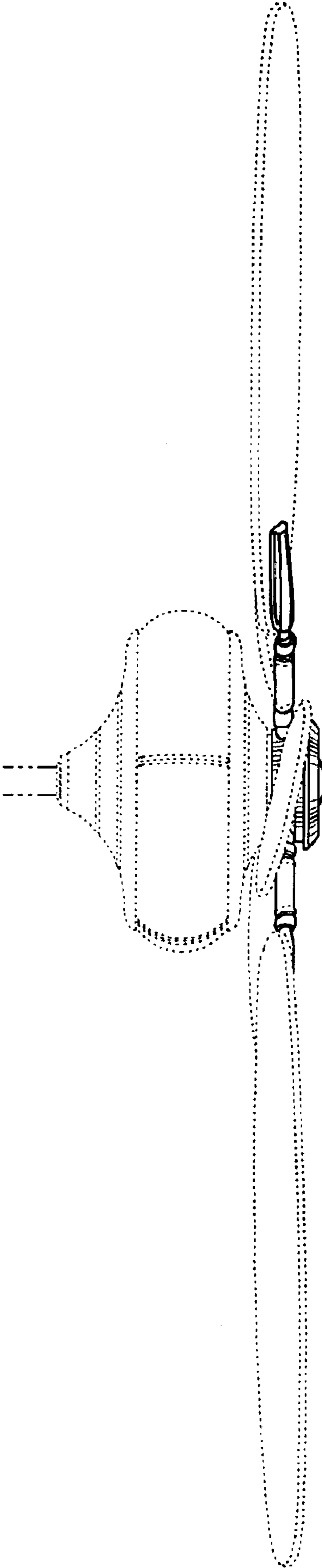


Fig. 3

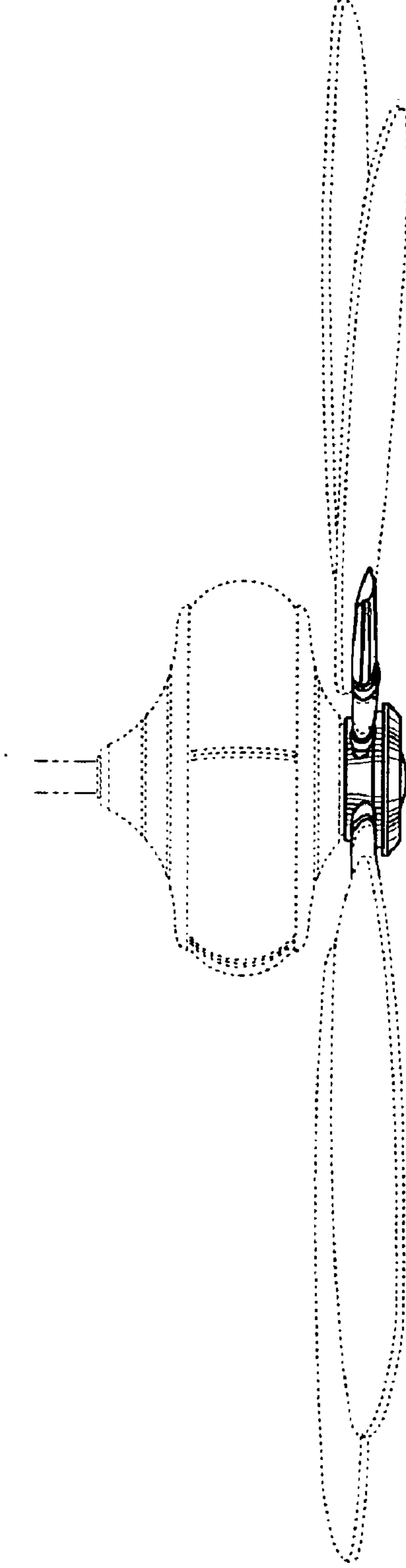


Fig. 4