



US00D510425S

(12) **United States Design Patent**
Young

(10) **Patent No.:** **US D510,425 S**

(45) **Date of Patent:** **** Oct. 4, 2005**

(54) **COMBINATION CEILING FAN AND LIGHT FIXTURE**

(75) Inventor: **Stanfield Young**, Garden Grove, CA (US)

(73) Assignee: **Minka Lighting, Inc.**, Corona, CA (US)

(**) Term: **14 Years**

(21) Appl. No.: **29/204,854**

(22) Filed: **May 5, 2004**

(51) **LOC (8) Cl.** **23-04**

(52) **U.S. Cl.** **D23/377**

(58) **Field of Search** D23/377, 379, D23/385, 413; D26/59, 81-86, 88, 51, 72; 416/5; 362/96

(56) **References Cited**

U.S. PATENT DOCUMENTS

D328,785 S * 8/1992 Markwardt D23/377
D480,465 S 10/2003 Wilson
D492,022 S * 6/2004 Young D23/377

OTHER PUBLICATIONS

Hampton Bay Ceiling Fans; vol. 1; Spring/Summer 2004; p. 27, Mar. 2004, Home Depot, Inc. USA.
Craftmade 2003 New Products Jan. Update; p. 4, Jan. 2003, Craftmade, Inc. USA.
Home Lighting & Accessories; vol. 87, No. 3; p. 109 (The Oslo Collection), p. 110 (Kitty Hawk) and p. 121 (Voyager), Mar. 2004, The Oslo Collection by Ellington Fans; Kitty Hawk Ceiling Fan by Emerson Fans; Voyager by Concord Fans.

Expo Design Center Advertisement; Hampton Bay Gallery Cessna Ceiling Fan; p. 299, Apr. 2004, Home Depot, Inc. USA.

* cited by examiner

Primary Examiner—Lisa Lichtenstein

(74) *Attorney, Agent, or Firm*—Baker & McKenzie LLP

(57) **CLAIM**

The ornamental design for a combination ceiling fan and light fixture, as shown and described.

DESCRIPTION

FIG. 1 is a perspective view from below of a combination ceiling fan and light fixture in accordance with my design; FIG. 2 is a perspective view from below of the combination ceiling fan and light fixture in accordance with my design; FIG. 3 is an enlarged perspective view from below of the combination ceiling fan and light fixture in accordance with my design;

FIG. 4 is a top plan view of the combination ceiling fan and light fixture in accordance with my design;

FIG. 5 is a bottom plan view of the combination ceiling fan and light fixture in accordance with my design;

FIG. 6 is a front elevation view of the combination ceiling fan and light fixture in accordance with my design;

FIG. 7 is a side elevation view of the combination ceiling fan and light fixture in accordance with my design;

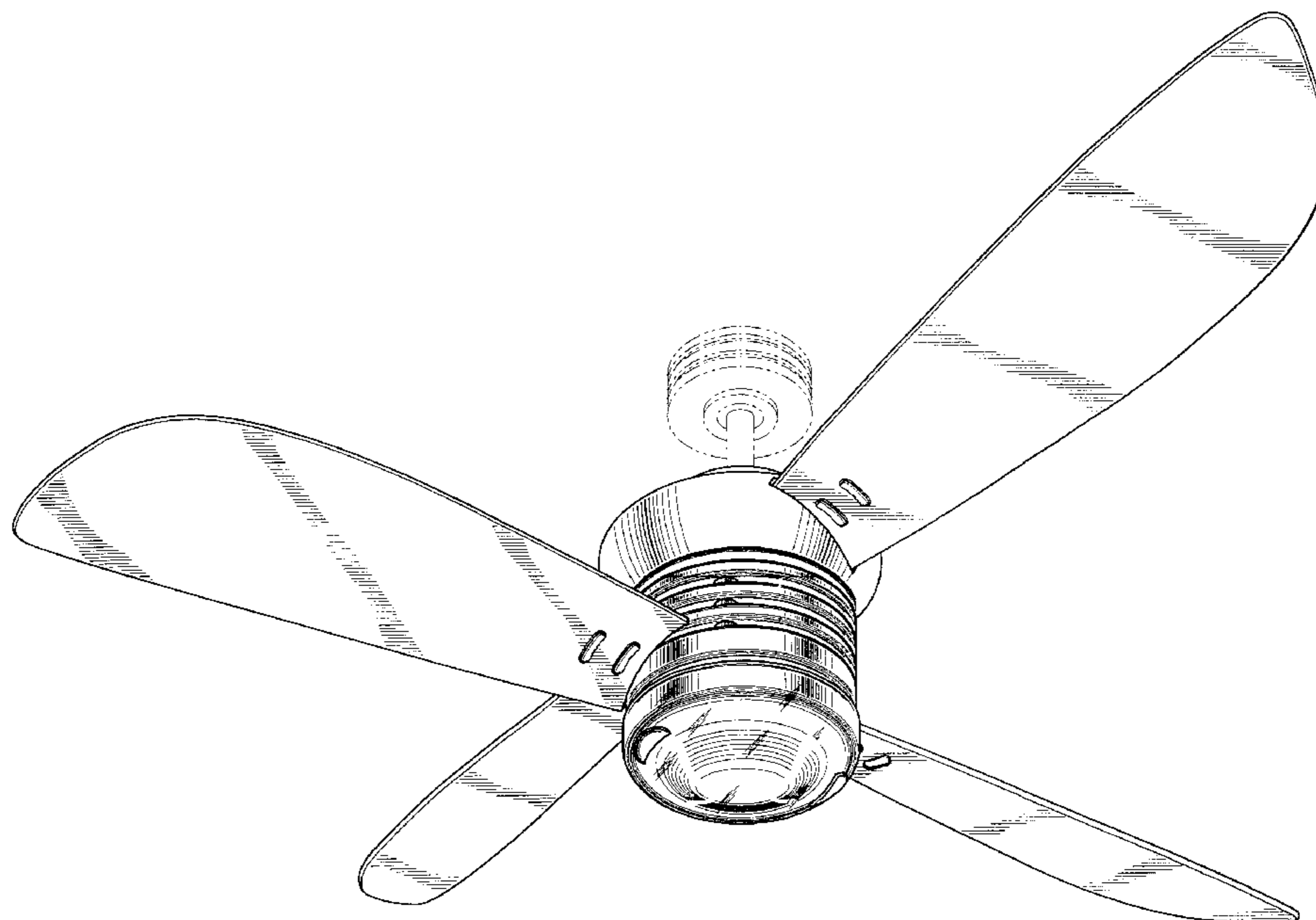
FIG. 8 is a side elevation view of the combination ceiling fan and light fixture in accordance with my design; and,

FIG. 9 is a side elevation view of the combination ceiling fan and light fixture in accordance with my design.

In FIG. 3, the fan blades are shown broken away to indicate indeterminate length.

The broken line showing of environmental structure is for illustrative purposes only and forms no part of the claimed design.

1 Claim, 8 Drawing Sheets



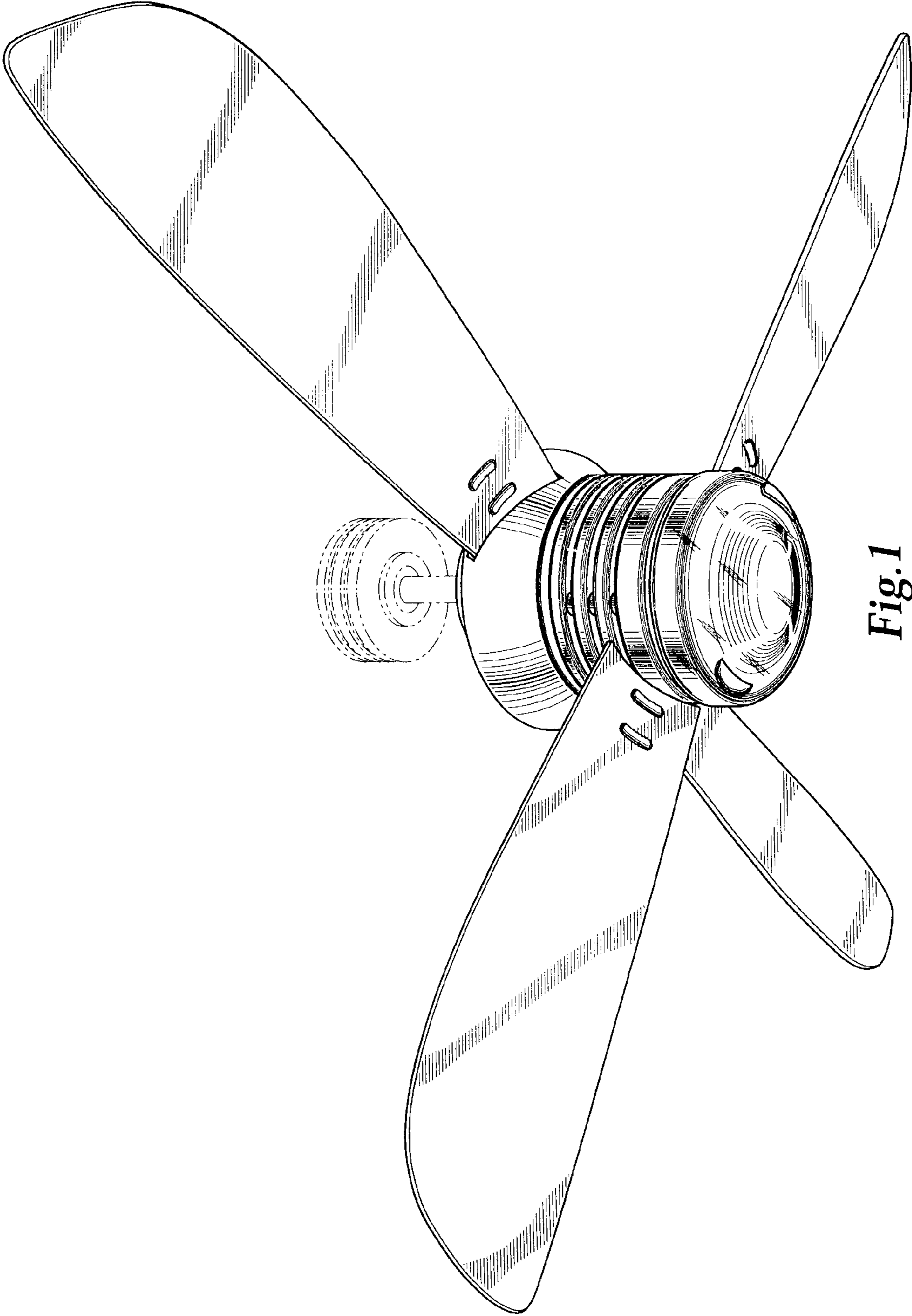


Fig. 1

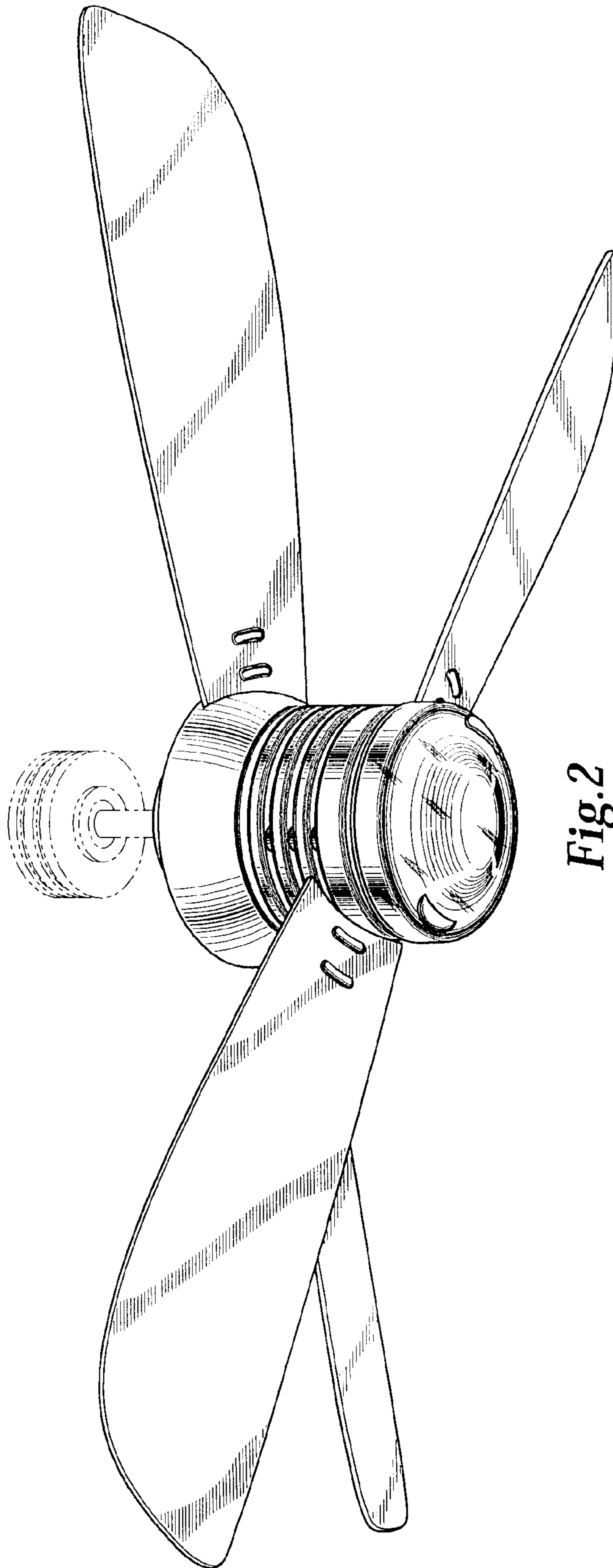


Fig. 2

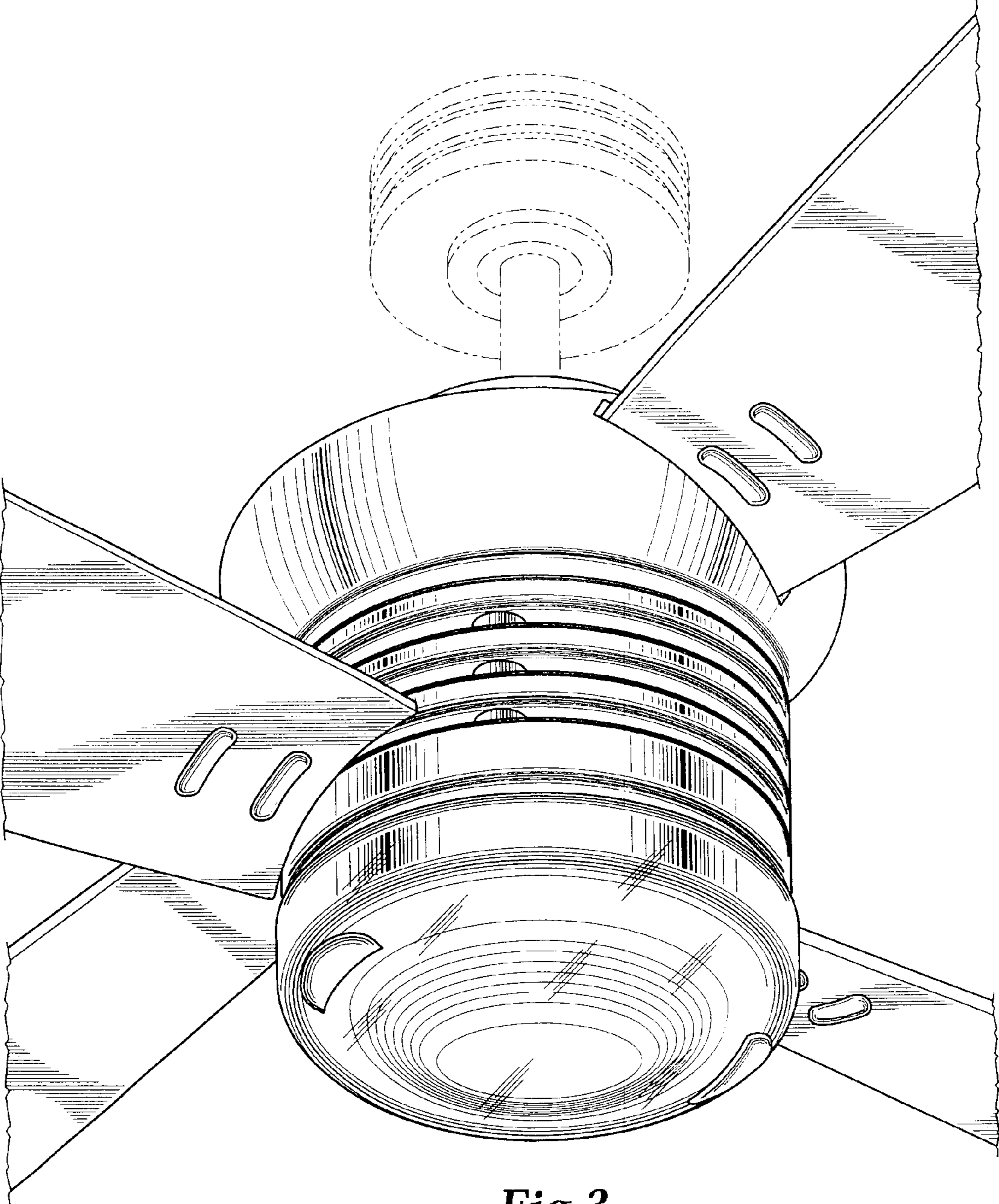


Fig. 3

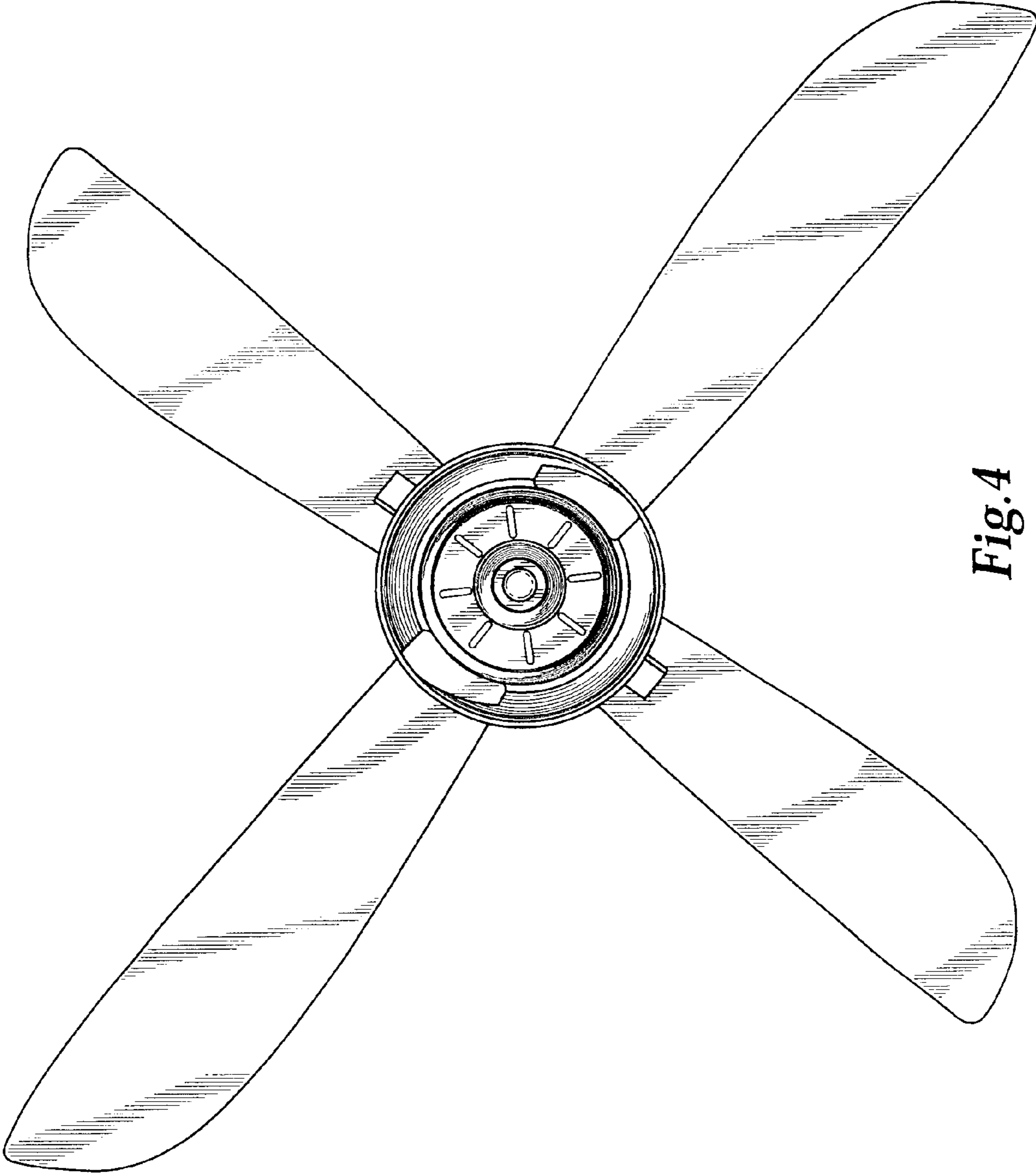


Fig. 4

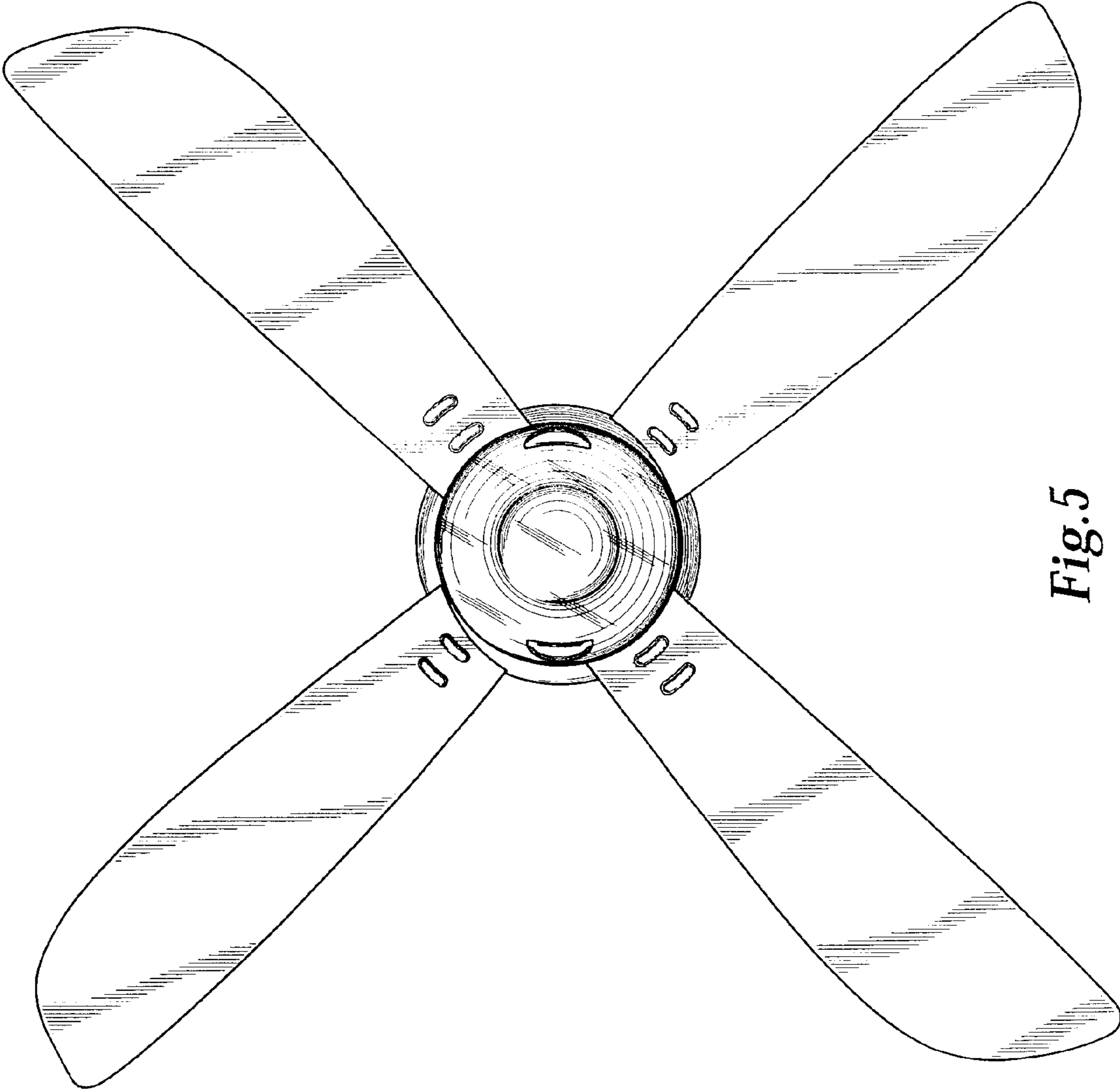


Fig. 5

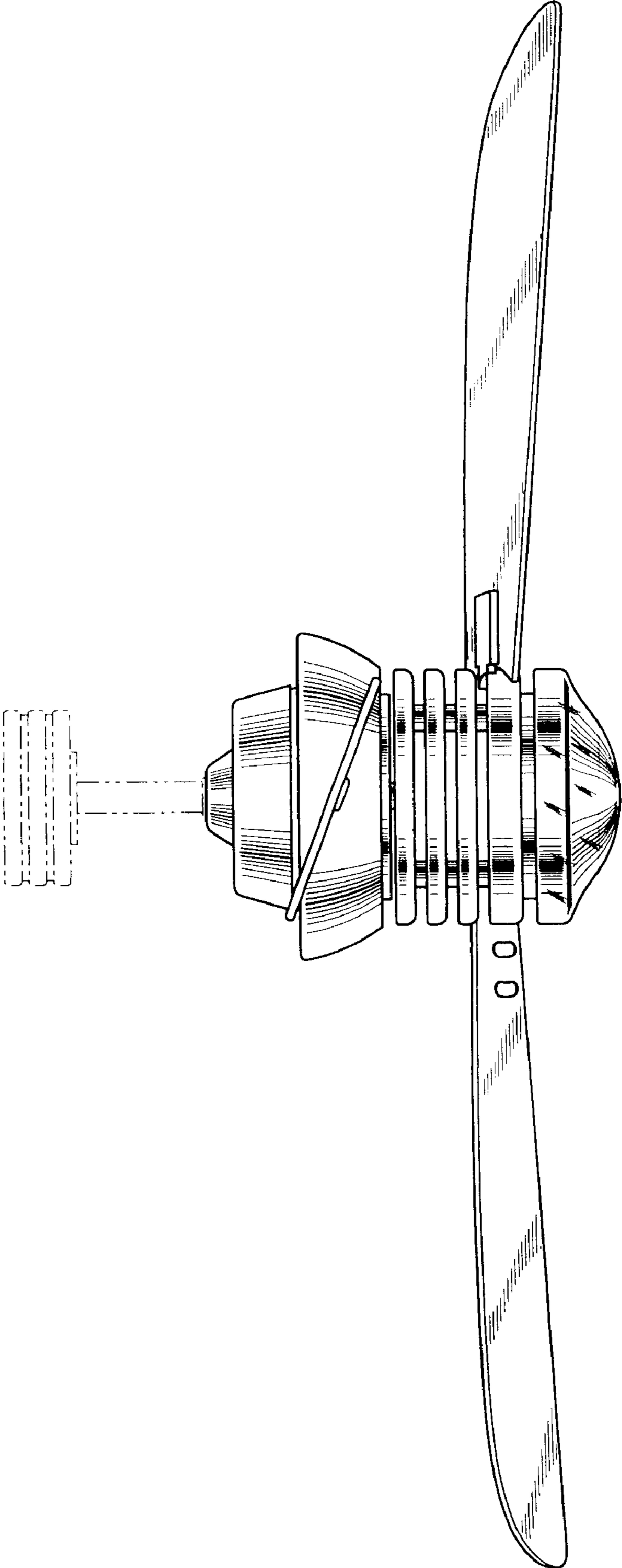


Fig.6

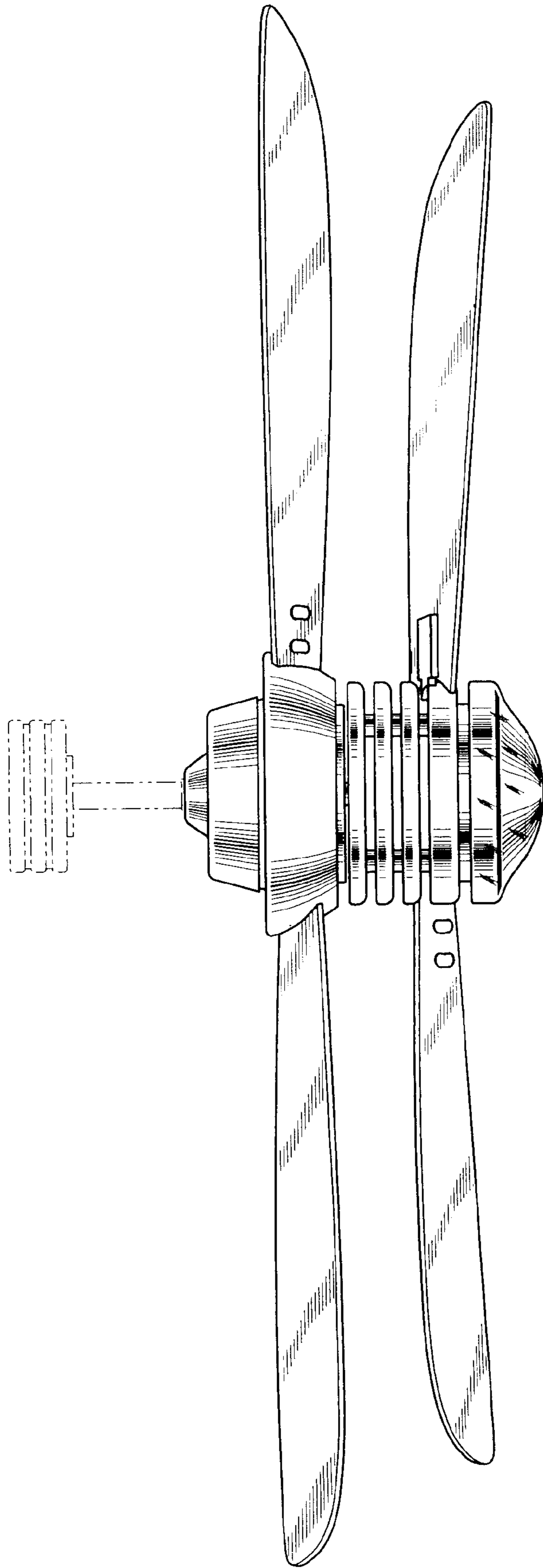


Fig. 7

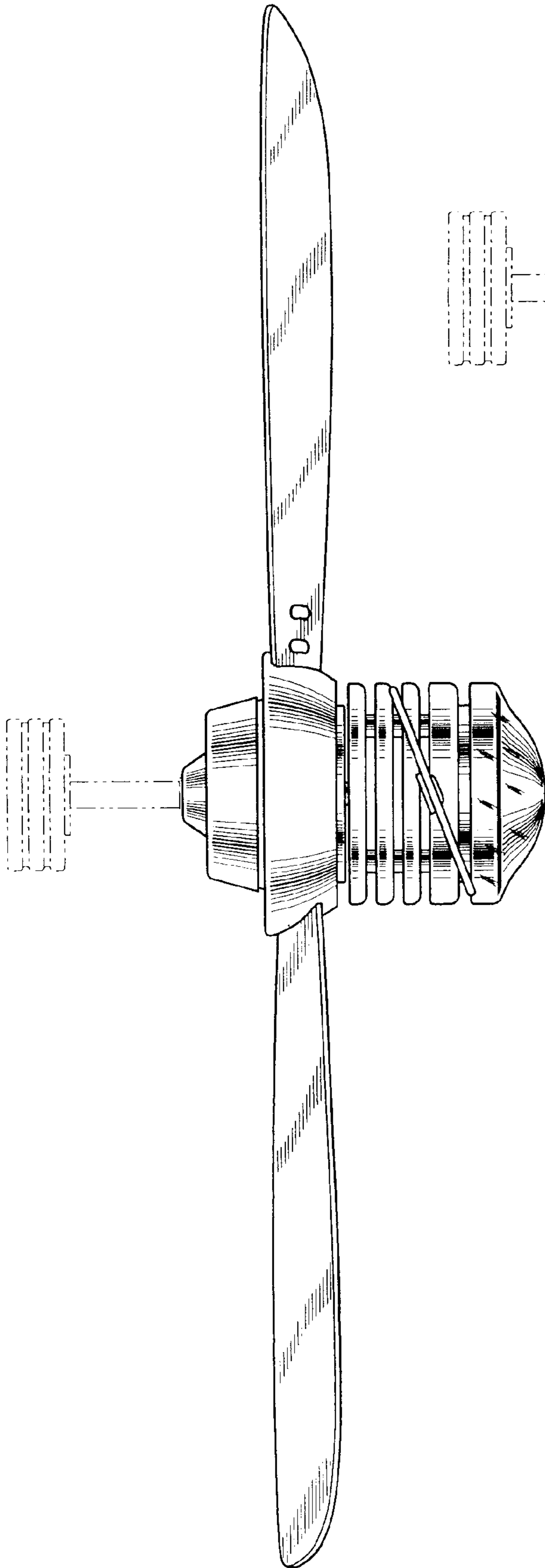


Fig. 8

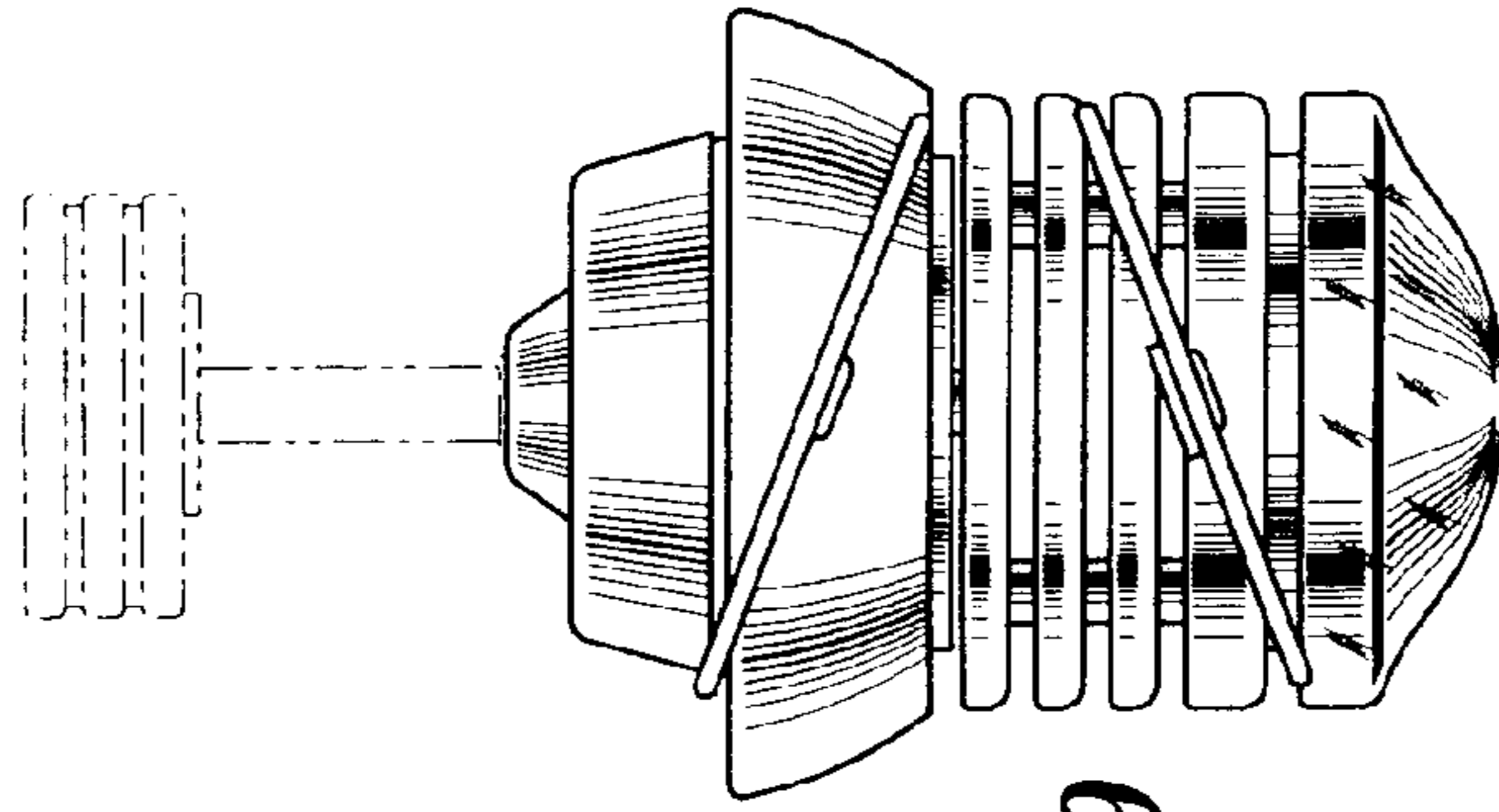


Fig. 9