



US00D510424S

(12) **United States Design Patent**
Young

(10) **Patent No.:** **US D510,424 S**
(45) **Date of Patent:** **** Oct. 4, 2005**

(54) **COMBINATION CEILING FAN AND LIGHT FIXTURE**

(75) Inventor: **Stanfield Young**, Garden Grove, CA (US)

(73) Assignee: **Minka Lighting, Inc.**, Corona, CA (US)

(**) Term: **14 Years**

(21) Appl. No.: **29/195,872**

(22) Filed: **Dec. 18, 2003**

(51) **LOC (8) Cl.** **23-04**

(52) **U.S. Cl.** **D23/377**

(58) **Field of Search** D23/377, 379, D23/385, 411, 413; 416/5; D26/59, 51, 72, 81-88, 79

(56) **References Cited**

U.S. PATENT DOCUMENTS

D454,636 S * 3/2002 Lantz D23/413
D479,597 S * 9/2003 Curtin D23/413

OTHER PUBLICATIONS

Royal Pacific Internet Catalog; Bahama Palm Leaf & Carved Wood Blade Ceiling Fan, Model # 1012-BP; Printed from www.fanshack.com, Nov. 17, 2003, Royal Pacific Ceiling Fans.

Fanimation Internet Catalog; The Louvre ceiling fan, Model No. FP1320GZ; Printed from www.fanimation.com, Feb. 20, 2004, Fanimation Fans.

Hampton Bay ceiling fan, Model No. 73554; Printed from www.homedepot.com, Feb. 20, 2004, Home Depot.

Kona Bay ceiling fan, Model No. K52AW; Printed from www.craftmade.com, Feb. 20, 2004, Craftmade International, Inc.

* cited by examiner

Primary Examiner—Lisa Lichtenstein

(74) *Attorney, Agent, or Firm*—Baker & McKenzie LLP

(57) **CLAIM**

The ornamental design for a combination ceiling fan and light fixture, as shown and described.

DESCRIPTION

FIG. 1 is a perspective view from below of a combination ceiling fan and light fixture in accordance with my design; FIG. 2 is an enlarged perspective view from below of the combination ceiling fan and light fixture in accordance with my design;

FIG. 3 is a top plan view of the combination ceiling fan and light fixture in accordance with my design;

FIG. 4 is a bottom plan view of the combination ceiling fan and light fixture in accordance with my design;

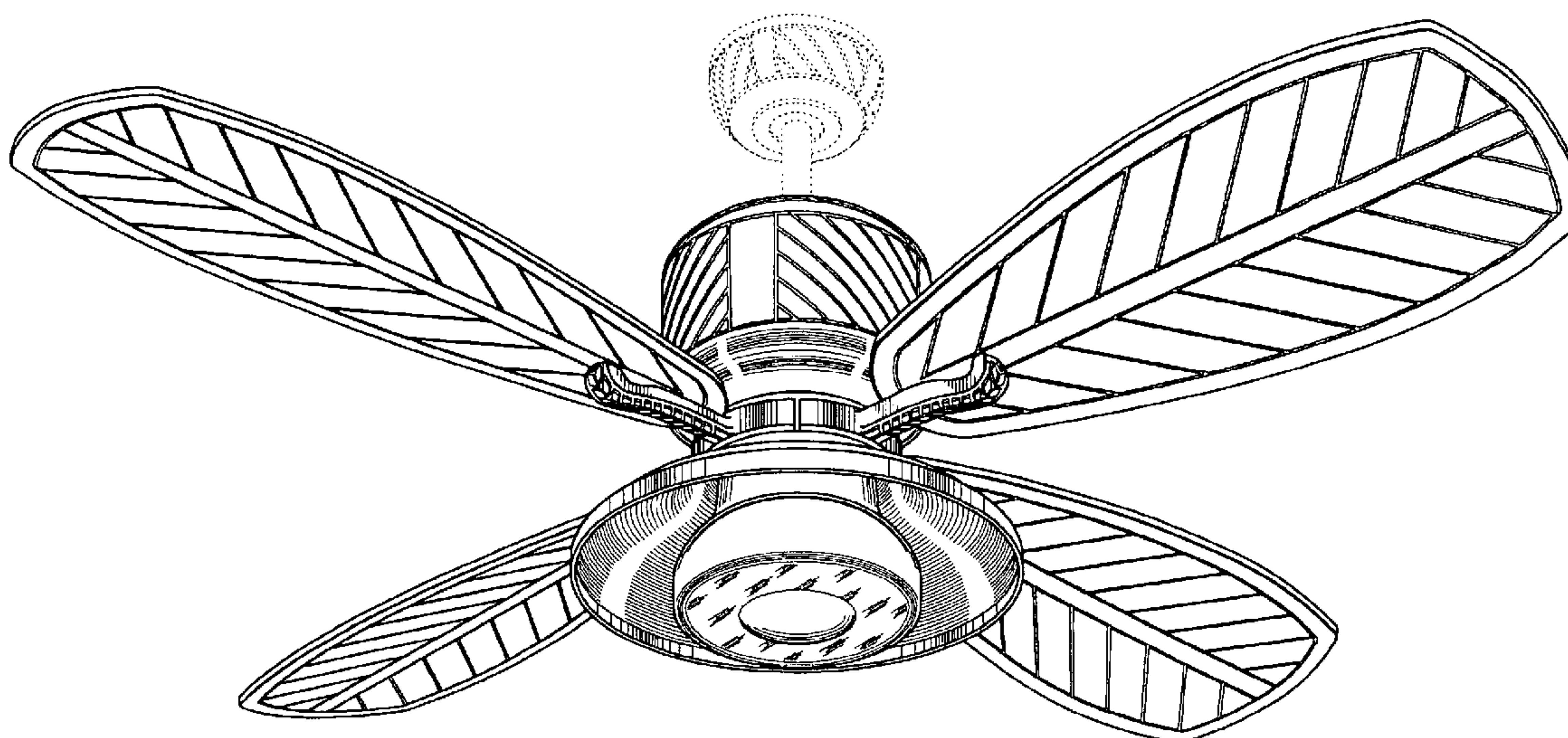
FIG. 5 is a front elevation view of the combination ceiling fan and light fixture in accordance with my design; and,

FIG. 6 is a side elevation view of the combination ceiling fan and light fixture in accordance with my design the opposite side being a mirror image of that shown.

FIGS. 5 and 6 are identical except for the positioning of the fan blades.

The broken lines showing environmental structure are for illustrative purposes and form no part of the claimed design. In FIG. 2, the fan blades are shown broken away to indicate indeterminate length.

1 Claim, 6 Drawing Sheets



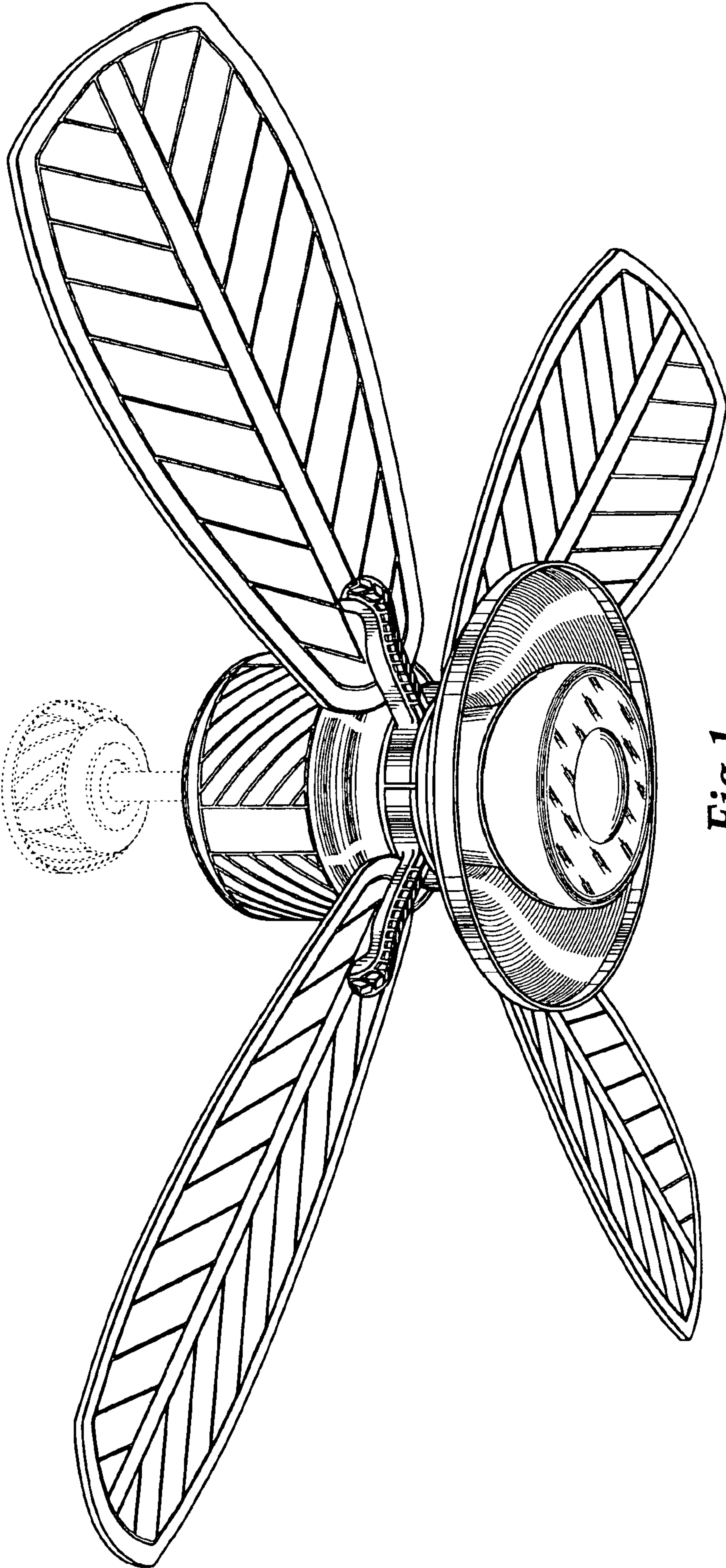


Fig. 1

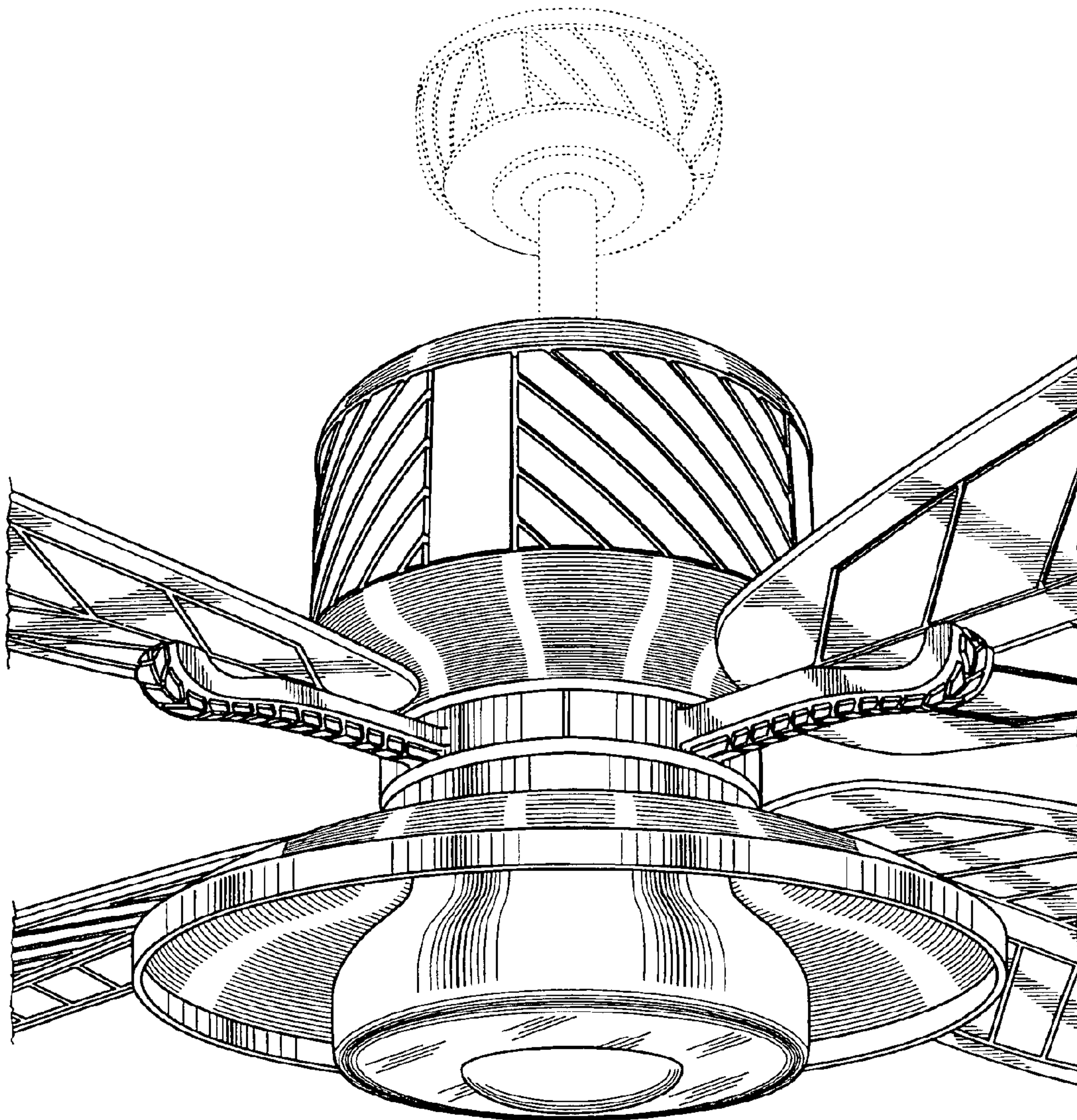


Fig.2

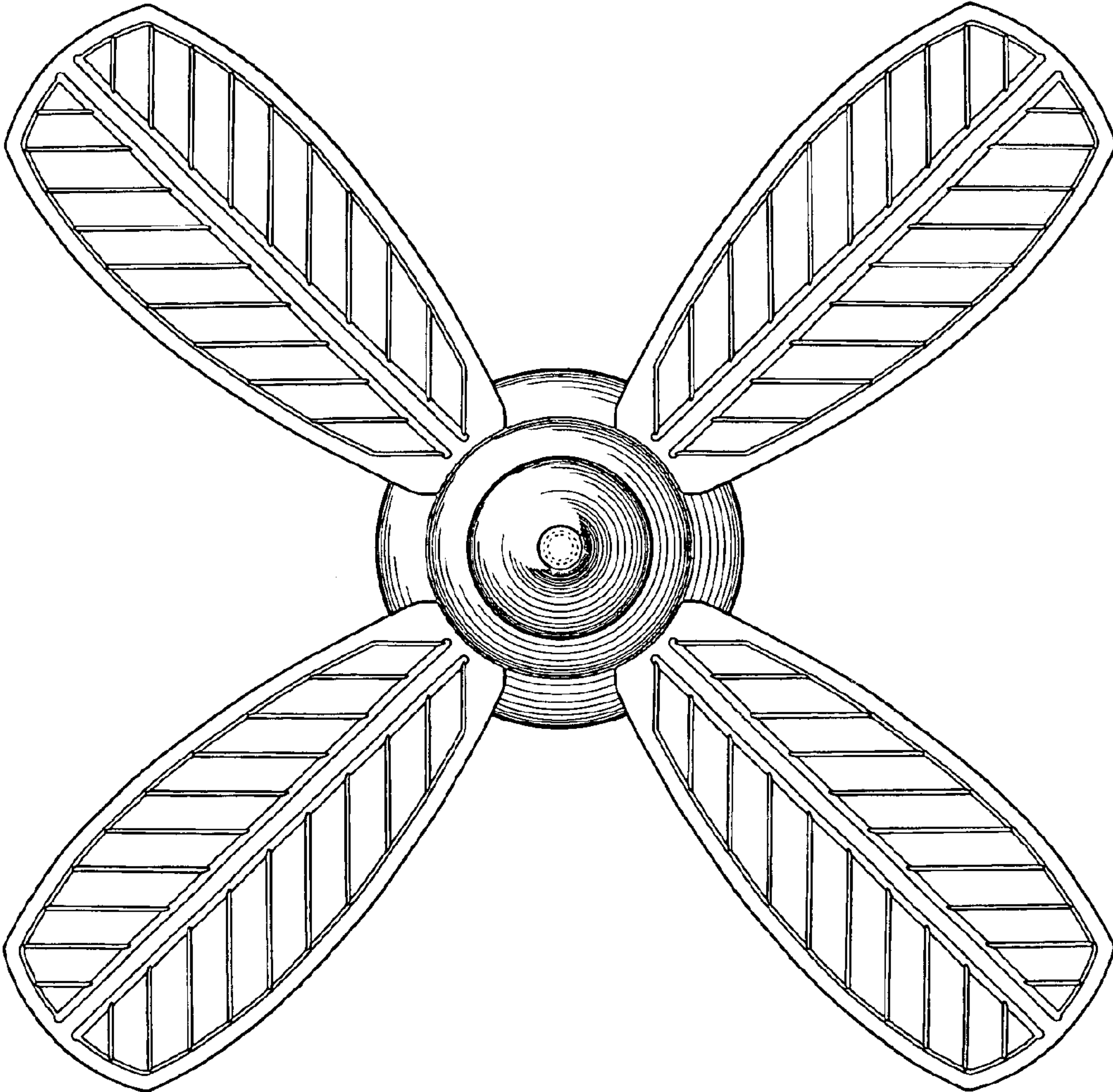


Fig. 3

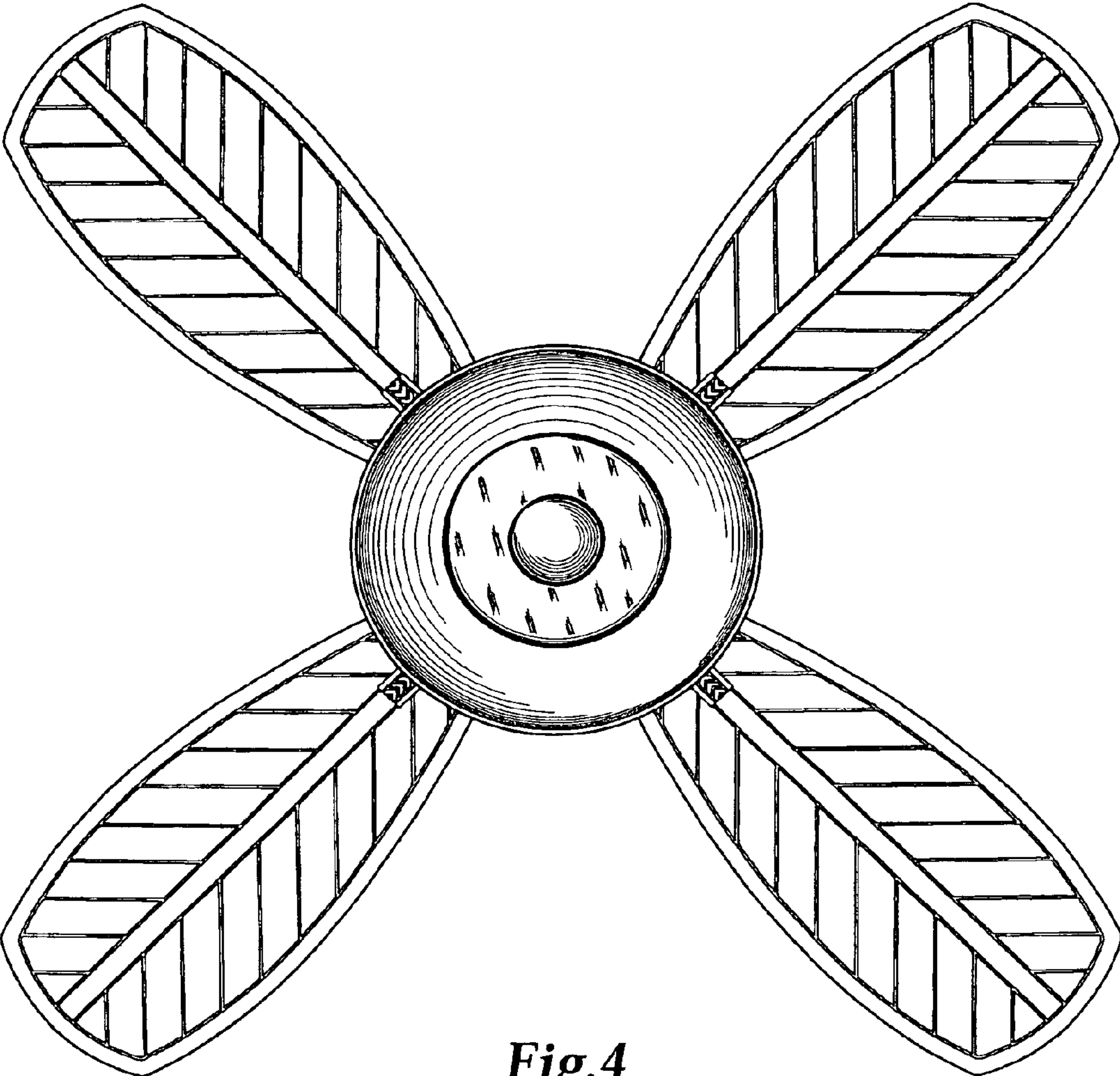


Fig.4

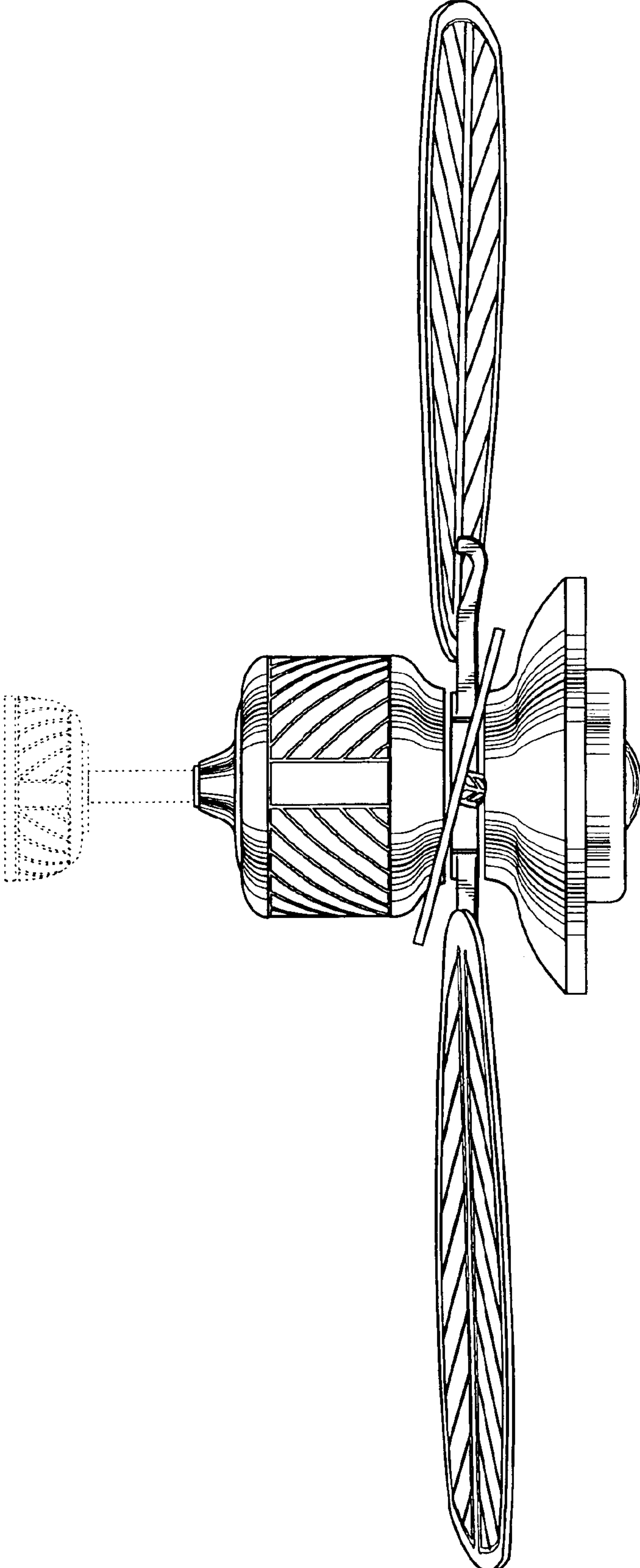


Fig.5

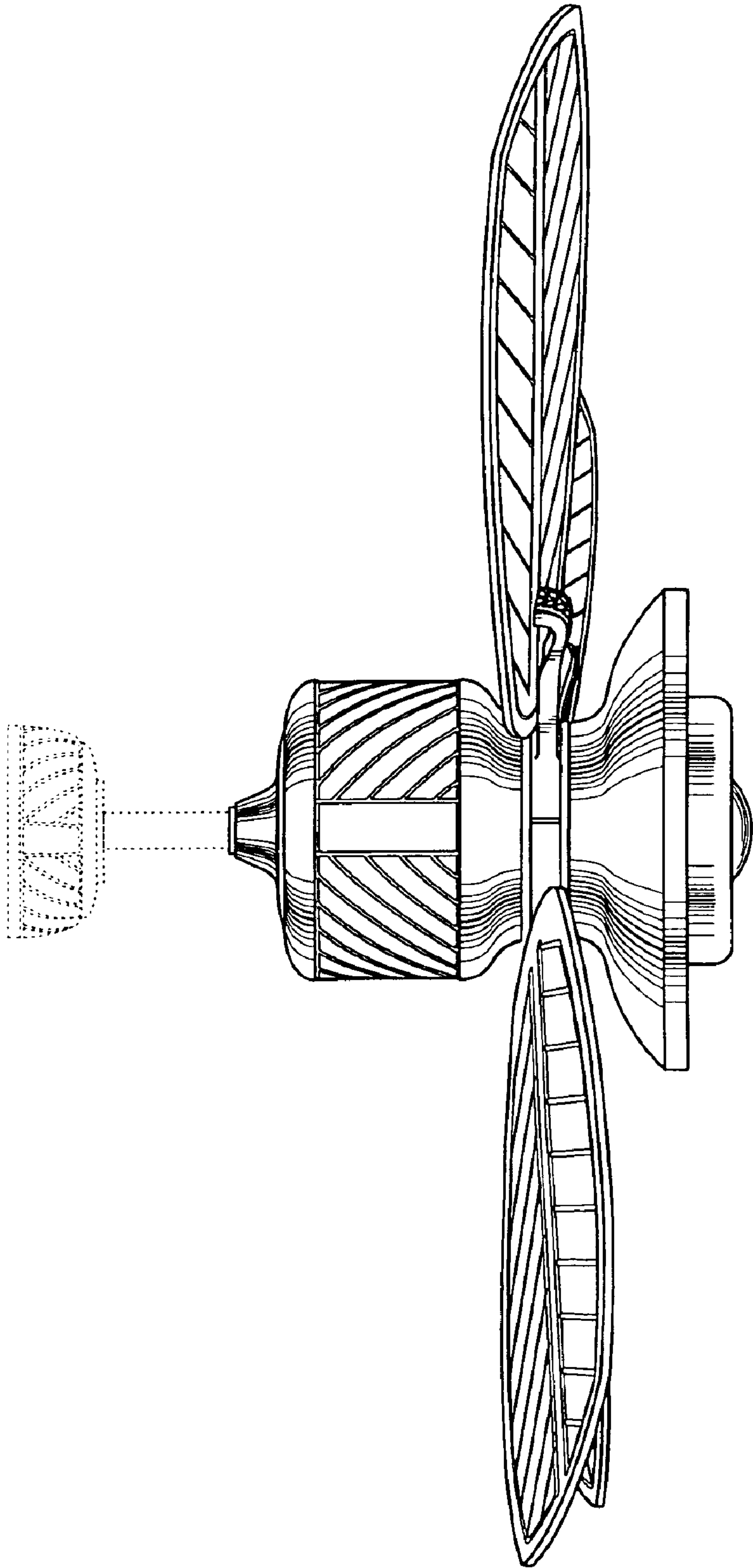


Fig.6