



US00D510423S

(12) **United States Design Patent**  
**Caserta et al.**

(10) **Patent No.:** **US D510,423 S**  
(45) **Date of Patent:** **\*\* Oct. 4, 2005**

(54) **SUBSTANCE EVAPORATOR**

(75) Inventors: **Andrea Caserta**, Barcelona (ES);  
**Ruben Garcia Fabrega**, Barcelona  
(ES); **Pere Casas Colomer**, Barcelona  
(ES)

(73) Assignee: **DBK Espana, S.A.** (ES)

(\*\*) Term: **14 Years**

(21) Appl. No.: **29/207,386**

(22) Filed: **Jun. 14, 2004**

(51) **LOC (8) Cl.** ..... **23-04**

(52) **U.S. Cl.** ..... **D23/366**

(58) **Field of Search** ..... D23/356-369;  
392/390, 392, 394; 239/135, 136, 58; 261/DIG. 17,  
DIG. 65

				366
D480,792 S	*	10/2003	Millan .....	D23/366
D481,787 S	*	11/2003	Millan .....	D23/366
D485,340 S	*	1/2004	Wu .....	D23/366
D485,341 S	*	1/2004	Wu .....	D23/366
D491,256 S	*	6/2004	Fellows et al. ....	D23/366
D501,546 S	*	2/2005	Cruver et al. ....	D23/366
D501,921 S	*	2/2005	Caserta et al. ....	D23/366
D502,540 S	*	3/2005	Cruver et al. ....	D23/366

\* cited by examiner

*Primary Examiner*—Antoine Duval Davis

*Assistant Examiner*—Sandra Snapp

(74) *Attorney, Agent, or Firm*—Michael Best & Friedrich  
LLP

(57) **CLAIM**

The ornamental design for a substance evaporator, as shown  
and described.

**DESCRIPTION**

FIG. 1 is an exploded first perspective view of the substance  
evaporator of the instant invention showing the separation of  
the container and the upper portion of the substance evapo-  
rator thereof;

FIG. 2 is a second perspective view of the assembled  
substance evaporator thereof;

FIG. 3 is a front elevational view thereof;

FIG. 4 is a back elevational view thereof;

FIG. 5 is a left side elevational view thereof;

FIG. 6 is a right side elevational view thereof;

FIG. 7 is a top plan view thereof; and,

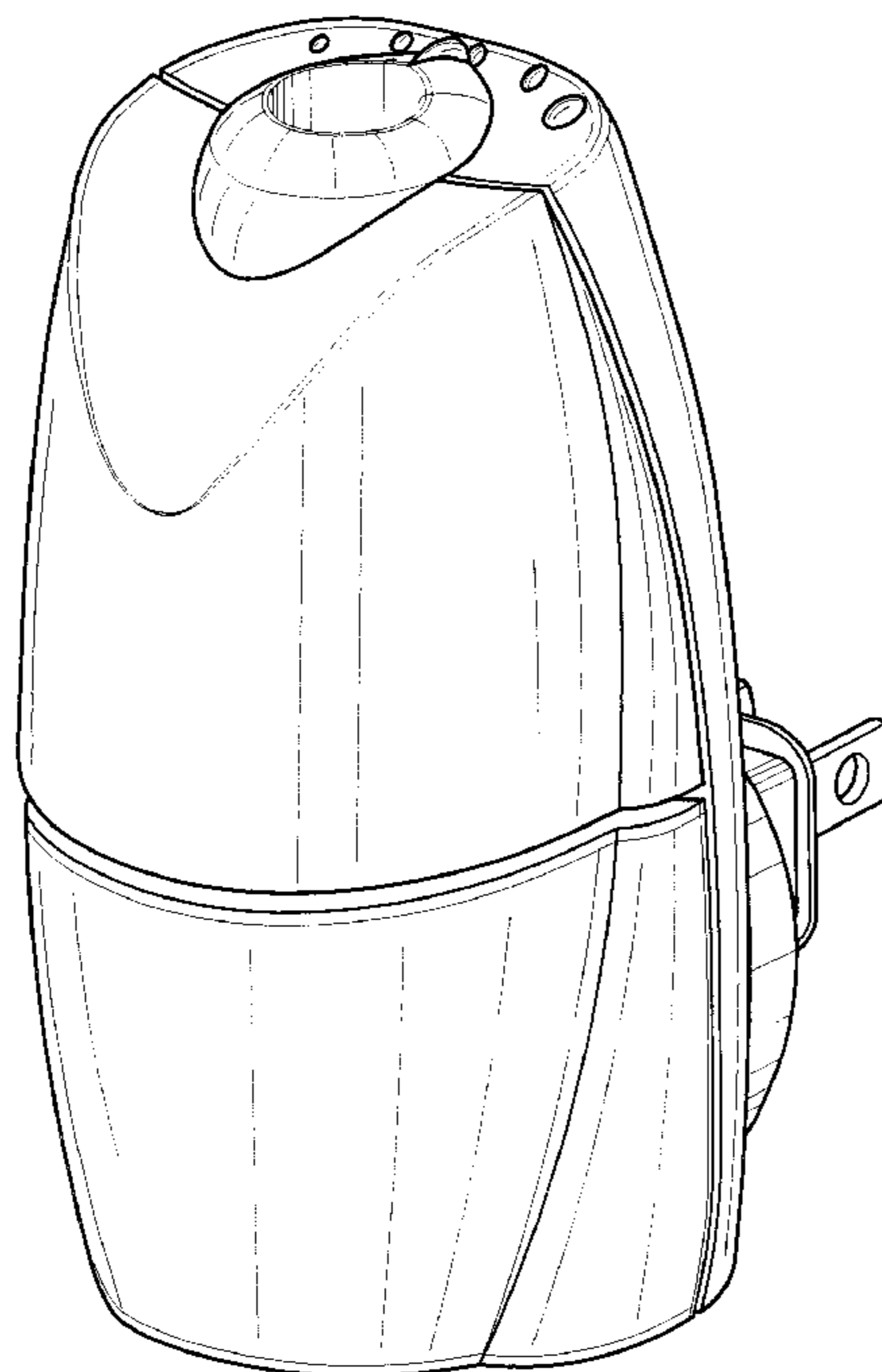
FIG. 8 is a bottom plan view thereof.

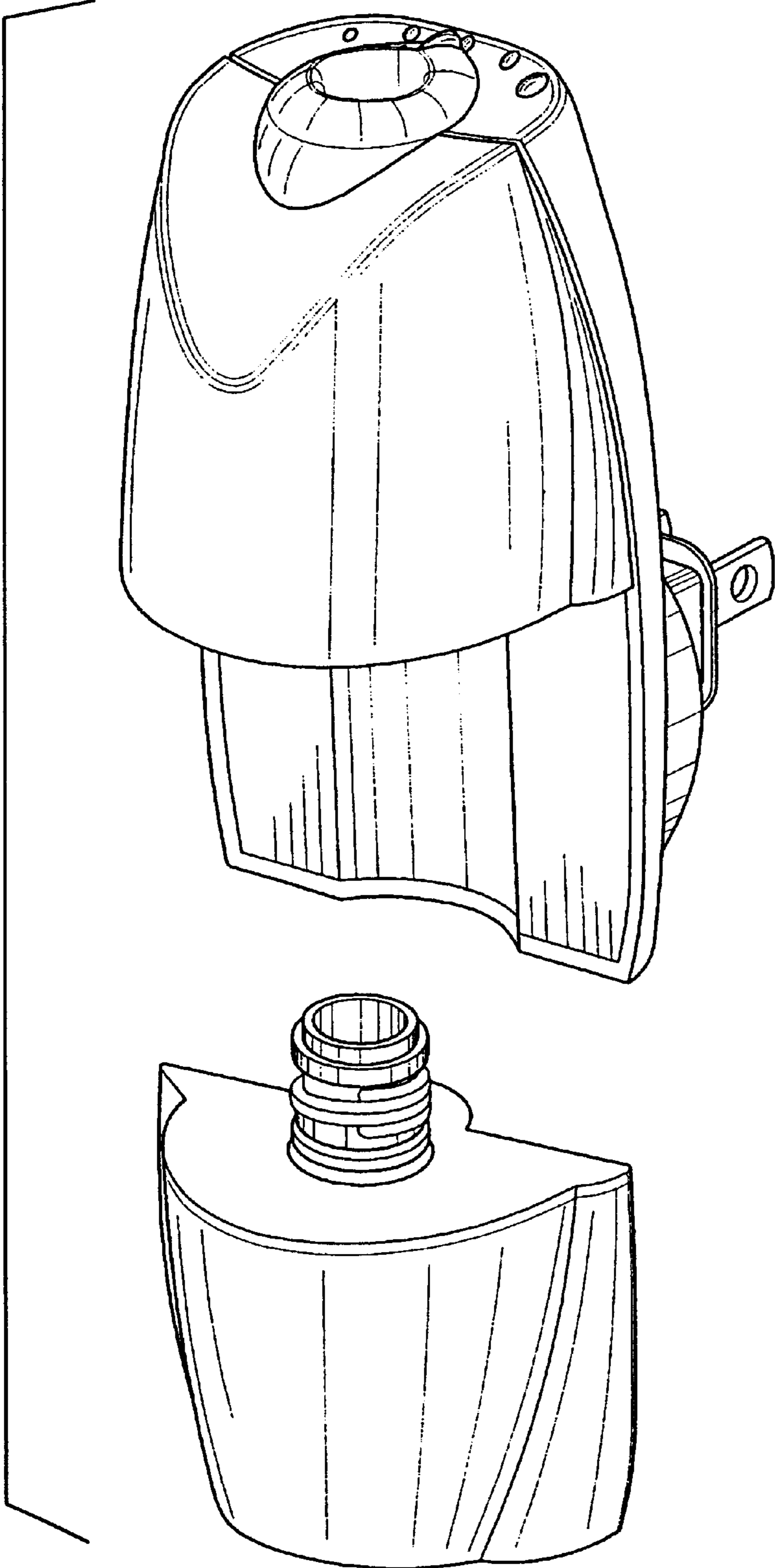
**1 Claim, 8 Drawing Sheets**

(56) **References Cited**

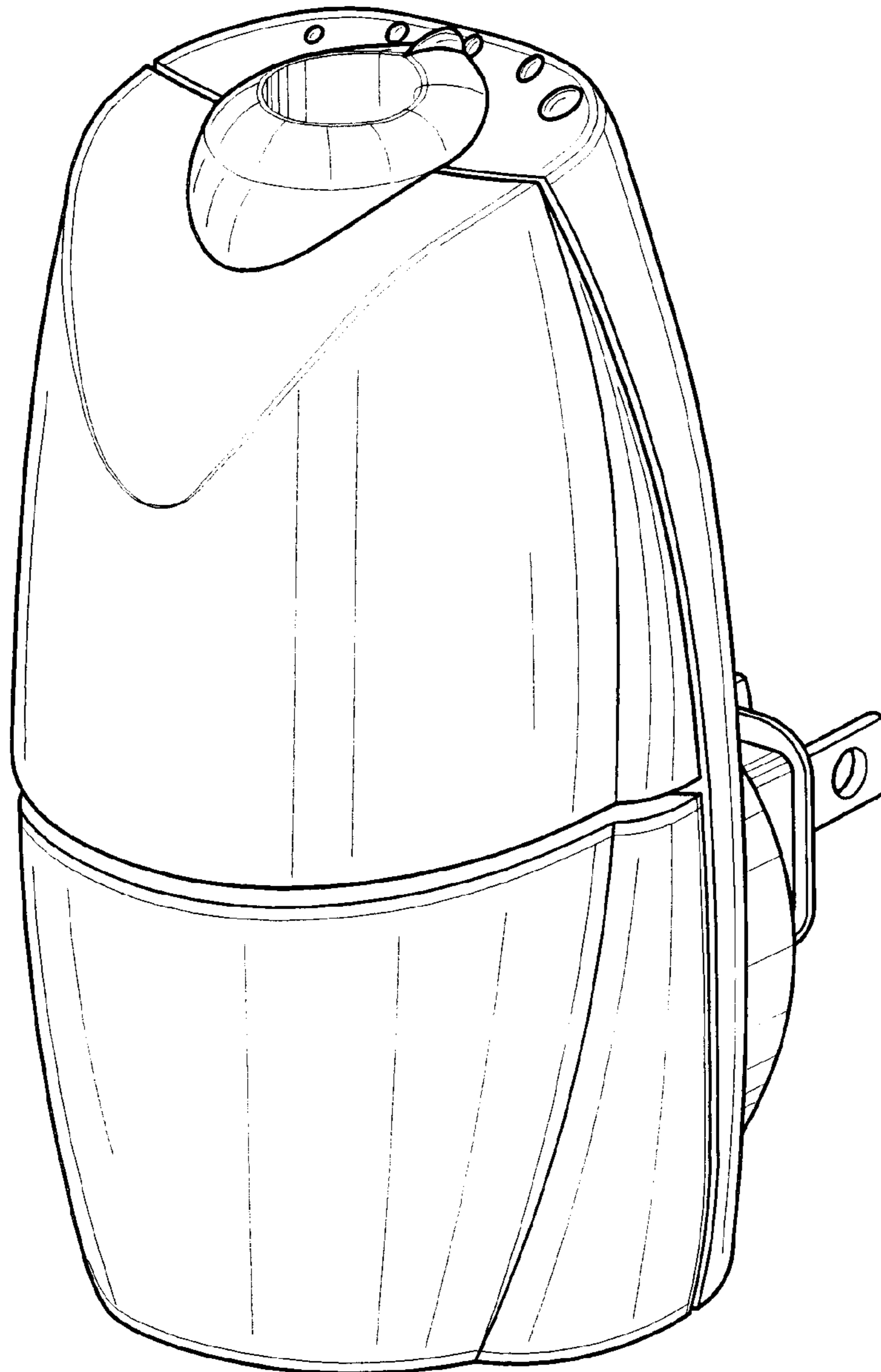
**U.S. PATENT DOCUMENTS**

D393,063 S	*	3/1998	Wefler .....	D23/366
D432,222 S	*	10/2000	Rymer et al. ....	D23/366
D433,744 S	*	11/2000	Basaganas .....	D23/366
D440,291 S	*	4/2001	Wolpert et al. ....	D23/360
D449,101 S	*	10/2001	Wolpert et al. ....	D23/366
D461,549 S	*	8/2002	Garcia .....	D23/360
D461,885 S	*	8/2002	Jordi .....	D23/366
D462,755 S	*	9/2002	Basaganas Millan .....	D23/366
D465,019 S	*	10/2002	Wu .....	D23/366
D466,204 S	*	11/2002	Wolpert et al. ....	D23/366
D469,862 S	*	2/2003	Cruver et al. ....	D23/366
D473,638 S	*	4/2003	Cruver, IV .....	D23/366
D474,268 S	*	5/2003	Choke-arpornchai et al. ...	D23/

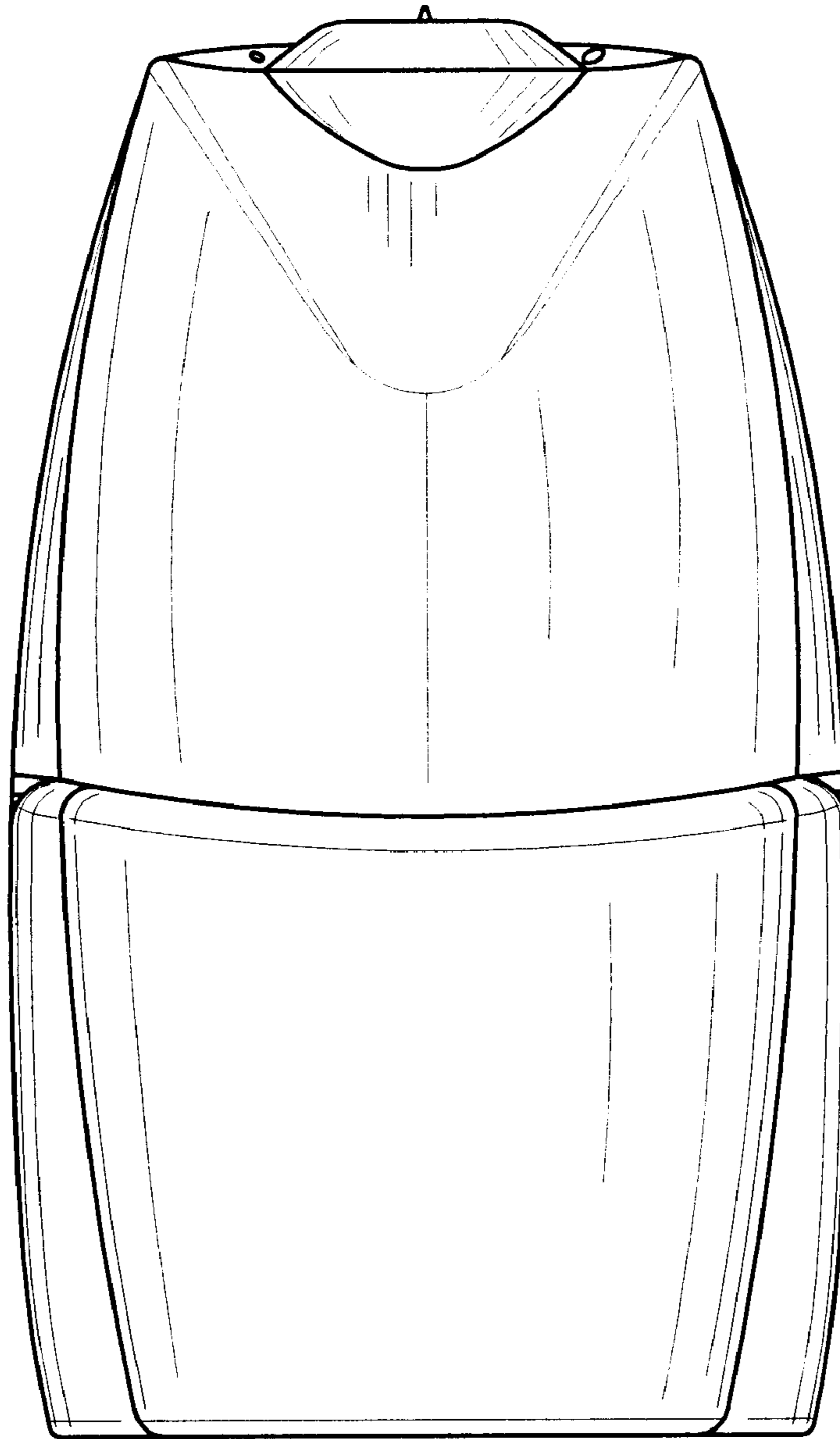




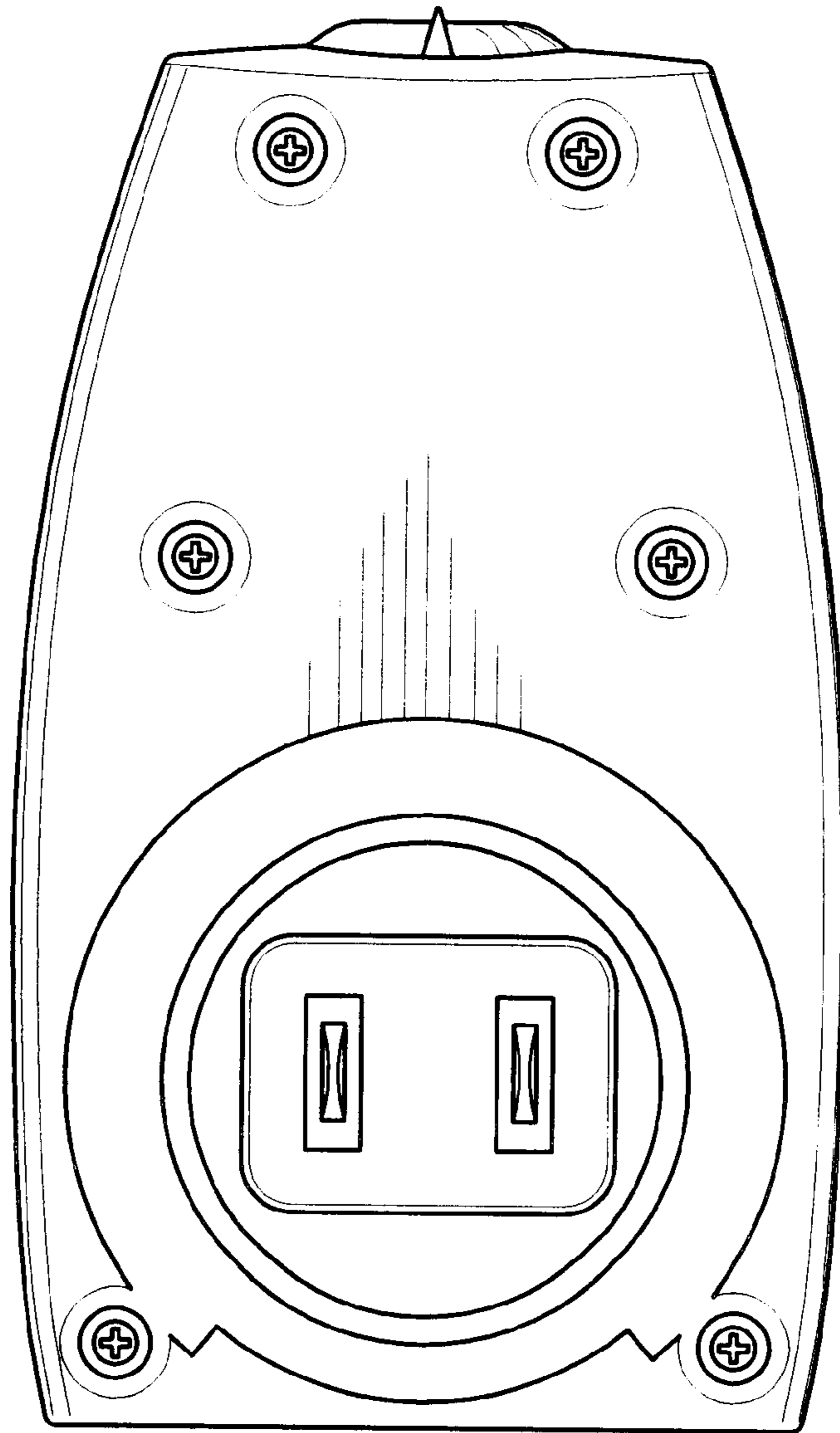
**FIG. 1**



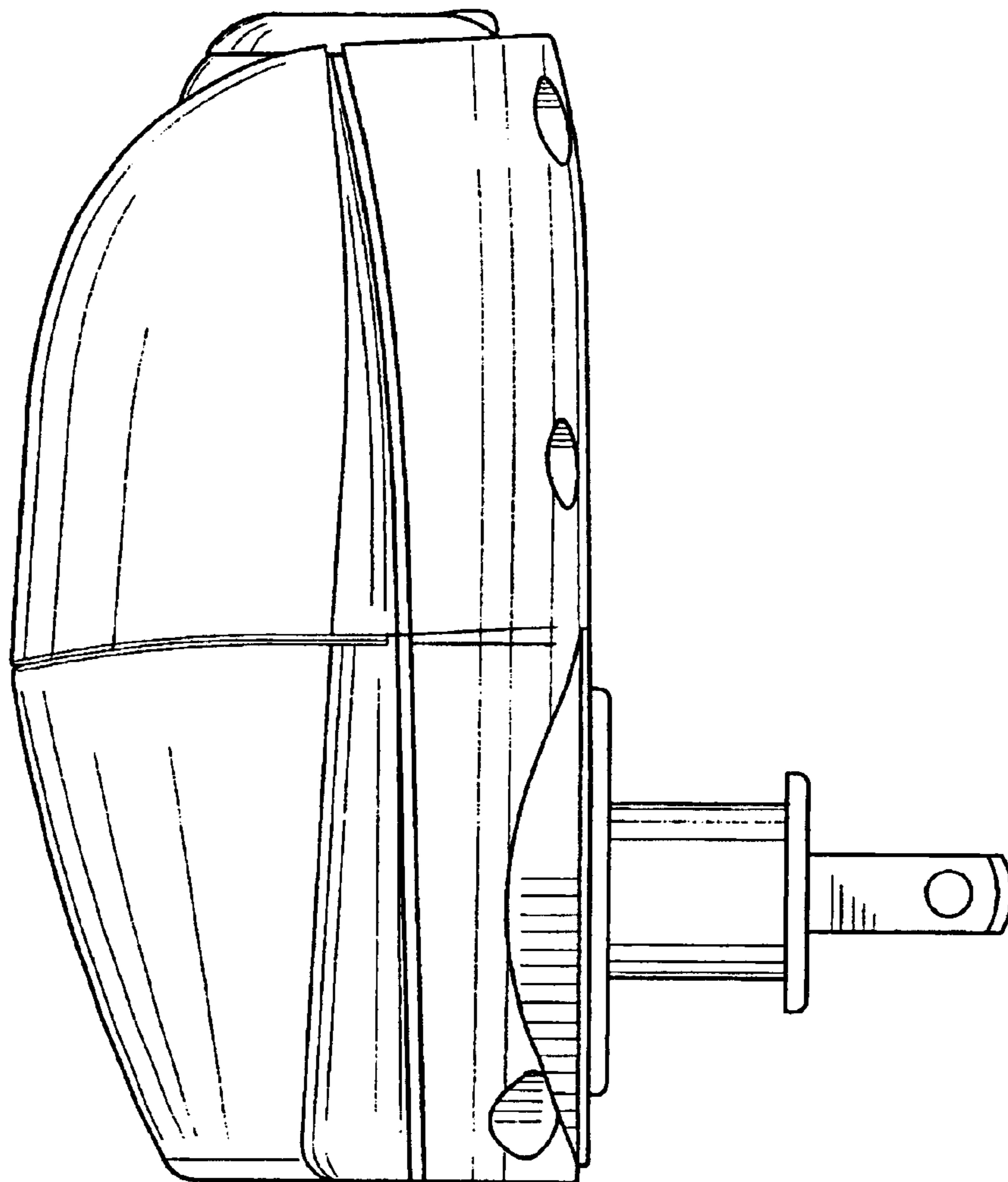
**FIG. 2**



***FIG. 3***

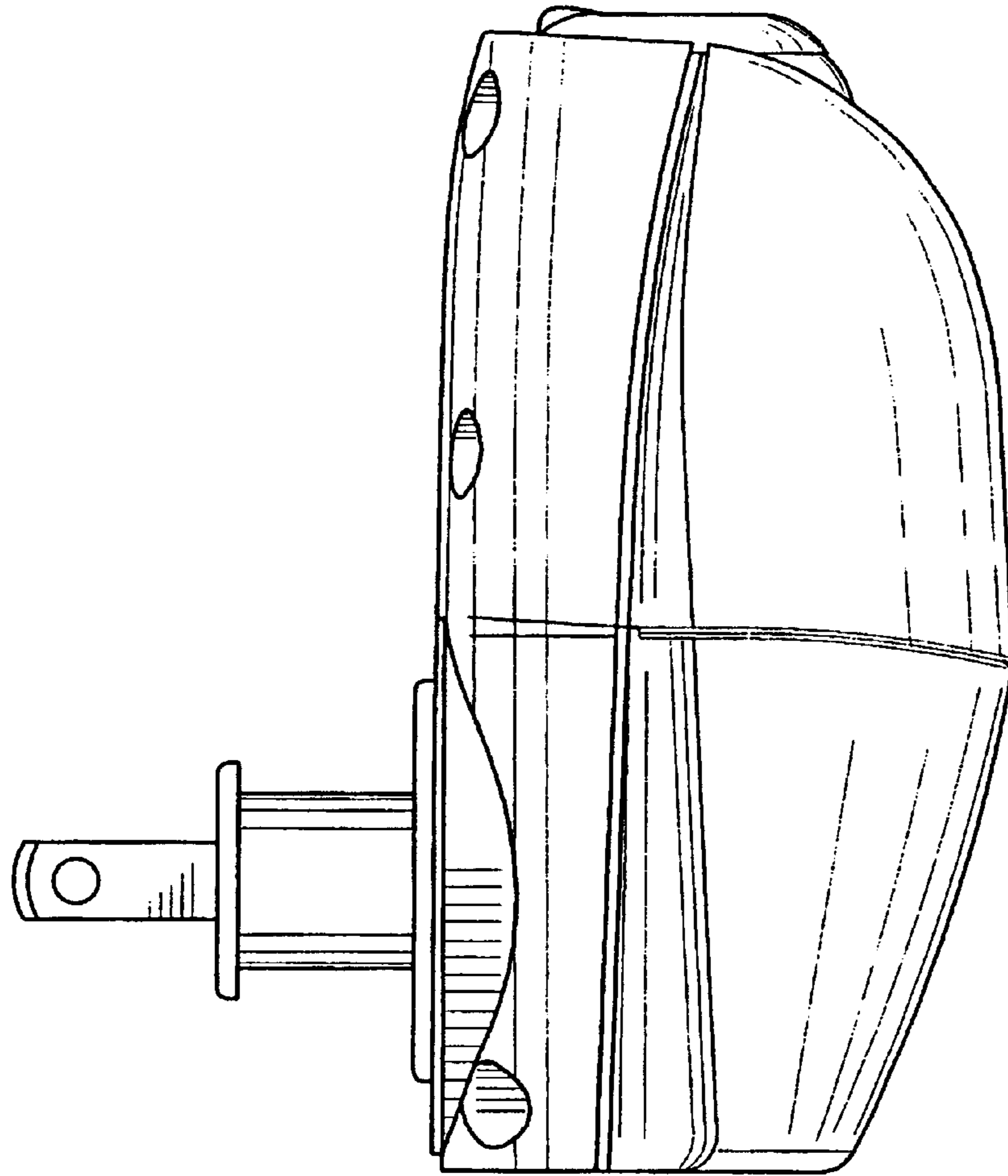


***FIG. 4***

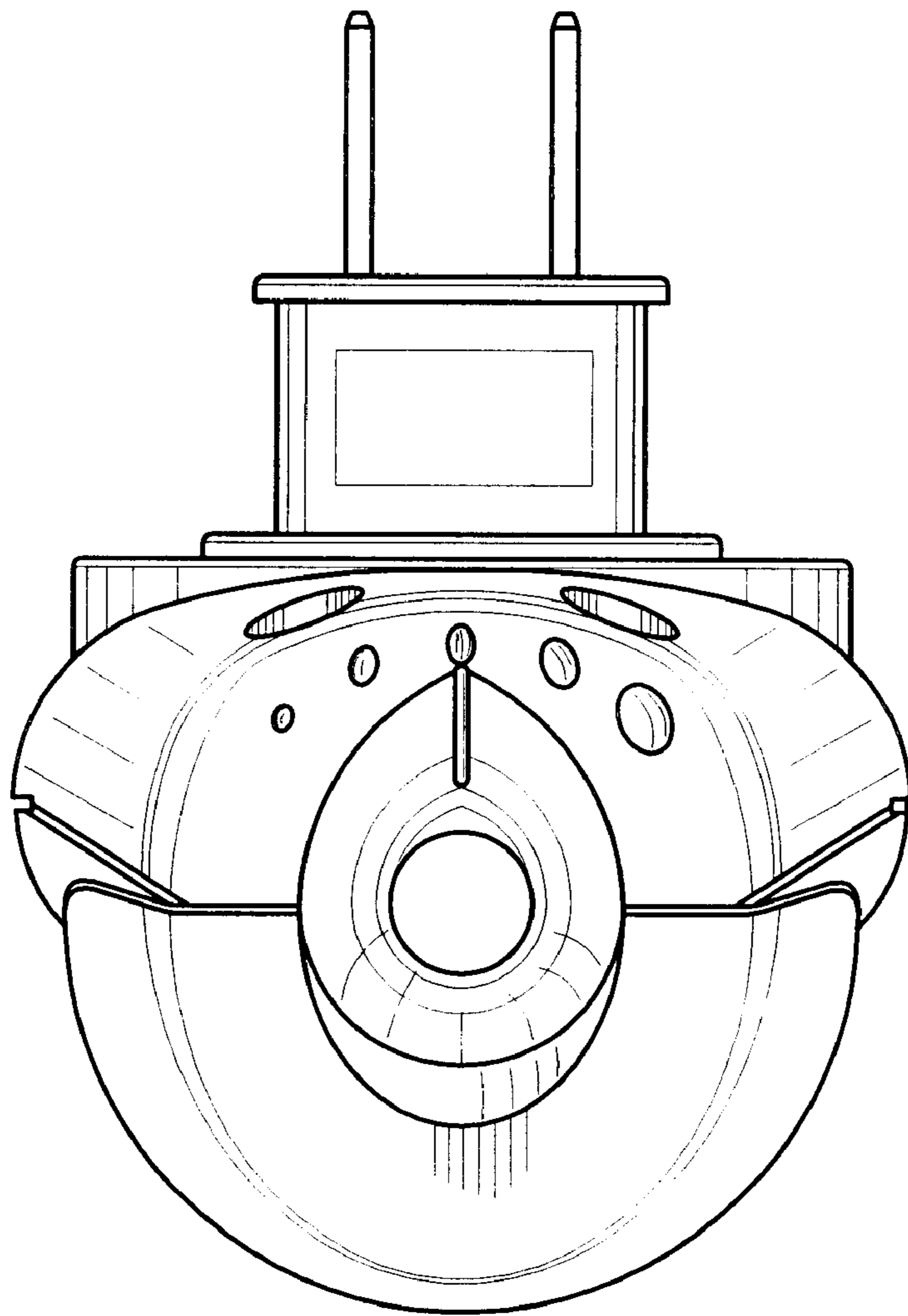


***FIG. 5***



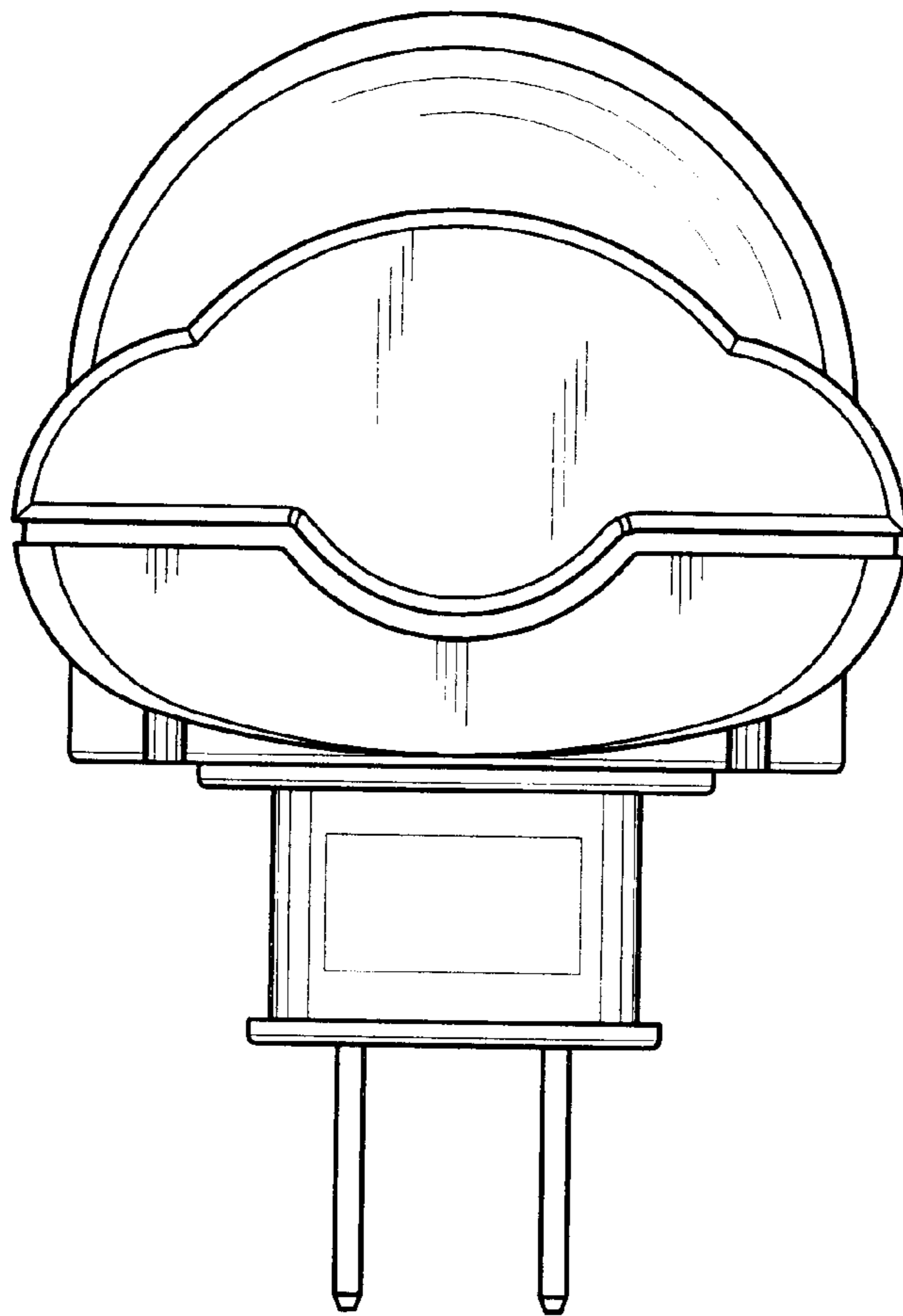


**FIG. 6**



***FIG. 7***





***FIG. 8***