

US00D510422S

(12) **United States Design Patent**  
**Schriner et al.**

(10) **Patent No.:** **US D510,422 S**  
(45) **Date of Patent:** **\*\* Oct. 4, 2005**

(54) **AIR FRESHENER HOUSING**

(75) Inventors: **Gregory Schriner**, Phoenix, AZ (US);  
**Shannon Navarette**, Phoenix, AZ (US);  
**Gilbert C. Schmidt**, Cincinnati, OH  
(US); **David L. Hunt**, Cincinnati, OH  
(US)

(73) Assignee: **The Dial Corporation**, Scottsdale, AZ  
(US)

(\*\*) Term: **14 Years**

(21) Appl. No.: **29/205,415**

(22) Filed: **May 12, 2004**

(51) **LOC (8) Cl.** ..... **23-04**

(52) **U.S. Cl.** ..... **D23/366**

(58) **Field of Search** ..... D23/356-369;  
392/390, 392, 394; 239/135, 136, 58; 261/DIG. 17,  
DIG. 65

(56) **References Cited**

**U.S. PATENT DOCUMENTS**

D357,330 S	*	4/1995	Wong et al.	.....	D26/51
D366,521 S	*	1/1996	Wijaranakula	.....	D23/366
D372,770 S	*	8/1996	Foreman	.....	D23/368
D395,146 S	*	6/1998	Miller et al.	.....	D23/364
D448,464 S	*	9/2001	Shin	.....	D23/359
D455,827 S	*	4/2002	Simons et al.	.....	D23/366
D488,214 S	*	4/2004	Quantin	.....	D23/366
D488,854 S	*	4/2004	Stauffer	.....	D23/364

\* cited by examiner

*Primary Examiner*—Antoine Duval Davis

*Assistant Examiner*—Sandra Snapp

(74) *Attorney, Agent, or Firm*—Snell & Wilmer LLP

(57) **CLAIM**

The ornamental design for an air freshener housing, as shown and described.

**DESCRIPTION**

FIG. 1 is a top perspective view of an air freshener housing showing an embodiment of our new design;

FIG. 2 is a side perspective view of the air freshener housing of FIG. 1;

FIG. 3 is a bottom perspective view of the air freshener housing of FIG. 1;

FIG. 4 is a front view of the air freshener housing of FIG. 1;

FIG. 5 is a back view of the air freshener housing of FIG. 1;

FIG. 6 is a right side view of the air freshener housing of FIG. 1;

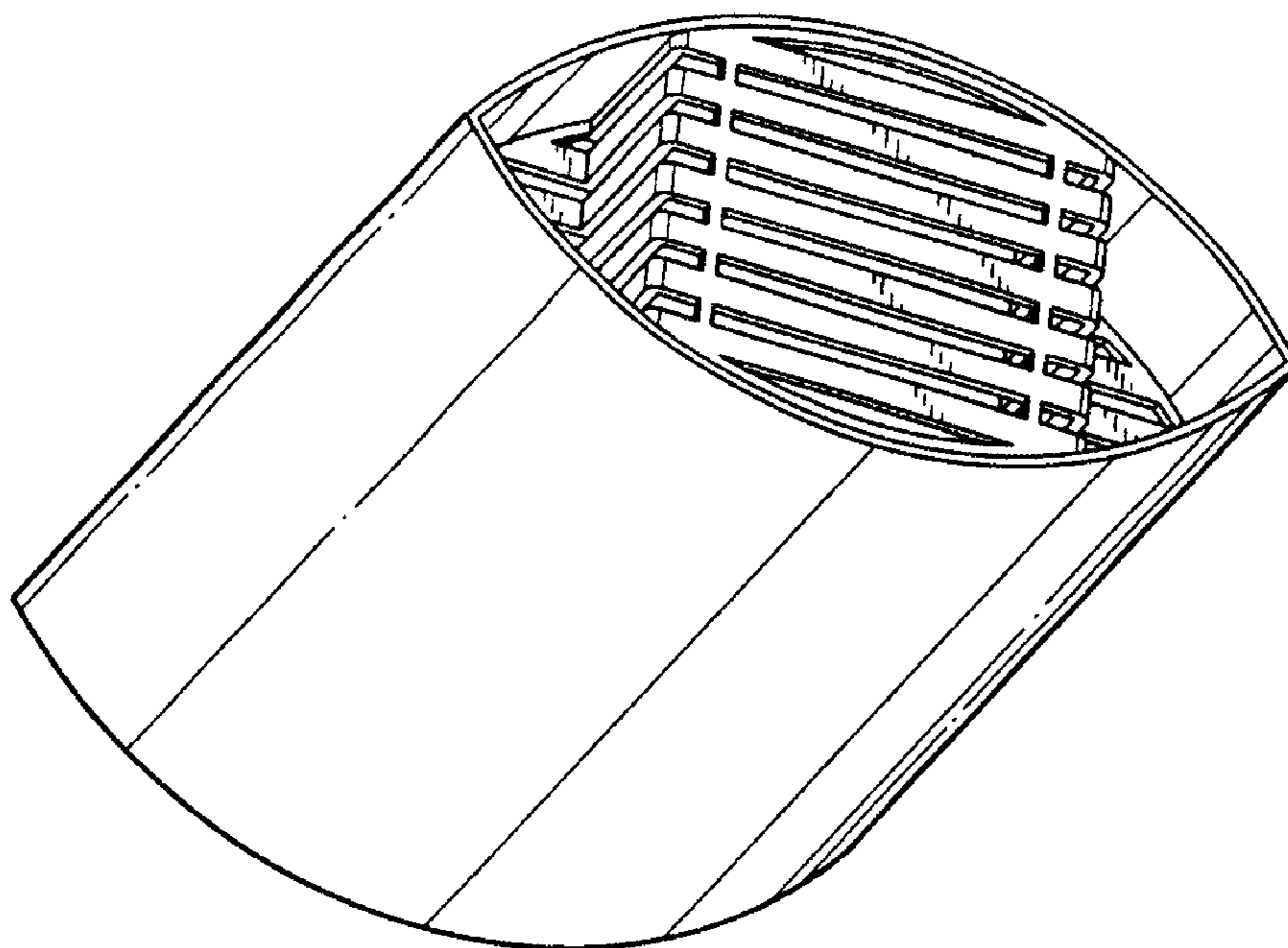
FIG. 7 is a left side view of the air freshener housing of FIG. 1;

FIG. 8 is a top view of the air freshener housing of FIG. 1; and,

FIG. 9 is a bottom view of the air freshener housing of FIG. 1.

The broken lines are for illustrative purposes only and form no part of the claimed design.

**1 Claim, 4 Drawing Sheets**



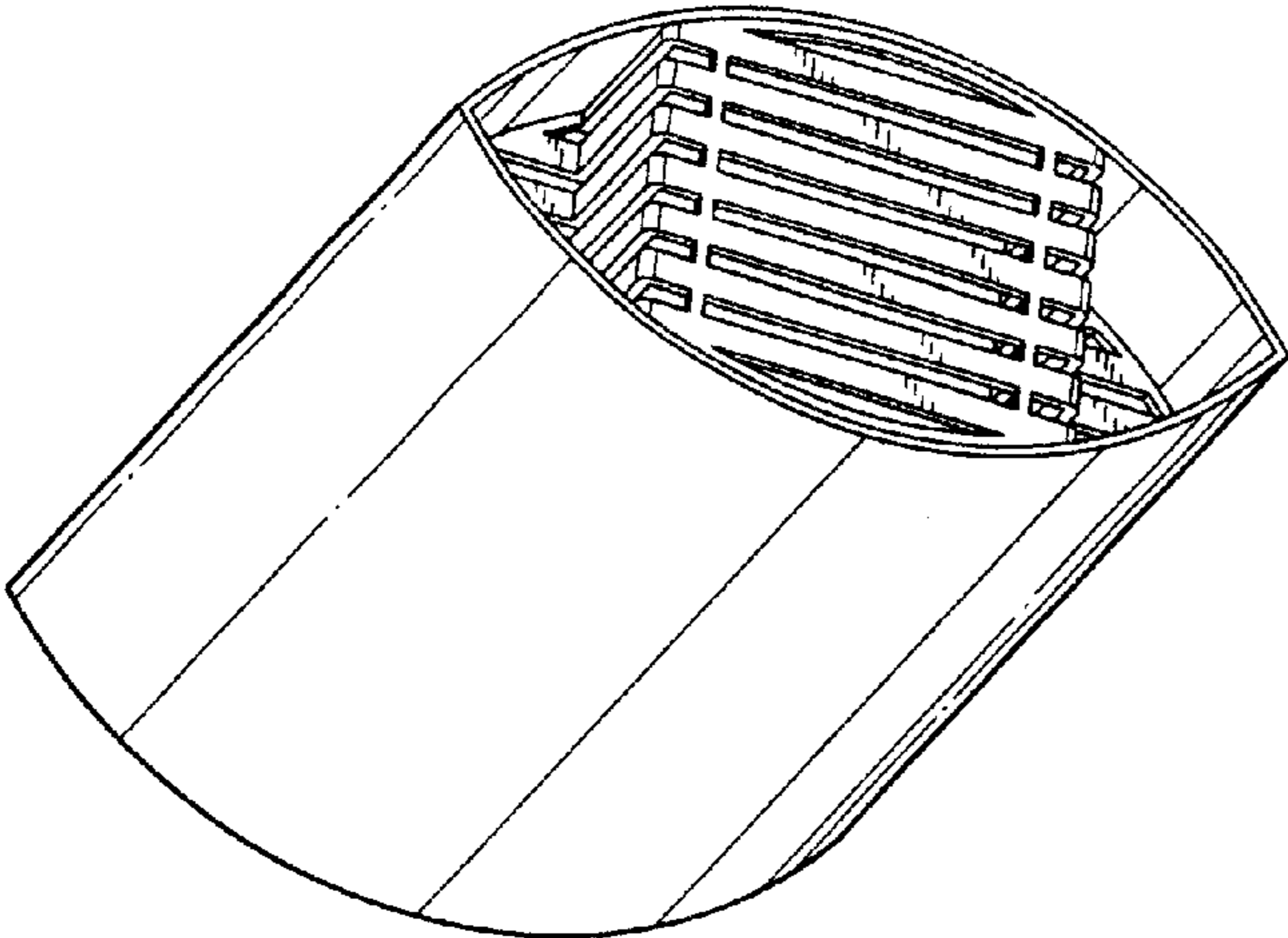


FIG.1

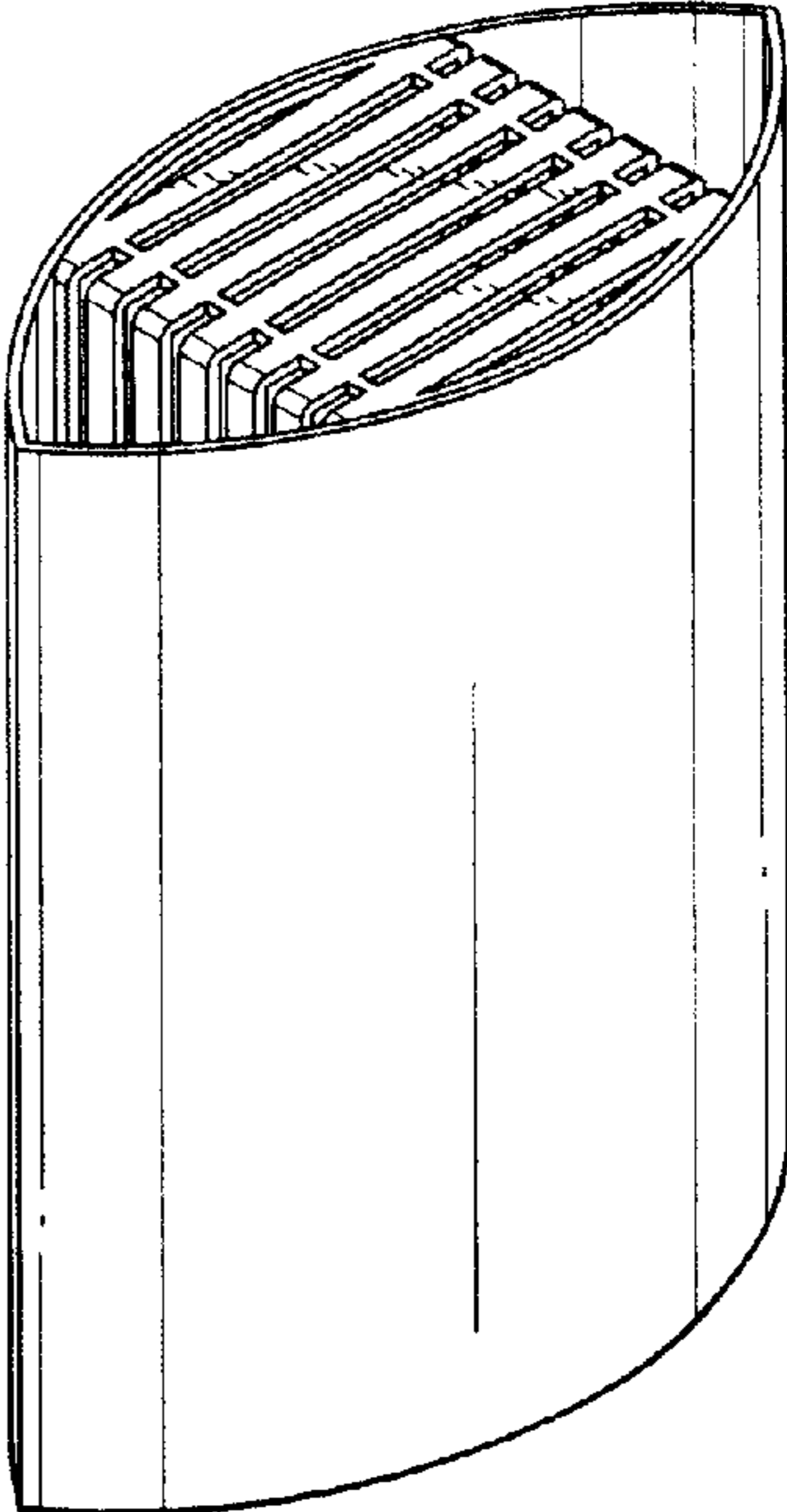


FIG.2

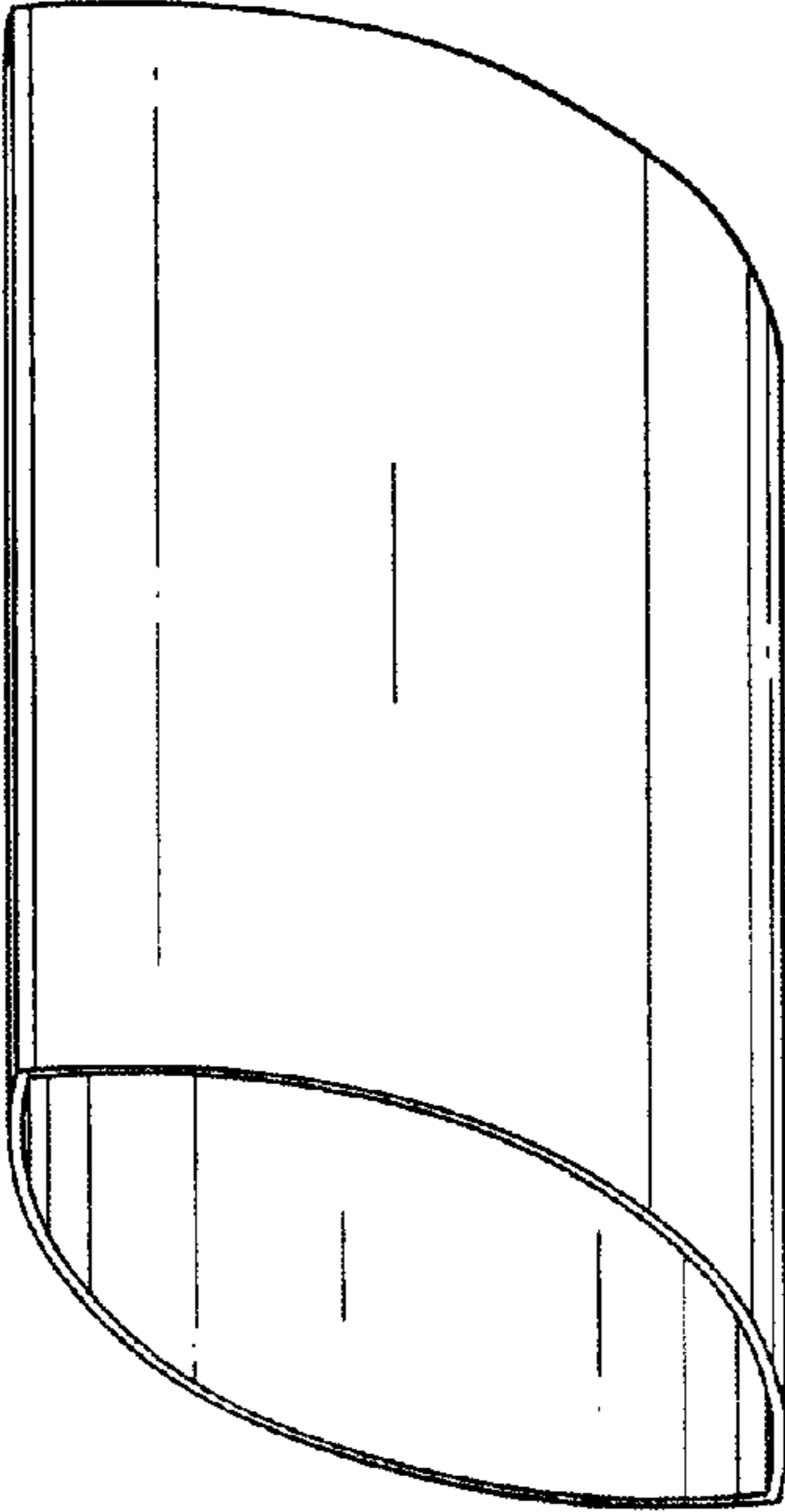


FIG.3

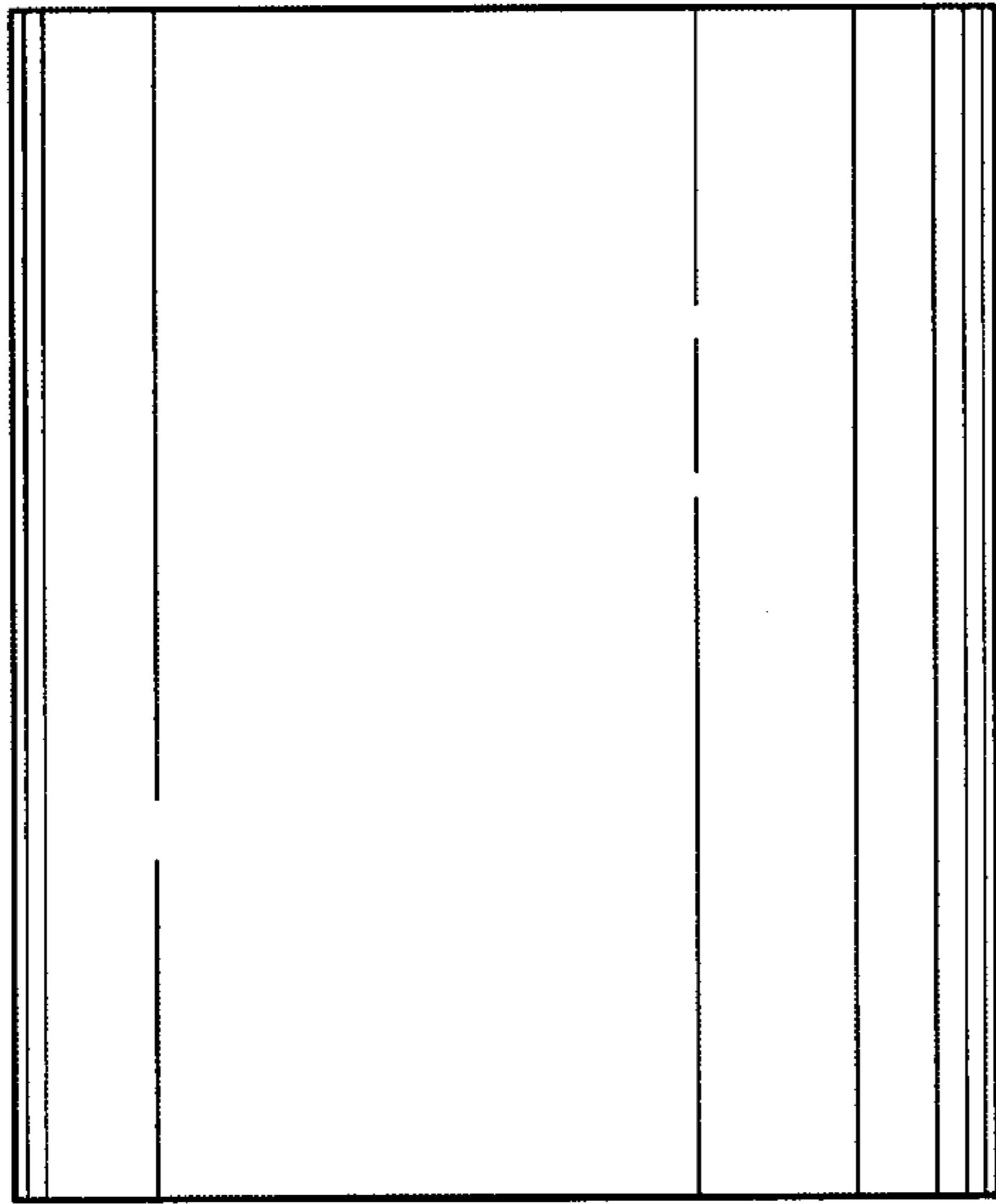


FIG.4

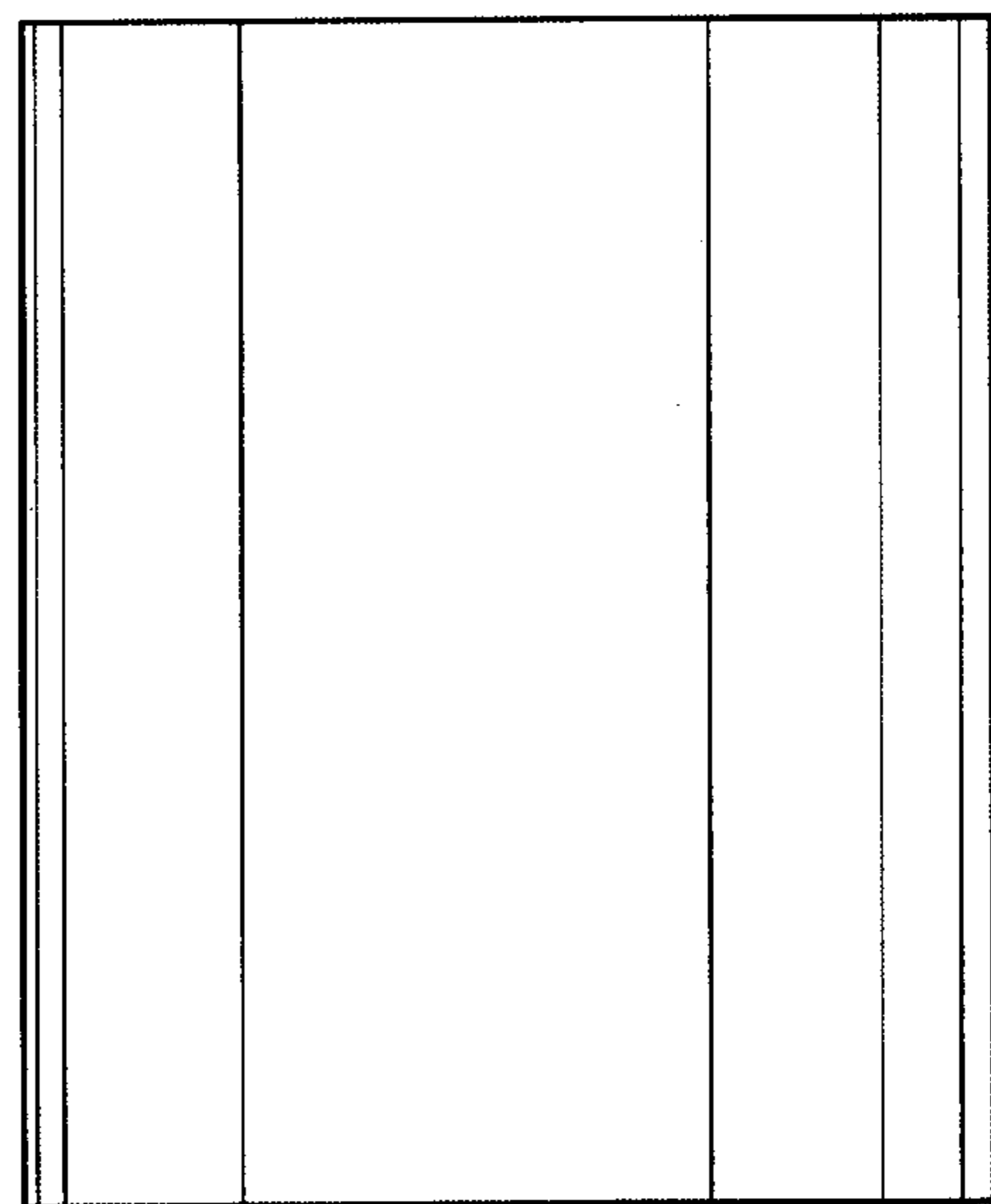


FIG.5

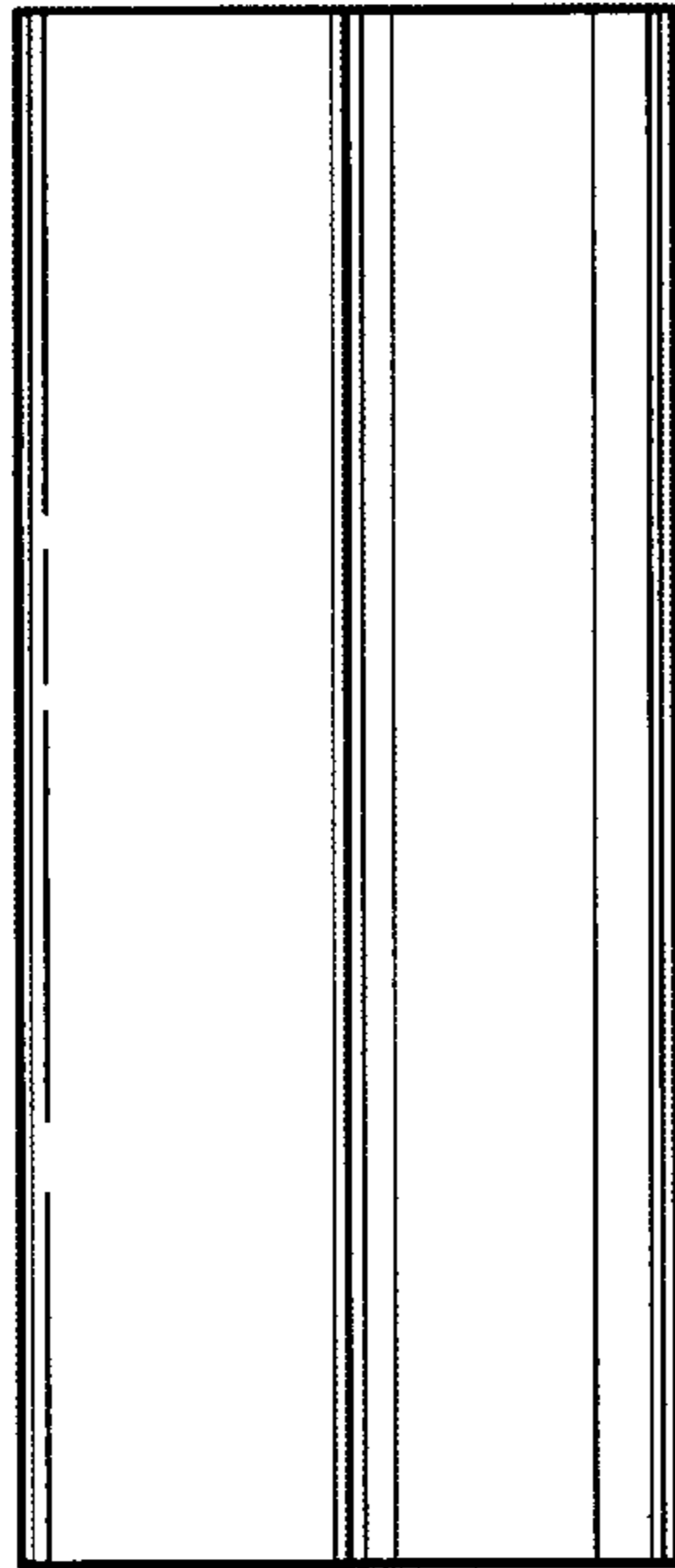


FIG. 6

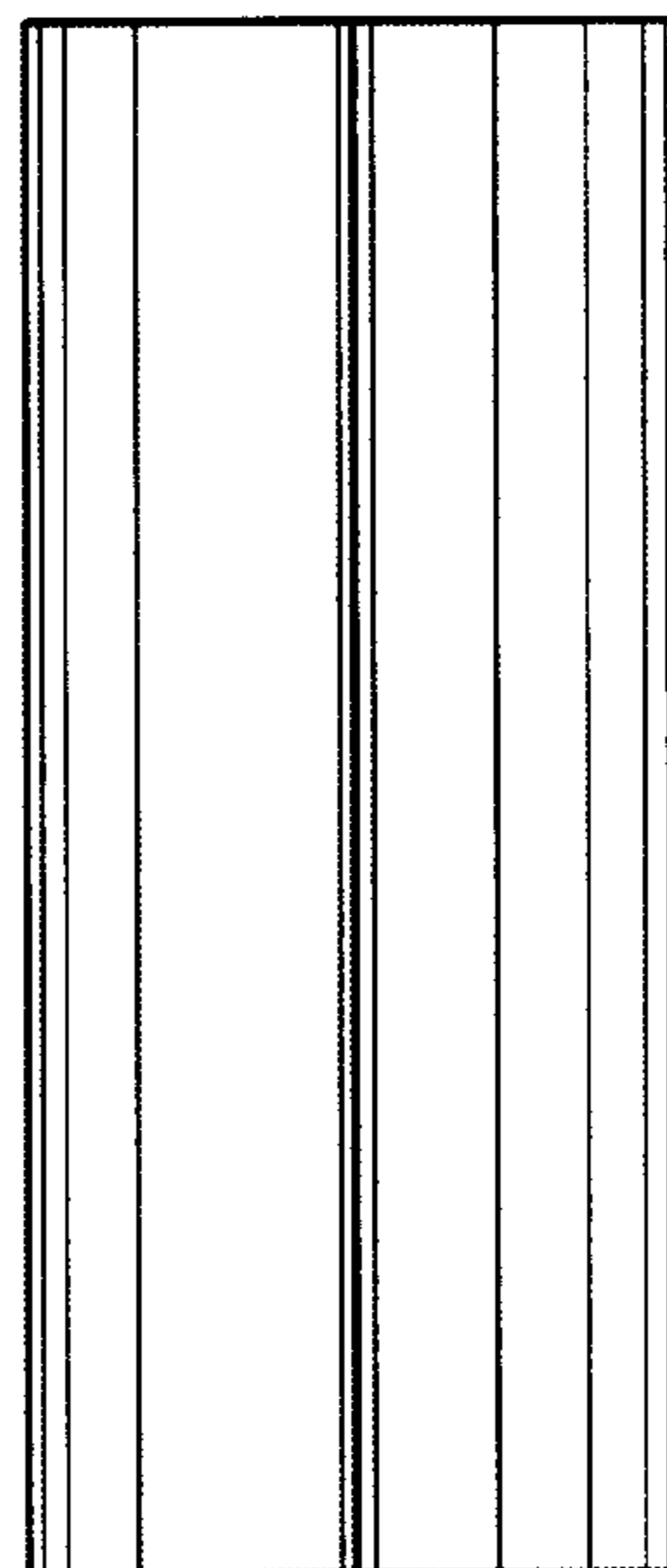


FIG. 7

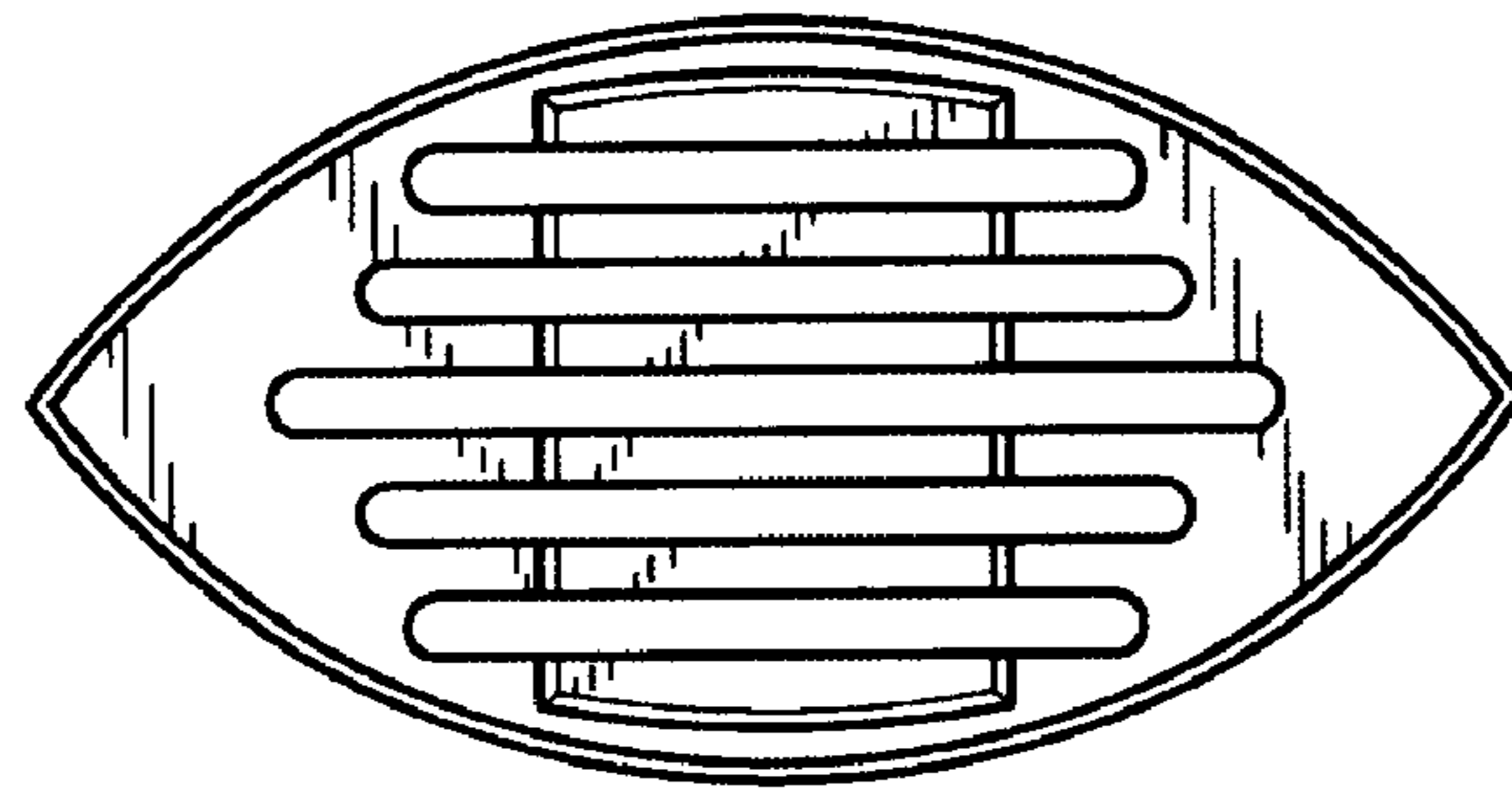


FIG. 8

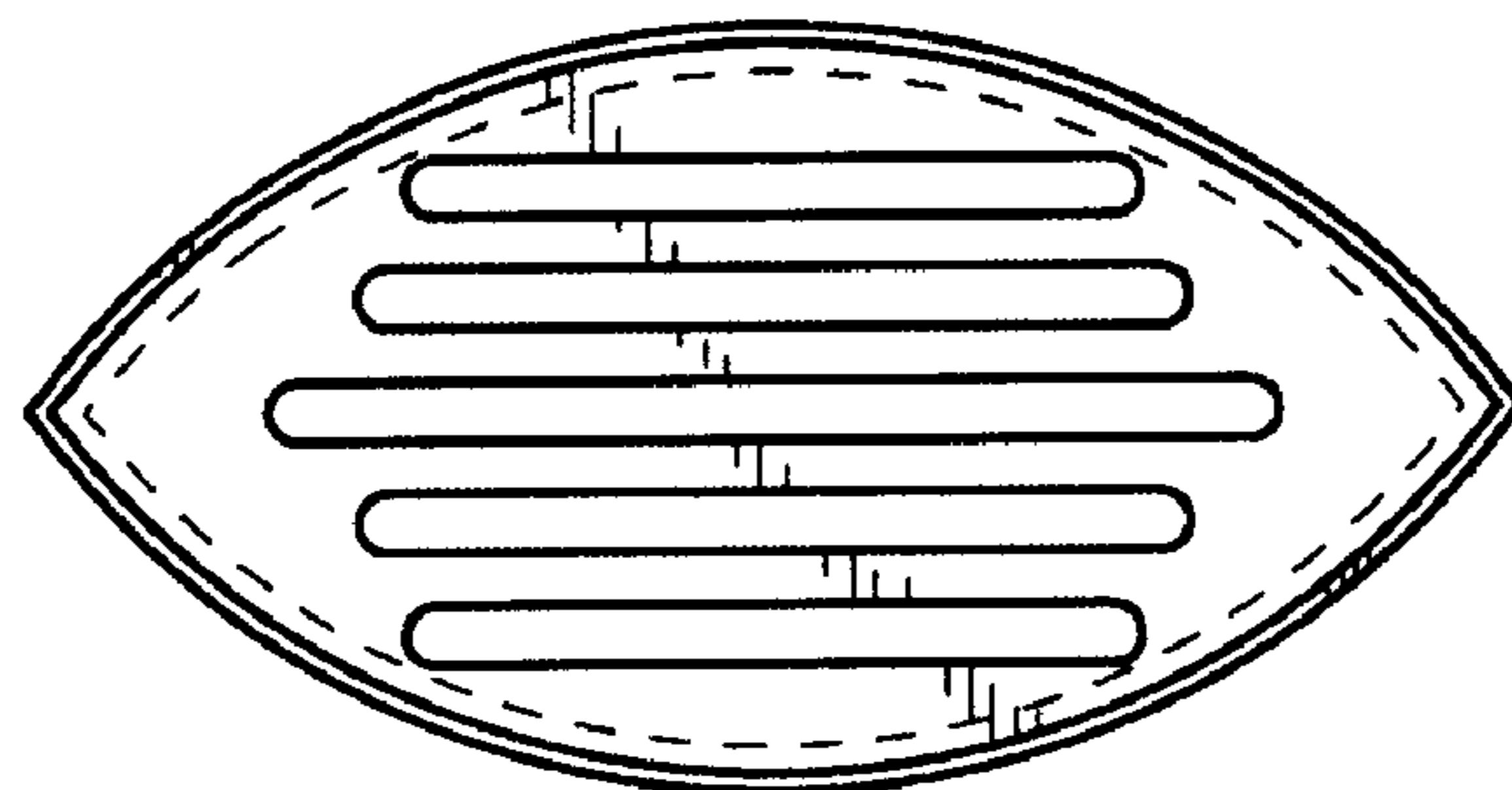


FIG. 9