



US00D510419S

(12) **United States Design Patent**  
**Chang**

(10) **Patent No.: US D510,419 S**

(45) **Date of Patent: \*\* Oct. 4, 2005**

(54) **TOILET**

(76) **Inventor: Ta Chun Chang**, 22, Chien-Kuo Rd.,  
Taichung Export Processing Zone,  
Taichung Country (TW), 427

(\*\*) **Term: 14 Years**

(21) **Appl. No.: 29/200,887**

(22) **Filed: Mar. 8, 2004**

(51) **LOC (8) Cl. .... 23-02**

(52) **U.S. Cl. .... D23/301**

(58) **Field of Search** ..... D23/270, 273-274,  
D23/295-299, 301, 303, 309; 4/663-664,  
300, 329, 420, 661, 443-444, 449, 459,  
460, 905, 465, DIG. 15

(56) **References Cited**

**U.S. PATENT DOCUMENTS**

D87,137 S	*	6/1932	Tilden	.....	D23/313
D108,018 S	*	1/1938	Norris	.....	D23/313
D221,652 S	*	8/1971	Harvey	.....	D23/295
D284,303 S	*	6/1986	Yvetot	.....	D23/301

4,712,256 A	*	12/1987	Stairs, Jr.	.....	4/661
D310,119 S	*	8/1990	Kohler et al.	.....	D23/301
D315,017 S	*	2/1991	Lenclos	.....	D23/301
D349,156 S	*	7/1994	Kohler et al.	.....	D23/301

\* cited by examiner

*Primary Examiner*—Robert A. Delehanty

(74) *Attorney, Agent, or Firm*—Troxell Law Office PLLC

(57) **CLAIM**

I claim the ornamental design for a toilet, as shown and described.

**DESCRIPTION**

FIG. 1 is a perspective view of a toilet showing our new design;

FIG. 2 is a front side elevation view thereof;

FIG. 3 is a rear side elevation view thereof;

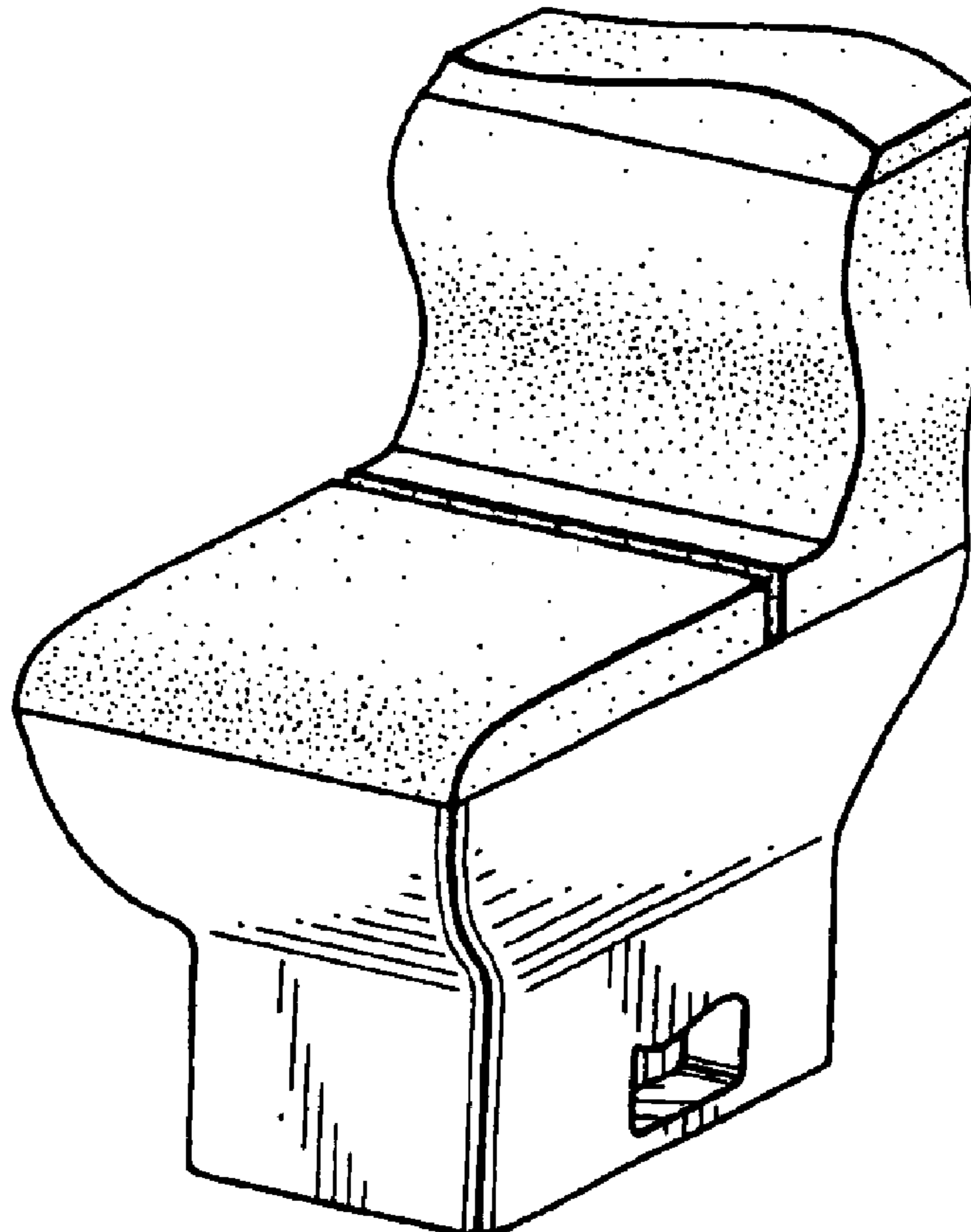
FIG. 4 is a left side elevation view thereof;

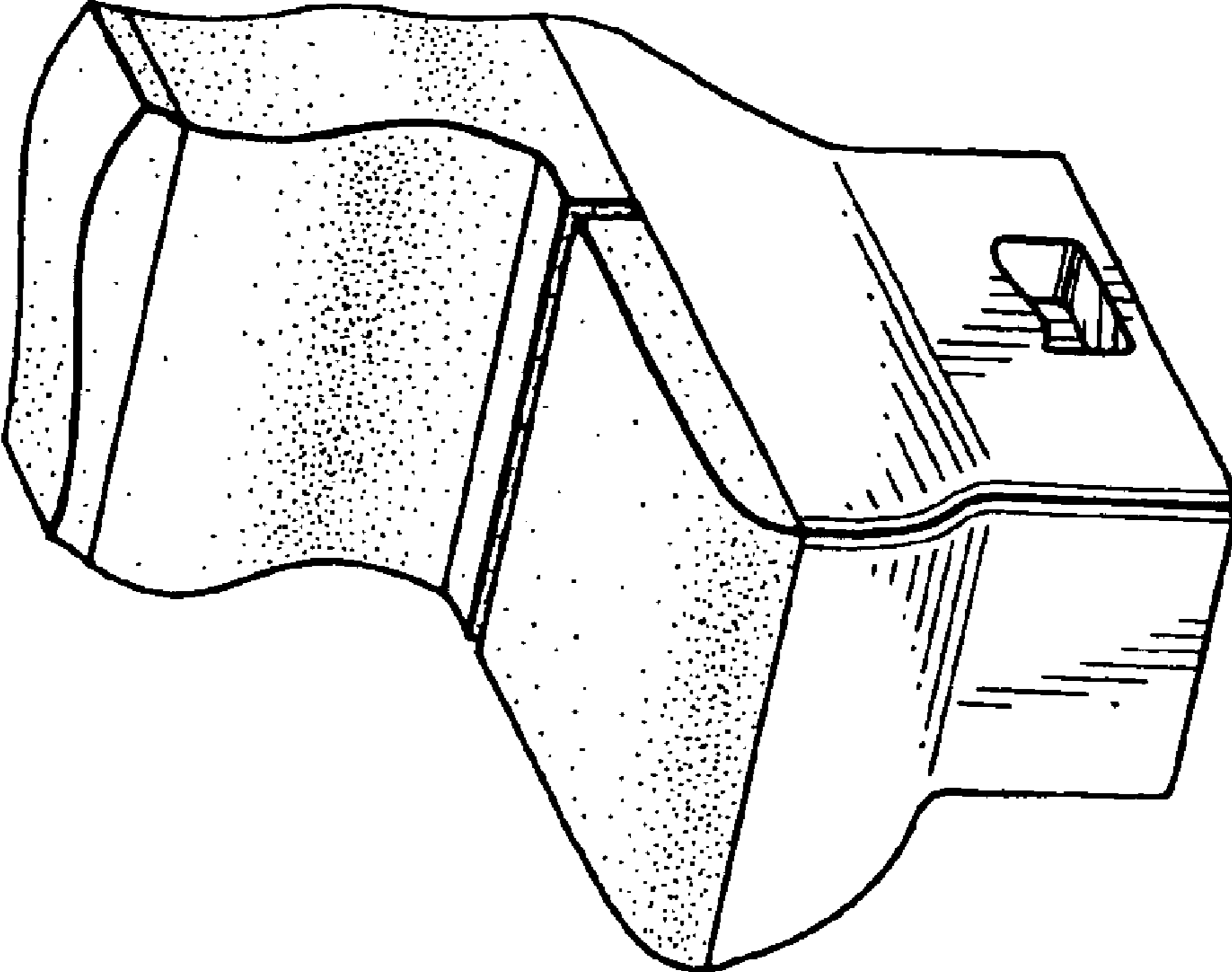
FIG. 5 is a right side elevation view thereof;

FIG. 6 is a top plan view thereof; and,

FIG. 7 is a bottom plan view thereof.

**1 Claim, 4 Drawing Sheets**





**FIG. 1**

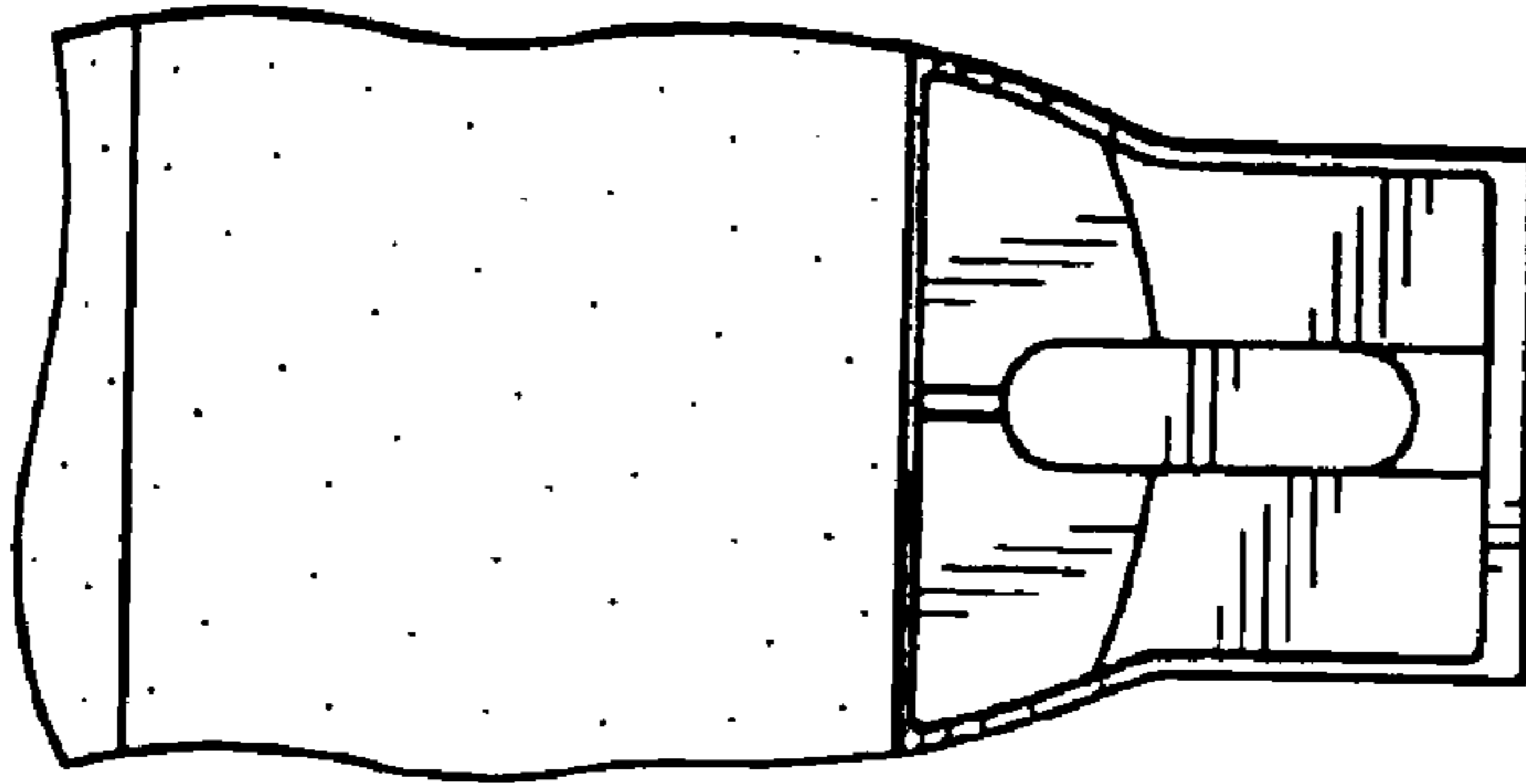


FIG. 2

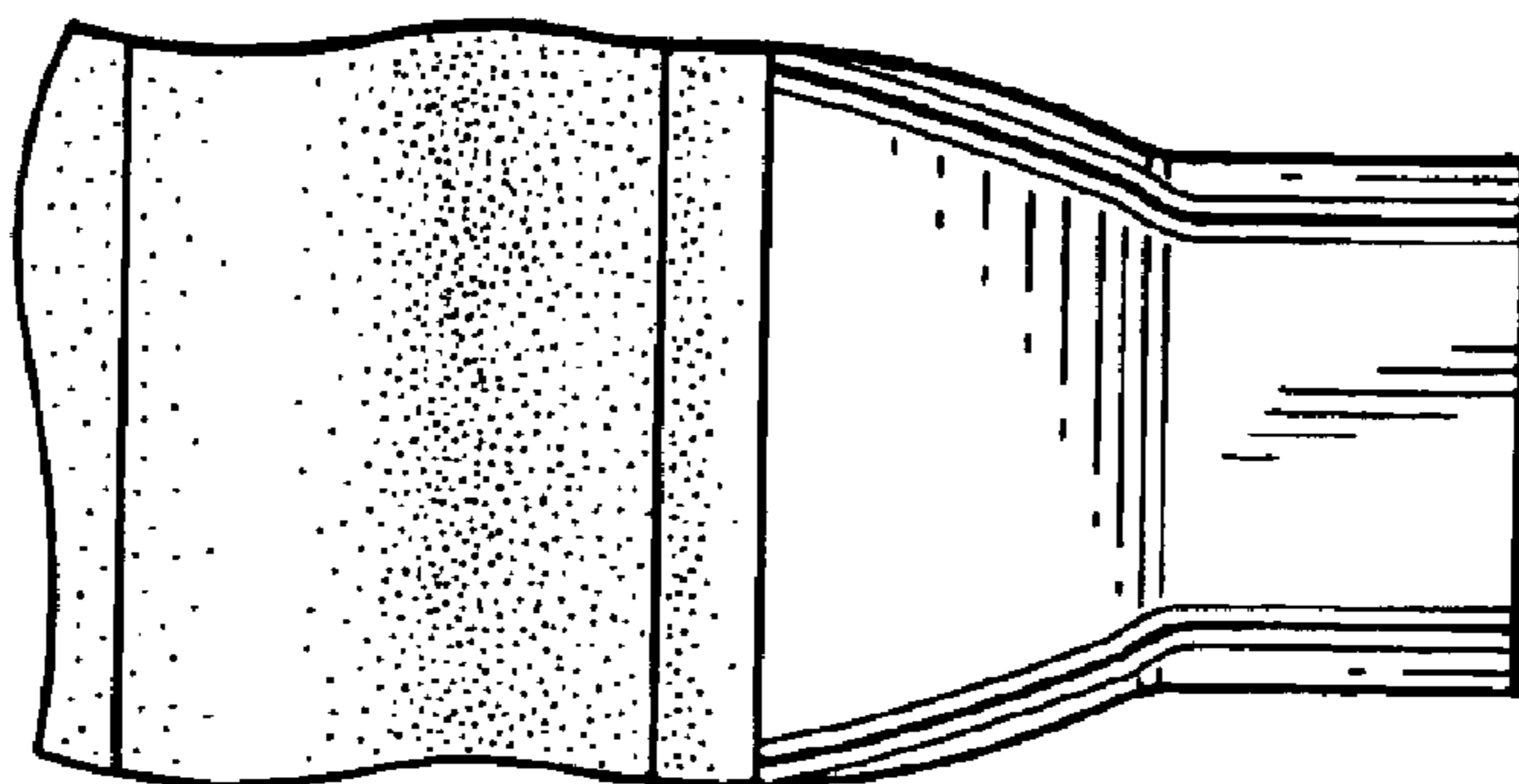


FIG. 3

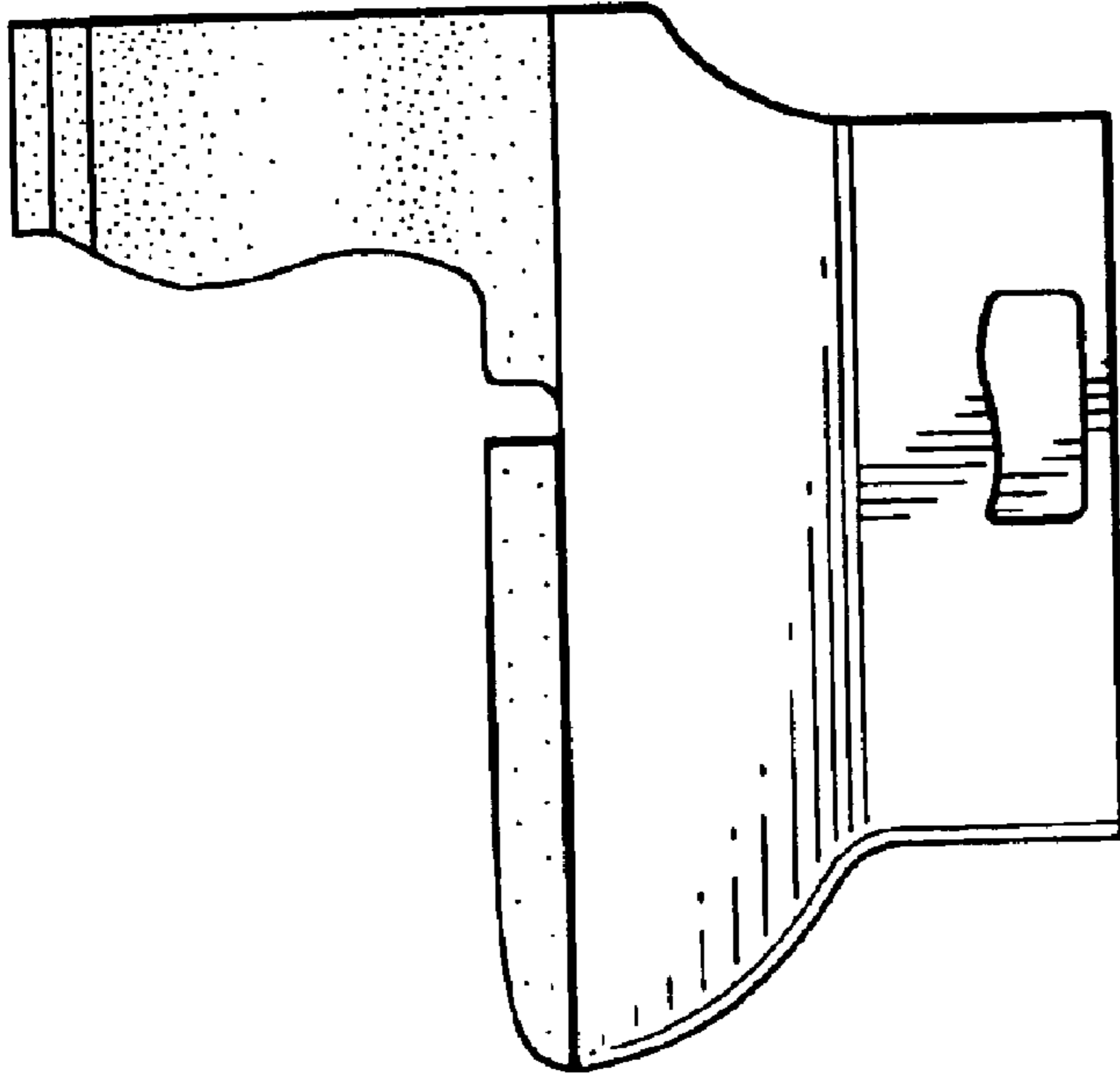


FIG. 5

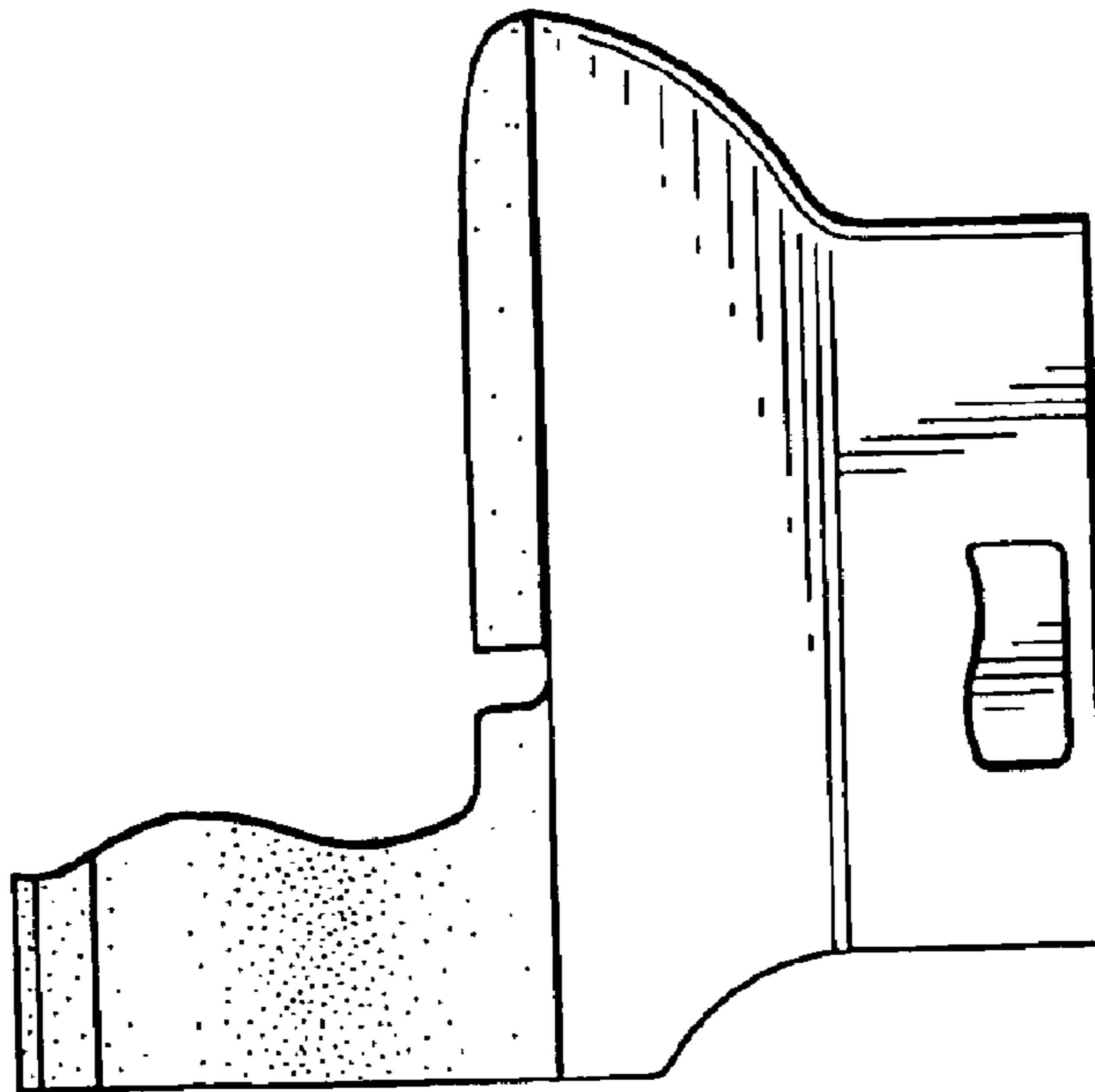


FIG. 4

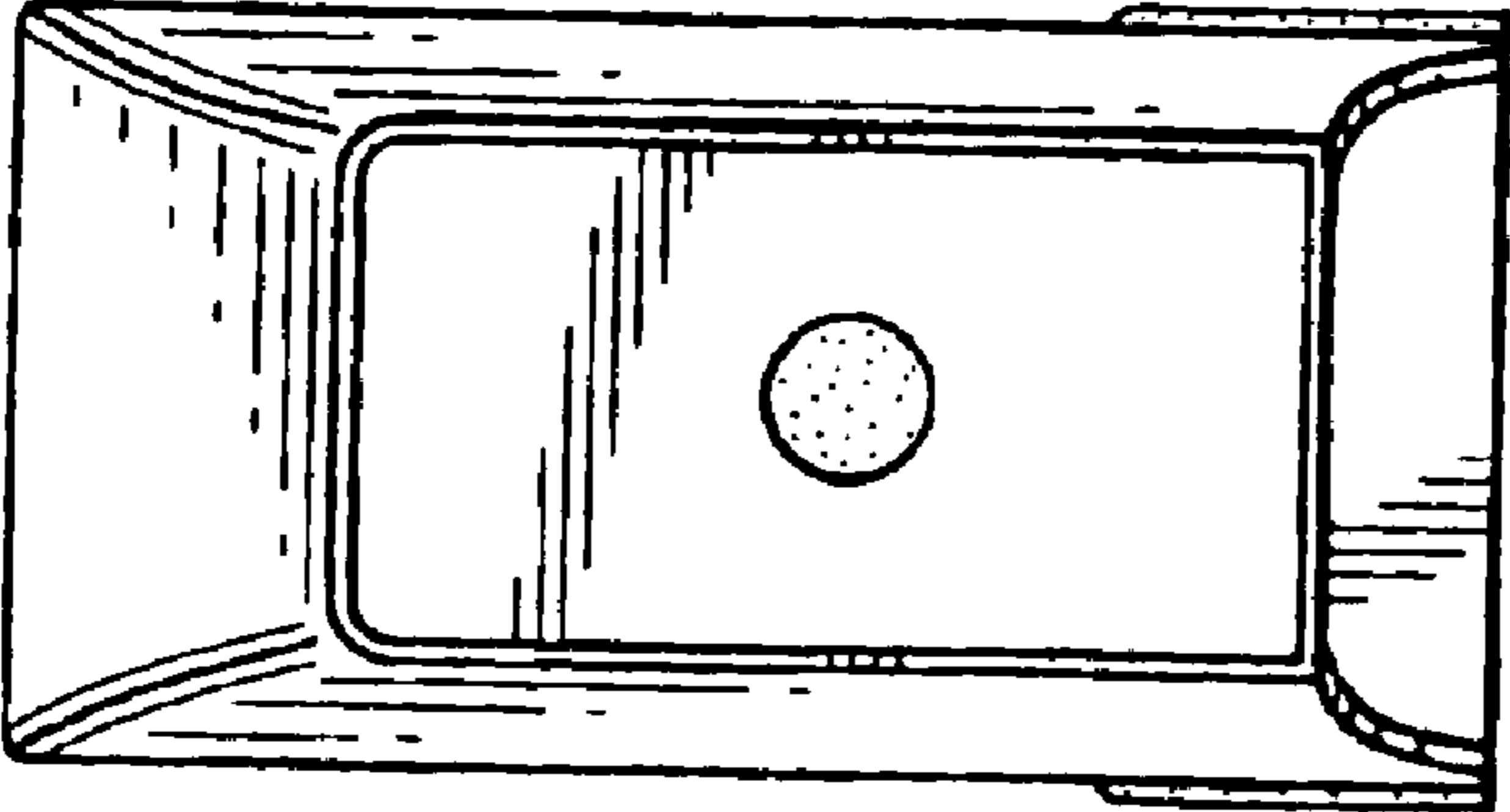


FIG. 7

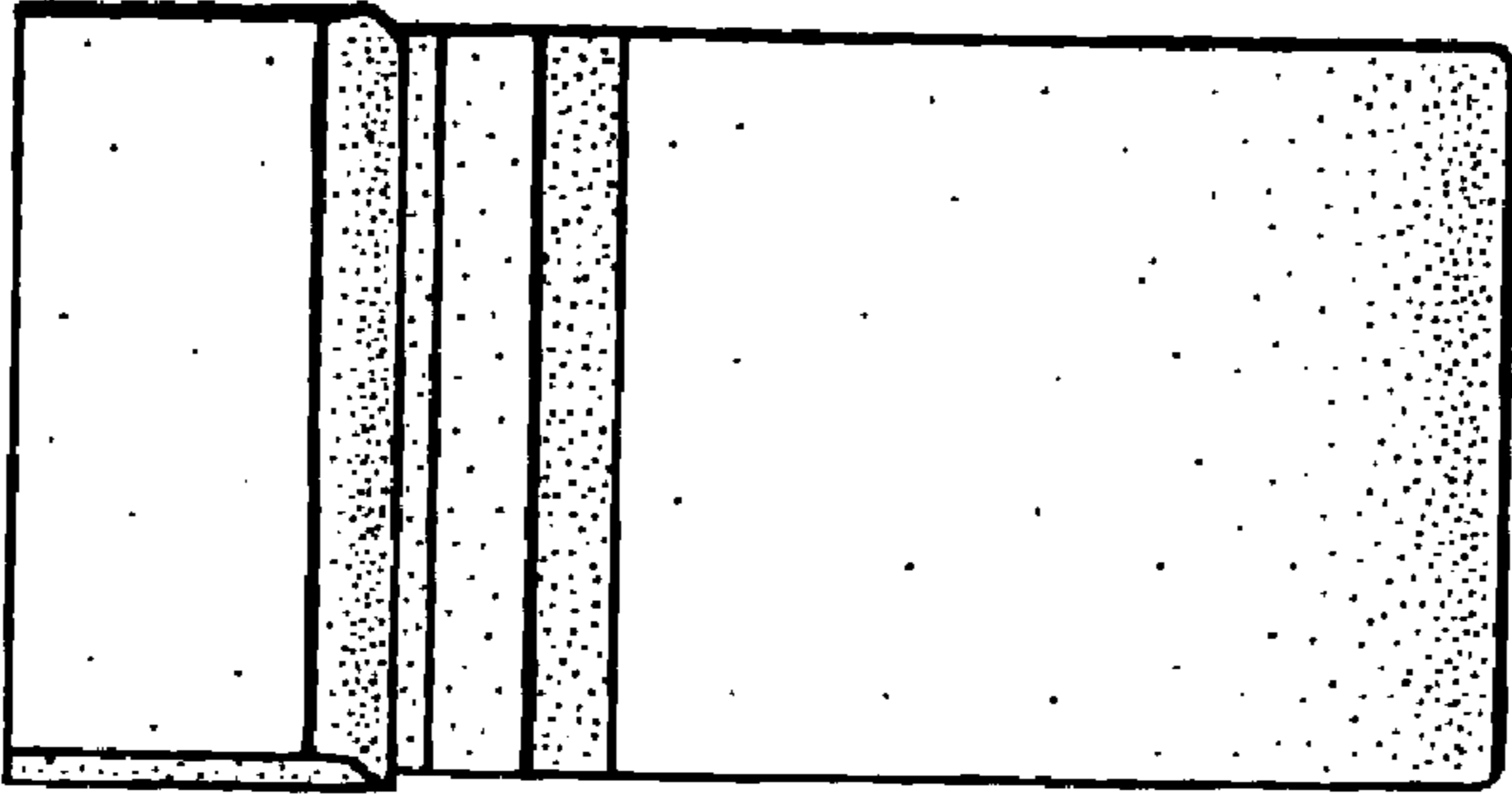


FIG. 6