



US00D510410S

(12) **United States Design Patent**
Jsensn

(10) **Patent No.:** **US D510,410 S**

(45) **Date of Patent:** **** Oct. 4, 2005**

(54) **FAUCET ASSEMBLY**

D466,977 S * 12/2002 Cummings D23/238

(75) **Inventor:** **Jakob Jsensn, Odense S (DK)**

* cited by examiner

(73) **Assignee:** **Damixa A/S (DK)**

Primary Examiner—Louis S. Zarfes

Assistant Examiner—Gregory Andoll

(**) **Term:** **14 Years**

(74) *Attorney, Agent, or Firm*—Kwadjo Adusei-Poku;
Lloyd D. Doigan

(21) **Appl. No.:** **29/189,807**

(57) **CLAIM**

(22) **Filed:** **Sep. 11, 2003**

The ornamental design for a faucet assembly, as shown and described.

(30) **Foreign Application Priority Data**

Mar. 12, 2003 (DK) 2003 00189

DESCRIPTION

(51) **LOC (8) Cl.** **23-01**

FIG. 1 is a front perspective view of a faucet assembly showing my new design;

(52) **U.S. Cl.** **D23/238**

FIG. 2 is a front elevational view thereof;

(58) **Field of Search** D23/238–257;

FIG. 3 is a right side elevational view thereof;

4/675–687; 137/807, 615

FIG. 4 is a left side elevational view thereof;

FIG. 5 is a top plan view thereof; and,

FIG. 6 is a bottom plan view thereof.

The broken lines in the Figures are for illustrative purposes only and form no part of the claimed design.

(56) **References Cited**

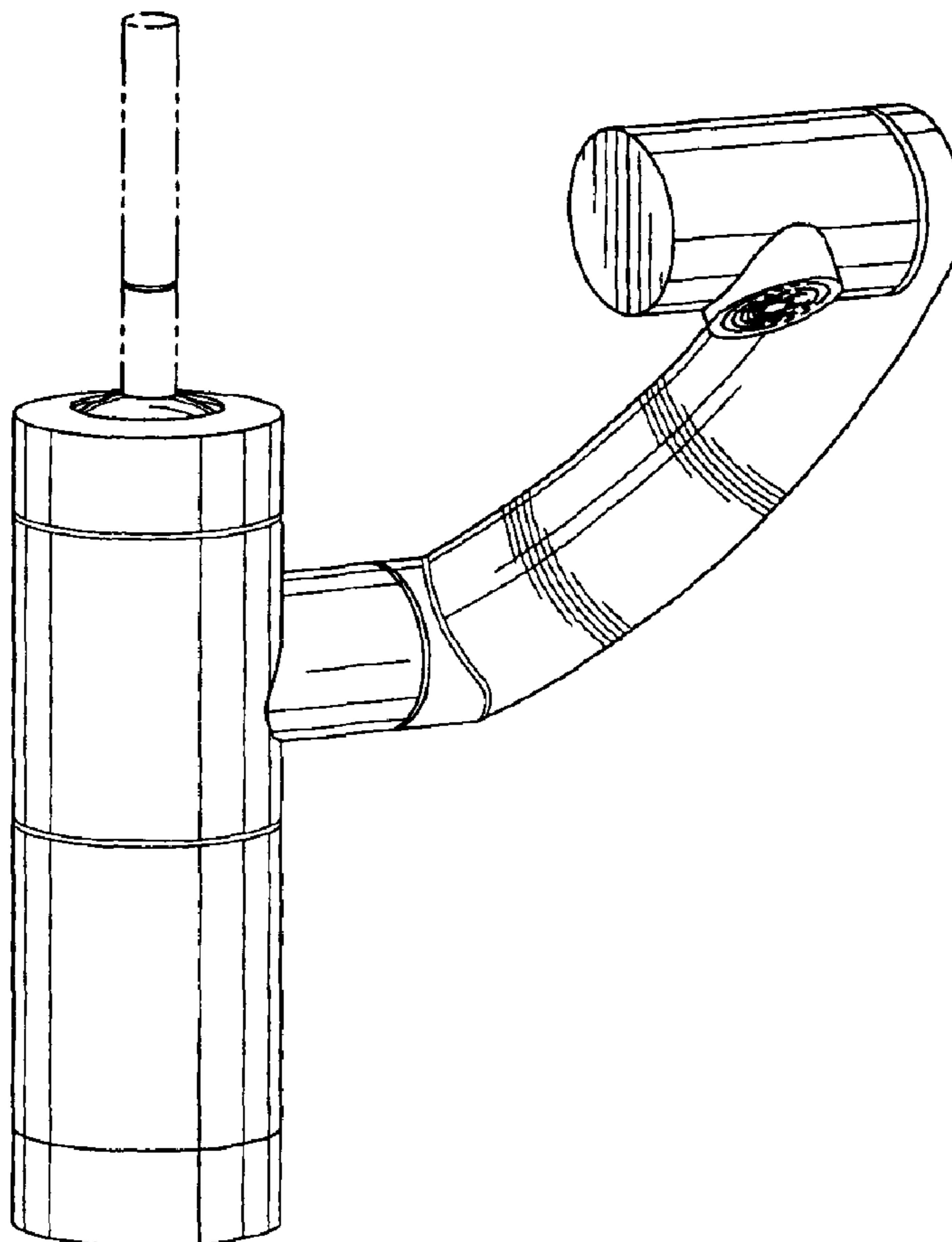
U.S. PATENT DOCUMENTS

D313,835 S * 1/1991 Knapp D23/238

D315,397 S * 3/1991 Knapp D23/238

D363,763 S * 10/1995 Starck D23/243

1 Claim, 2 Drawing Sheets



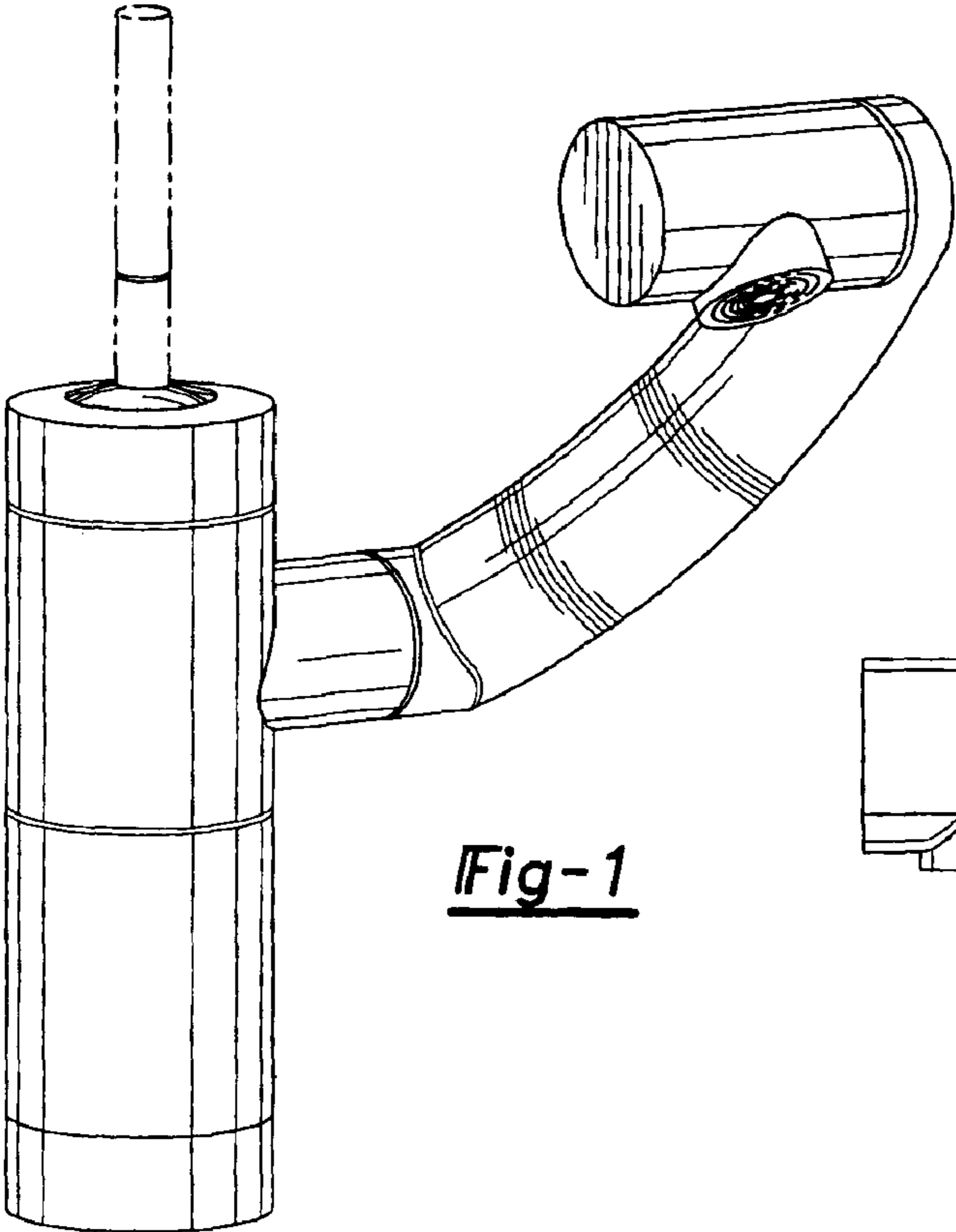


Fig-1

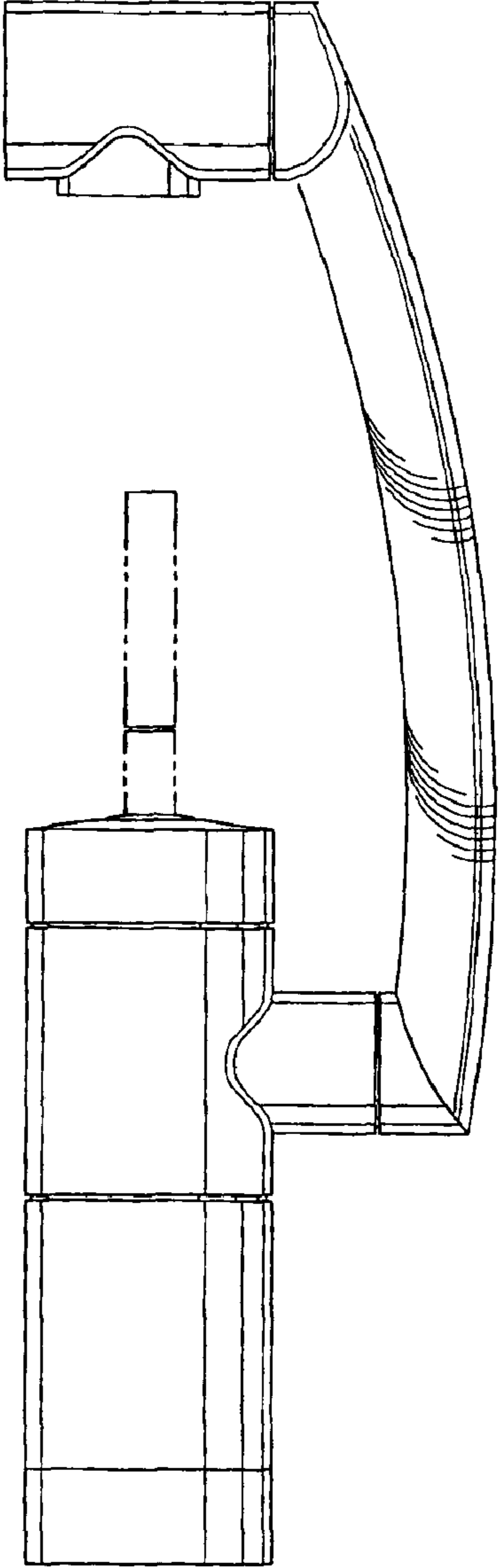


Fig-2

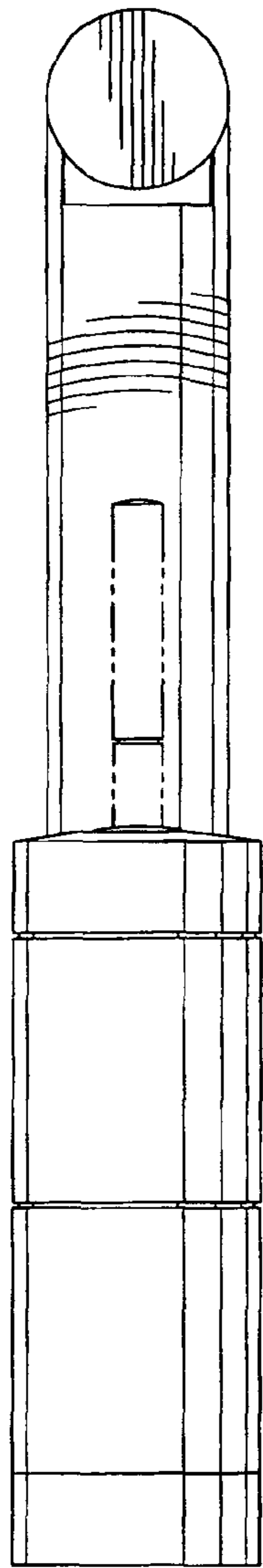


Fig-3

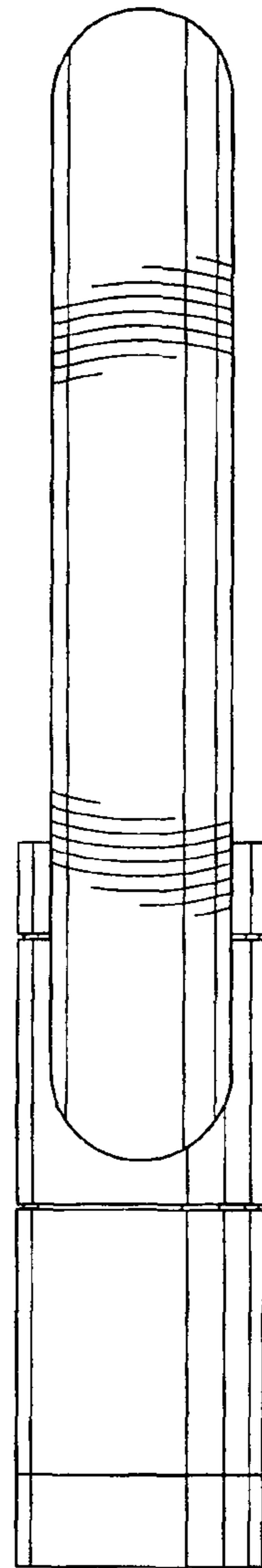


Fig-4

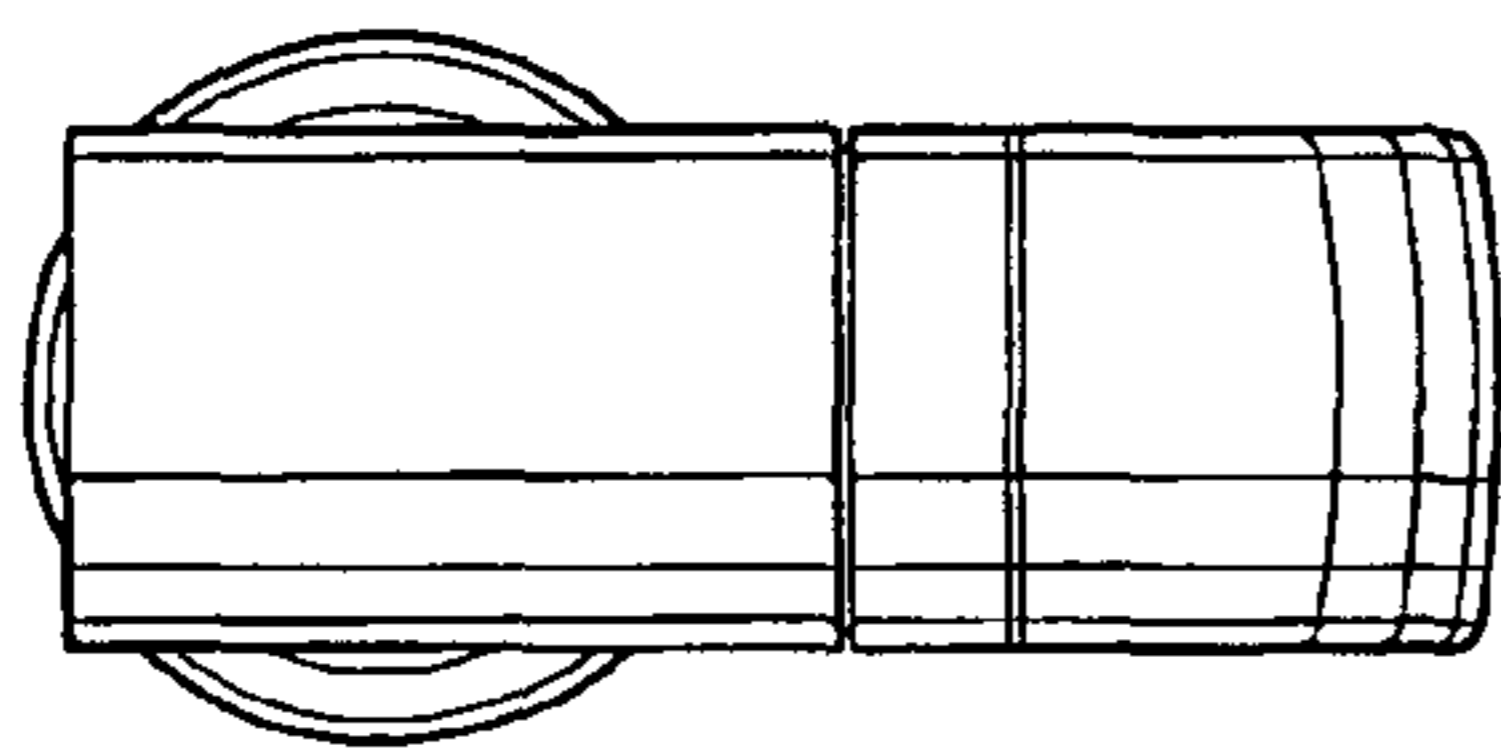


Fig-5

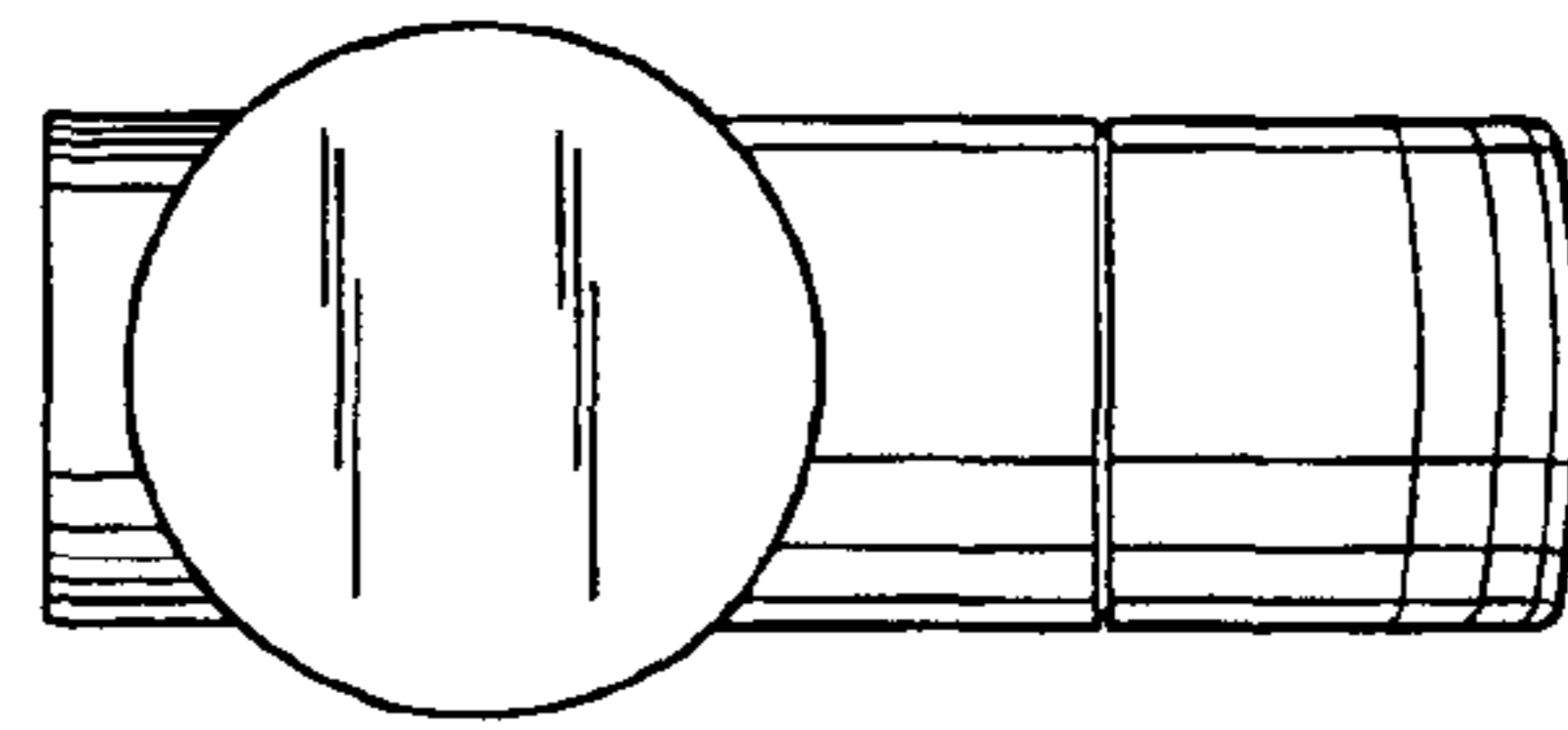


Fig-6