



US00D510409S

(12) **United States Design Patent**
Xiang et al.

(10) **Patent No.: US D510,409 S**

(45) **Date of Patent: ** Oct. 4, 2005**

(54) **SHOWERHEAD**

D411,608 S * 6/1999 Fan D23/229
D492,007 S * 6/2004 Kollmann et al. D23/229

(75) Inventors: **Wang Xiang**, Taichung (TW); **Tan Wan-Hong**, Taichung (TW)

* cited by examiner

(73) Assignee: **Globe Union Industrial Corp.**, Taichung (TW)

Primary Examiner—Robin V. Taylor
(74) *Attorney, Agent, or Firm*—Troxell Law Office, PLLC

(**) Term: **14 Years**

(57) **CLAIM**

The ornamental design for showerhead, as show and described.

(21) Appl. No.: **29/204,519**

(22) Filed: **Apr. 30, 2004**

DESCRIPTION

(51) **LOC (8) Cl.** **23-01**

(52) **U.S. Cl.** **D23/229; D23/213**

(58) **Field of Search** D23/213, 229,
D23/230; 239/282, 283

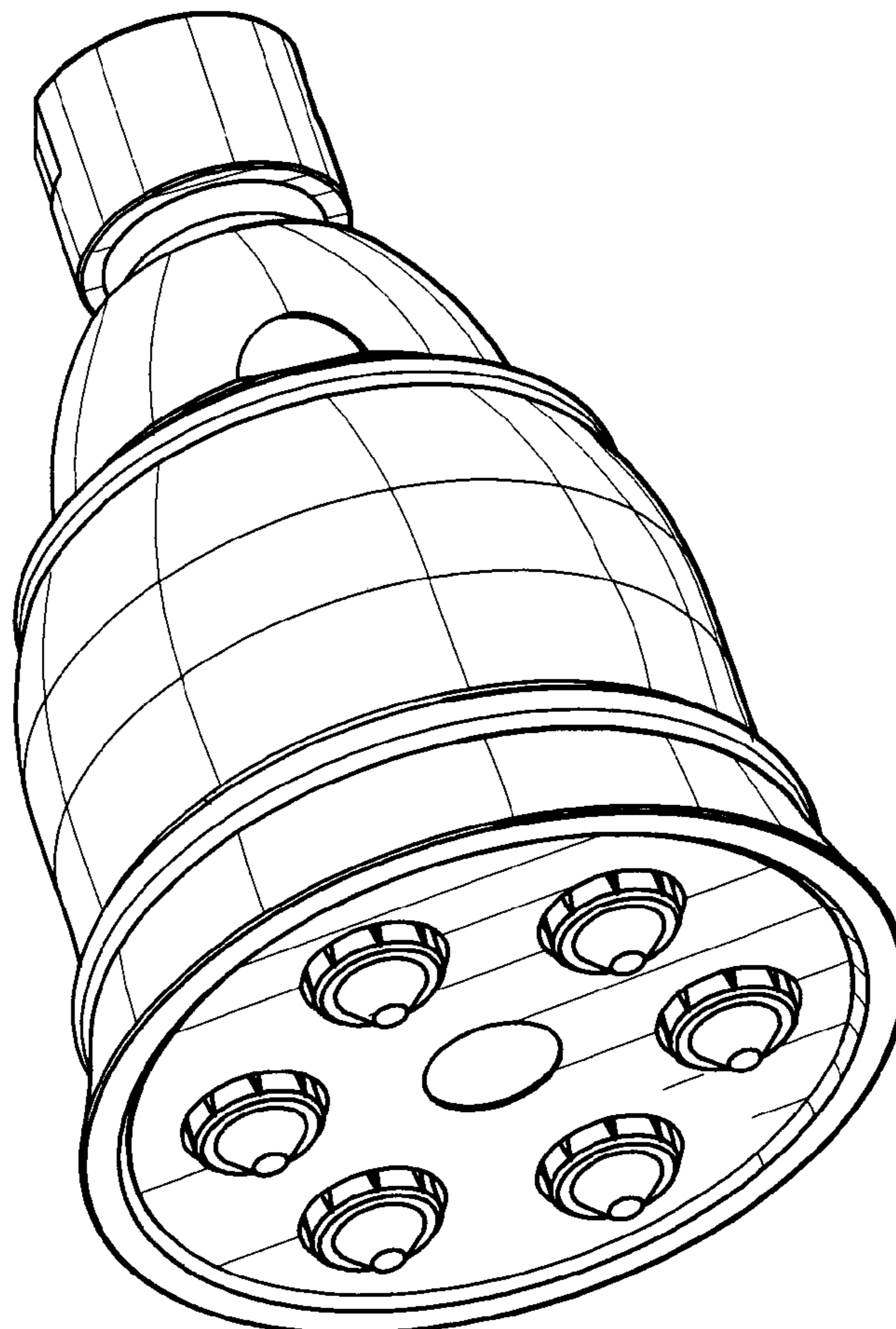
FIG. 1 is a top, left, front, perspective view of showerhead showing my new design;
FIG. 2 is a front elevational view thereof;
FIG. 3 is a rear elevational view thereof;
FIG. 4 is a left elevational view thereof;
FIG. 5 is a right elevational view thereof;
FIG. 6 is a top plan view thereof; and,
FIG. 7 is a bottom plan view thereof.

(56) **References Cited**

U.S. PATENT DOCUMENTS

D188,644 S * 8/1960 Kohler D23/229
D290,497 S * 6/1987 Huen D23/229

1 Claim, 4 Drawing Sheets



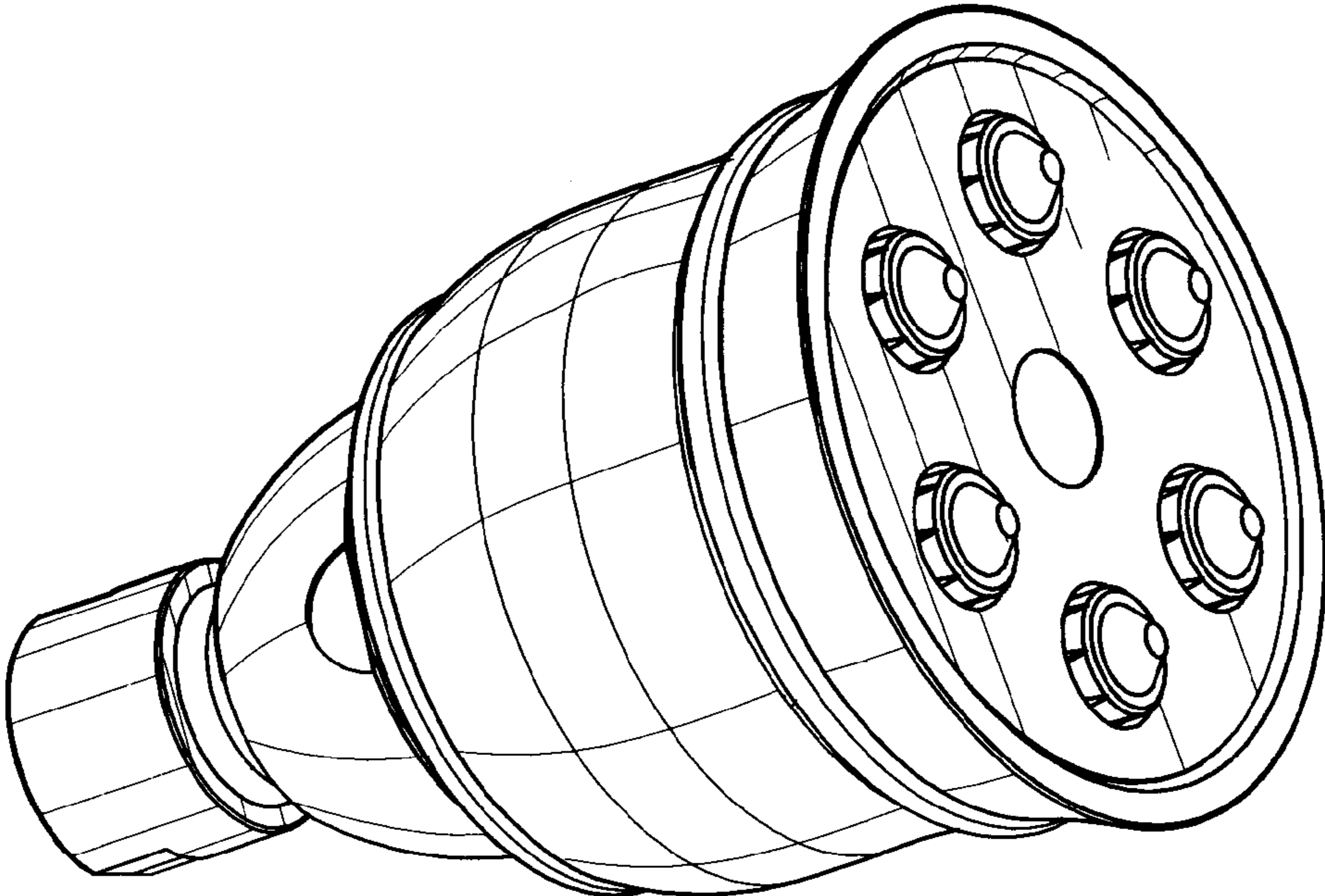


FIG. 1

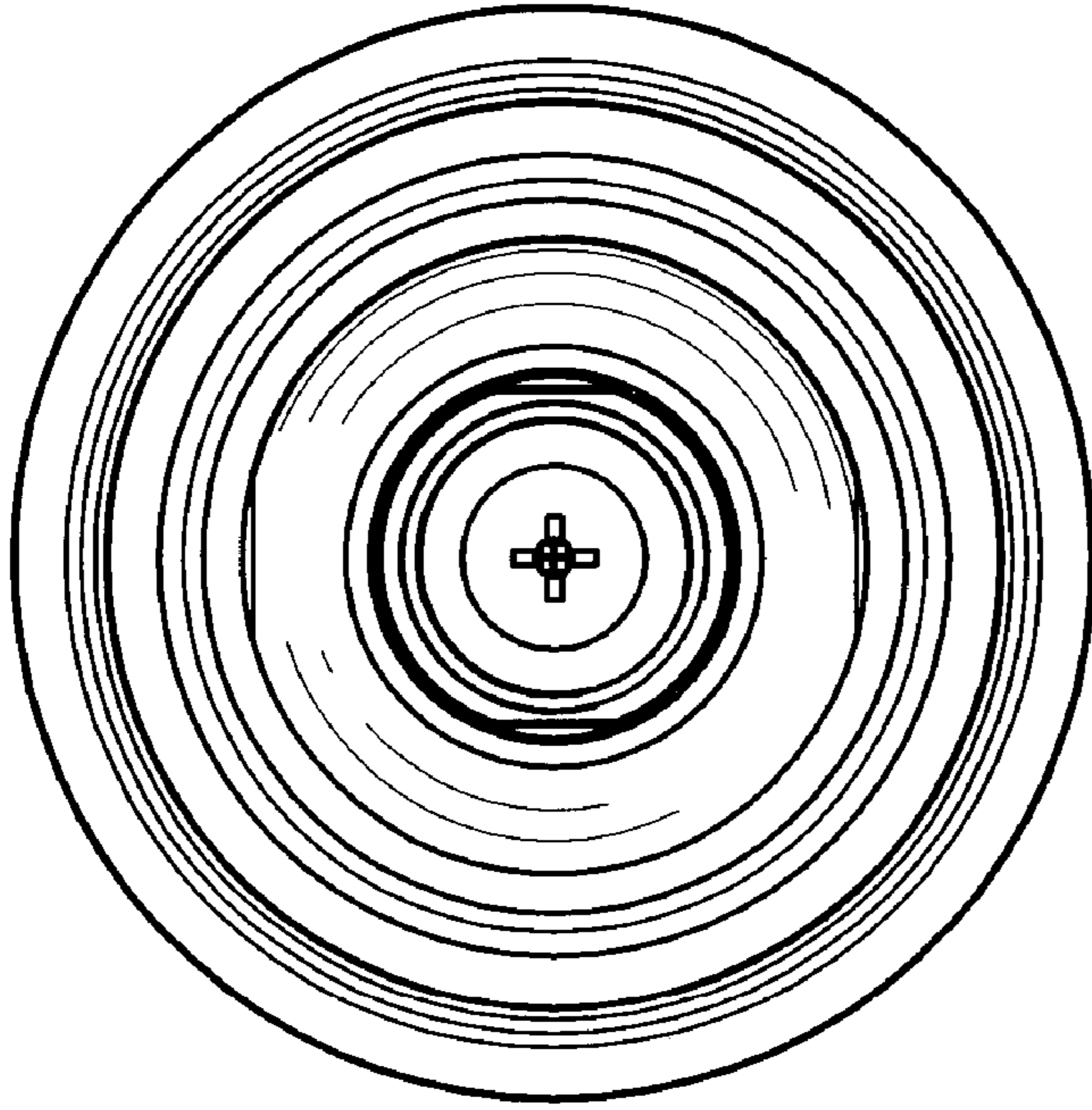


FIG. 3

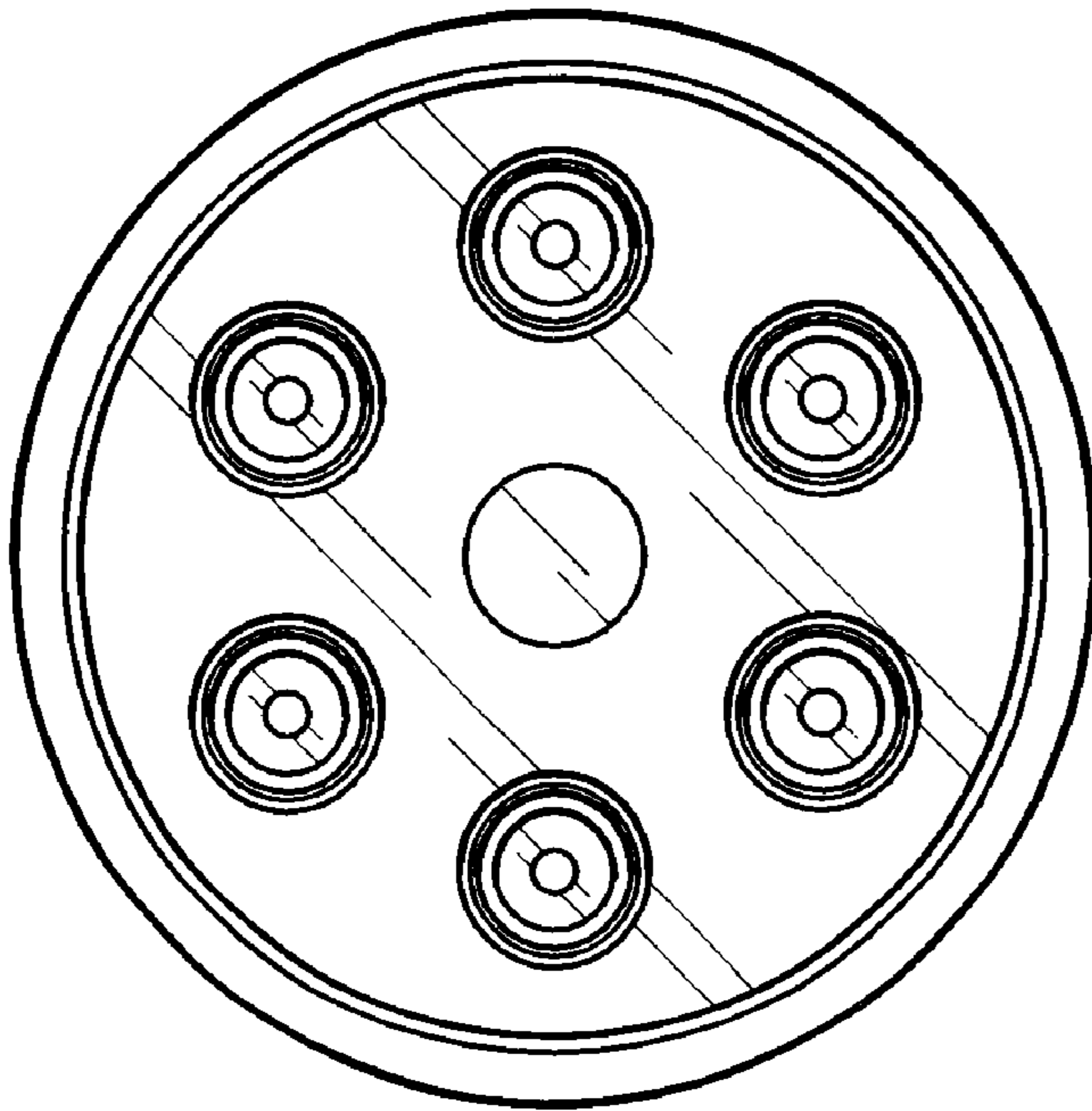


FIG. 2

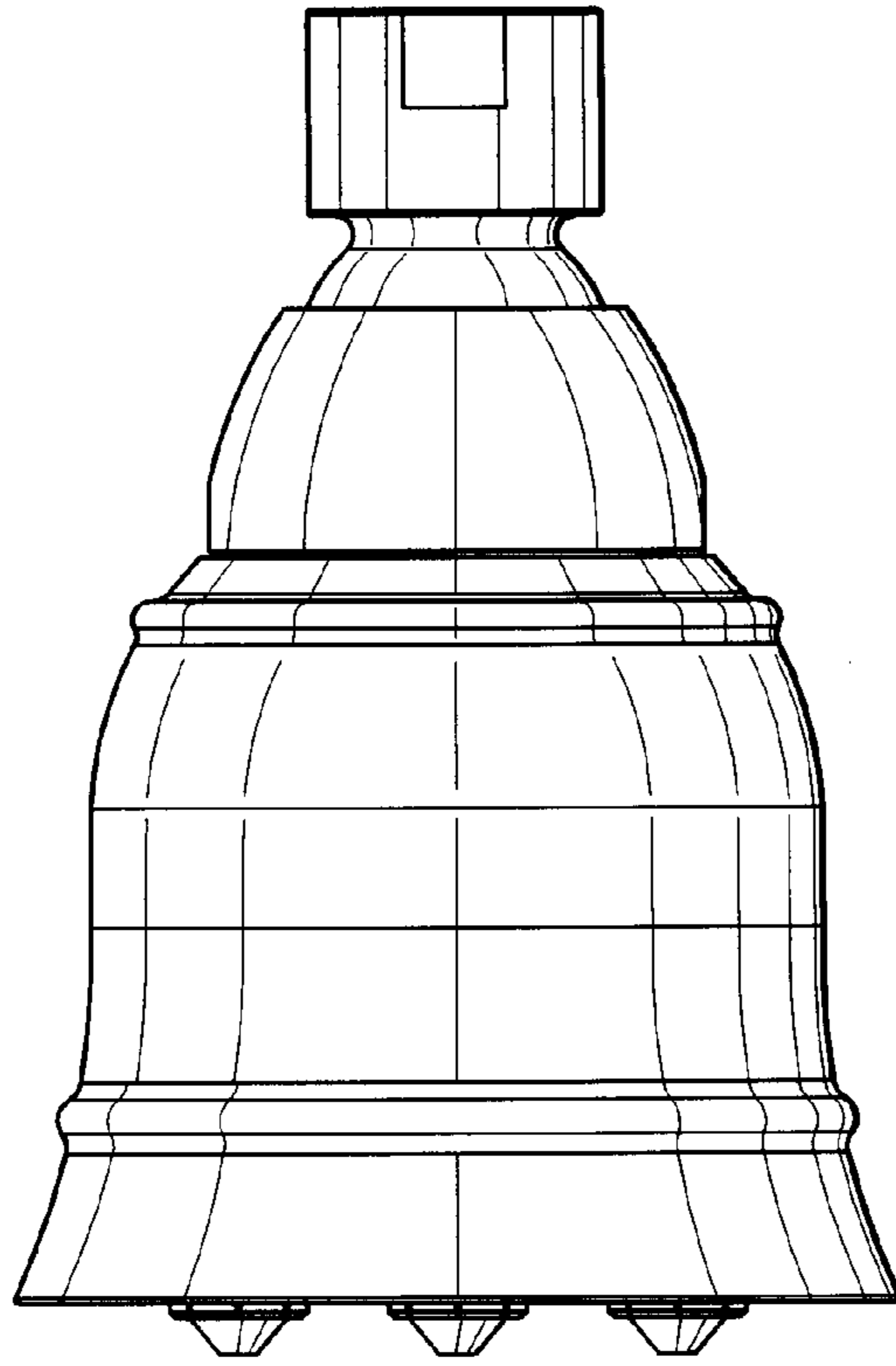


FIG. 5

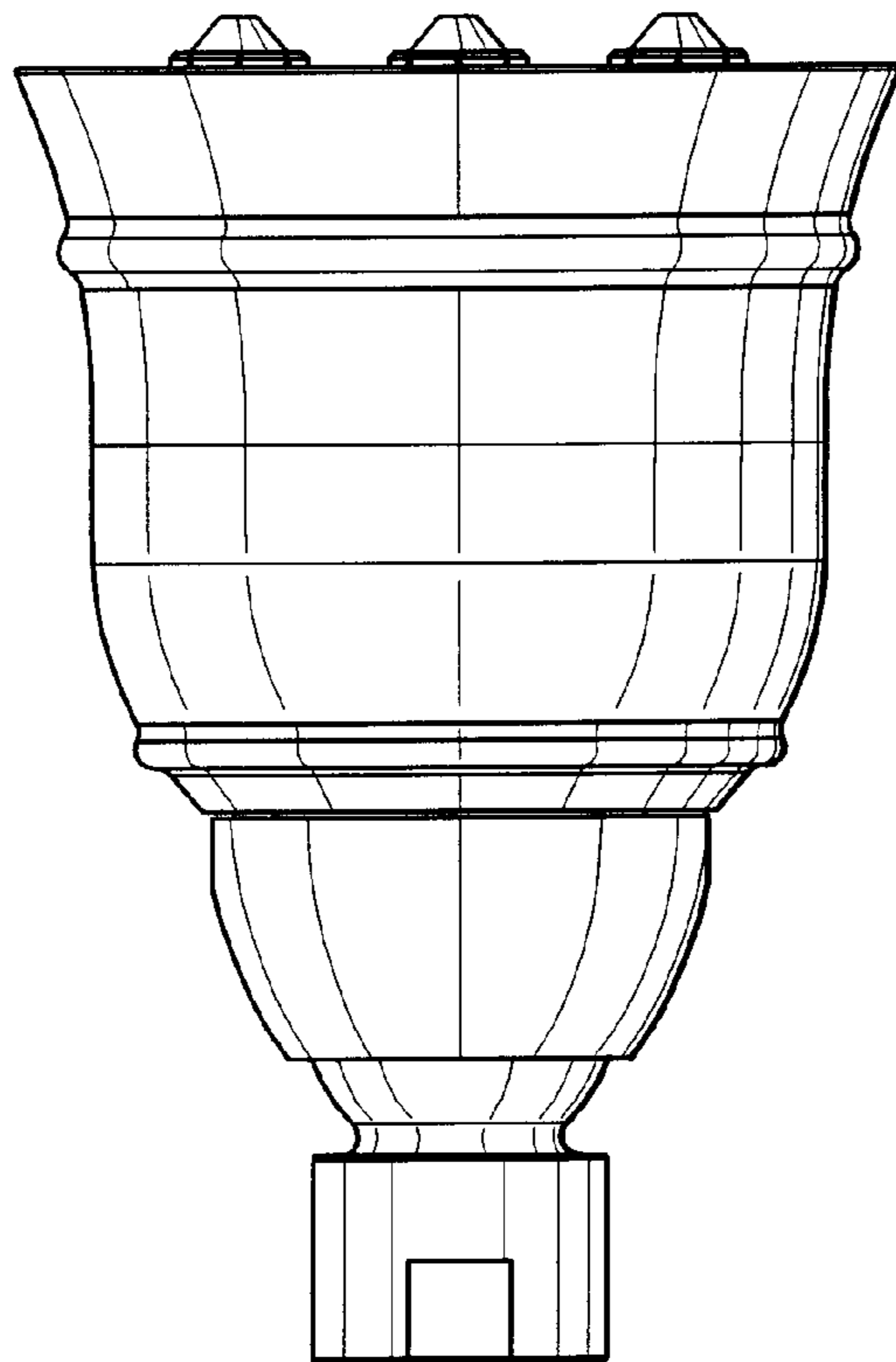


FIG. 4

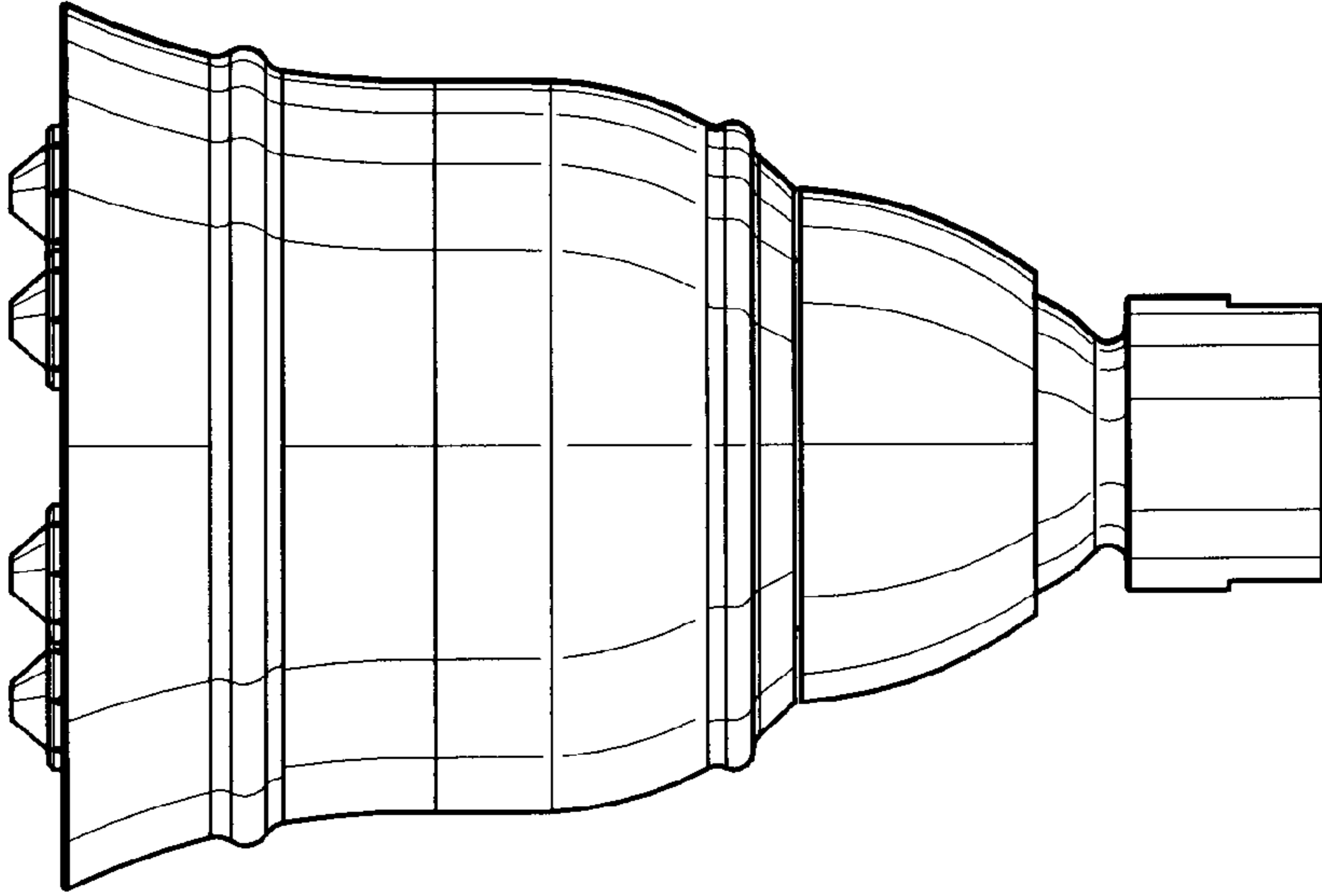


FIG. 7

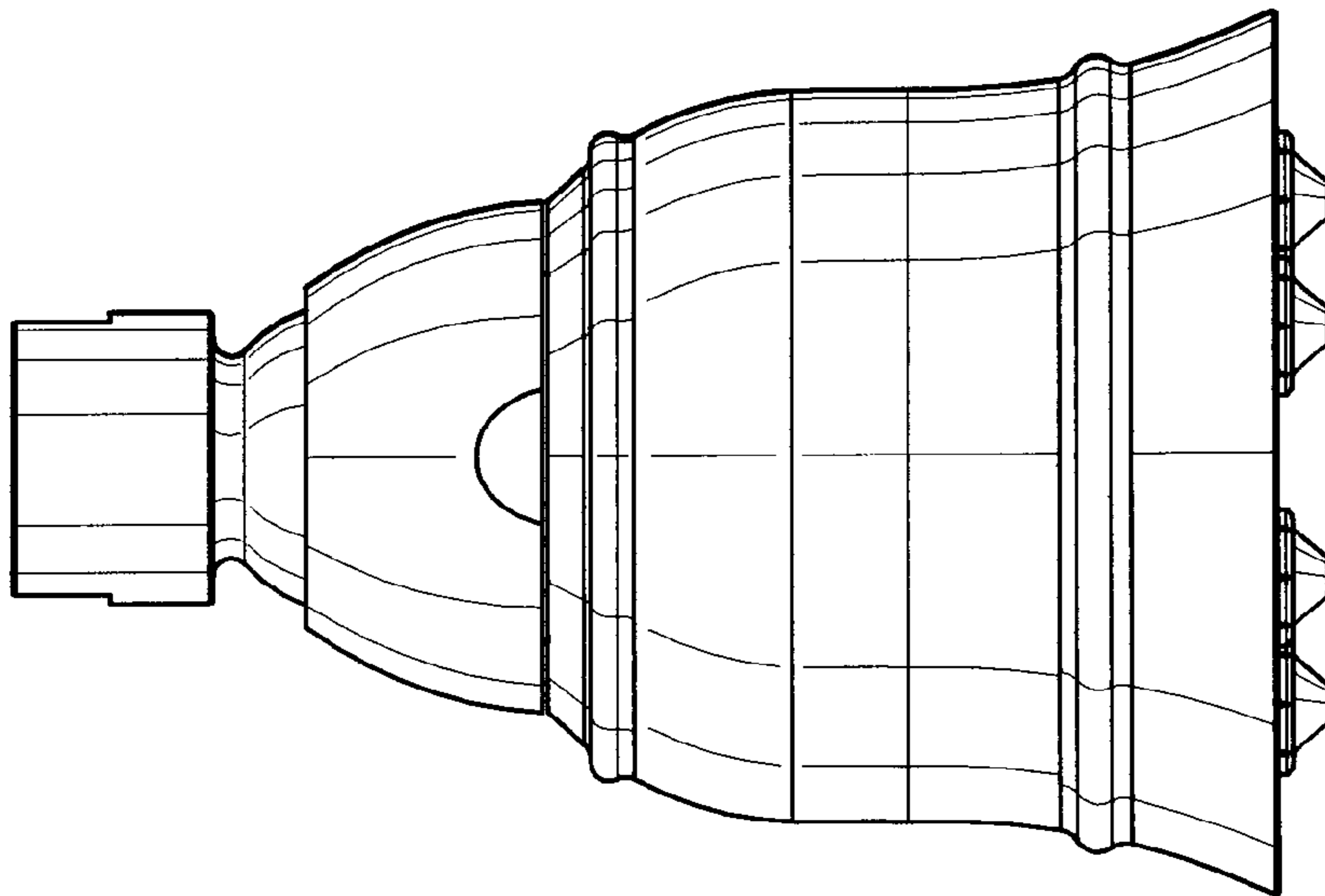


FIG. 6