



US00D510407S

(12) **United States Design Patent** (10) **Patent No.:** **US D510,407 S**
Schiller et al. (45) **Date of Patent:** **** Oct. 4, 2005**

(54) **PAINT GUN**

(75) Inventors: **Joel D. Schiller**, Comfrey, MN (US);
Jeffrey A. Kretsch, Springfield, MN (US);
Lisa M. Wahl, Sleep Eye, MN (US);
Sandra L. Hesse, Clements, MN (US);
Chad Davis, Chicago, IL (US);
Scott Dallmeyer, Chicago, IL (US);
Craig Scherer, Wilmette, IL (US)

(73) Assignee: **Powermate Corporation**, Aurora, IL (US)

(**) Term: **14 Years**

(21) Appl. No.: **29/205,420**

(22) Filed: **May 14, 2004**

(51) **LOC (8) Cl.** **23-01**

(52) **U.S. Cl.** **D23/225**

(58) **Field of Search** D23/213, 223,
D23/226; 239/302, 310, 308, 373, DIG. 14

(56) **References Cited**

U.S. PATENT DOCUMENTS

D179,665	S	*	2/1957	Sykes	D23/225
3,381,845	A	*	5/1968	MacDonald	220/301
3,784,804	A	*	1/1974	Sabatelli et al.	362/96
D341,186	S	*	11/1993	Albers	D23/226
D447,791	S	*	9/2001	Robidoux	D23/226

OTHER PUBLICATIONS

VX-707 Spray Gun, Dec. 1989.*
Coleman Powermate Professional Air Tools and Accessories, 1997 product catalog.
Coleman Powermate Air Tools and Accessories, 1999 product catalog.
Coleman Powermate Air Tools and Accessories, 2001 product catalog.

* cited by examiner

Primary Examiner—Robin V. Taylor

(74) *Attorney, Agent, or Firm*—Leydig, Voit & Mayer, Ltd.

(57) **CLAIM**

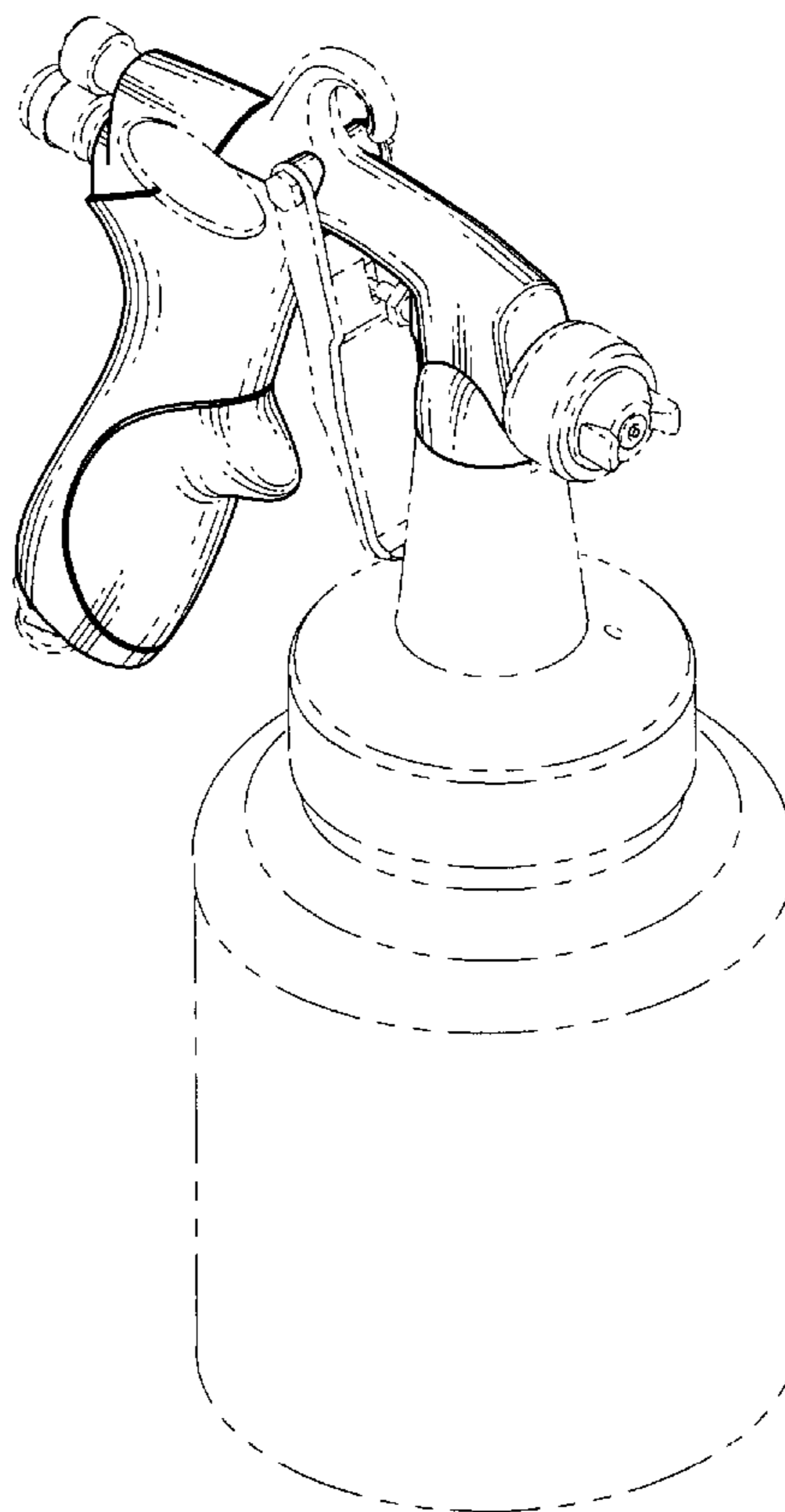
The ornamental design for a paint gun, as shown and described.

DESCRIPTION

FIG. 1 is a top, right front perspective view of a paint gun of the present invention;
FIG. 2 is a front view thereof;
FIG. 3 is a rear view thereof;
FIG. 4 is a right side view thereof;
FIG. 5 is a left side view thereof;
FIG. 6 is a top view thereof; and,
FIG. 7 is a bottom view thereof.

The broken line showing is for illustrative purposes only and forms no part of the claimed design.

1 Claim, 3 Drawing Sheets



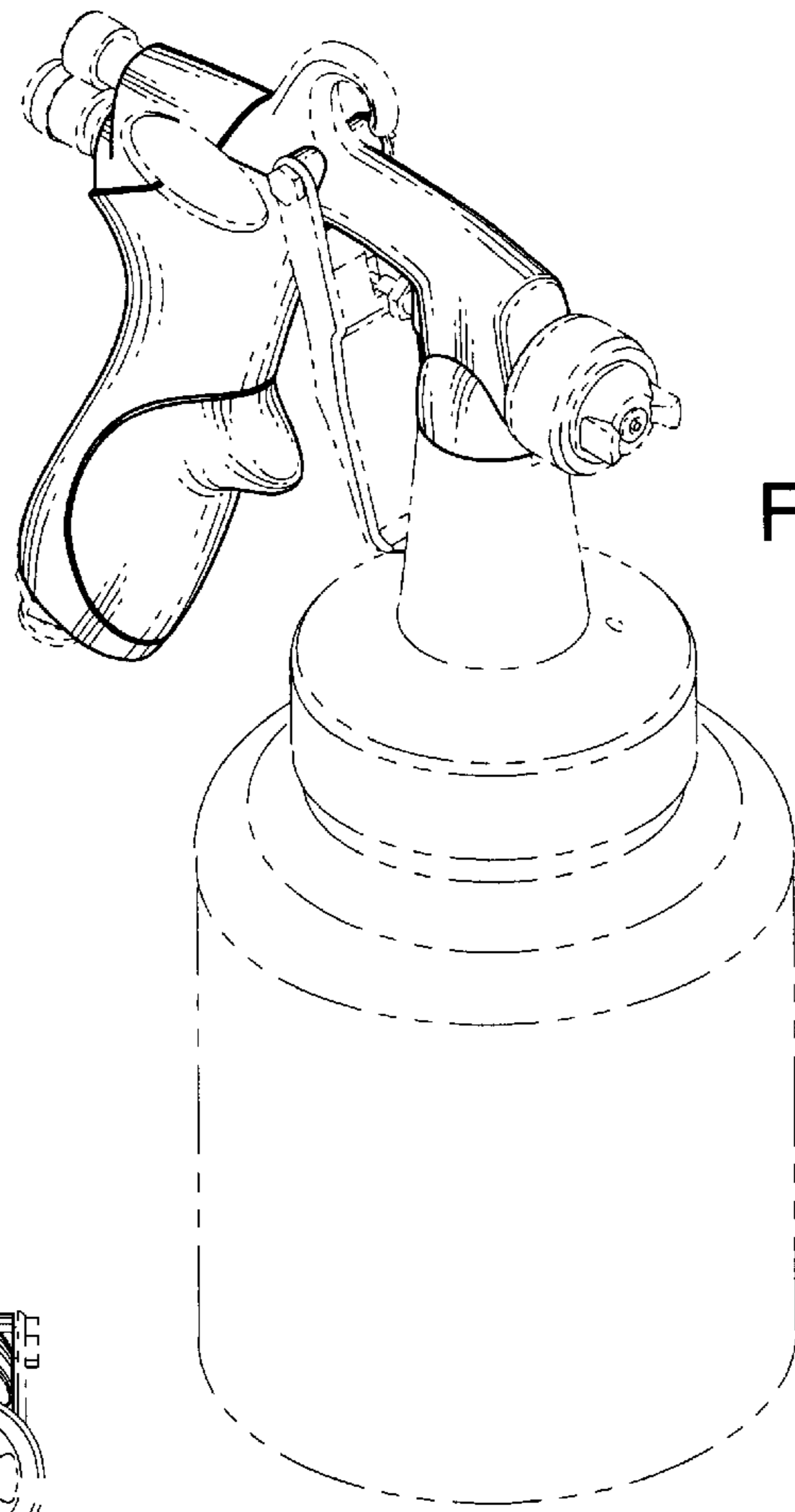


FIG. 1

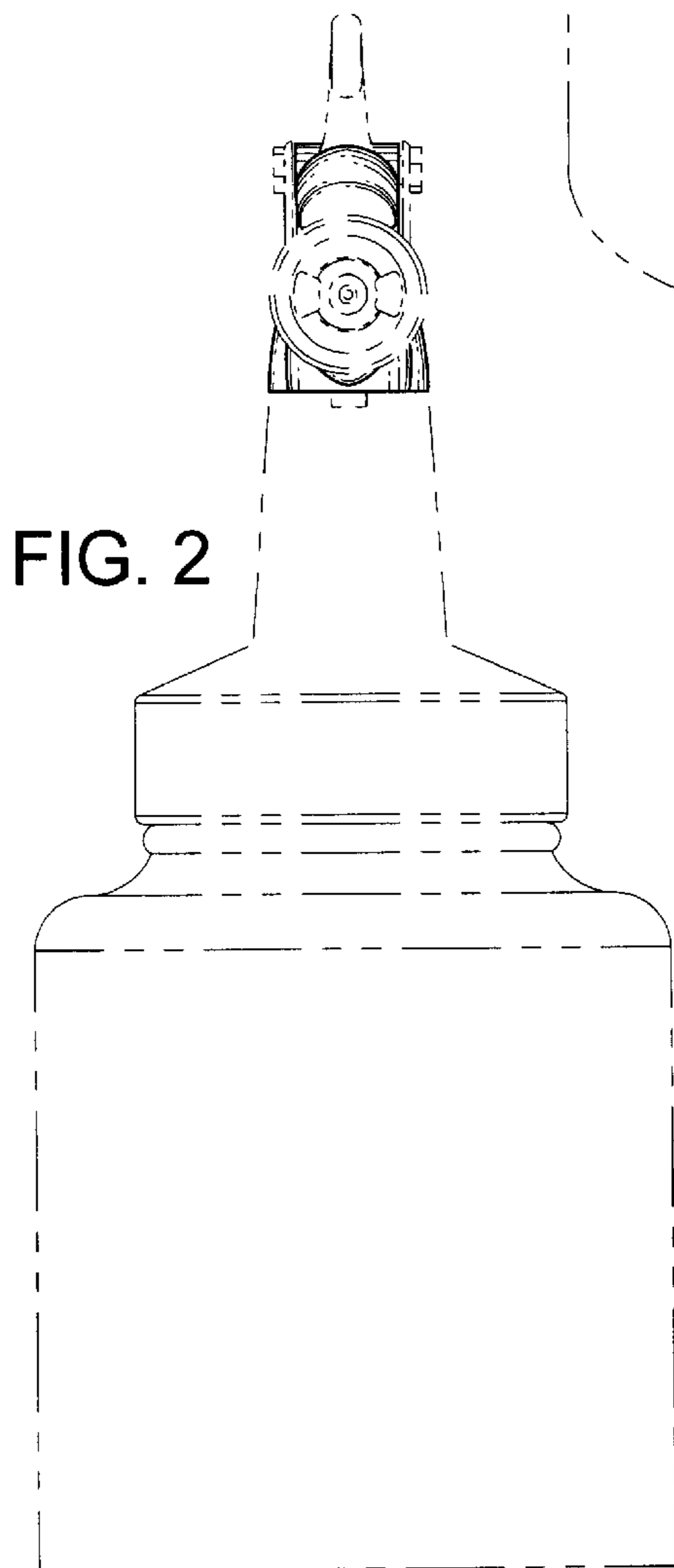


FIG. 2

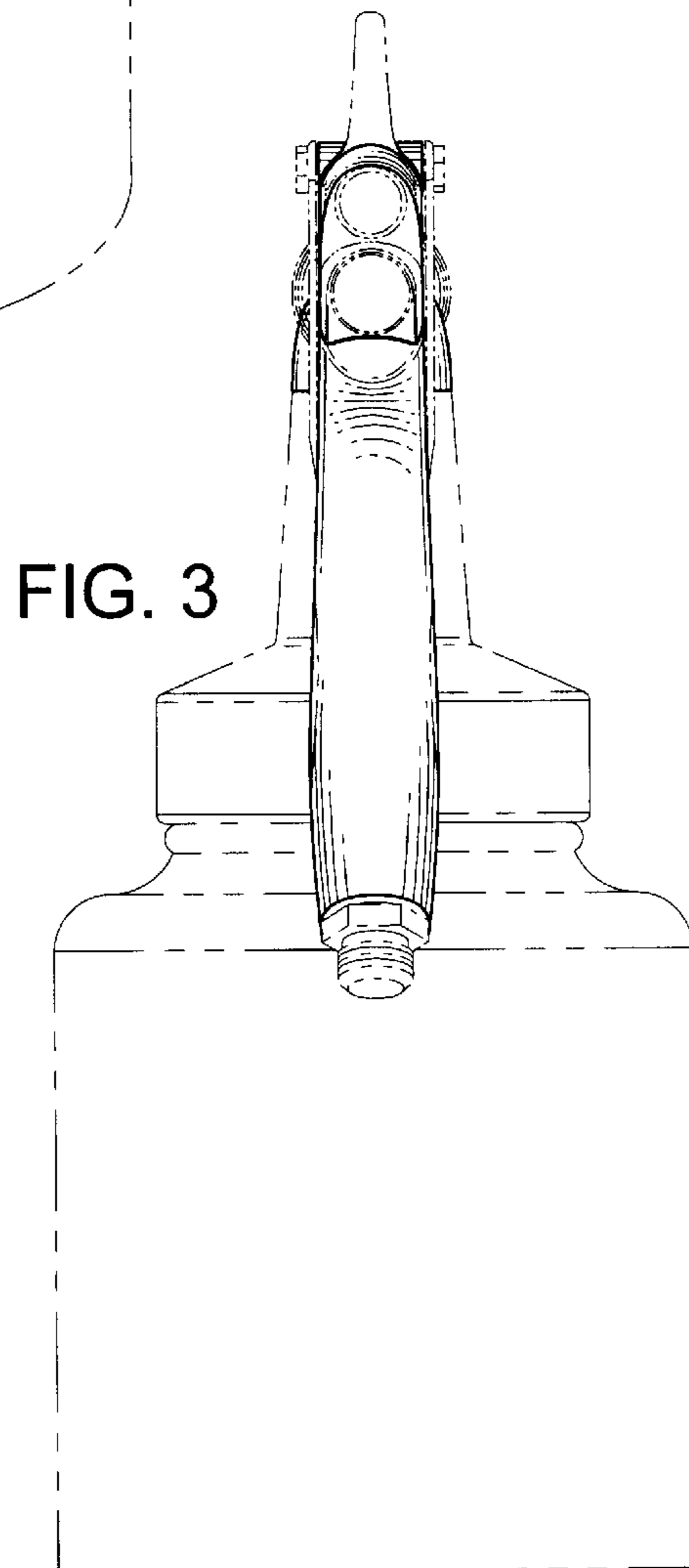


FIG. 3

