

US00D510404S

(12) **United States Design Patent**
Thompson

(10) **Patent No.:** **US D510,404 S**

(45) **Date of Patent:** **** Oct. 4, 2005**

(54) **FLOATING CHLORINE DISPENSER**

(75) **Inventor:** **Aaron Thompson**, Cooper City, FL
(US)

(73) **Assignee:** **Sportsfloats, Inc.**, Duluth, GA (US)

(**) **Term:** **14 Years**

(21) **Appl. No.:** **29/206,463**

(22) **Filed:** **Jun. 1, 2004**

(51) **LOC (8) Cl.** **23-01**

(52) **U.S. Cl.** **D23/208; D23/207**

(58) **Field of Search** **D23/207, 208;**
422/264, 265; D7/712, 788

(56) **References Cited**

U.S. PATENT DOCUMENTS

2,934,409	A	4/1960	Biehl	
RE29,728	E	8/1978	Franklin	
4,217,331	A	8/1980	Schaub	
D275,311	S	8/1984	Wolfe	
D286,560	S	11/1986	Wolfe	
4,630,634	A	12/1986	Sasaki et al.	
4,798,707	A	1/1989	Thomas et al.	
D307,460	S	4/1990	Bradford et al.	
D309,493	S	* 7/1990	Casberg D23/208
5,053,205	A	10/1991	Taylor et al.	
5,055,183	A	10/1991	Buchan	
5,476,116	A	12/1995	Price et al.	
5,577,724	A	* 11/1996	Gandolfo 473/597
5,611,532	A	3/1997	Forrest, Sr.	

5,795,551	A	8/1998	Powell	
D451,978	S	12/2001	Hood et al.	
D451,979	S	* 12/2001	VanErdewyk D23/208
D456,061	S	* 4/2002	Hood et al. D23/208
D461,871	S	8/2002	Flowers	
6,432,371	B1	8/2002	Oliver, Jr.	
D486,881	S	* 2/2004	Pecci et al. D23/207
D498,802	S	* 11/2004	Chang D21/712

* cited by examiner

Primary Examiner—Robin V. Taylor

(74) *Attorney, Agent, or Firm*—Robert J. Theuerkauf;
Middleton Reutlinger

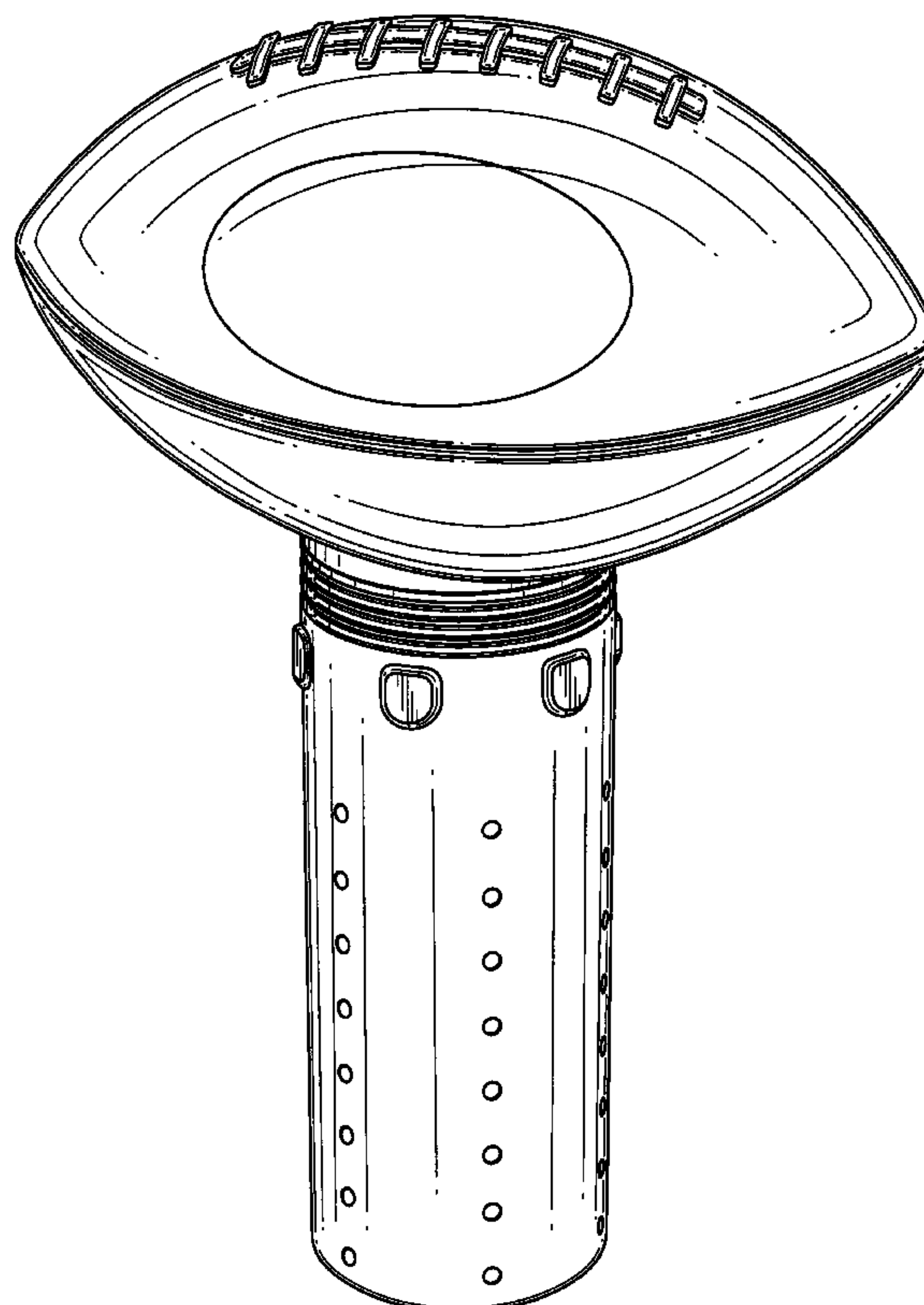
(57) **CLAIM**

The ornamental design for a floating chlorine dispenser, as shown and described.

DESCRIPTION

FIG. 1 is a perspective view of the floating chlorine dispenser showing my design;
 FIG. 2 is a top view of the floating chlorine dispenser of FIG. 1;
 FIG. 3 is a front view of the floating chlorine dispenser of FIG. 1, the rear being a mirror image of the front shown;
 FIG. 4 is a bottom view of the floating chlorine dispenser of FIG. 1; and,
 FIG. 5 is a right side view of the floating chlorine dispenser of FIG. 1, the left side being a mirror image of the right side shown.

1 Claim, 5 Drawing Sheets



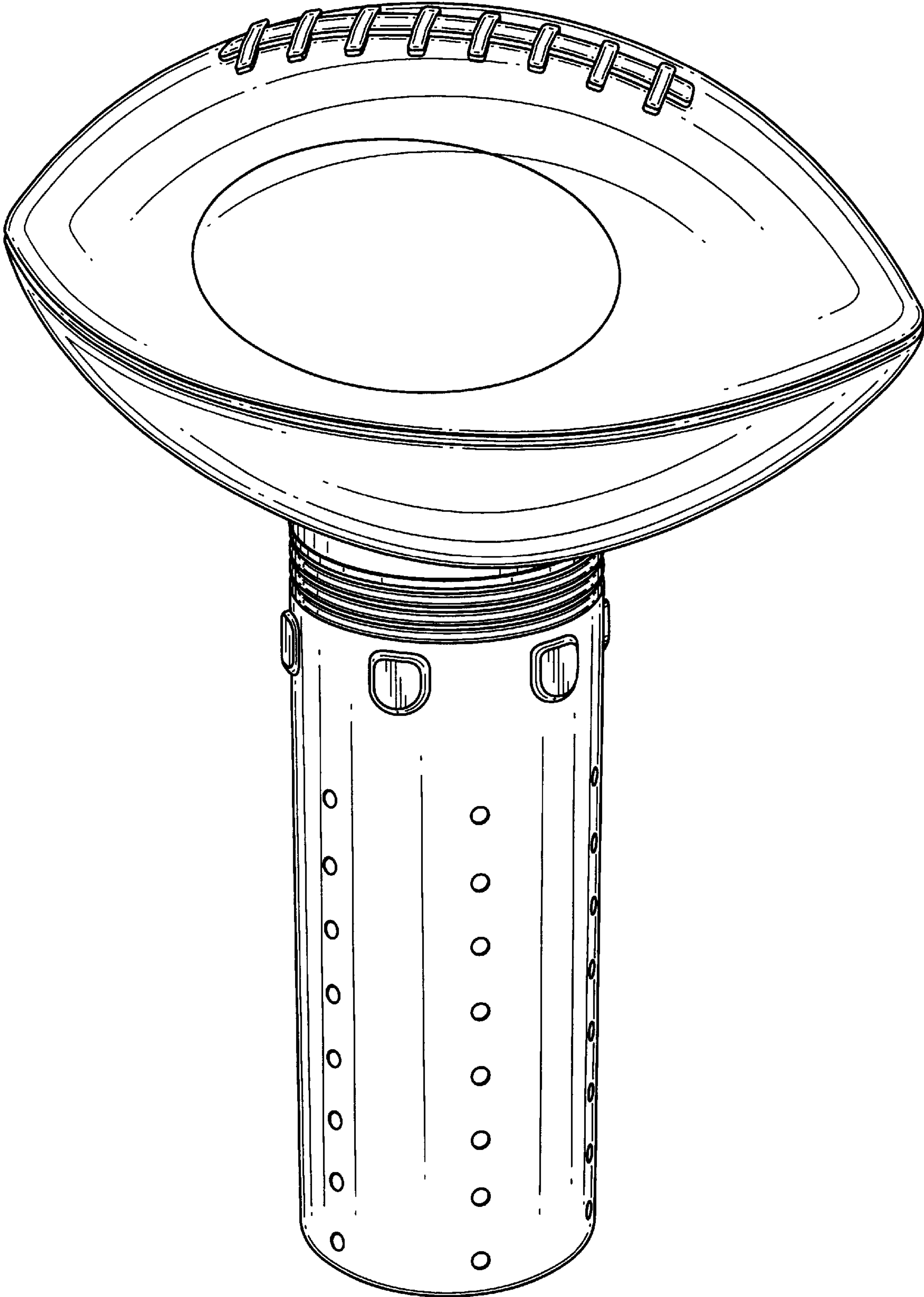


FIG. 1

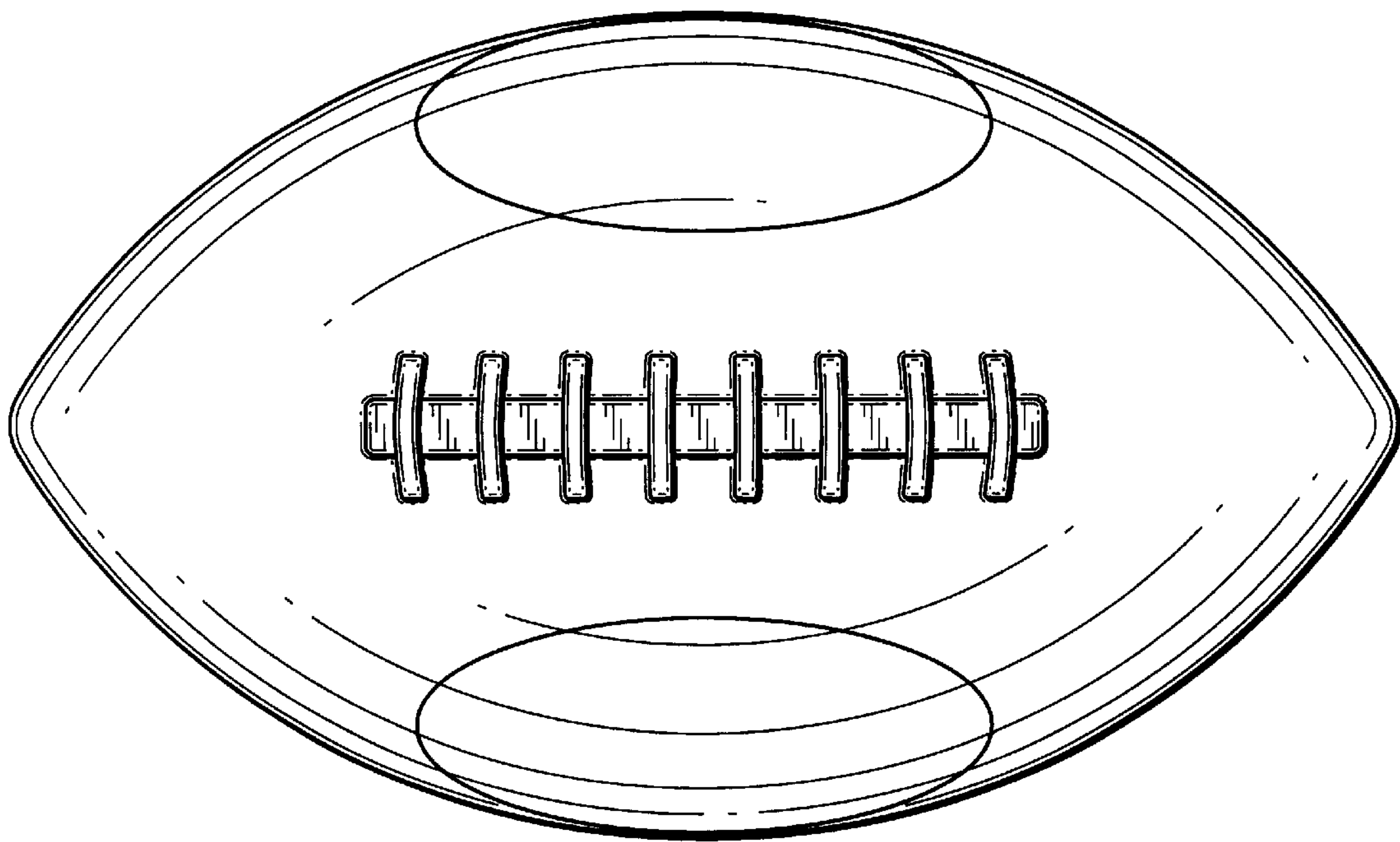


FIG. 2

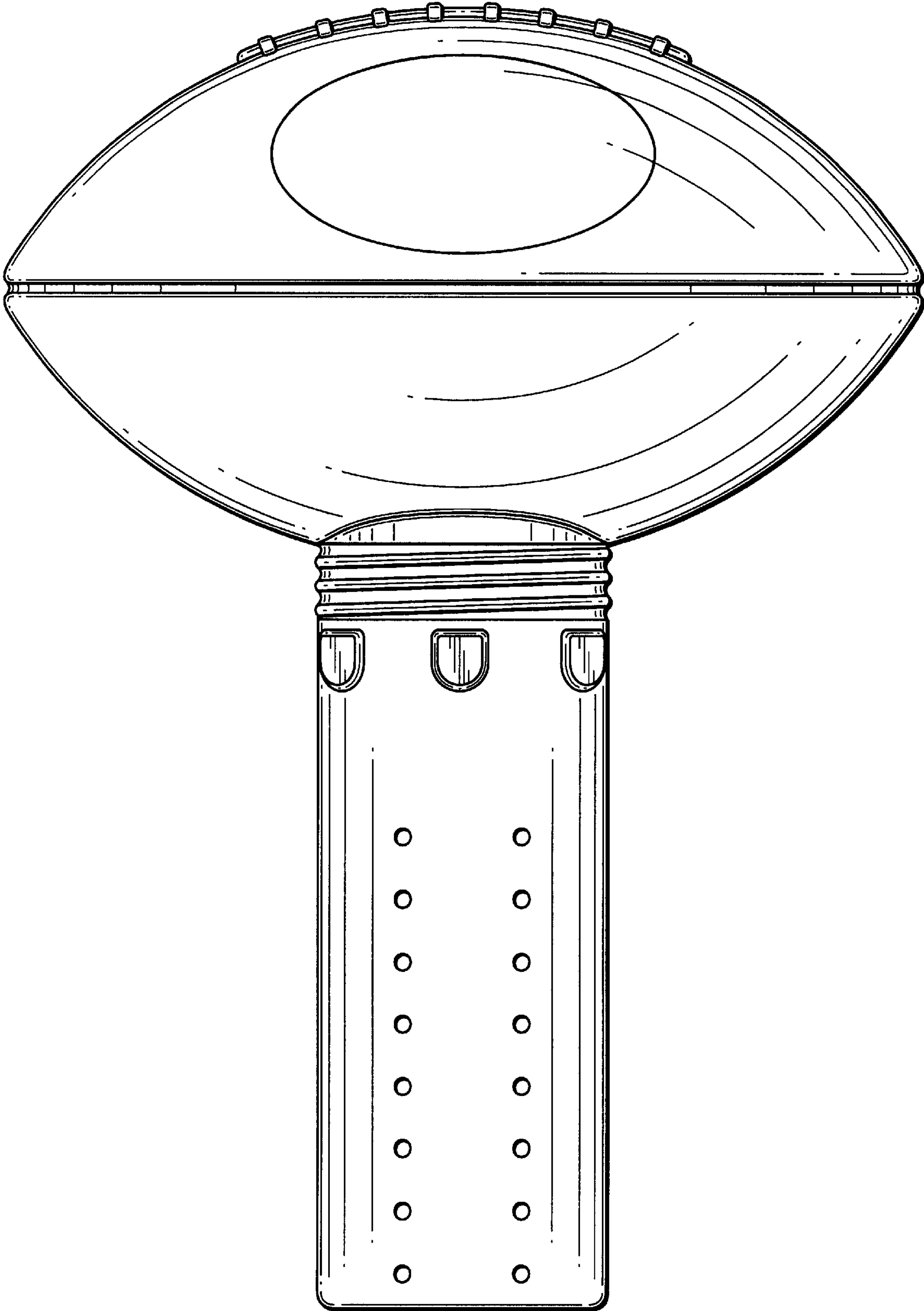


FIG. 3

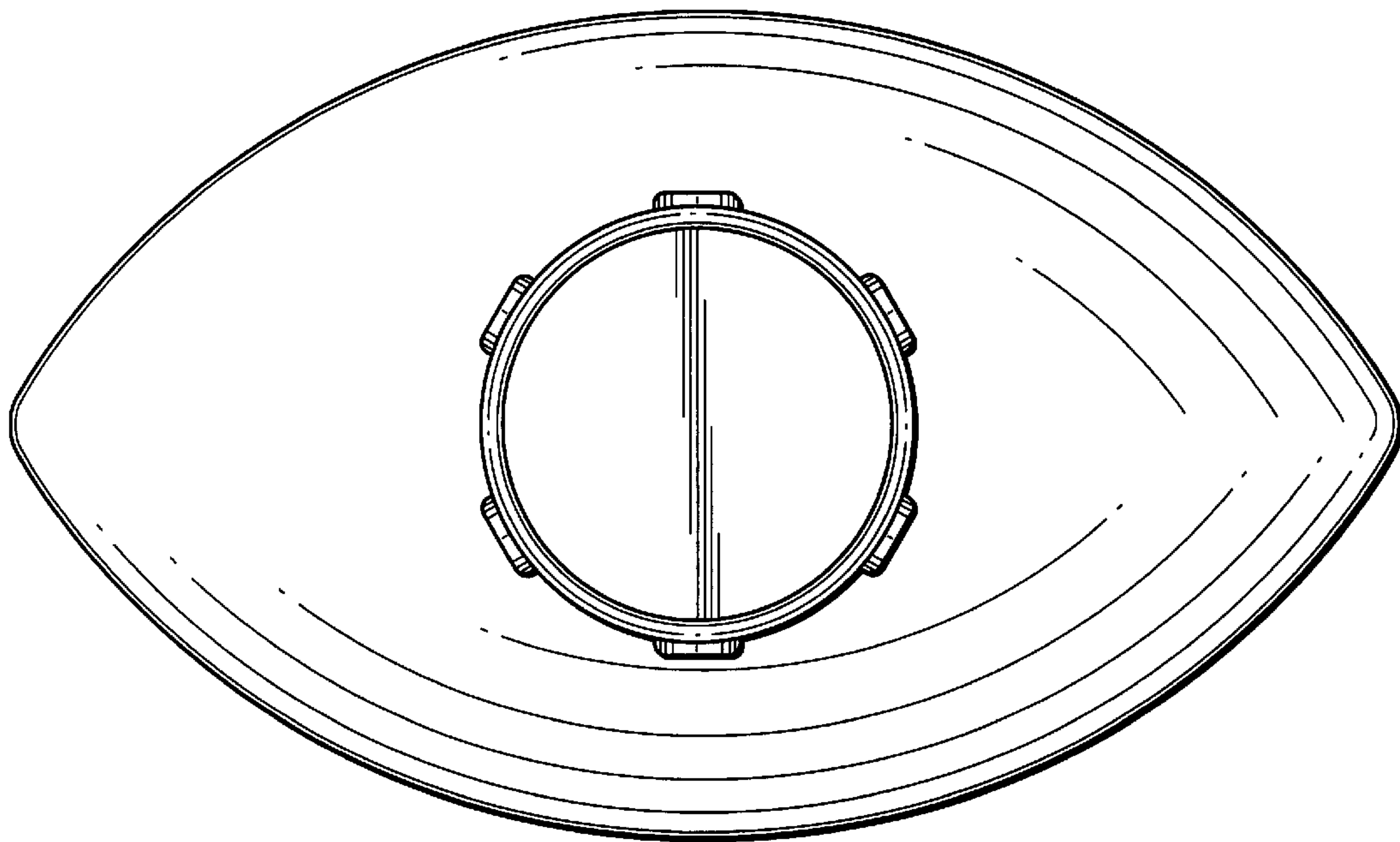


FIG. 4

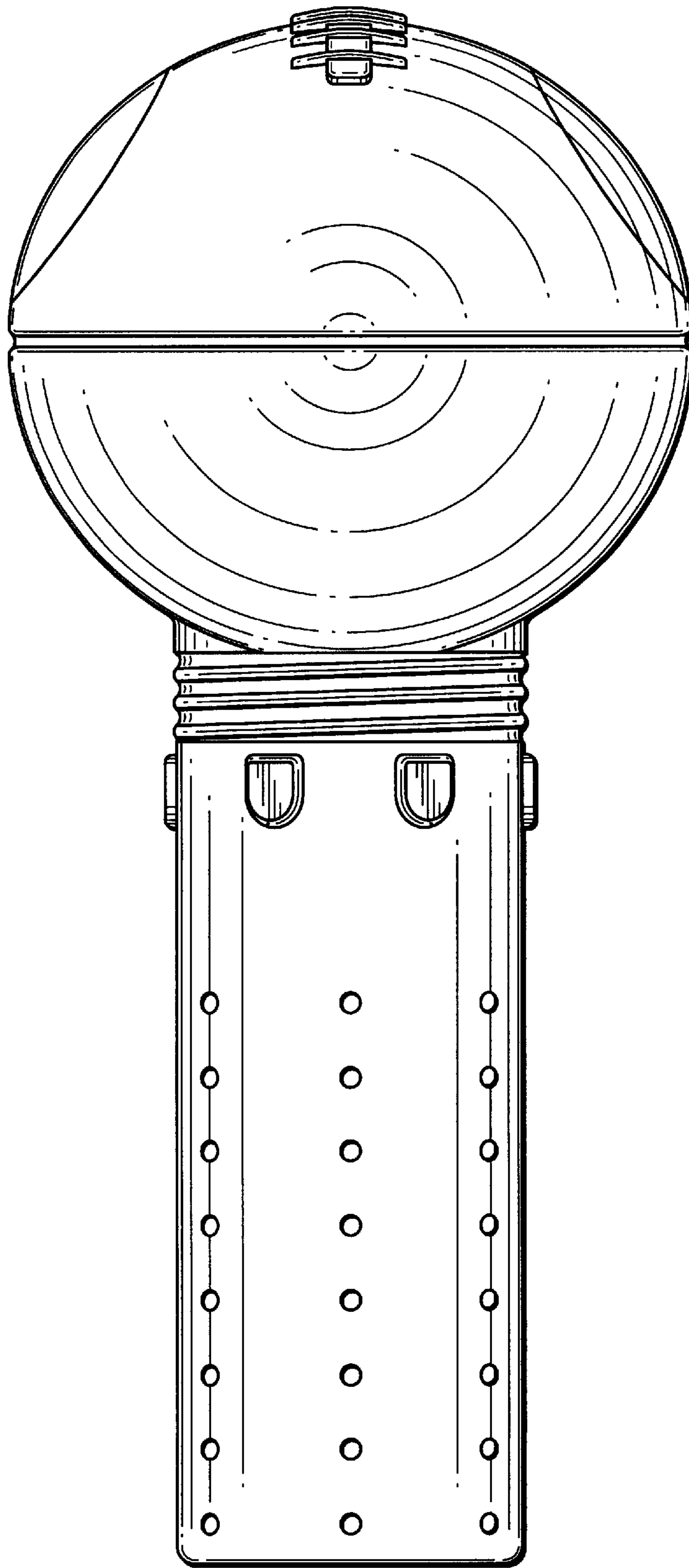


FIG. 5