



US00D510402S

(12) **United States Design Patent**  
**Owens**

(10) **Patent No.:** **US D510,402 S**  
(45) **Date of Patent:** **\*\* Oct. 4, 2005**

(54) **GUN LIGHT**

D441,474 S \* 5/2001 Poon ..... D26/45

(75) **Inventor:** **David John Owens, Ipswich (GB)**

**OTHER PUBLICATIONS**

(73) **Assignee:** **Deben Group Industries Limited, Woodbridge (GB)**

Cabela's Master Fall Catalogue 2003, p. 415.\*

(\*\*) **Term:** **14 Years**

\* cited by examiner

(21) **Appl. No.:** **29/198,640**

*Primary Examiner*—Louis S. Zarfes

*Assistant Examiner*—Melanie Levy

(22) **Filed:** **Feb. 2, 2004**

(74) *Attorney, Agent, or Firm*—McGarry Bair PC

(30) **Foreign Application Priority Data**

(57) **CLAIM**

Aug. 6, 2003 (EM) ..... 000061734

I claim the ornamental design and shape for a gun light, as shown and described.

(51) **LOC (8) Cl.** ..... **22-01**

**DESCRIPTION**

(52) **U.S. Cl.** ..... **D22/108; D26/39**

(58) **Field of Search** ..... D22/108, 199;  
42/111-120, 131, 132, 145, 146; 353/43;  
362/184-199, 804; D26/37, 39, 45; D10/114

FIG. 1 is a side view of the first design; and  
FIG. 2 is a perspective view from above of the first design;  
and

(56) **References Cited**

**U.S. PATENT DOCUMENTS**

- D267,157 S \* 12/1982 Kong ..... D10/114
- D380,060 S \* 6/1997 Chiang ..... D26/37
- D385,636 S \* 10/1997 Chen ..... D26/37
- D398,065 S \* 9/1998 Otto ..... D26/28
- D408,565 S \* 4/1999 Hanlon et al. .... D26/28
- D421,657 S \* 3/2000 Siebert ..... D26/37
- D436,200 S \* 1/2001 Cheong et al. .... D26/45

FIG. 3 is a perspective view from above of the first design;  
and

FIG. 4 is a front end view of the first design; and

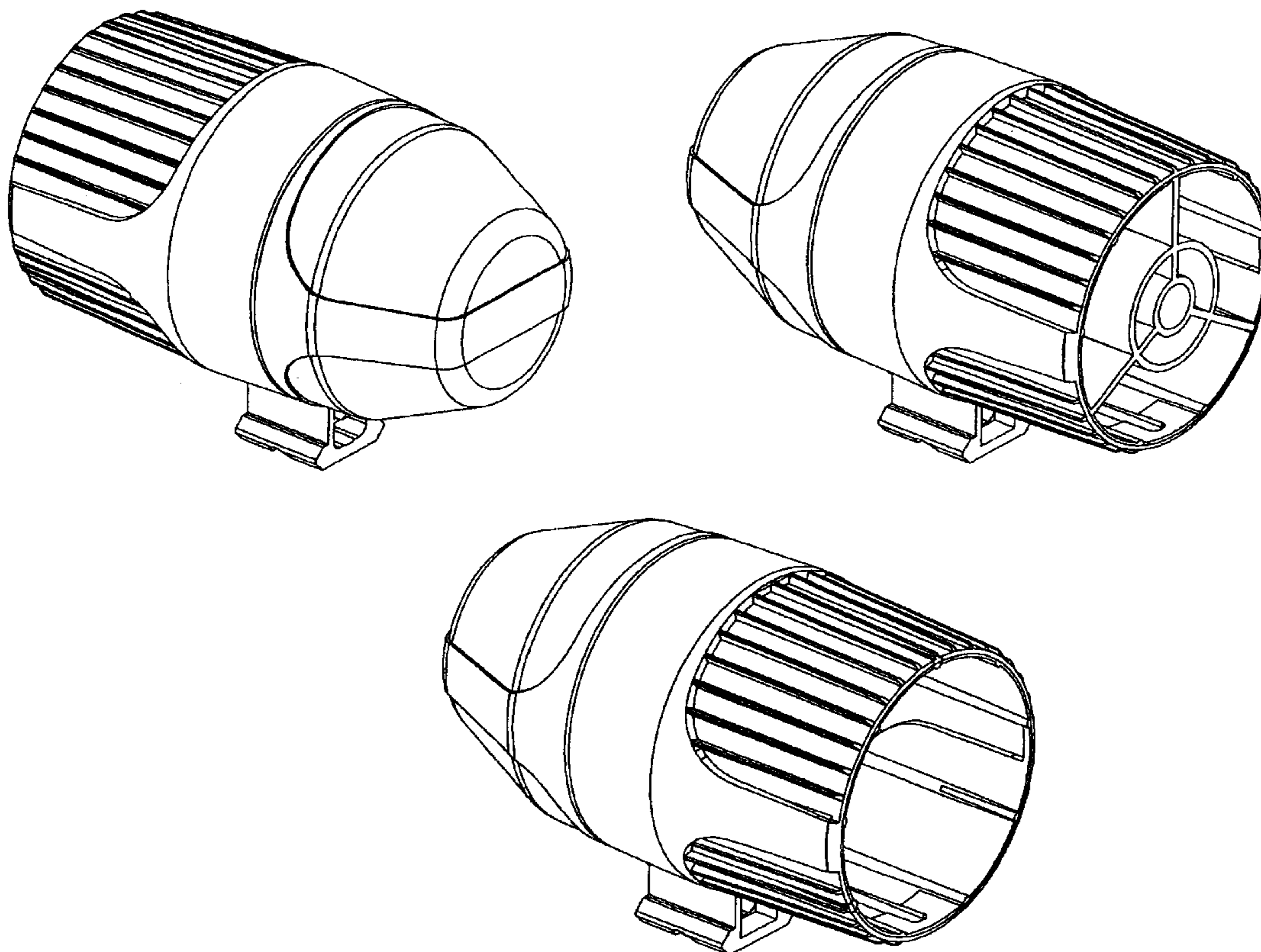
FIG. 5 is a side view of the second design; and

FIG. 6 is a perspective view from above of the second design; and

FIG. 7 is a perspective view from above of the second design; and,

FIG. 8 is a front end view of the second design.

**1 Claim, 4 Drawing Sheets**



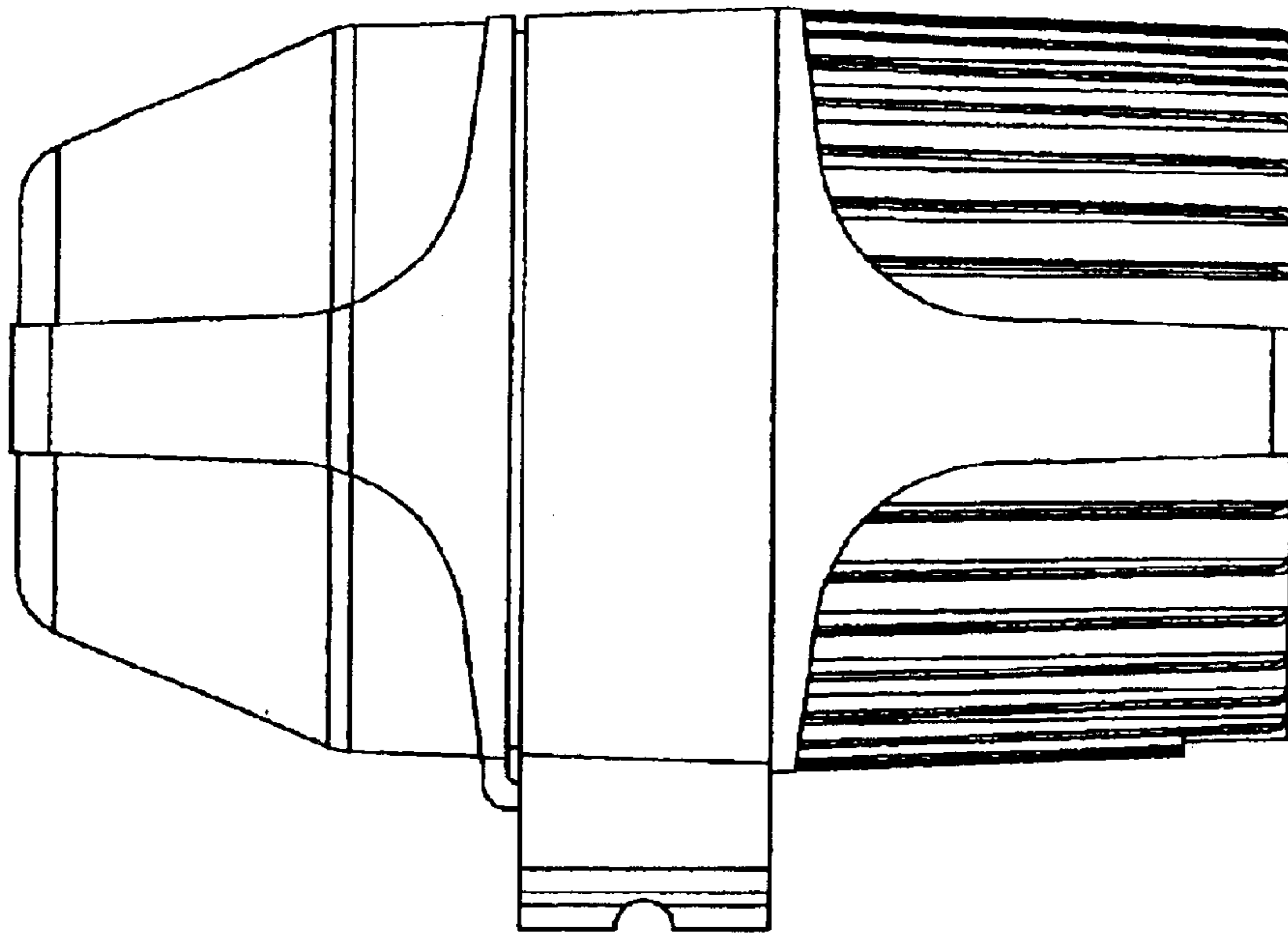


Figure 1

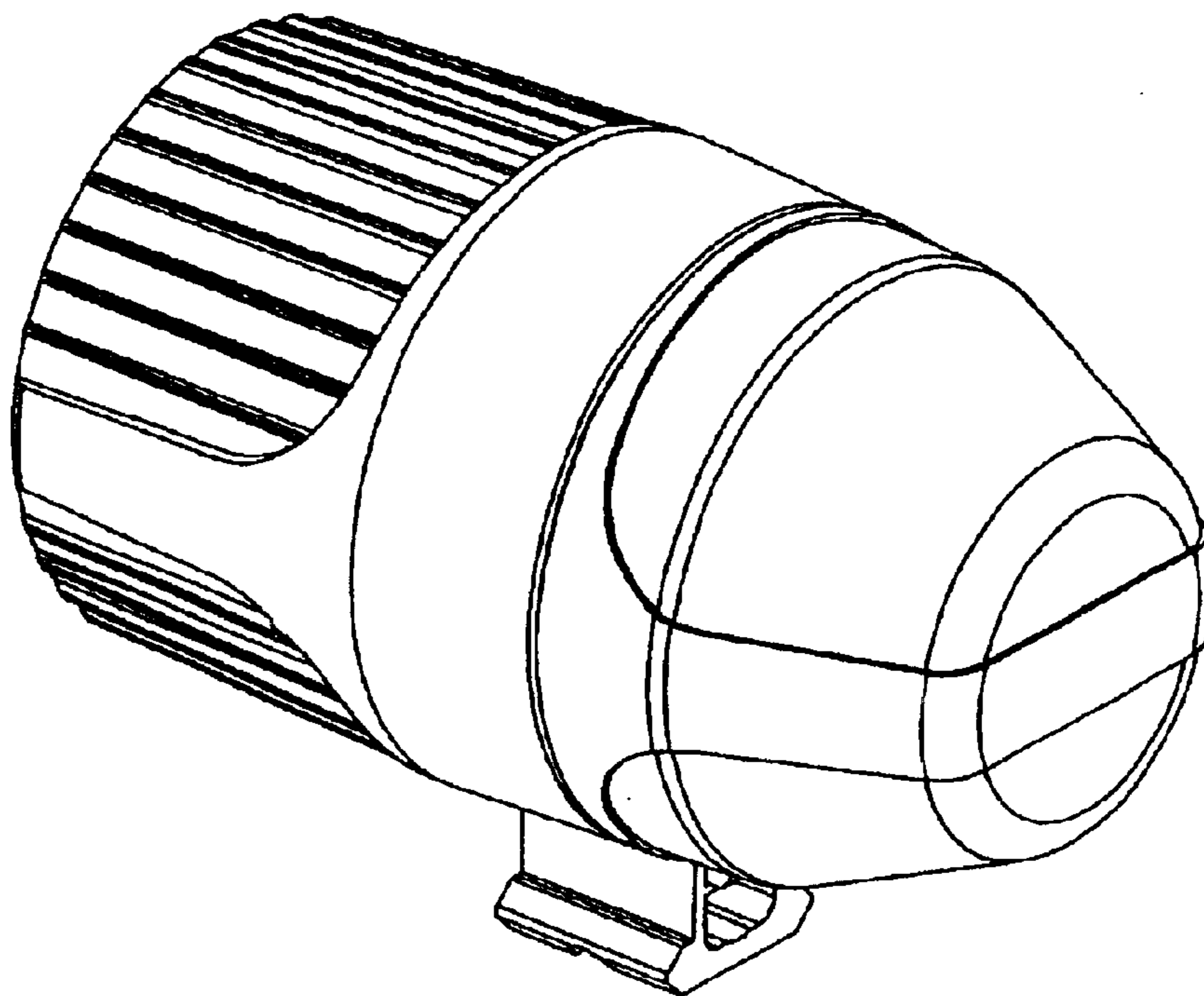


Figure 2

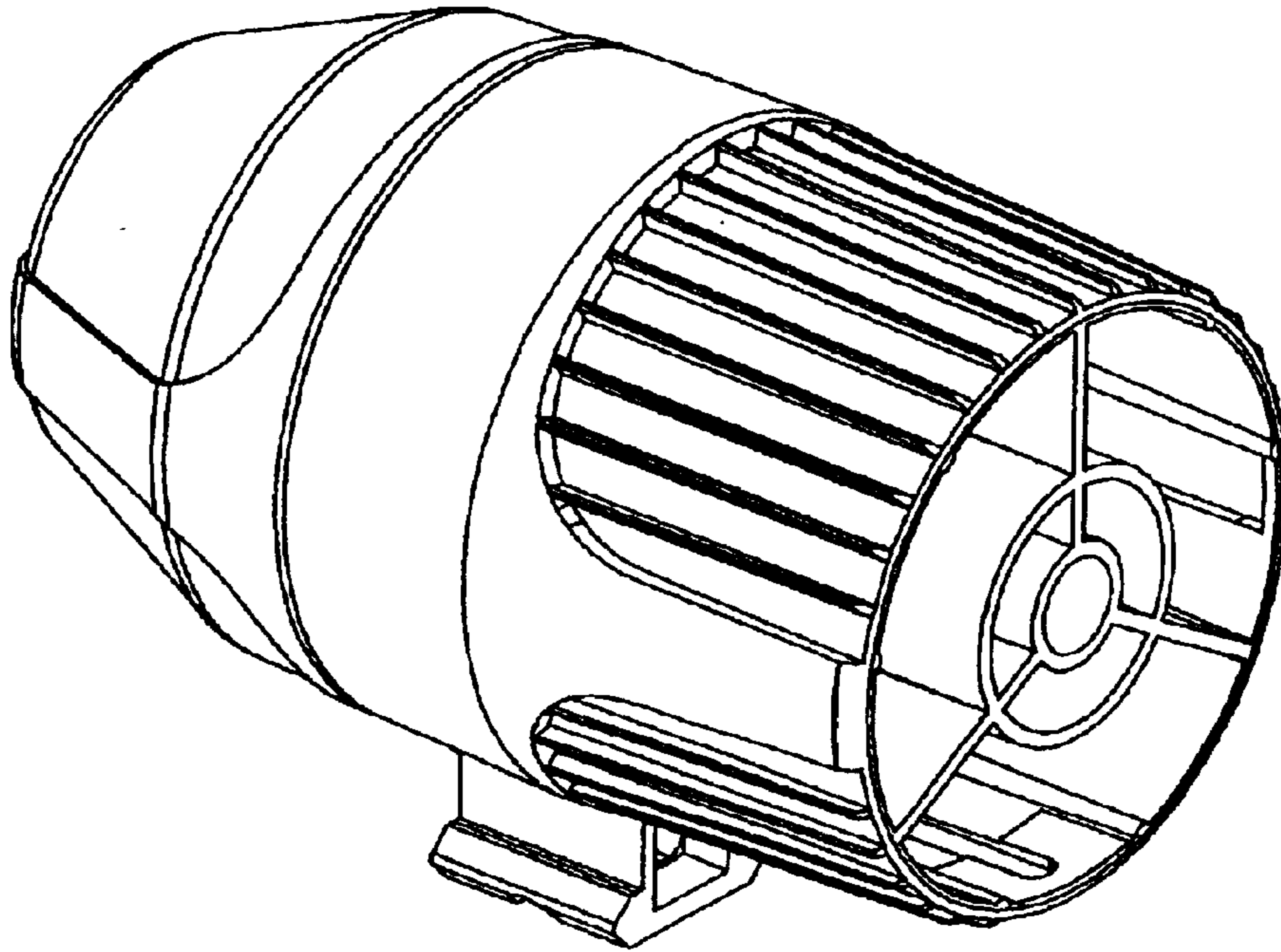


Figure 3

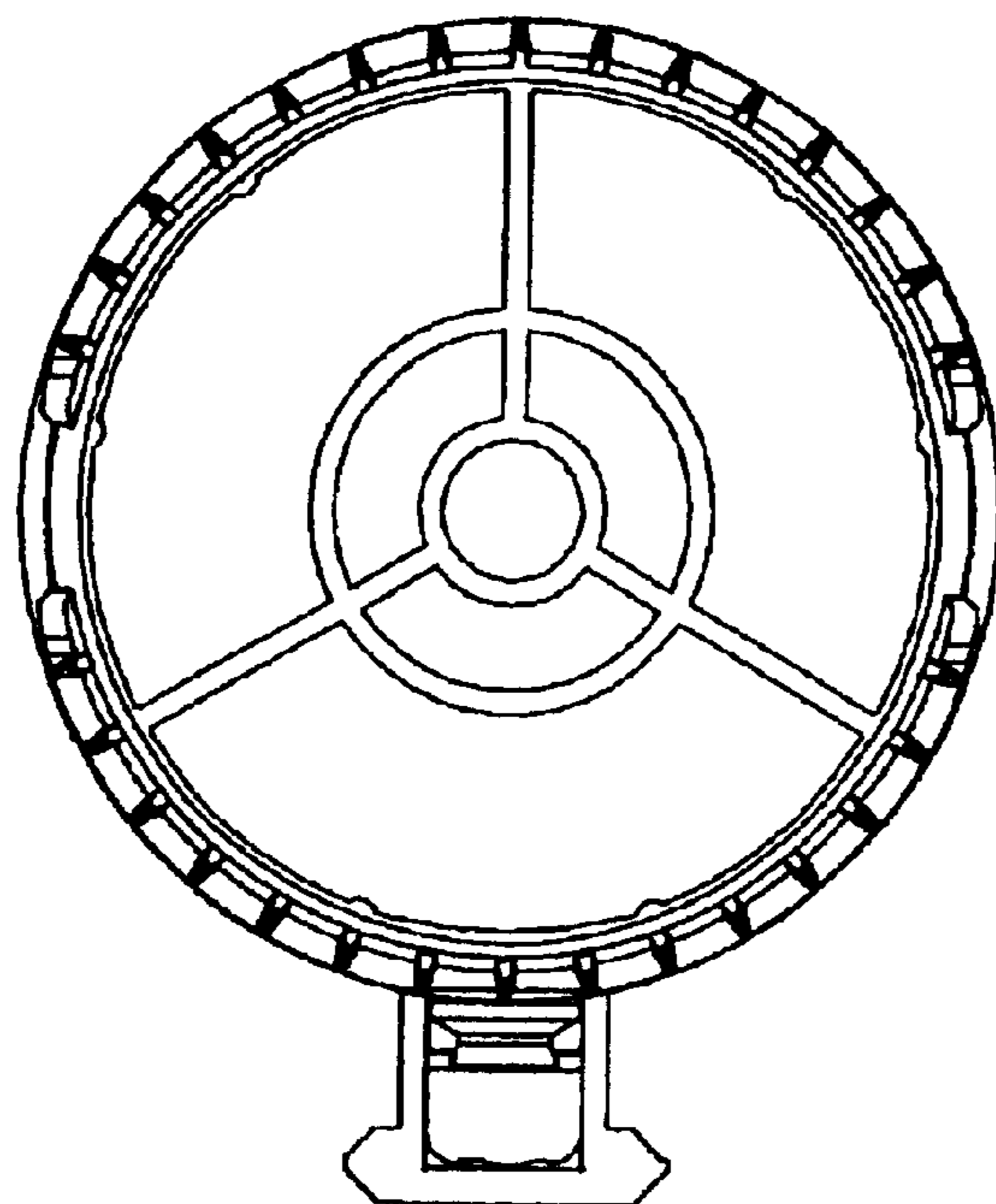


Figure 4

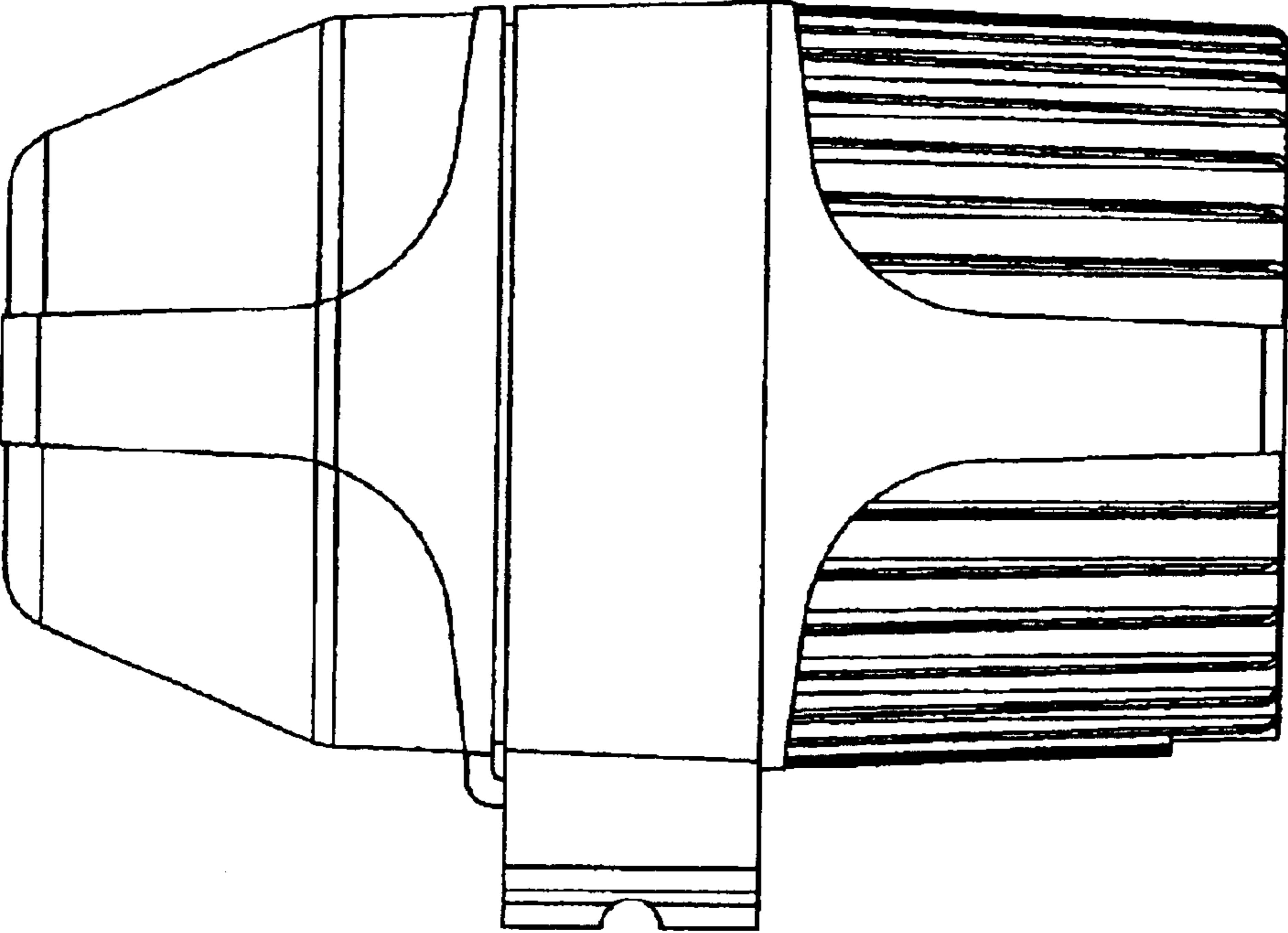


Figure 5

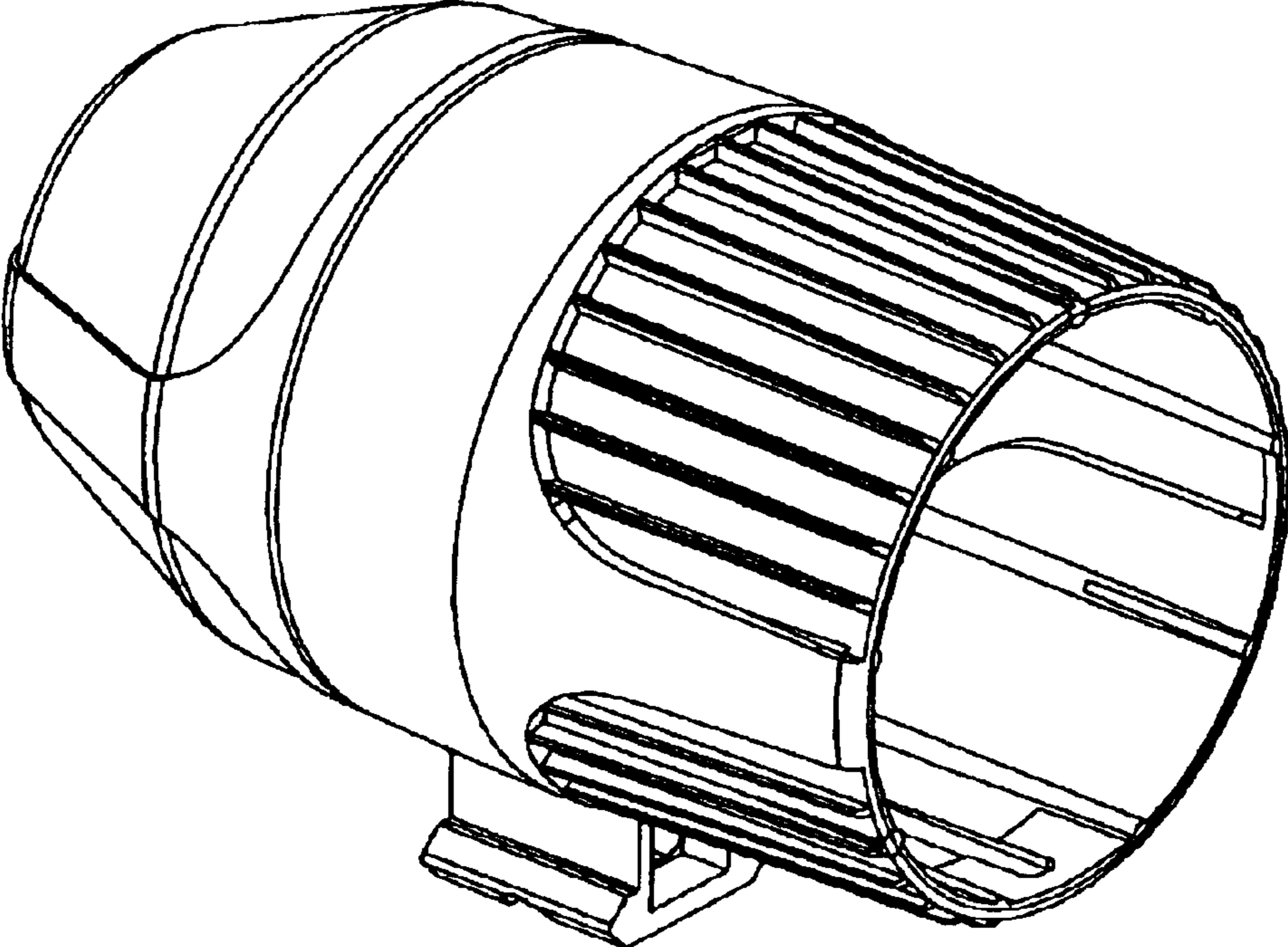


Figure 6

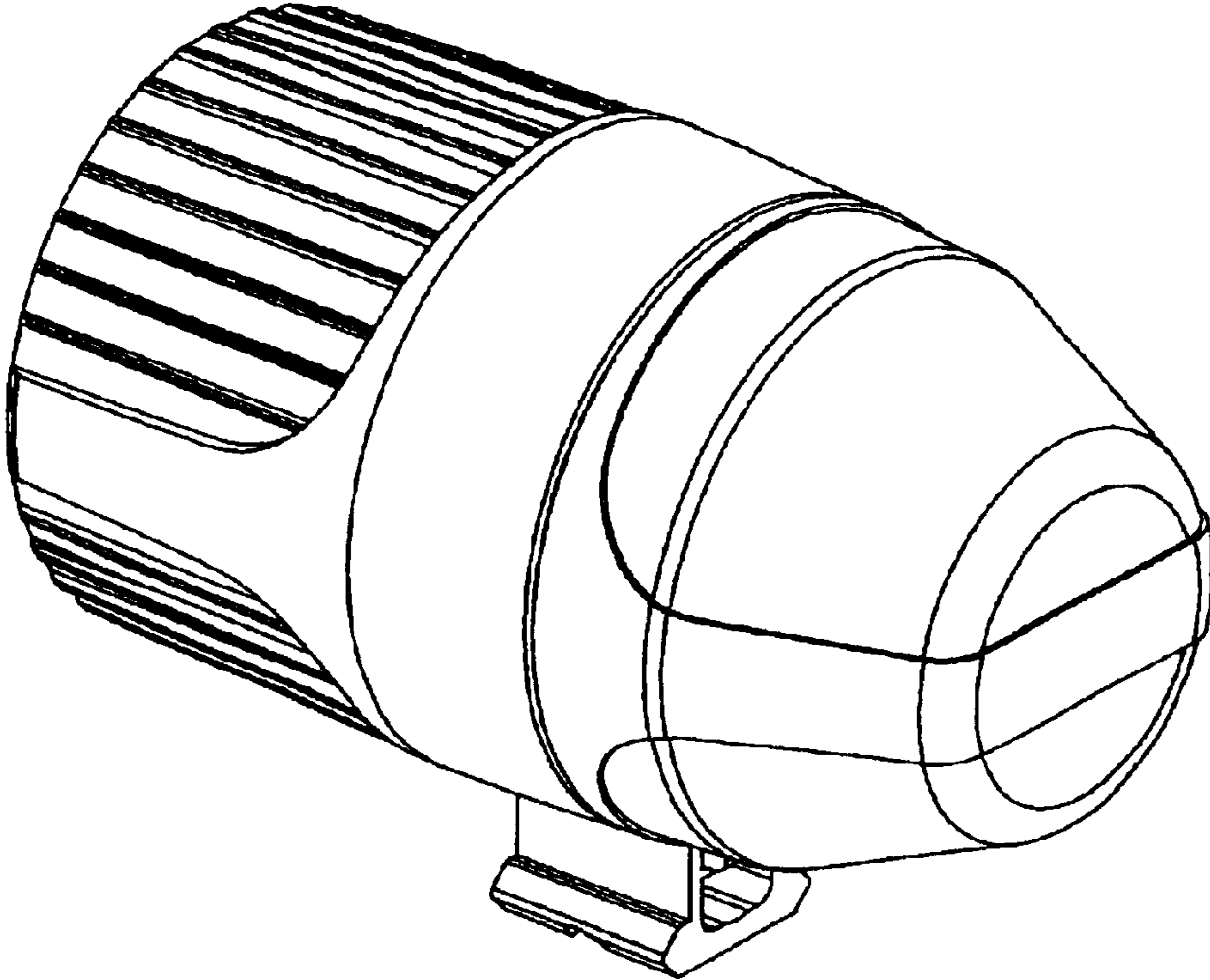


Figure 7

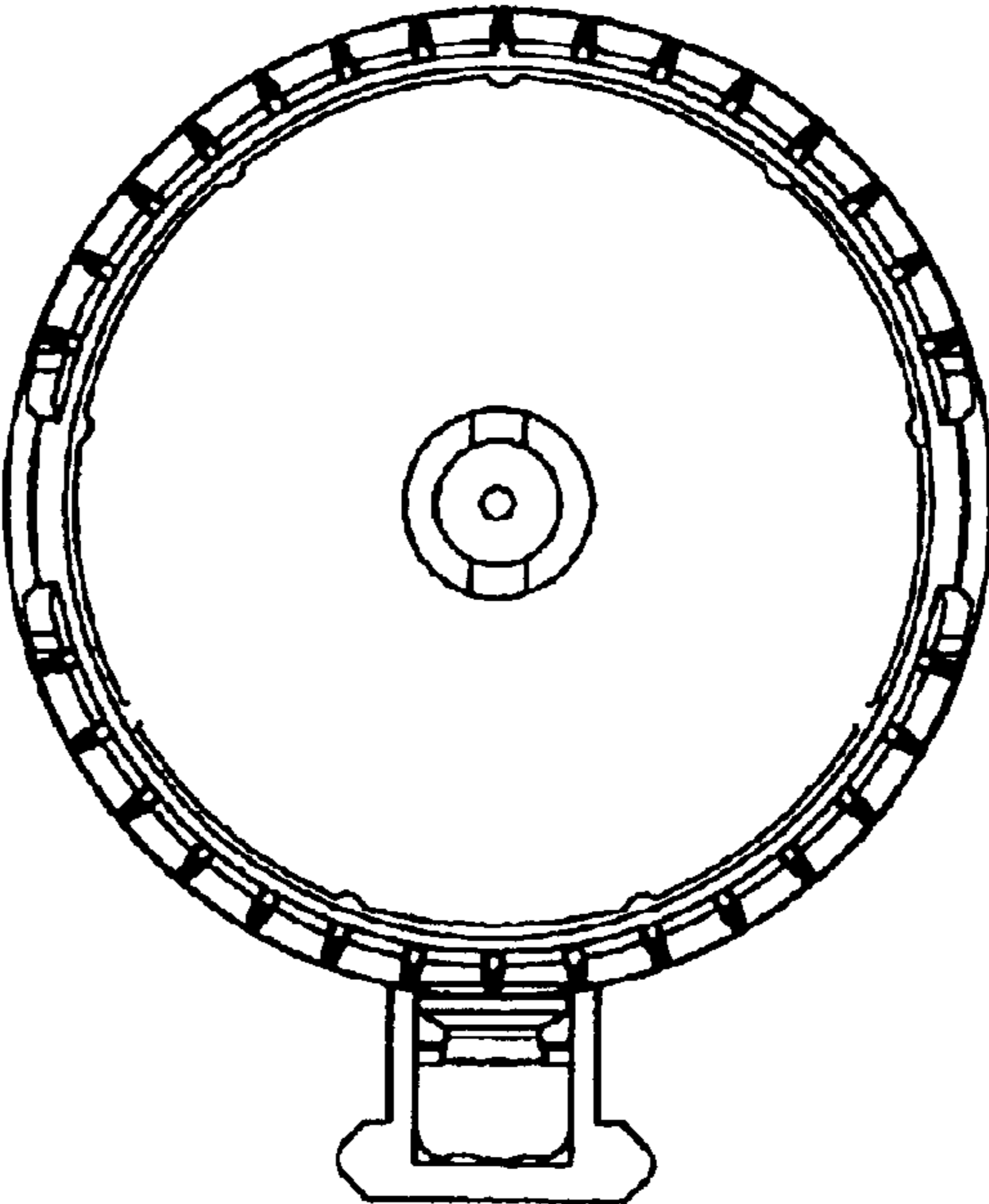


Figure 8