



US00D510400S

(12) **United States Design Patent**
Rockstad et al.

(10) **Patent No.: US D510,400 S**
(45) **Date of Patent: ** Oct. 4, 2005**

(54) **FLOAT**

(75) Inventors: **Jordon G. Rockstad**, Andover, KS (US); **Patricia A. Dunn**, Kinston, NC (US); **Andrew T. Metzger**, Belle Plaine, KS (US); **Jason McClintock**, Wichita, KS (US)

(73) Assignee: **The Coleman Company, Inc.**, Wichita, KS (US)

(**) Term: **14 Years**

(21) Appl. No.: **29/210,167**

(22) Filed: **Jul. 28, 2004**

(51) **LOC (8) Cl. 12-06**

(52) **U.S. Cl. D21/808; D6/600; D6/601; D6/604**

(58) **Field of Search D21/808, 801, D21/803, 809, 769, 770; D12/316; D6/600, 604, 601; 472/128, 129; 441/35, 65, 66, 129-131, 40-44; 114/345, 253; 5/907, 655.3, 644, 636**

(56) **References Cited**

U.S. PATENT DOCUMENTS

- D35,595 S * 1/1902 Bentley D6/600
- D35,606 S * 1/1902 Bentley D6/600
- D239,673 S * 4/1976 Ziegler D6/604
- 5,437,070 A * 8/1995 Rempp 5/636

- D435,621 S * 12/2000 Peterson D21/803
- 6,386,761 B1 * 5/2002 Bohnsack D6/601
- 6,859,964 B1 * 3/2005 Arnott 5/636

OTHER PUBLICATIONS

Company Kids, Spring-Summer, 2002, p. 16, flower pillow and rug, [retrieved Nov. 13, 2004]. Retrieved from internet using Google Advanced catalog search, <URL:www.companykids.com>.*

Chiang, Tung, "Uni Chair," 1 page, printed at <http://www.s-ref.ucam.org/~hmw26/join-the-dots/2004/04/20/uni-chair> on Jul. 30, 2004 (Apr. 2004).

* cited by examiner

Primary Examiner—Lucy Lieberman

(74) *Attorney, Agent, or Firm*—Leydig, Voit & Mayer, Ltd.

(57) **CLAIM**

The ornamental design for a float, as shown and described.

DESCRIPTION

FIG. 1 is a top, front and right side perspective view of a float showing our new design;

FIG. 2 is a front elevation thereof;

FIG. 3 is a right side elevation thereof;

FIG. 4 is a top view thereof; and,

FIG. 5 is a bottom plan view thereof.

The broken line showing is for illustrated purposes only and forms no part of the claimed design.

1 Claim, 3 Drawing Sheets

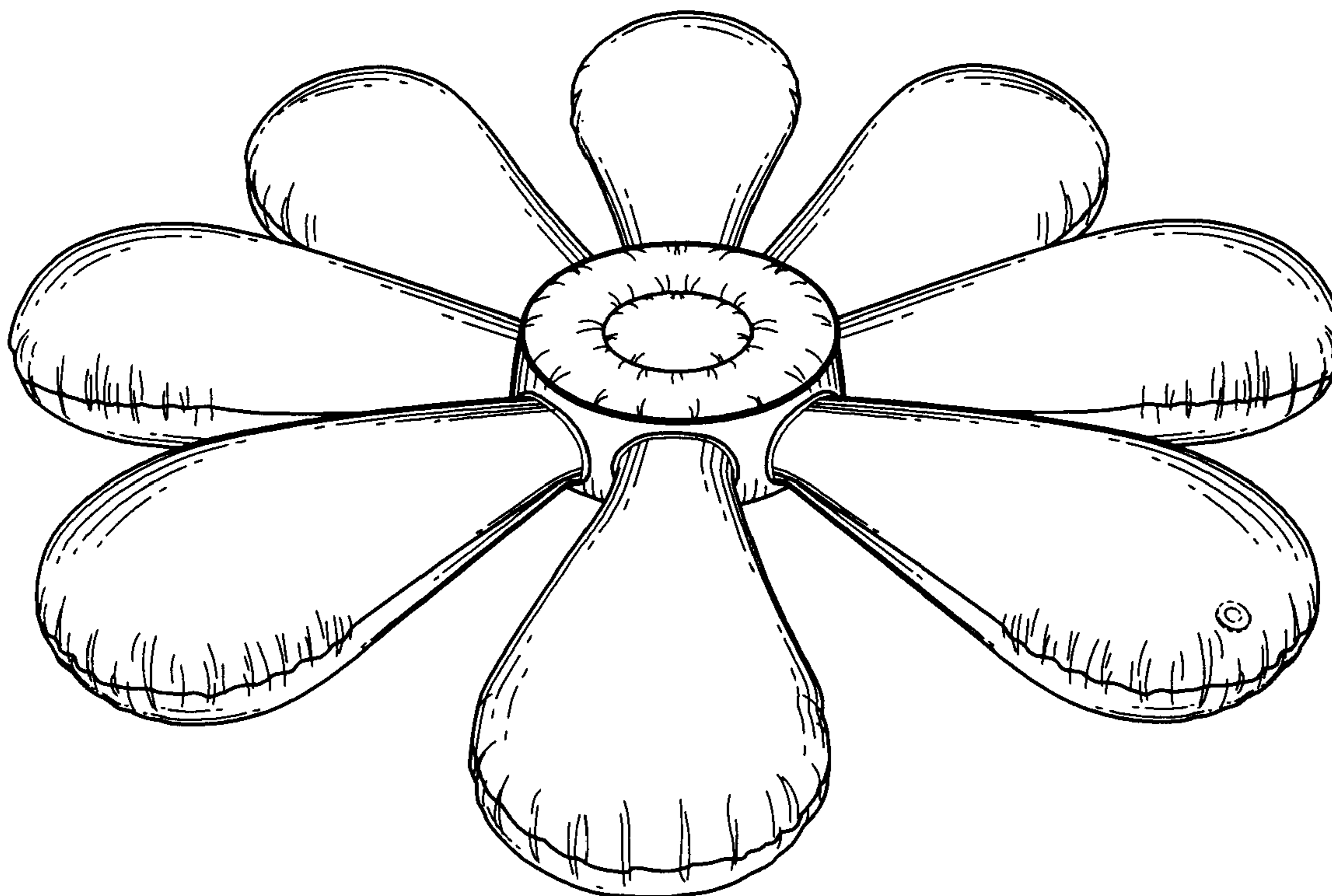


FIG. 1

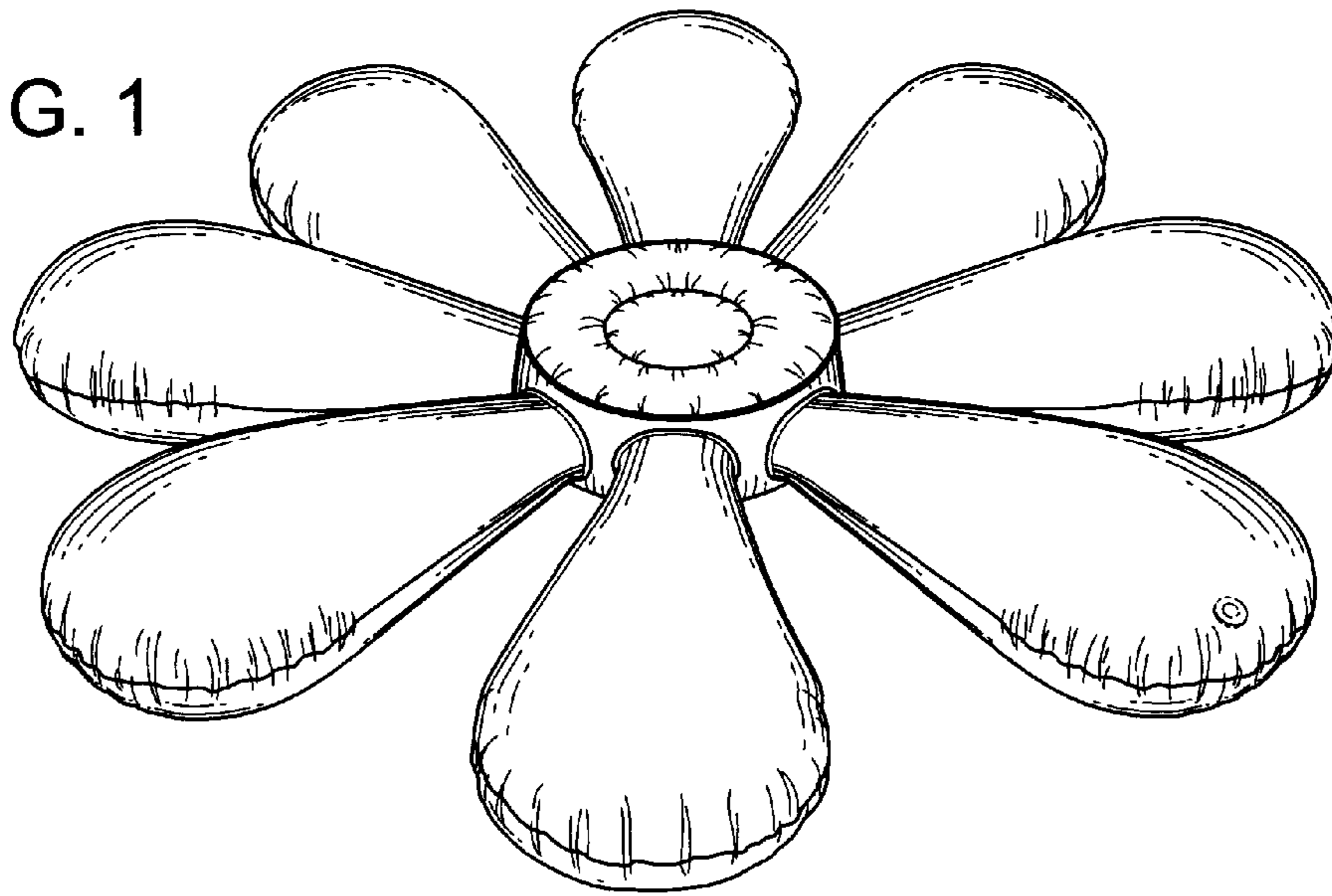


FIG. 2

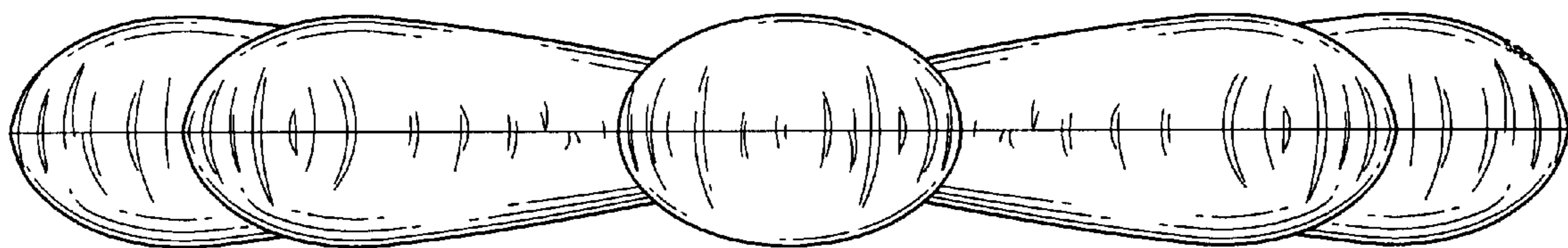


FIG. 3

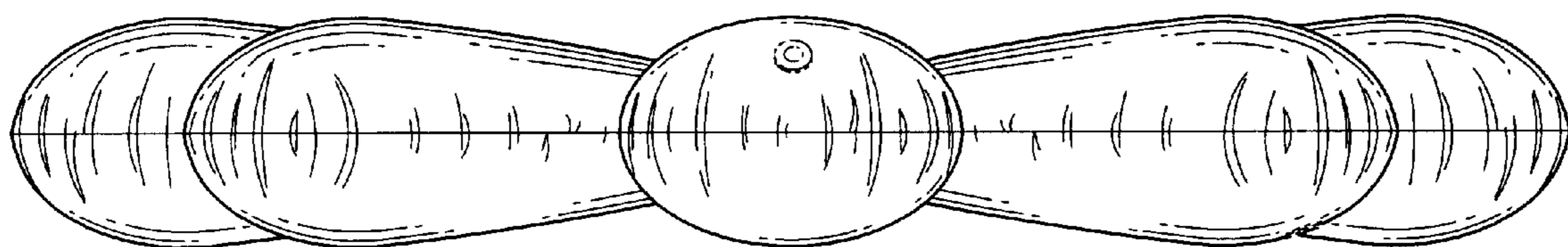


FIG. 4

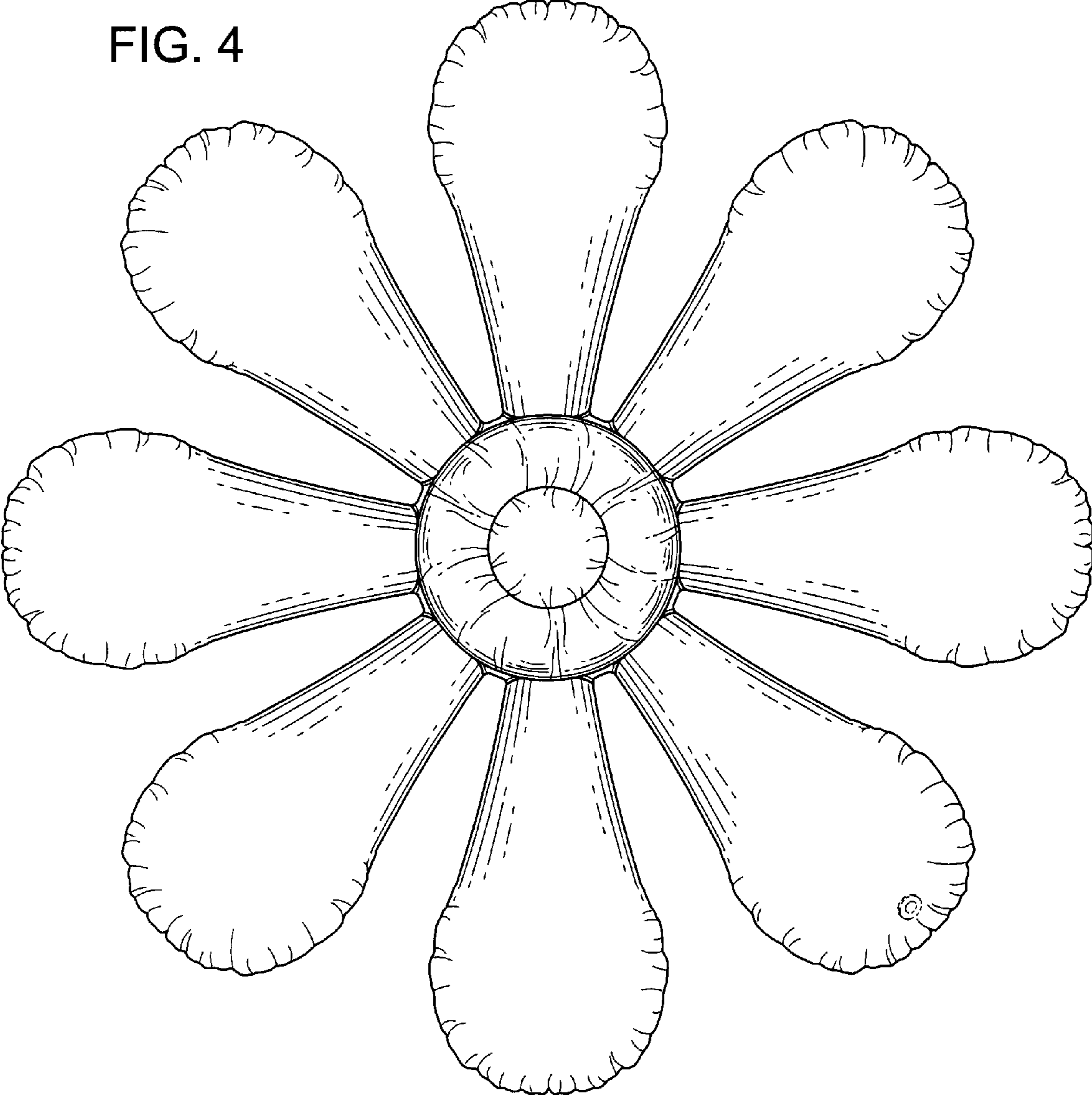


FIG. 5

