



US00D510398S

(12) **United States Design Patent**
Heil

(10) **Patent No.:** **US D510,398 S**

(45) **Date of Patent:** **** Oct. 4, 2005**

(54) **SKI LOCATOR**

(76) **Inventor:** **Joel L. Heil**, P.O. Box 324, Plaistow,
NH (US) 03865

(**) **Term:** **14 Years**

(21) **Appl. No.:** **29/203,501**

(22) **Filed:** **Apr. 16, 2004**

(51) **LOC (8) Cl.** **21-02**

(52) **U.S. Cl.** **D21/771**

(58) **Field of Search** D21/771, 772,
D21/754; D3/221, 261; D6/610; D20/19,
22; 150/154, 159, 160; 280/814, 809

(56) **References Cited**

U.S. PATENT DOCUMENTS

1,957,577	A	*	5/1934	Chapman	150/160
2,110,122	A	*	3/1938	Burgett	40/299.01
2,532,195	A	*	11/1950	Rosenow et al.	150/160
3,303,865	A	*	2/1967	Ouimet	150/160
4,191,233	A	*	3/1980	McKay	206/315.1
D295,544	S	*	5/1988	Rice	D21/754
5,022,678	A	*	6/1991	Mayfield	280/815
5,104,017	A	*	4/1992	Vandagriff	224/609
D423,596	S	*	4/2000	Morrison	D21/754

D432,193 S * 10/2000 Bradshaw D21/754
6,308,447 B1 * 10/2001 Tress 40/607.03

* cited by examiner

Primary Examiner—Lucy Lieberman

(57) **CLAIM**

The ornamental design for a ski locator, as shown and described.

DESCRIPTION

An identification mechanism to locate a ski. The identification mechanism comprises a velcro strap that may be placed on the ski. An optional alternative is to add the ski owner's initials to the identification mechanism.

FIG. 1 is a front view of a ski locator showing my new design;

FIG. 2 is a rear view thereof;

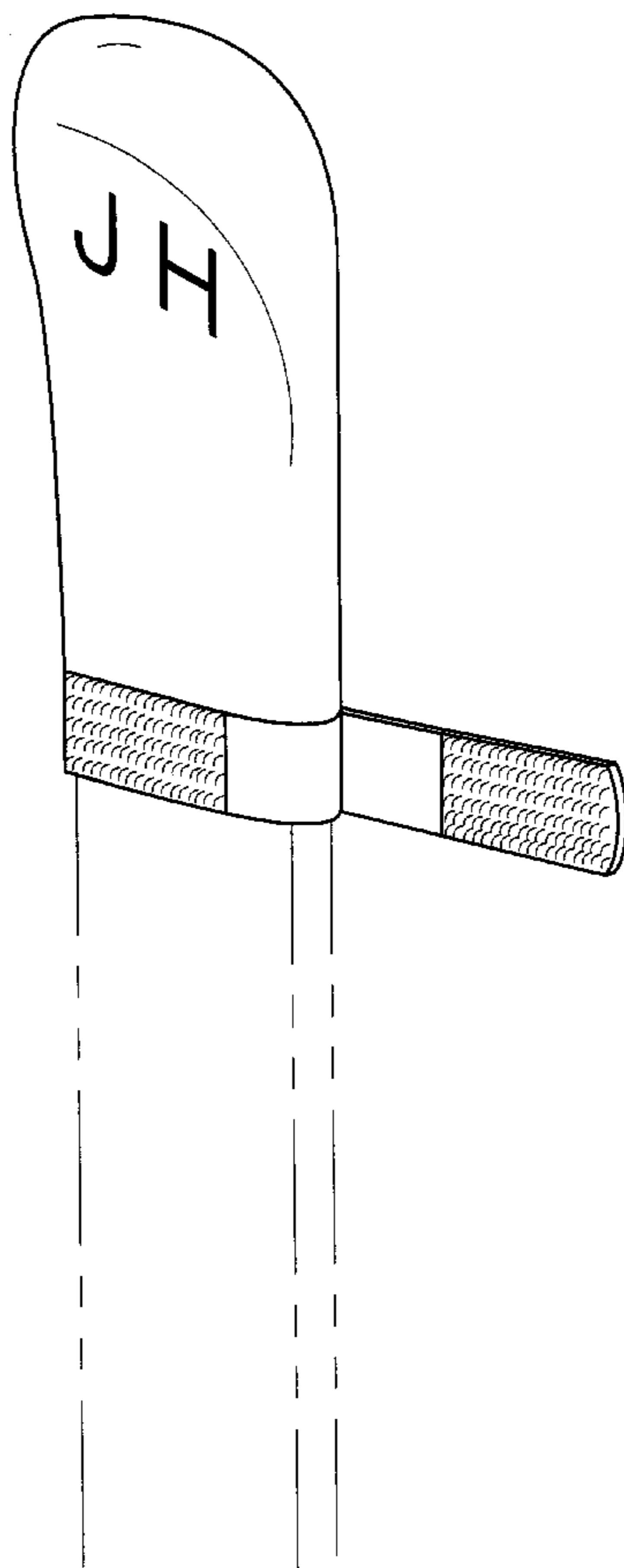
FIG. 3 is a top plan view thereof;

FIG. 4 is a bottom plan view thereof; and,

FIG. 5 is a front perspective view of the ski locator shown on a ski.

The broken lines showing a portion of a ski in FIG. 5 are for illustrative purposes only and do not form part of the claimed design.

1 Claim, 3 Drawing Sheets



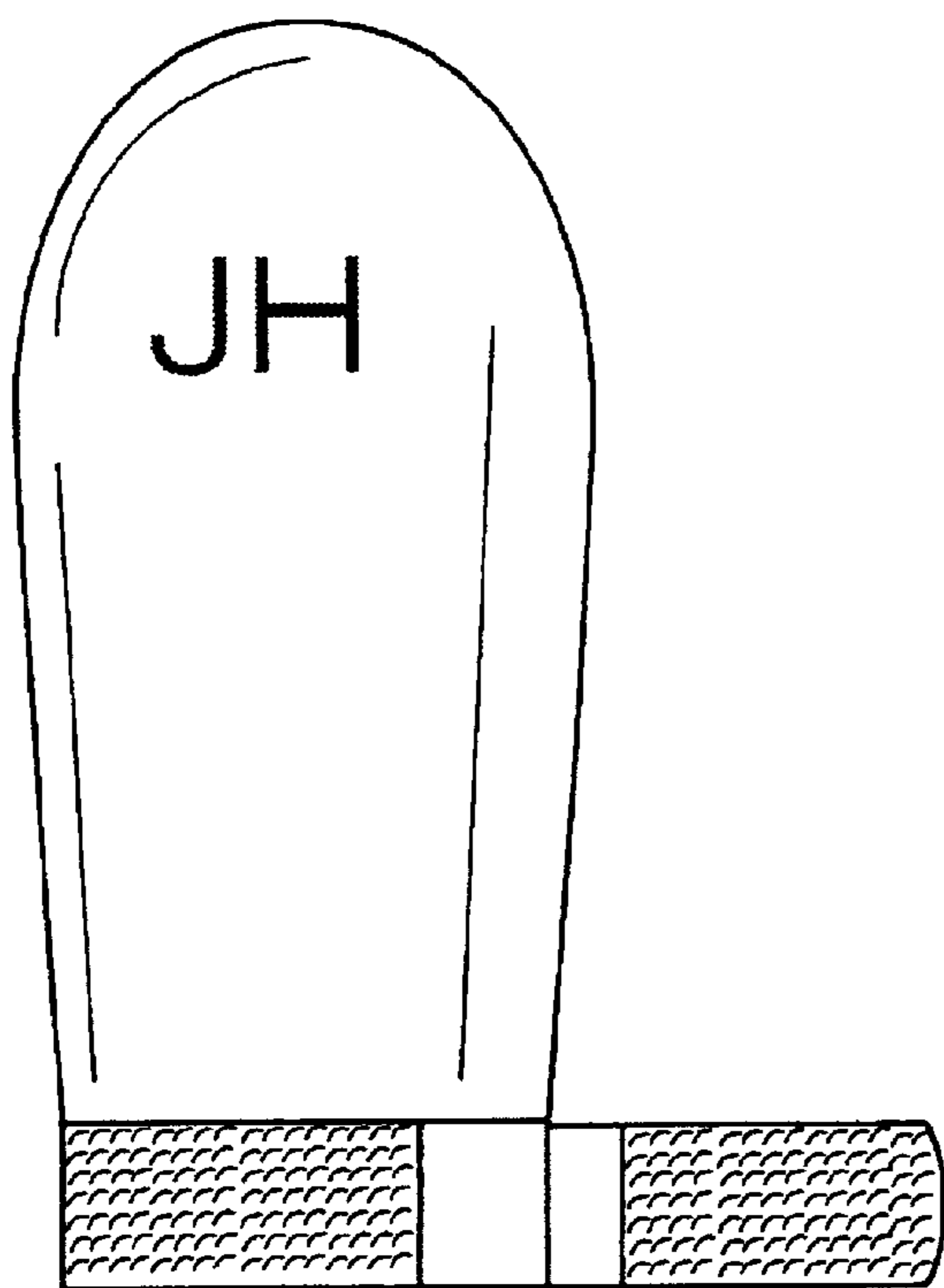


FIG. 1

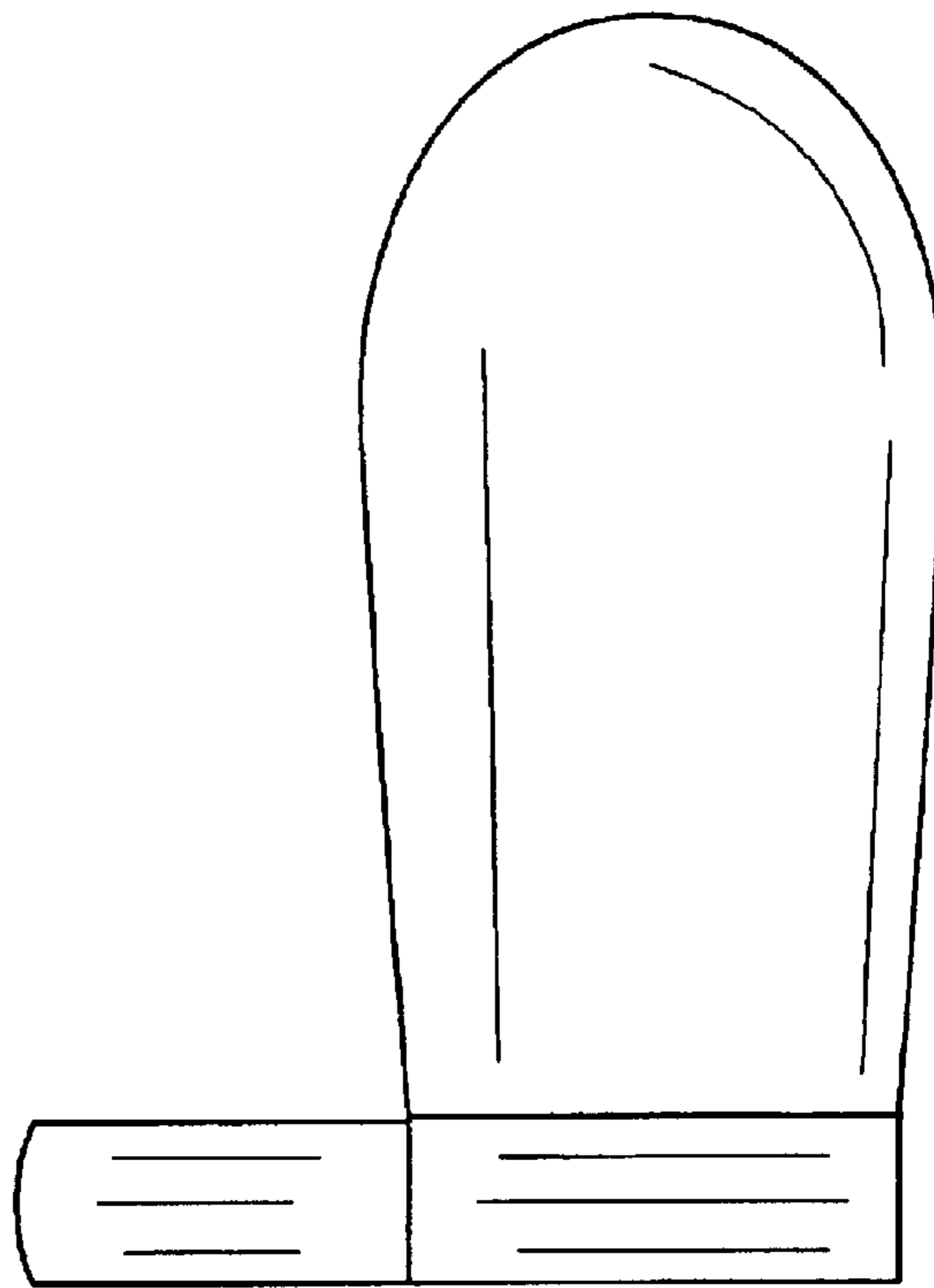


FIG. 2

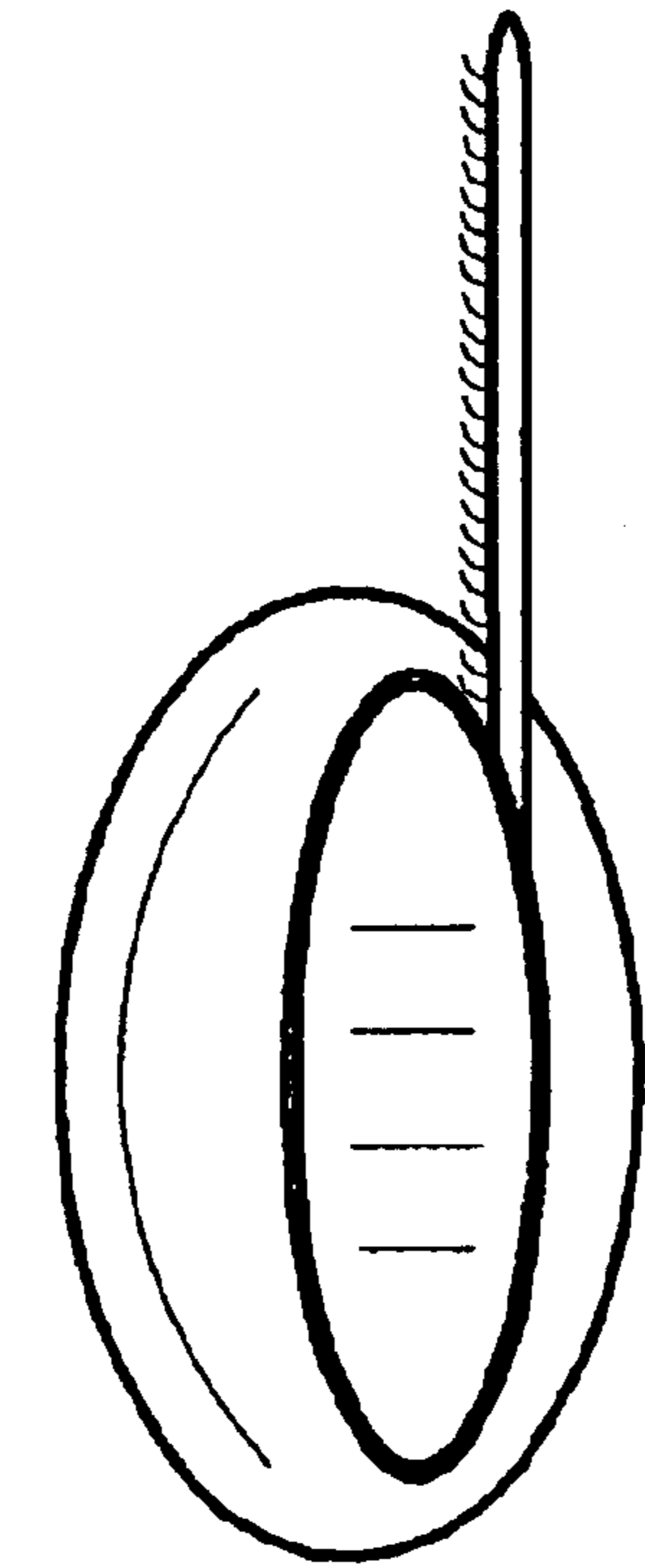


FIG. 3

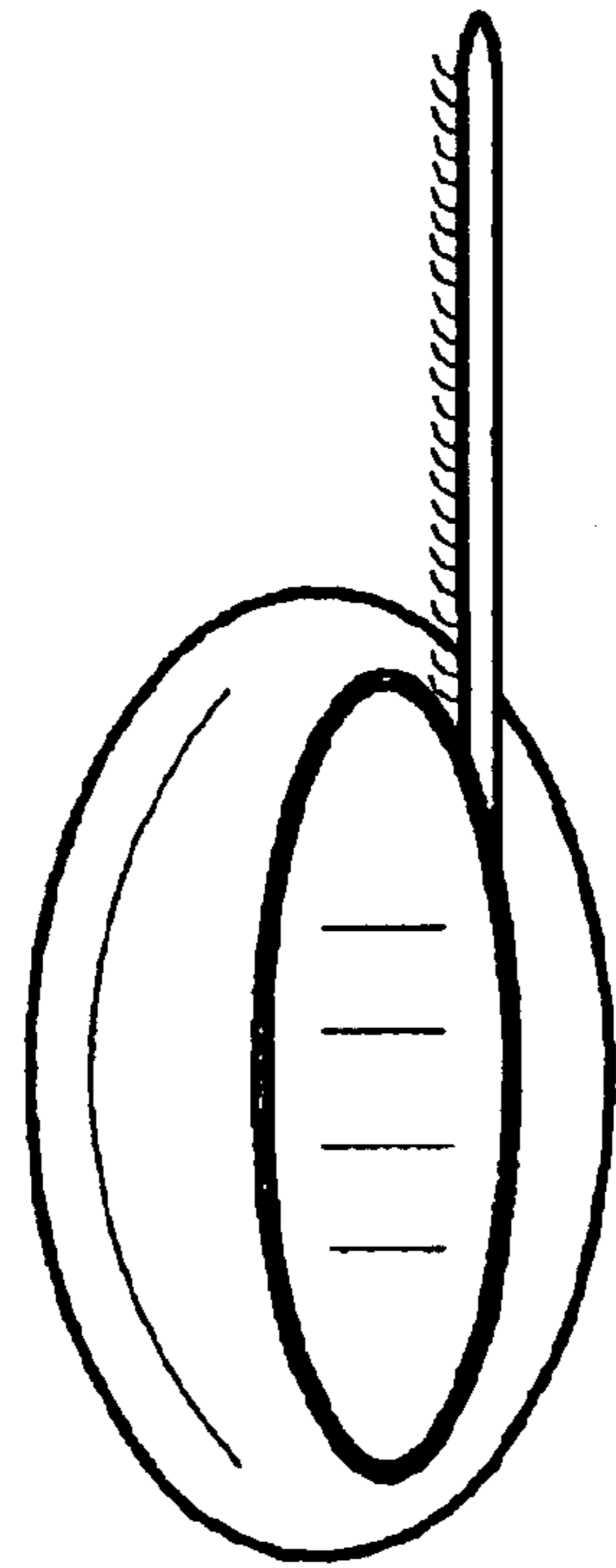


FIG. 4

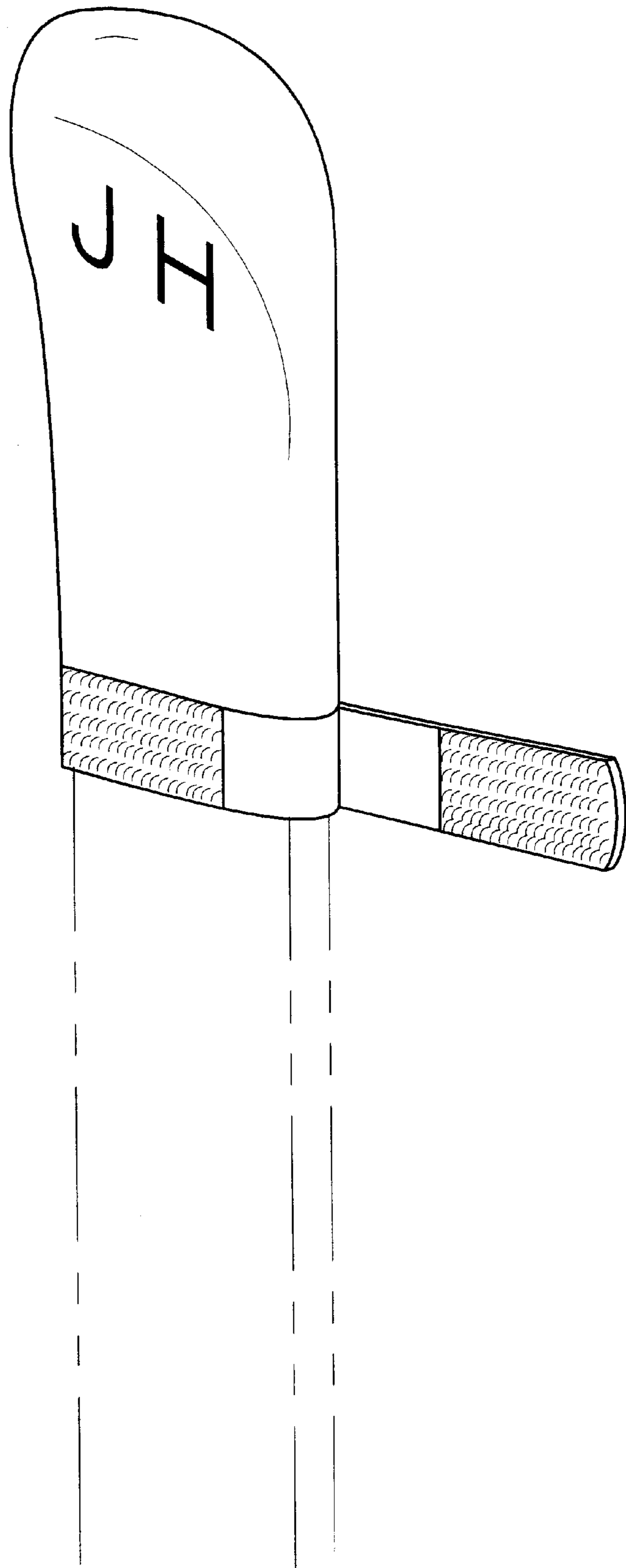


FIG. 5