

US00D510395S

(12) **United States Design Patent**
Miraflor et al.

(10) **Patent No.:** **US D510,395 S**
(45) **Date of Patent:** **** Oct. 4, 2005**

(54) **SOLE PORTION OF GOLF CLUB PUTTER HEAD**
(75) Inventors: **Jose Miraflor**, Carlsbad, CA (US);
Thomas Olsavsky, Encinitas, CA (US);
Steve Gray, Poway, CA (US)

(73) Assignee: **Taylor Made Golf Co., Inc.**, Carlsbad, CA (US)

(**) Term: **14 Years**

(21) Appl. No.: **29/198,985**

(22) Filed: **Feb. 6, 2004**

(51) **LOC (8) Cl.** **21-02**

(52) **U.S. Cl.** **D21/759**

(58) **Field of Search** D21/736-746,
D21/759; 473/324-331, 343-346

(56) **References Cited**

U.S. PATENT DOCUMENTS

3,966,210 A	6/1976	Rozmus	
D257,872 S	* 1/1981	MacDougall D21/744
D257,873 S	* 1/1981	MacDougall D21/745
4,423,874 A	1/1984	Stuff, Jr.	
4,655,459 A	4/1987	Antonious	
4,754,977 A	7/1988	Sahm	
4,828,266 A	5/1989	Tunstall	

4,869,507 A	9/1989	Sahm	
4,872,683 A	10/1989	Doran et al.	
D364,666 S	* 11/1995	Nagy D21/743
D368,752 S	* 4/1996	Patten D21/745
5,803,825 A	9/1998	Hamilton	
6,375,583 B1	4/2002	Solheim	
6,450,894 B1	9/2002	Sun et al.	
D478,140 S	* 8/2003	Burrows D21/752
D490,870 S	* 6/2004	Burrows D21/752

* cited by examiner

Primary Examiner—Mitchell Siegel

(74) *Attorney, Agent, or Firm*—Sheppard, Mullin, Richter & Hampton LLP

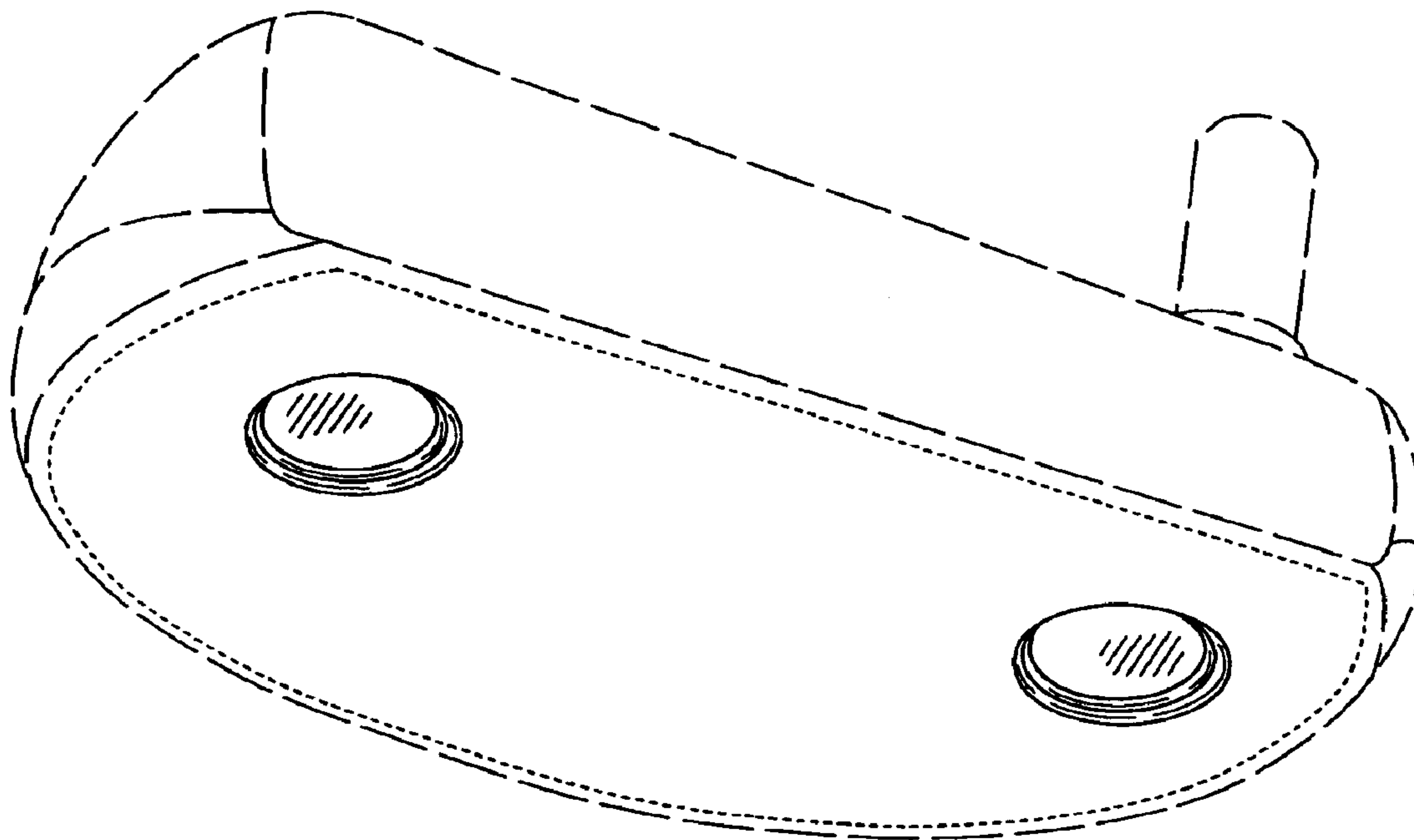
(57) **CLAIM**

We claim the ornamental design for a sole portion of a golf club putter head, as shown and described.

DESCRIPTION

FIG. 1 is a perspective view of the sole portion of a golf club putter head embodying our new design; and FIG. 2 is a rear elevational view thereof; FIG. 3 is a plan view thereof; FIG. 4 is a left side elevational view thereof; and, FIG. 5 is a right side elevational view thereof. The broken line showing is for illustrative purposes only and forms no part of the claimed design.

1 Claim, 2 Drawing Sheets



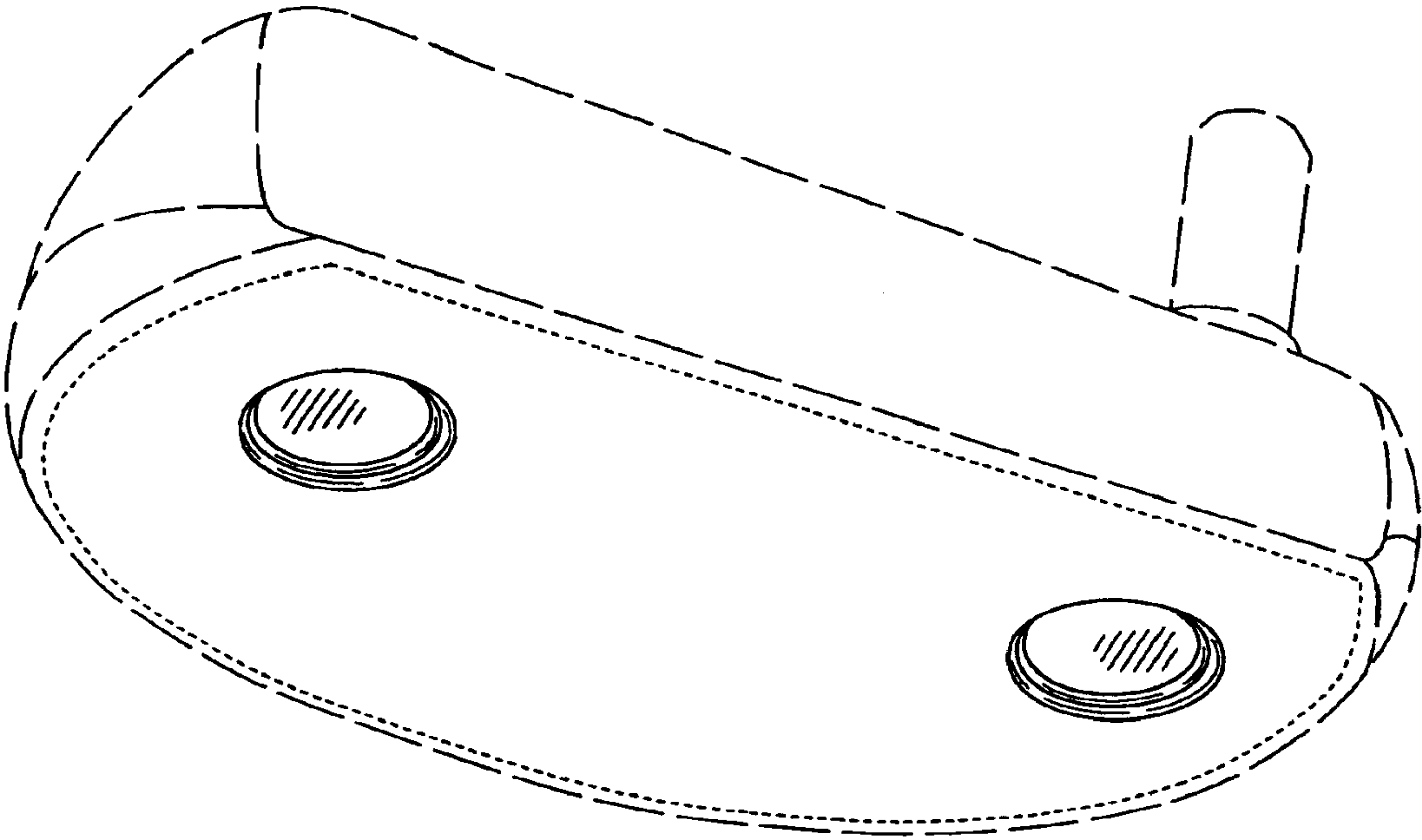


FIG. 1

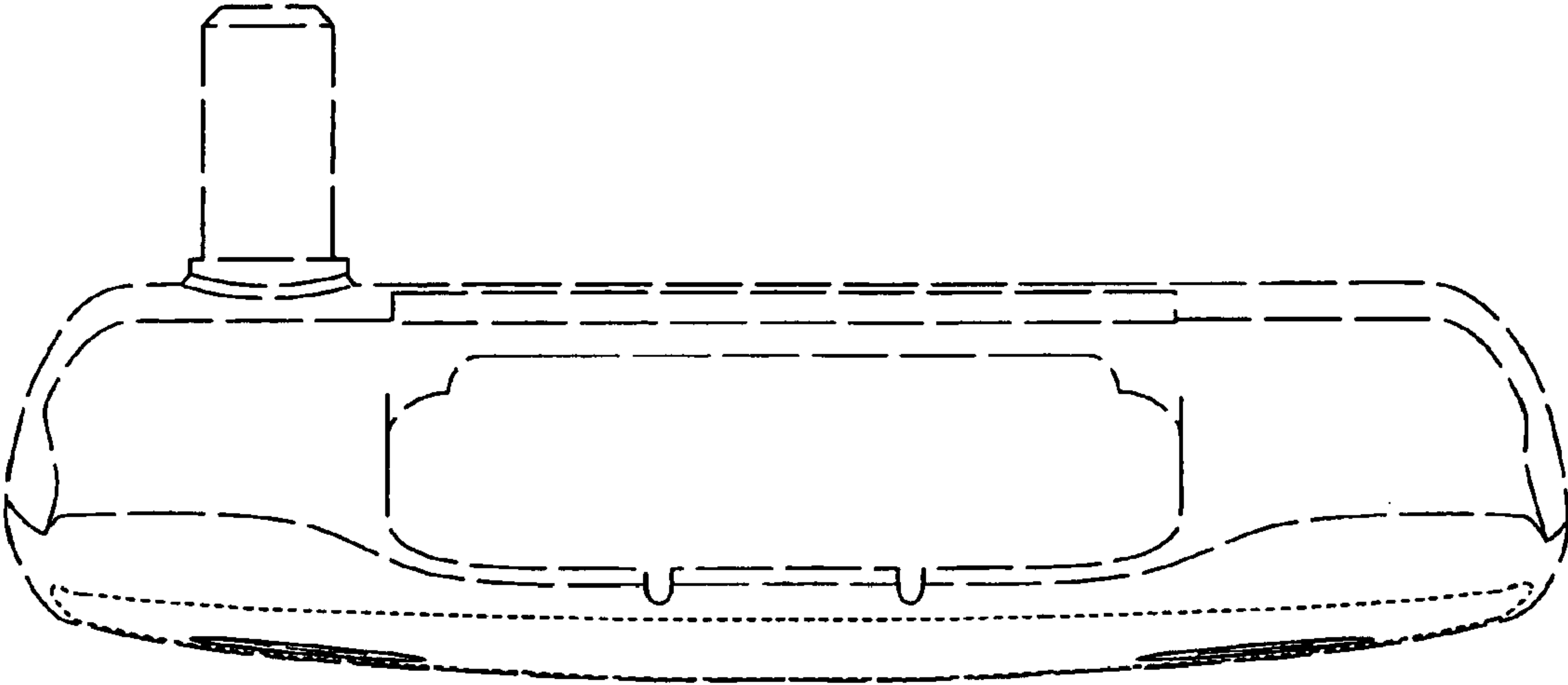


FIG. 2

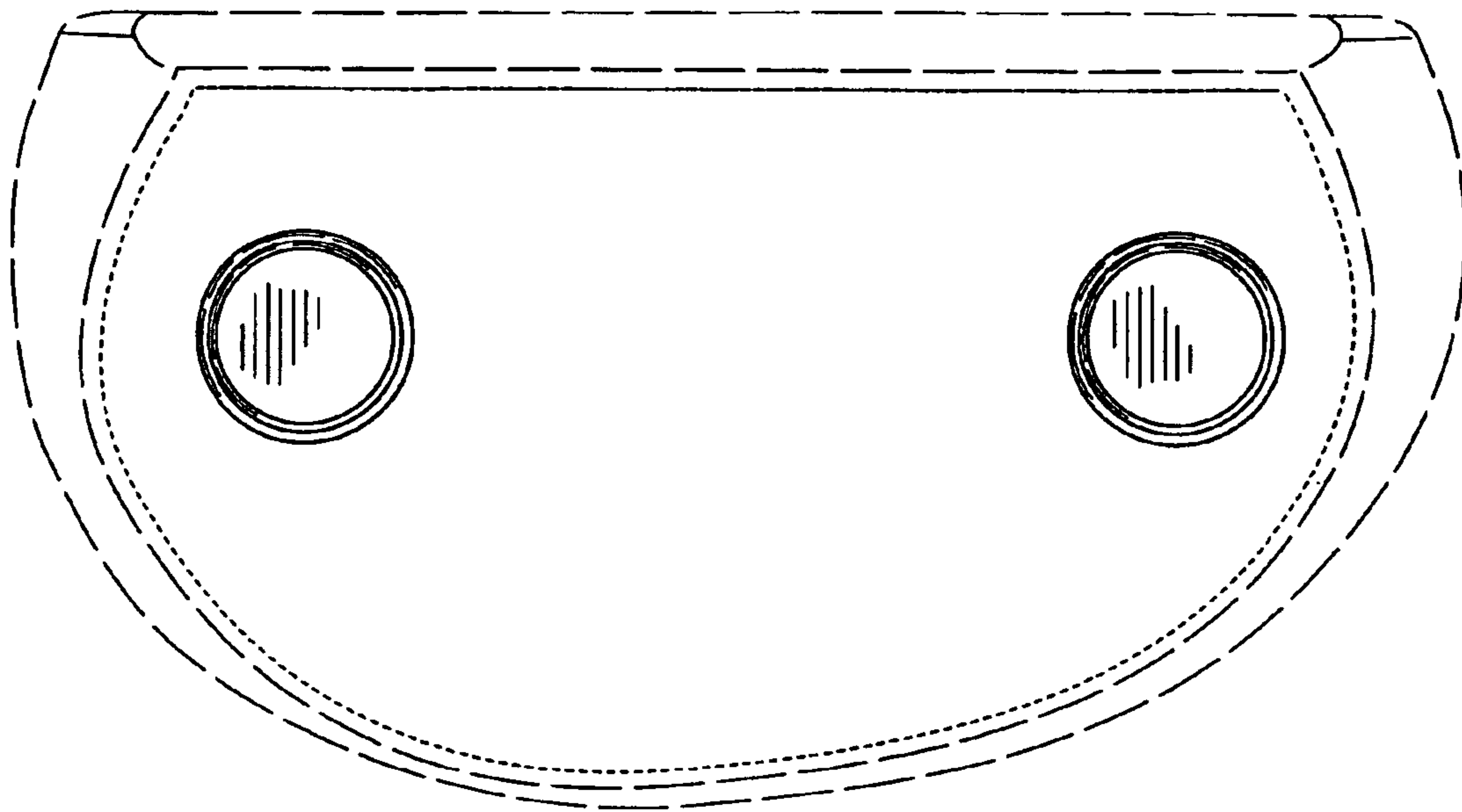


FIG. 3

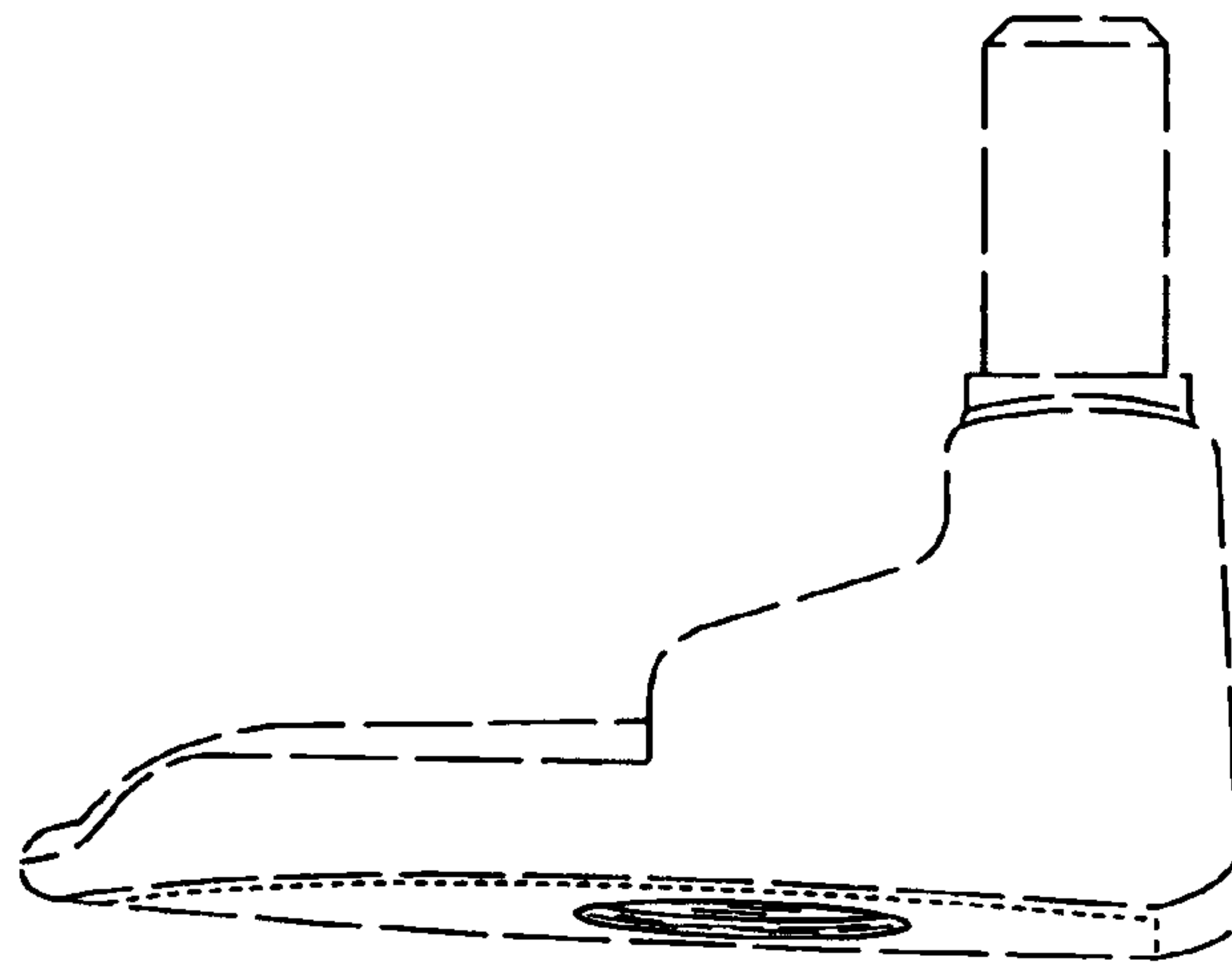


FIG. 4

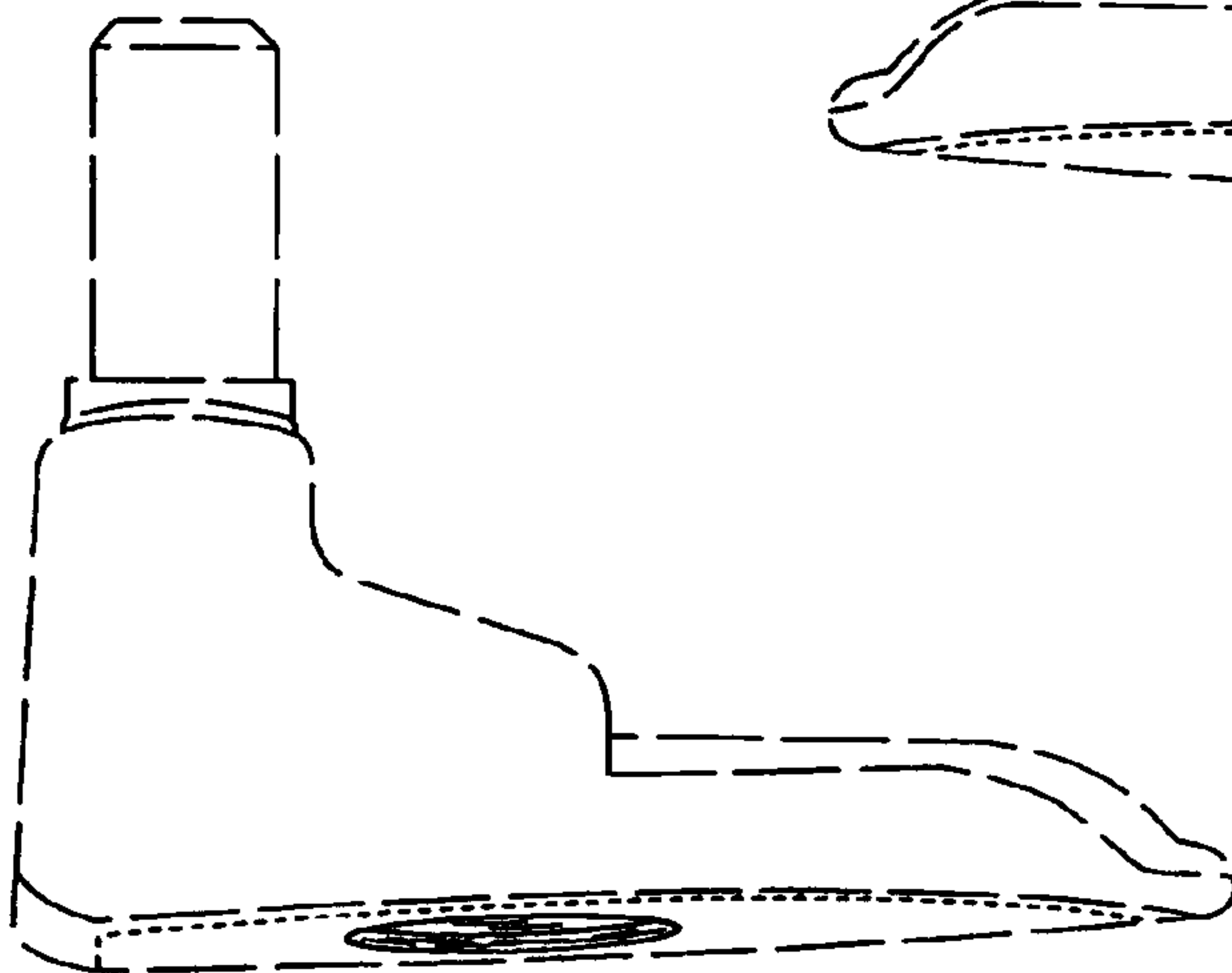


FIG. 5