



US00D510394S

(12) **United States Design Patent**
Tang et al.

(10) **Patent No.:** **US D510,394 S**
(45) **Date of Patent:** **** Oct. 4, 2005**

(54) **PUTTER HEAD**
(75) Inventors: **Larry G. Tang**, Carlsbad, CA (US);
Augustin W. Rollinson, Carlsbad, CA (US)
(73) Assignee: **Callaway Golf Company**, Carlsbad, CA (US)
(**) Term: **14 Years**
(21) Appl. No.: **29/208,617**
(22) Filed: **Jun. 30, 2004**
(51) **LOC (8) Cl.** **21-02**
(52) **U.S. Cl.** **D21/742**
(58) **Field of Search** D21/736-746;
473/324-331, 251-256, 340-341

D461,514 S 8/2002 Tang et al.
D461,515 S 8/2002 Tang et al.
D461,860 S 8/2002 Tang
D461,861 S 8/2002 Tang et al.
D463,002 S 9/2002 Tang et al.
D467,985 S 12/2002 Tang et al.
D470,904 S 2/2003 Tang et al.
D471,245 S 3/2003 Tang et al.
D471,940 S 3/2003 Tang et al.
D472,594 S 4/2003 Tang et al.
D472,595 S 4/2003 Tang et al.
D479,291 S 9/2003 Murray
D481,089 S * 10/2003 Breier et al. D21/738
D484,935 S 1/2004 Tang
D485,321 S 1/2004 Breier et al.
D485,323 S 1/2004 Wagner et al.
D496,417 S * 9/2004 Tang D21/738
D496,418 S * 9/2004 Tang et al. D21/738

* cited by examiner

(56) **References Cited**
U.S. PATENT DOCUMENTS

D196,736 S 10/1963 DeCarlo
D229,204 S 11/1973 Romero
D241,563 S 9/1976 McCord
4,141,556 A 2/1979 Paulin
4,444,395 A 4/1984 Reiss
4,688,798 A 8/1987 Pelz
D309,765 S 8/1990 Pelz
D309,766 S 8/1990 Pelz
D317,034 S 5/1991 Pelz
D317,962 S 7/1991 Pelz
5,685,784 A 11/1997 Butler
D389,539 S * 1/1998 Moore D21/739
D395,692 S 6/1998 Butler
D437,017 S * 1/2001 Ford D21/744
D457,586 S 5/2002 Tang et al.
D458,656 S 6/2002 Tang et al.

Primary Examiner—Mitchell Siegel
(74) *Attorney, Agent, or Firm*—Michael A. Catania; Elaine H. Lo

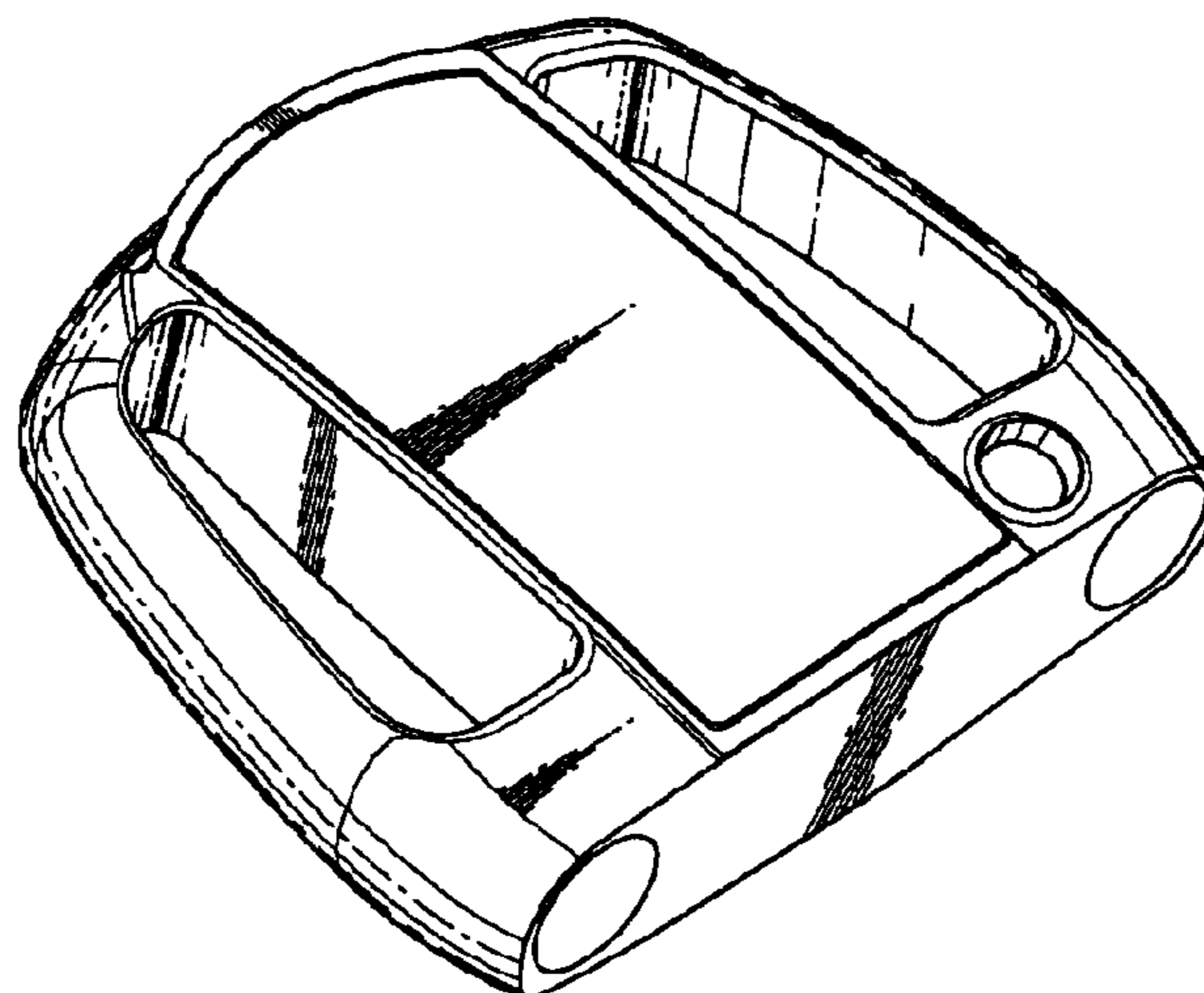
(57) **CLAIM**

The ornamental design for a putter head, as shown and described.

DESCRIPTION

FIG. 1 is a top perspective view thereof;
FIG. 2 is a top plan view thereof;
FIG. 3 is a front plan view thereof;
FIG. 4 is a toe plan view thereof;
FIG. 5 is a bottom plan view thereof; and,
FIG. 6 is a rear plan view thereof.

1 Claim, 3 Drawing Sheets



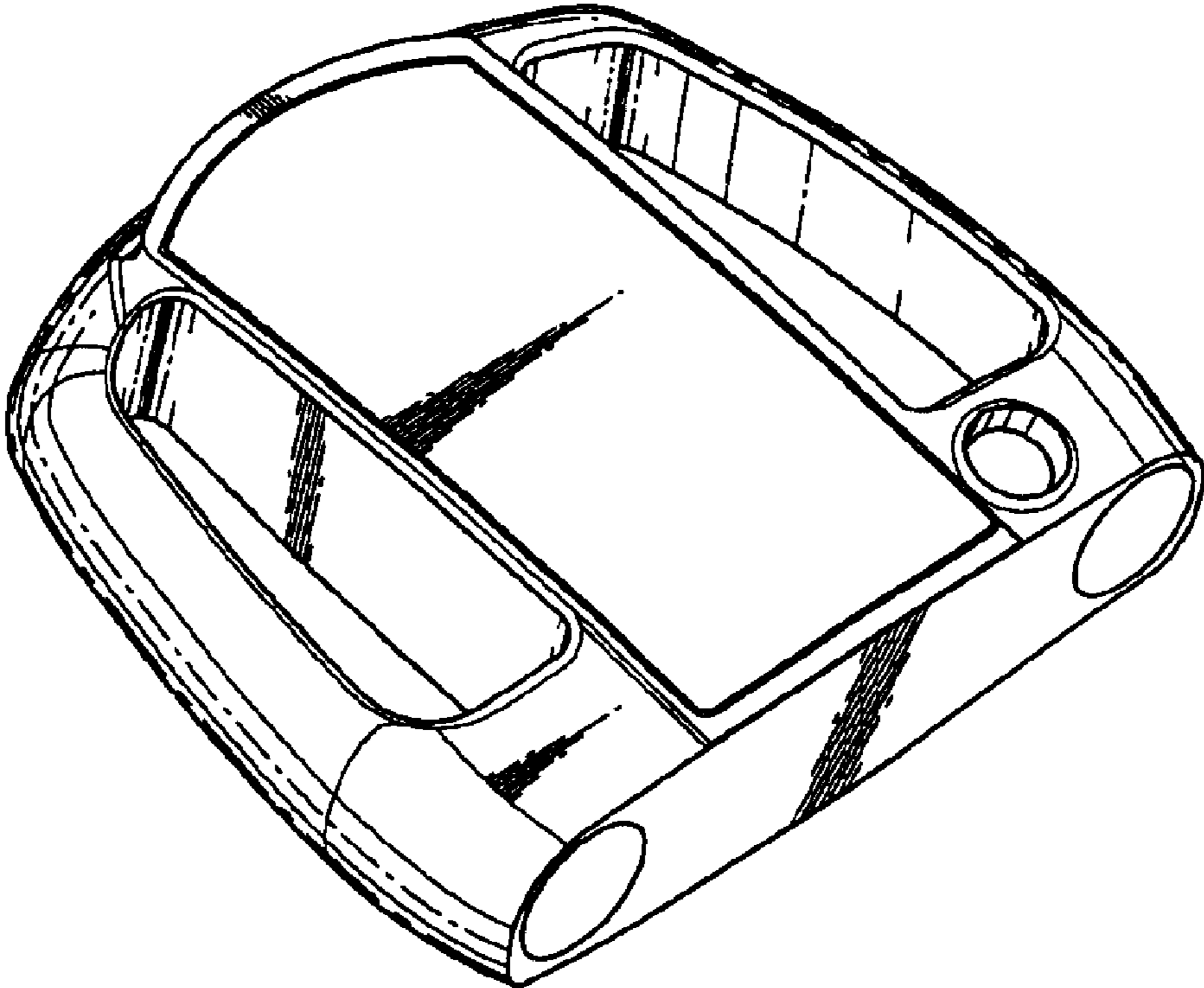


FIG. 1

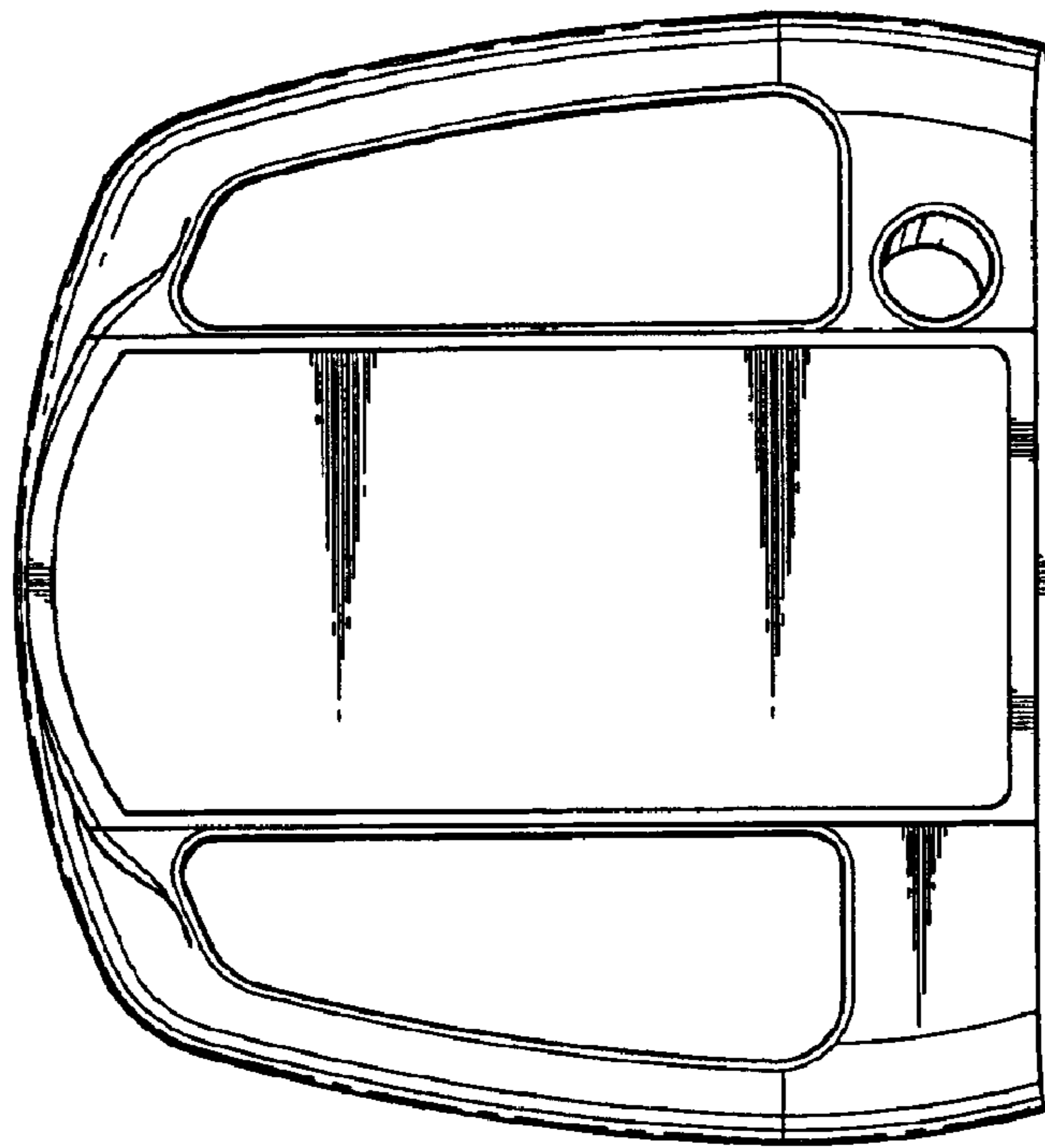


FIG. 2

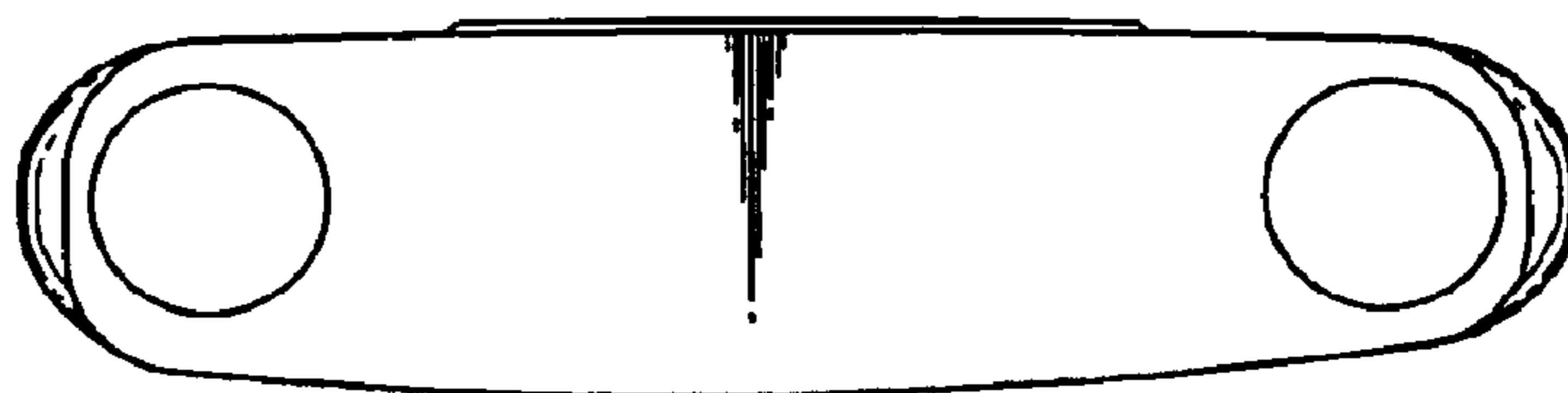


FIG. 3



FIG. 4

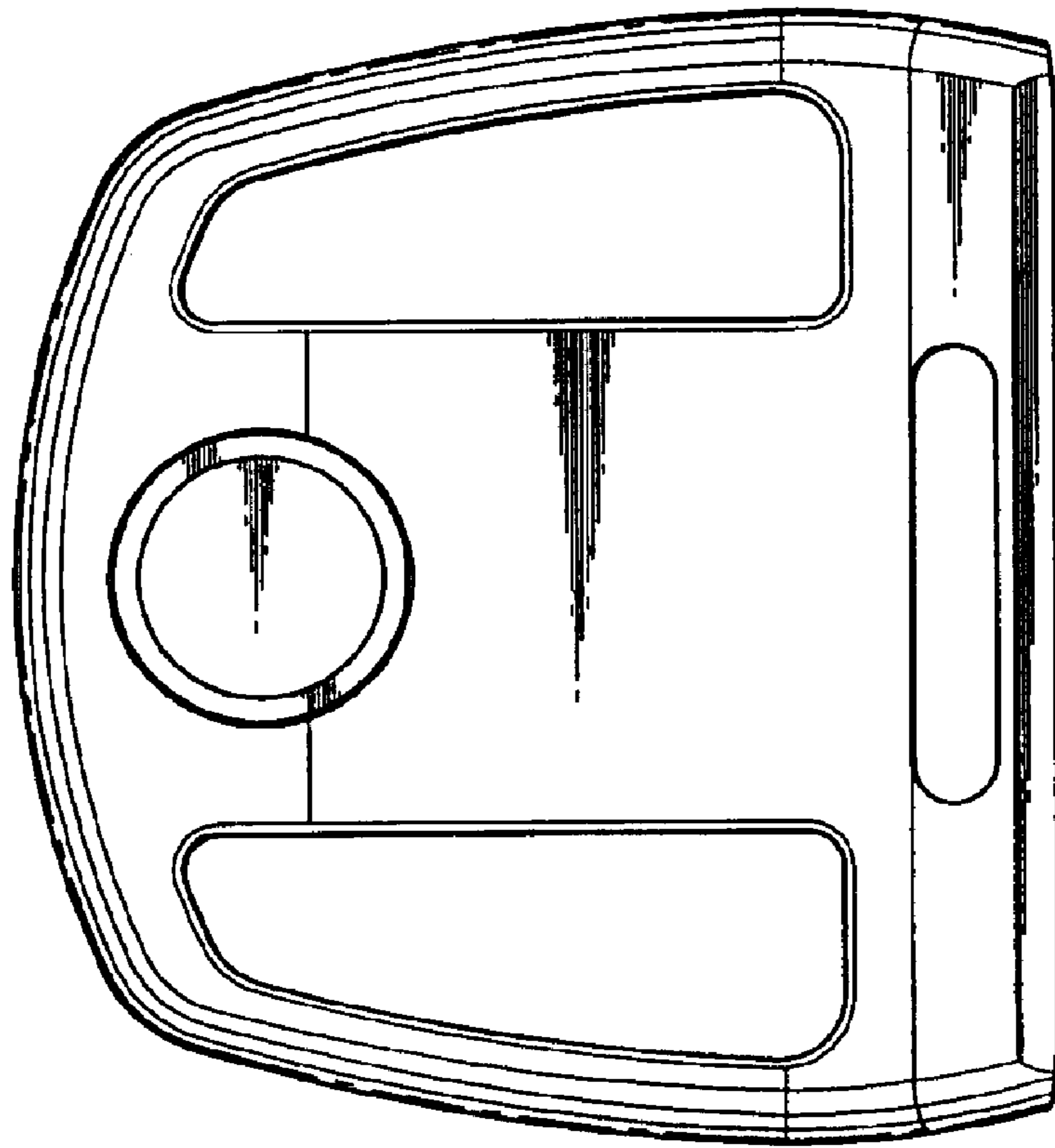


FIG. 5

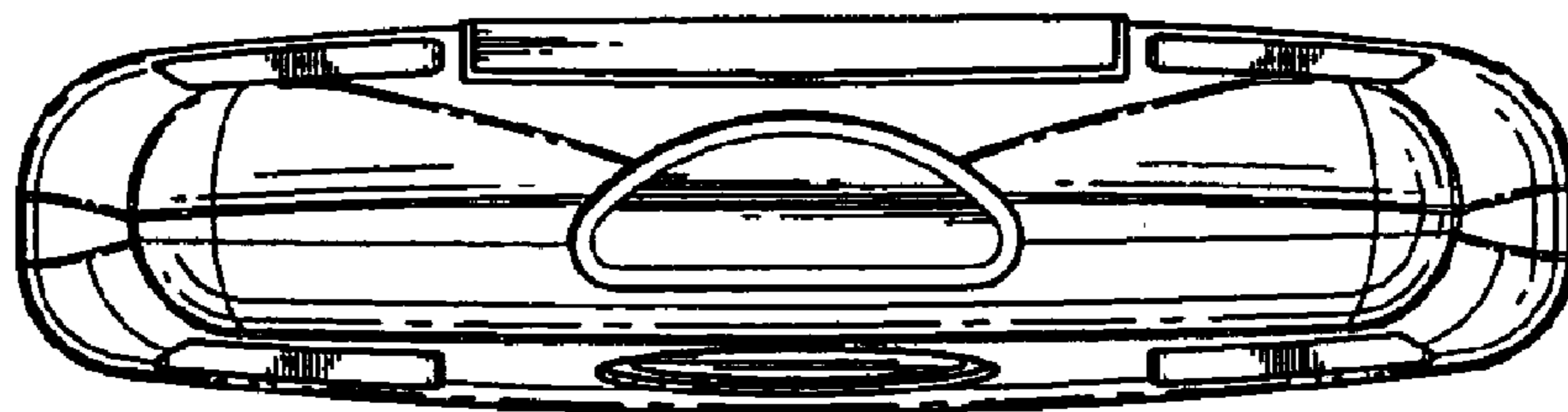


FIG. 6