



US00D510393S

(12) **United States Design Patent**  
**Trufant et al.**

(10) **Patent No.:** **US D510,393 S**  
(45) **Date of Patent:** **\*\* Oct. 4, 2005**

(54) **TOY SUITCASE**

(76) Inventors: **Sally Adams Trufant**, 300 McDonald Ave., Mobile, AL (US) 36604; **Jane Trufant Harvey**, 22 River Cypress La., Madisonville, LA (US) 70447

(\*\*) **Term:** **14 Years**

(21) **Appl. No.:** **29/195,452**

(22) **Filed:** **Dec. 11, 2003**

(51) **LOC (8) Cl.** ..... **21-01**

(52) **U.S. Cl.** ..... **D21/483; D3/282**

(58) **Field of Search** ..... D21/483, 475, D21/398; D3/282, 276, 905, 294, 900, 291, 284; 206/349, 372-373, 379; D19/35; 446/73, 75-77; 190/100

(56) **References Cited**

**U.S. PATENT DOCUMENTS**

D218,922 S	*	10/1970	Vore et al.	.....	D6/633
D222,478 S	*	10/1971	Massaccesi et al.	.....	D3/282
D235,582 S	*	6/1975	Beck	.....	D3/282
D266,682 S	*	10/1982	Airlie	.....	D21/475
D270,209 S	*	8/1983	Garth	.....	D3/282
D293,738 S	*	1/1988	Nadeau	.....	D3/282
D293,739 S	*	1/1988	Nadeau	.....	D3/284
D324,608 S	*	3/1992	Forbes	.....	D3/900
D336,366 S	*	6/1993	Slayton	.....	D19/35

D349,947 S	*	8/1994	Hing-Wah	.....	D23/223
D368,371 S	*	4/1996	Calmeise	.....	D3/276
D408,142 S	*	4/1999	Song	.....	D3/291
D474,340 S	*	5/2003	Vasudeva	.....	D3/905

\* cited by examiner

*Primary Examiner*—Raphael Barkai  
(74) *Attorney, Agent, or Firm*—Michael D. Carbo

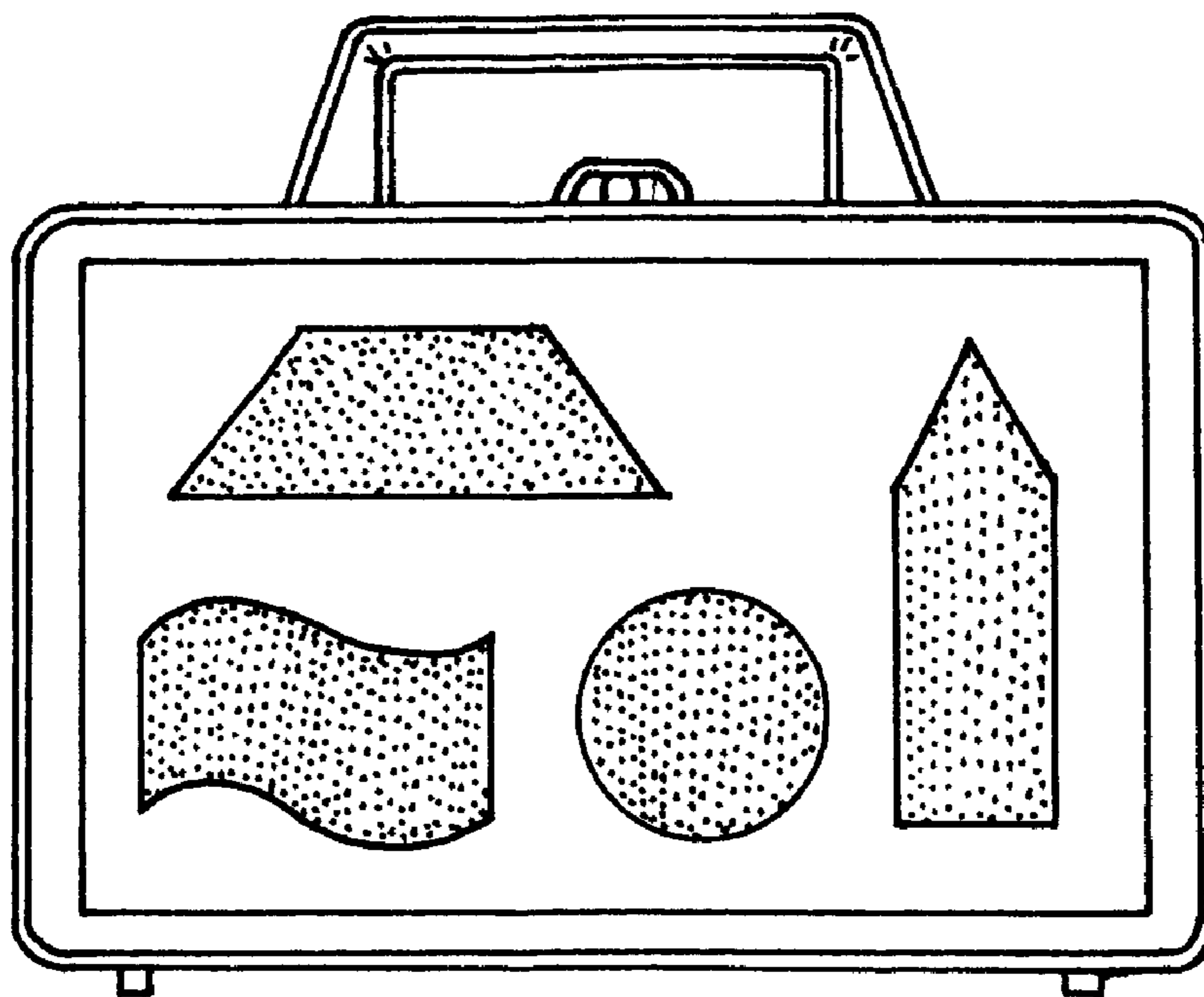
(57) **CLAIM**

The ornamental design for a toy suitcase, as shown and described.

**DESCRIPTION**

FIG. 1 is a front view of a toy suitcase according to the invention.  
 FIG. 2 is a back view of a toy suitcase according to the invention.  
 FIG. 3 is left side view of a toy suitcase according to the invention.  
 FIG. 4 is a right side view of a toy suitcase according to the invention.  
 FIG. 5 is a top view of a toy suitcase according to the invention.  
 FIG. 6 is a bottom view of a toy suitcase according to the invention; and,  
 FIG. 7 is a perspective view of a toy suitcase according to the invention.

**1 Claim, 1 Drawing Sheet**



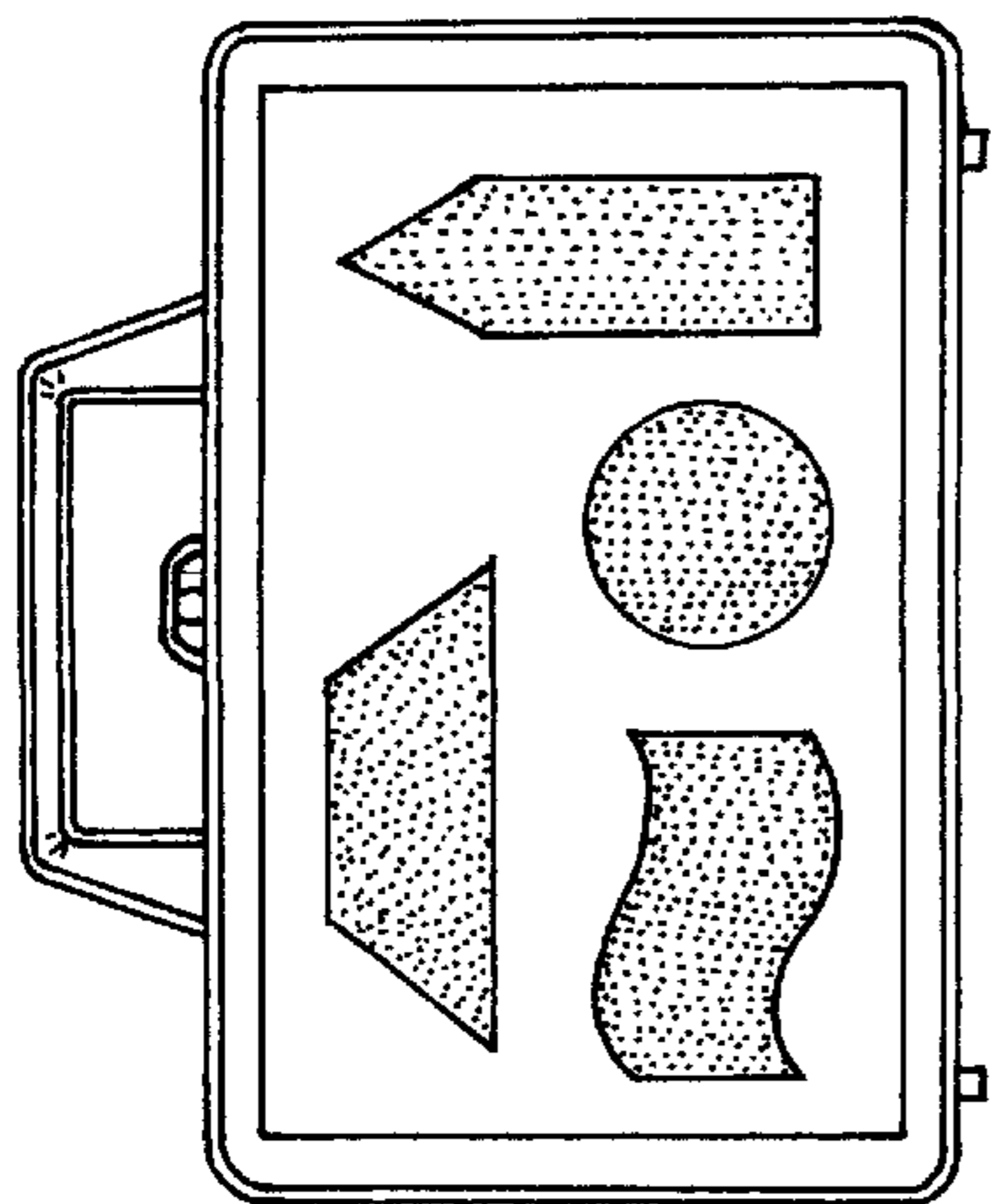


FIG. 1

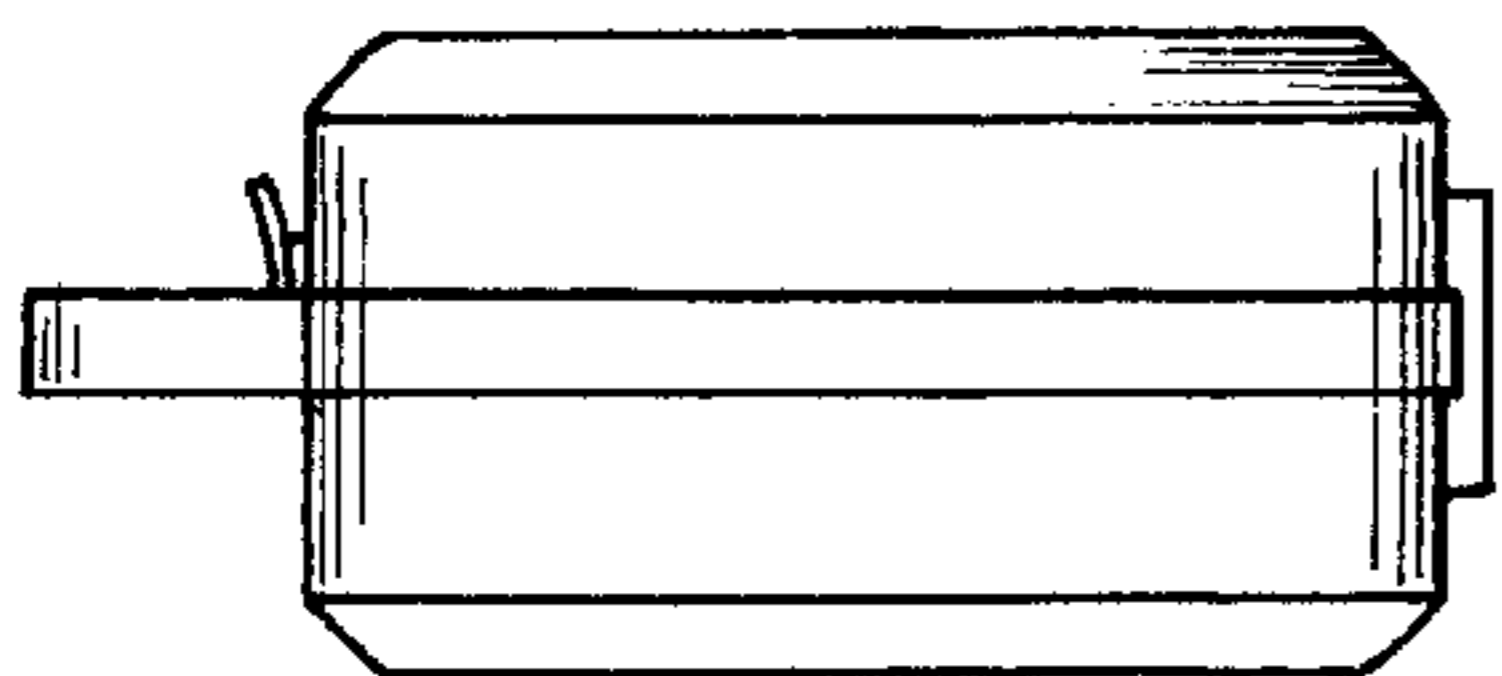


FIG. 3

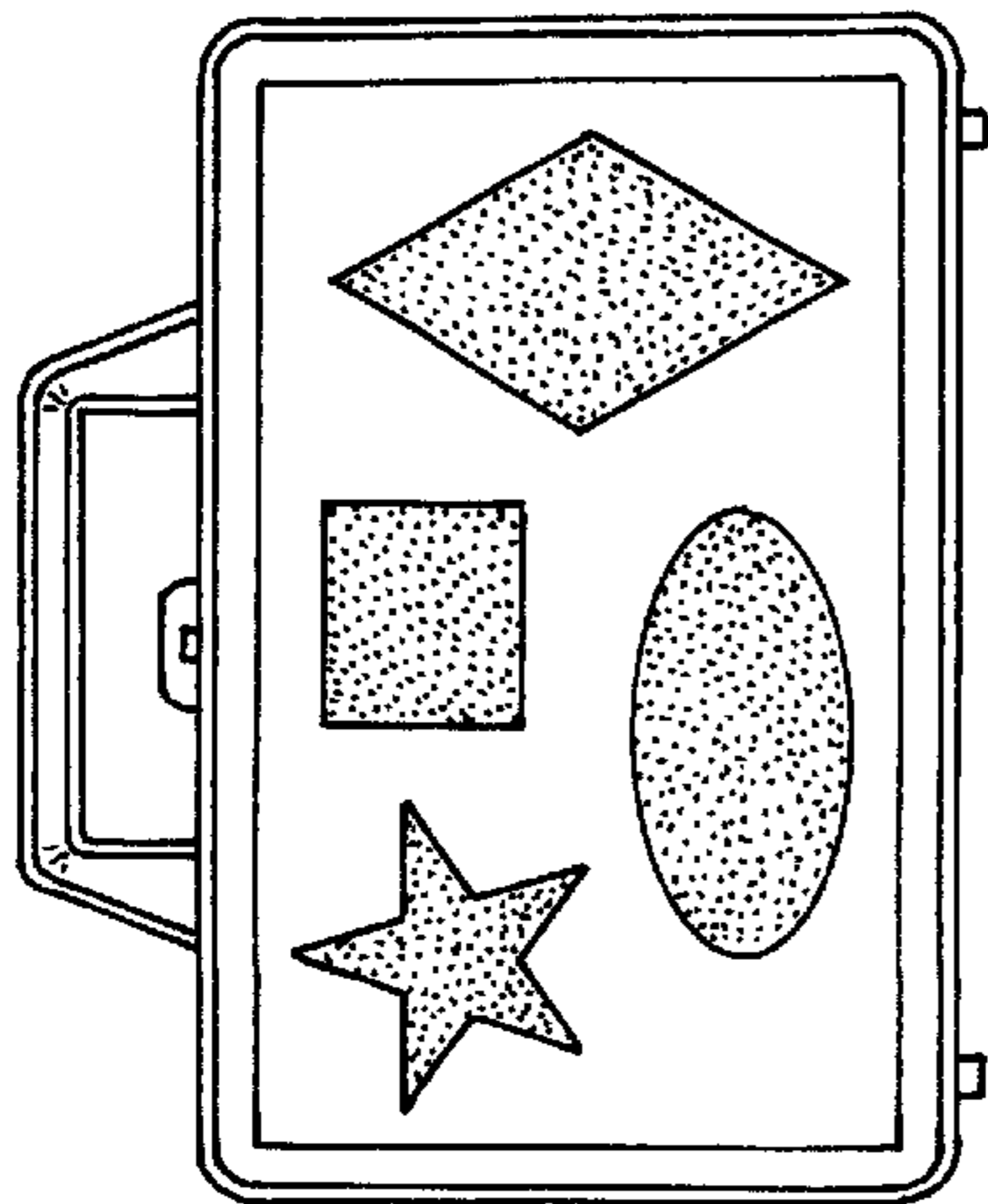


FIG. 2

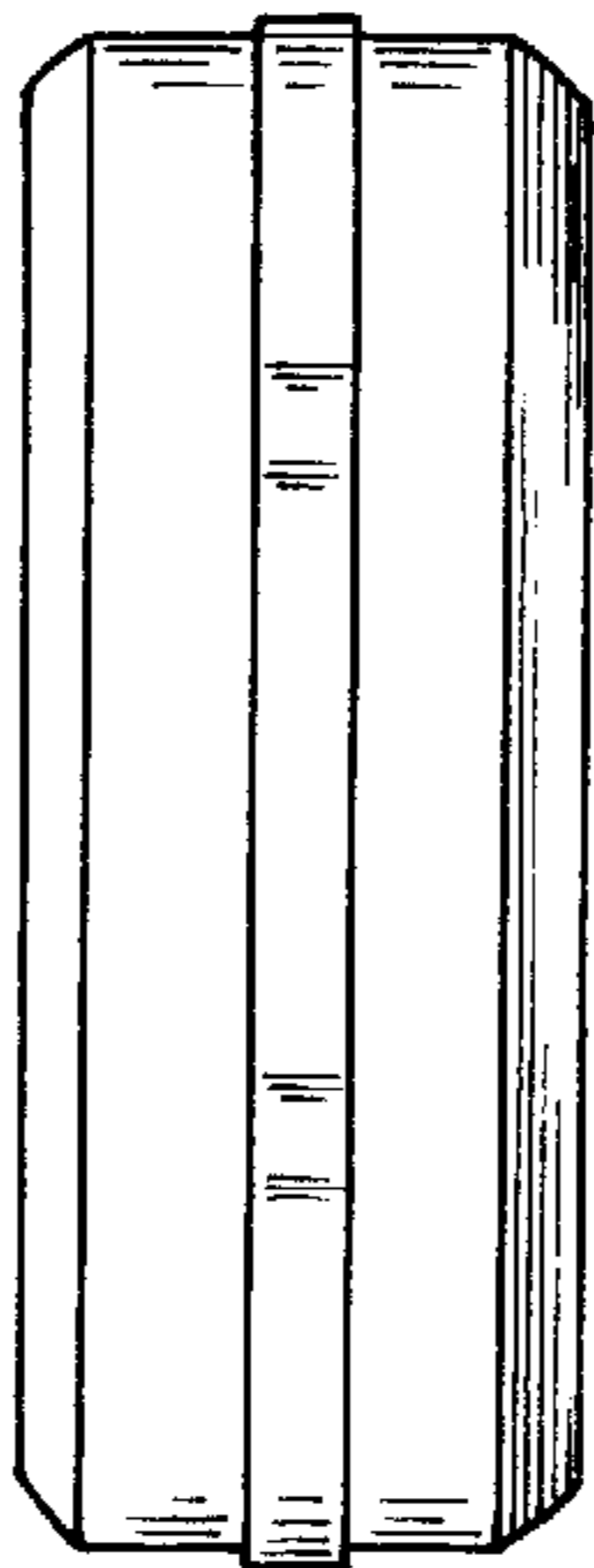


FIG. 5

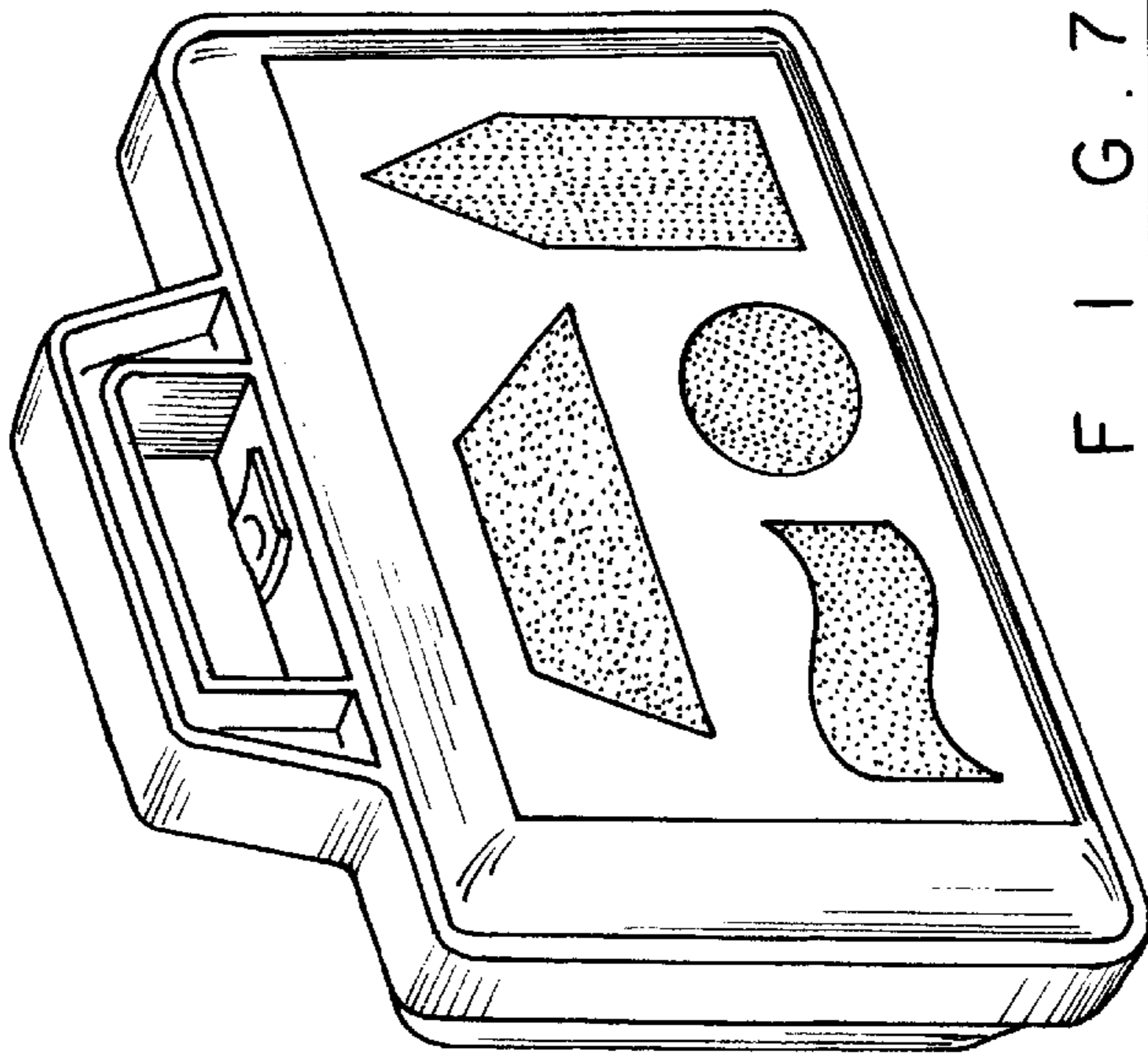


FIG. 7

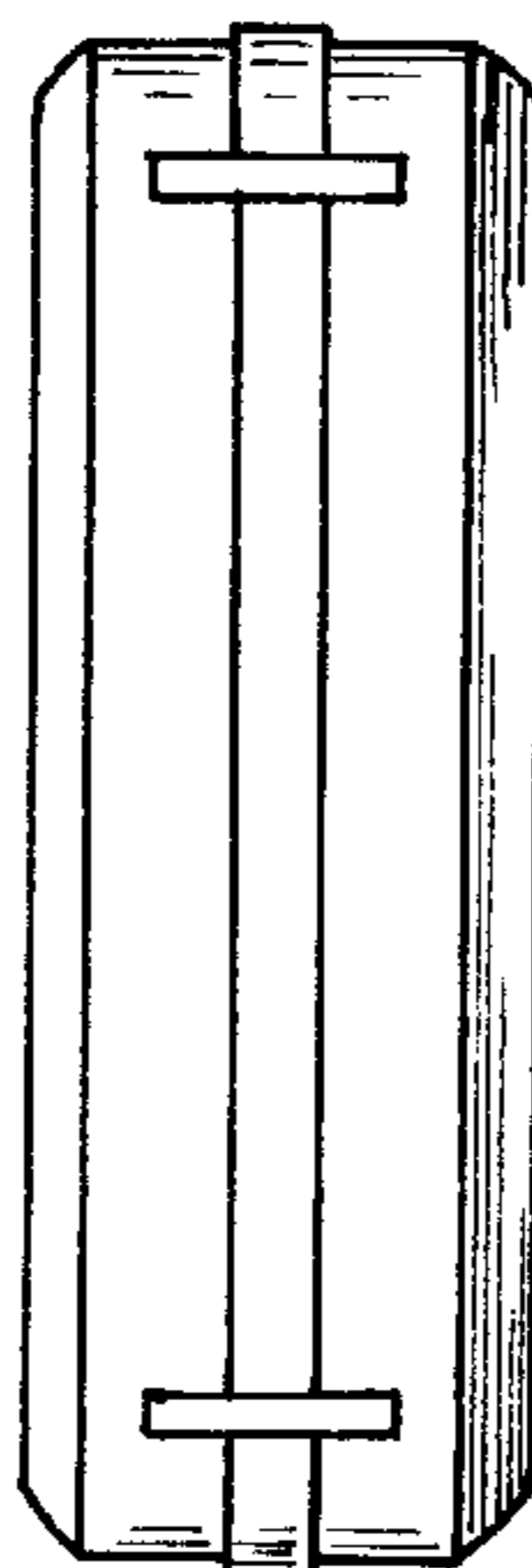


FIG. 6