



US00D510392S

(12) **United States Design Patent** (10) **Patent No.:** **US D510,392 S**
Hussaini et al. (45) **Date of Patent:** **** Oct. 4, 2005**

(54) **AUDIO ACCESSORY FOR AN ELECTRONIC DEVICE**

(75) Inventors: **Saied Hussaini**, Miami, FL (US); **Marc Iacovelli**, Miami, FL (US)

(73) Assignee: **Intec, Inc.**, Miami, FL (US)

(**) Term: **14 Years**

(21) Appl. No.: **29/186,623**

(22) Filed: **Jul. 21, 2003**

(51) **LOC (8) Cl.** **21-01**

(52) **U.S. Cl.** **D21/333**

(58) **Field of Search** D21/324, 333;
D14/400, 401, 412, 496, 432; 273/148 B;
463/1, 30-35, 43-47; 345/156, 905

(56) **References Cited**

U.S. PATENT DOCUMENTS

D427,245 S	*	6/2000	Nagata et al.	D21/332
6,312,338 B1	*	11/2001	Sato et al.	463/44
6,399,904 B1	*	6/2002	Mimata	200/6 A
6,429,767 B1	*	8/2002	Shimomura	338/128
D468,366 S	*	1/2003	Blake, Jr.	D21/333
D474,247 S	*	5/2003	Miyoshi	D21/333
D479,563 S	*	9/2003	Shibano et al.	D21/333
D489,416 S	*	5/2004	Chao	D21/333

* cited by examiner

Primary Examiner—Prabhakar Deshmukh
(74) *Attorney, Agent, or Firm*—Liniak, Berenato & White

(57) **CLAIM**

The ornamental design for an audio accessory for an electronic device, as shown and described.

DESCRIPTION

FIG. 1 is a front and left perspective view of the audio accessory for an electronic device according to the present invention.

FIG. 2 is a left side view of the audio accessory for an electronic device of FIG. 1.

FIG. 3 is a right side view of the audio accessory for an electronic device of FIG. 1.

FIG. 4 is a top view of the audio accessory for an electronic device of FIG. 1.

FIG. 5 is a bottom view of the audio accessory for an electronic device of FIG. 1.

FIG. 6 is a front view of the audio accessory for an electronic device of FIG. 1; and,

FIG. 7 is a rear view of the audio accessory for an electronic device of FIG. 1.

The broken lines are for illustrative purpose only and form no part of the claimed design.

1 Claim, 7 Drawing Sheets

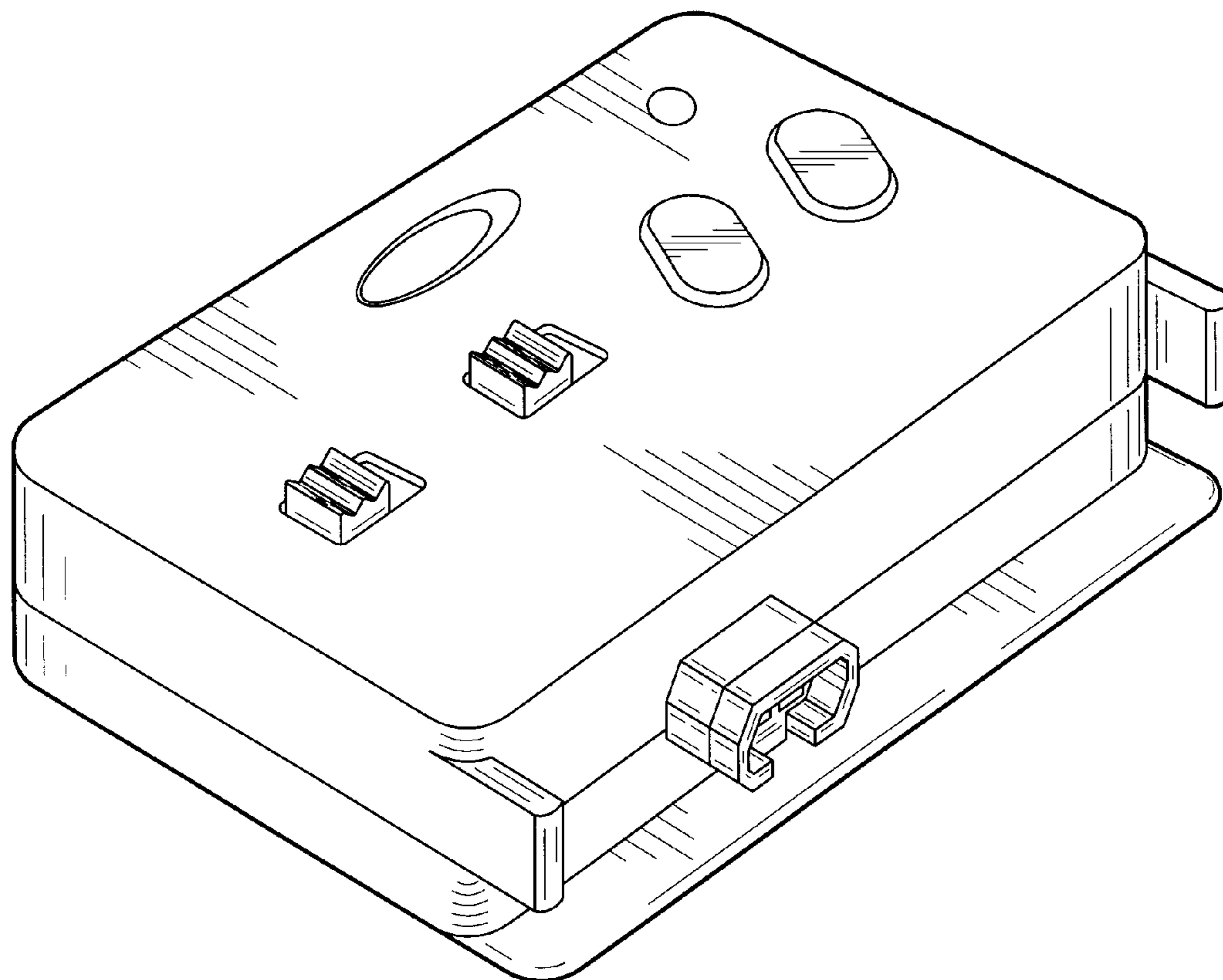


Fig. 1

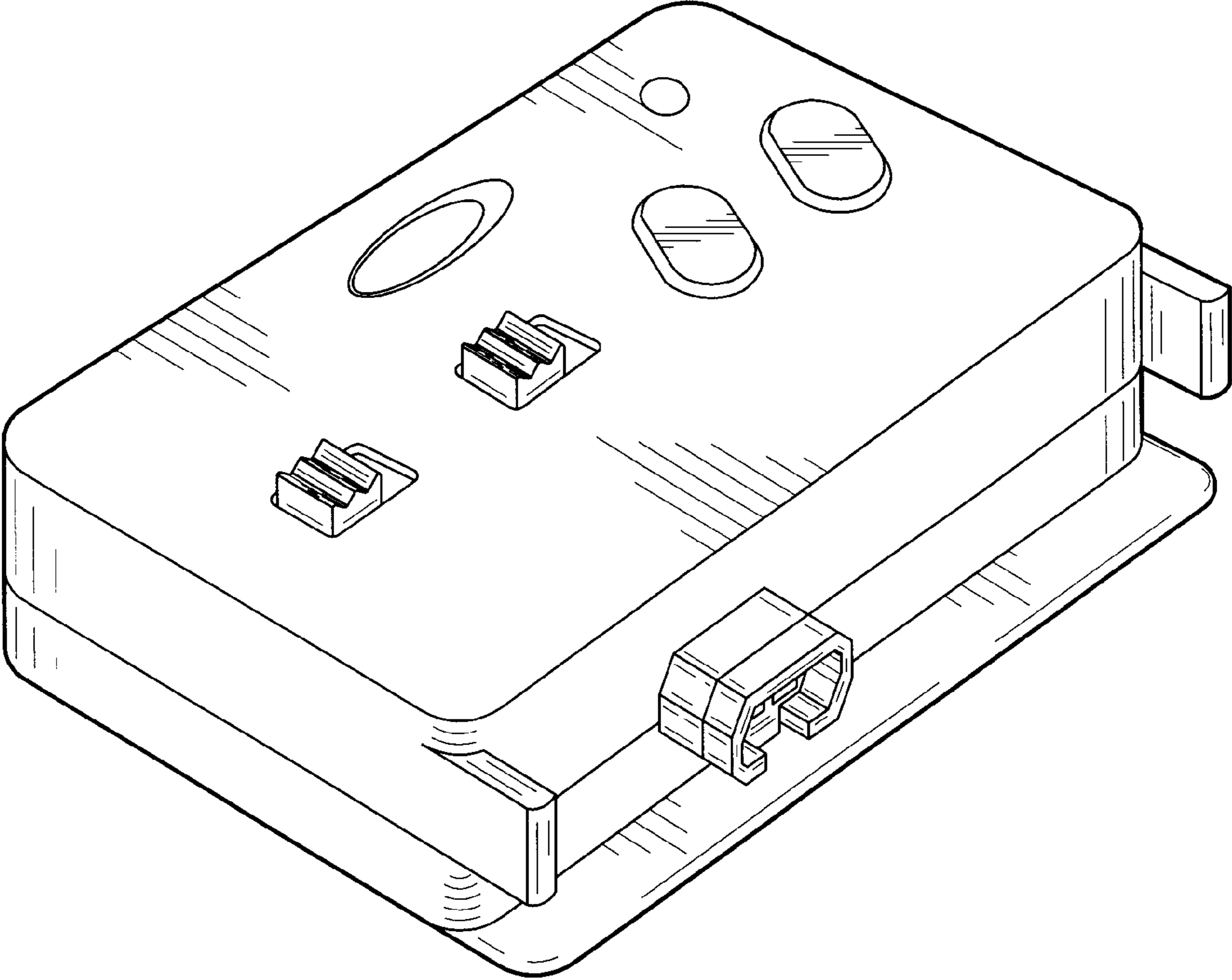


Fig. 2

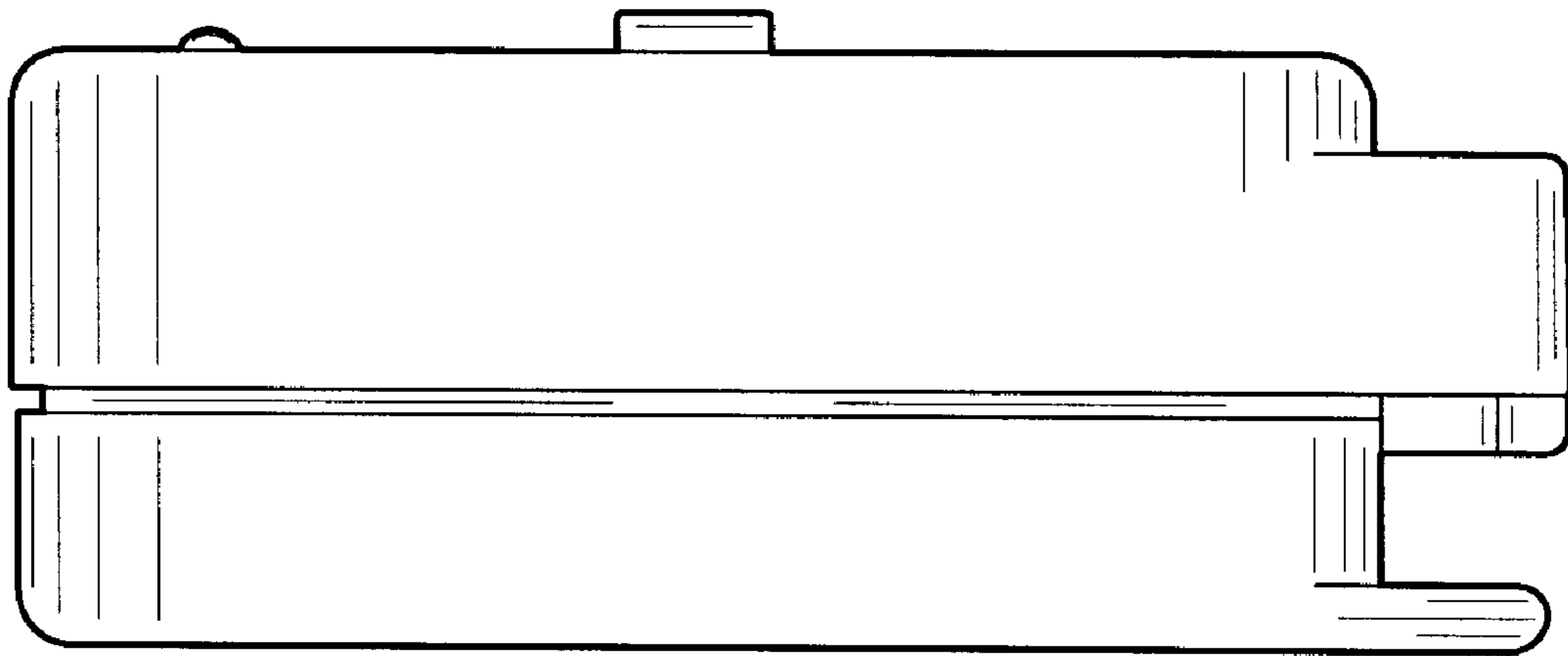


Fig. 3

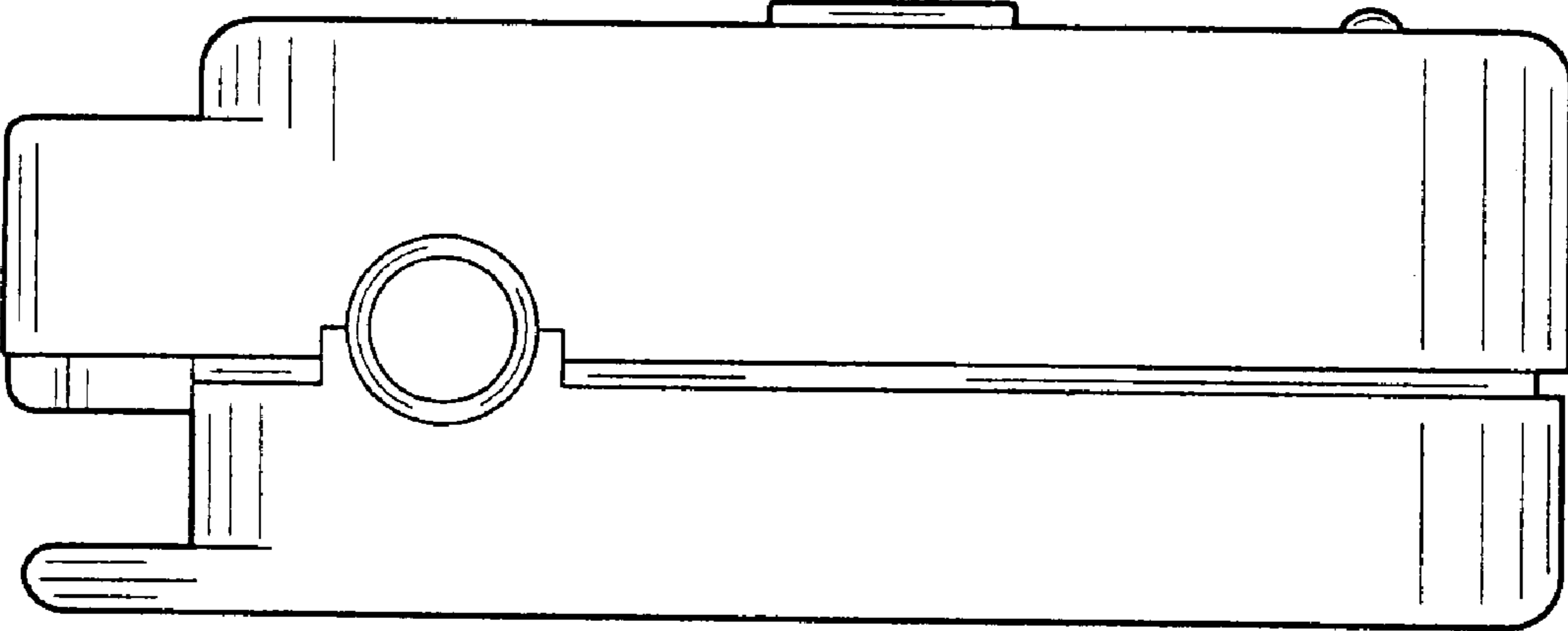


Fig. 4

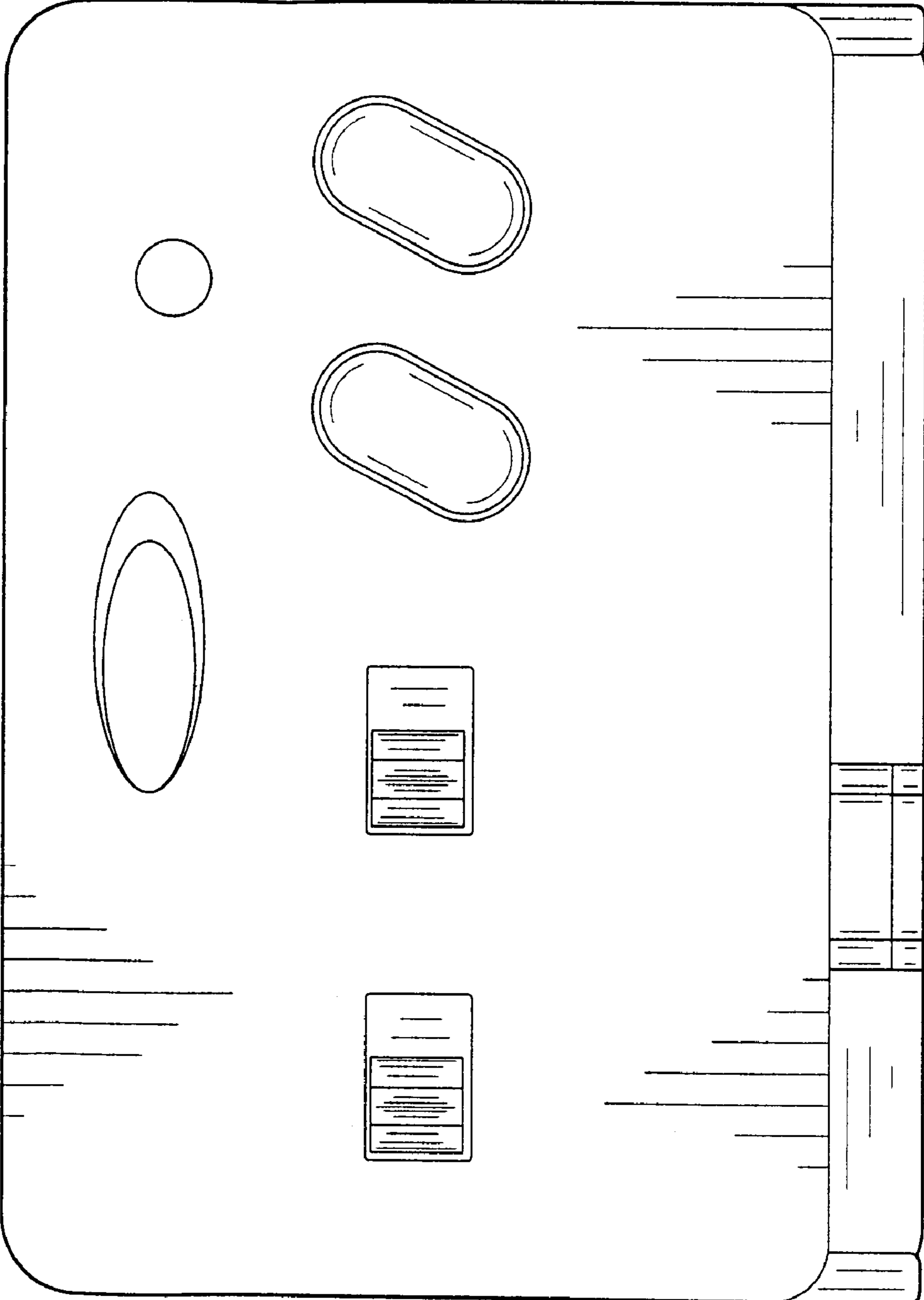


Fig. 5

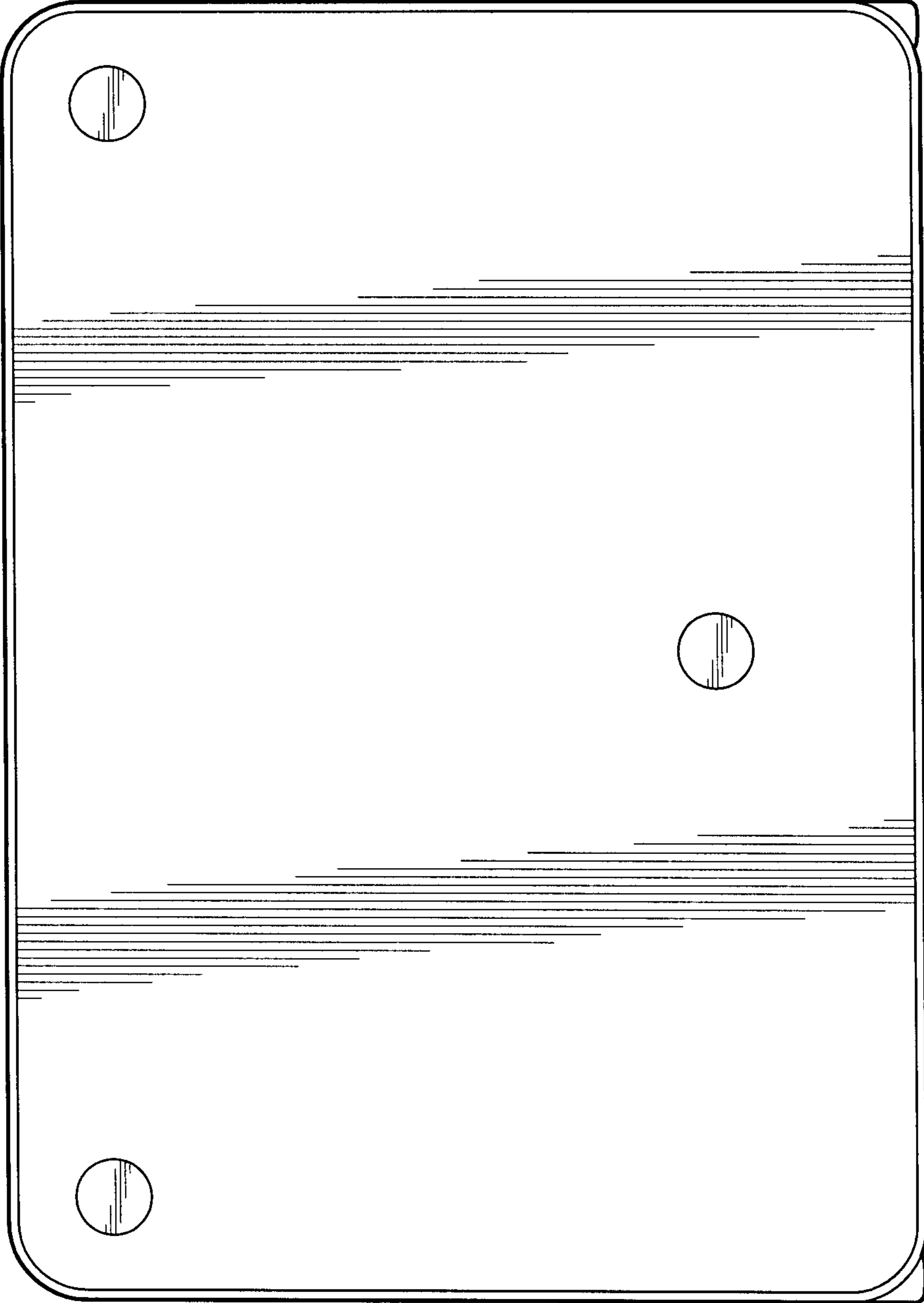


Fig. 6

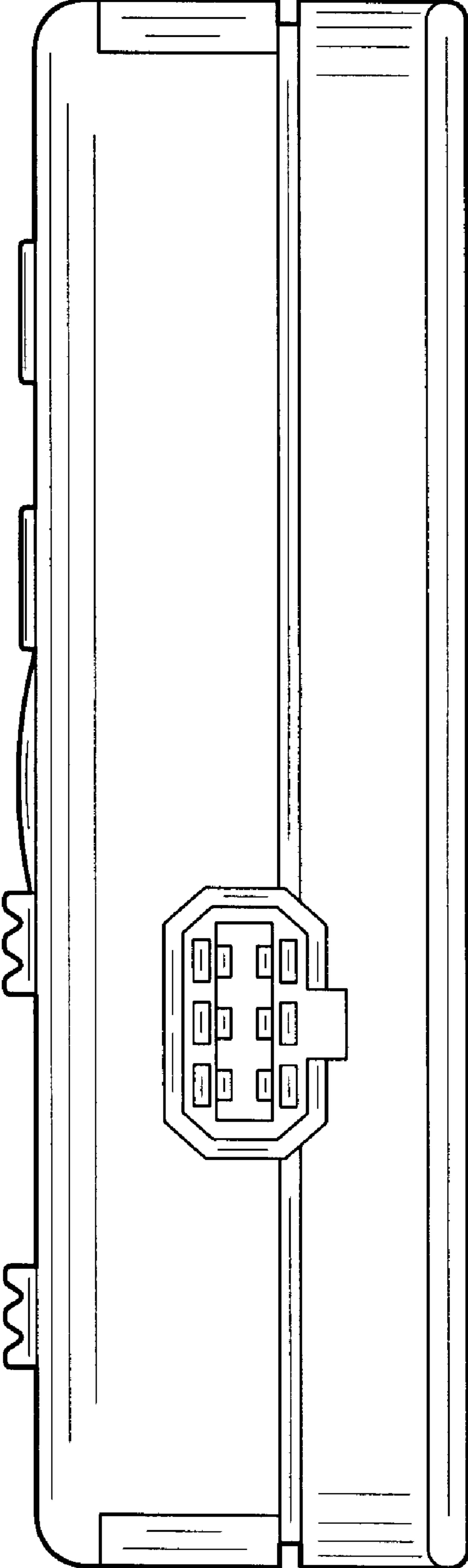


Fig. 7

