



US00D510391S

(12) **United States Design Patent** (10) **Patent No.:** **US D510,391 S**
Merril et al. (45) **Date of Patent:** **** Oct. 4, 2005**

(54) **EXERCISE DEVICE FOR CONTROLLING A VIDEO GAME**

FOREIGN PATENT DOCUMENTS

WO WO91/11221 8/1991
WO WO00/57387 9/2000

(75) Inventors: **Greg Merrill**, Bethesda, MD (US);
Philip Feldman, Catonsville, MD (US);
Jeff Schott, Bethesda, MD (US); **Jason Grimm**, Owings Mills, MD (US); **Peter Tsai**, Olney, MD (US)

OTHER PUBLICATIONS

Tom Dang et al; "Interactive Video Exercise System for Pediatric Brain Injury Rehabilitation"; Proceedings of the RESNA 20th Annual Conference, Jun. 1998; 3 pages.
"Innovation in Action"; Biofeedback Motor Control GmbH; 2 pages.
Glas, V; "Chair Puts Player on the Joystick"; Machine Design; Penton, Inc., vol. 63, No. 21, Oct. 24, 1991; p. 73.
"AGH's Atari Project Puffer Page"; <http://www.atarihq.com/othersec/puffer/index.html>; retrieved from the Internet on Sep. 19, 2002; 4 pages.
"The Legible City"; www.jeffrey-shaw.net; retrieved from the Internet on Sep. 19, 2002; 3 pages.
Antonoff, M.; "Living in a Virtual World"; Popular Science, Jun. 1993; 2 pages.
Antonoff, M.; "Virtual Violence: Boxing without Bruises"; Popular Science, Apr. 1993; 1 page.

(73) Assignee: **PowerGrid Fitness, Inc.**, Laurel, MD (US)

(**) Term: **14 Years**

(21) Appl. No.: **29/217,542**

(22) Filed: **Nov. 19, 2004**

Related U.S. Application Data

(63) Continuation of application No. 10/975,185, filed on Oct. 28, 2004, which is a continuation-in-part of application No. 10/806,280, filed on Mar. 23, 2004, which is a continuation-in-part of application No. 10/309,565, filed on Dec. 4, 2002.
(60) Provisional application No. 60/514,897, filed on Oct. 29, 2003.

(Continued)

(51) **LOC (8) Cl.** **21-01**
(52) **U.S. Cl.** **D21/324; D21/325; D21/686**
(58) **Field of Search** **D21/324-333, D21/662, 686, 671; 273/148 B, 440, 454, 460, 461; 463/1, 36-38, 46-48; 482/1, 9, 4, 51, 901, 902; 434/247, 257**

Primary Examiner—Prabhakar Deshmukh
(74) *Attorney, Agent, or Firm*—Edell, Shapiro & Finnan, LLC

(57) **CLAIM**

The ornamental design for an exercise device for controlling a video game, as shown and described.

(56) **References Cited**

U.S. PATENT DOCUMENTS

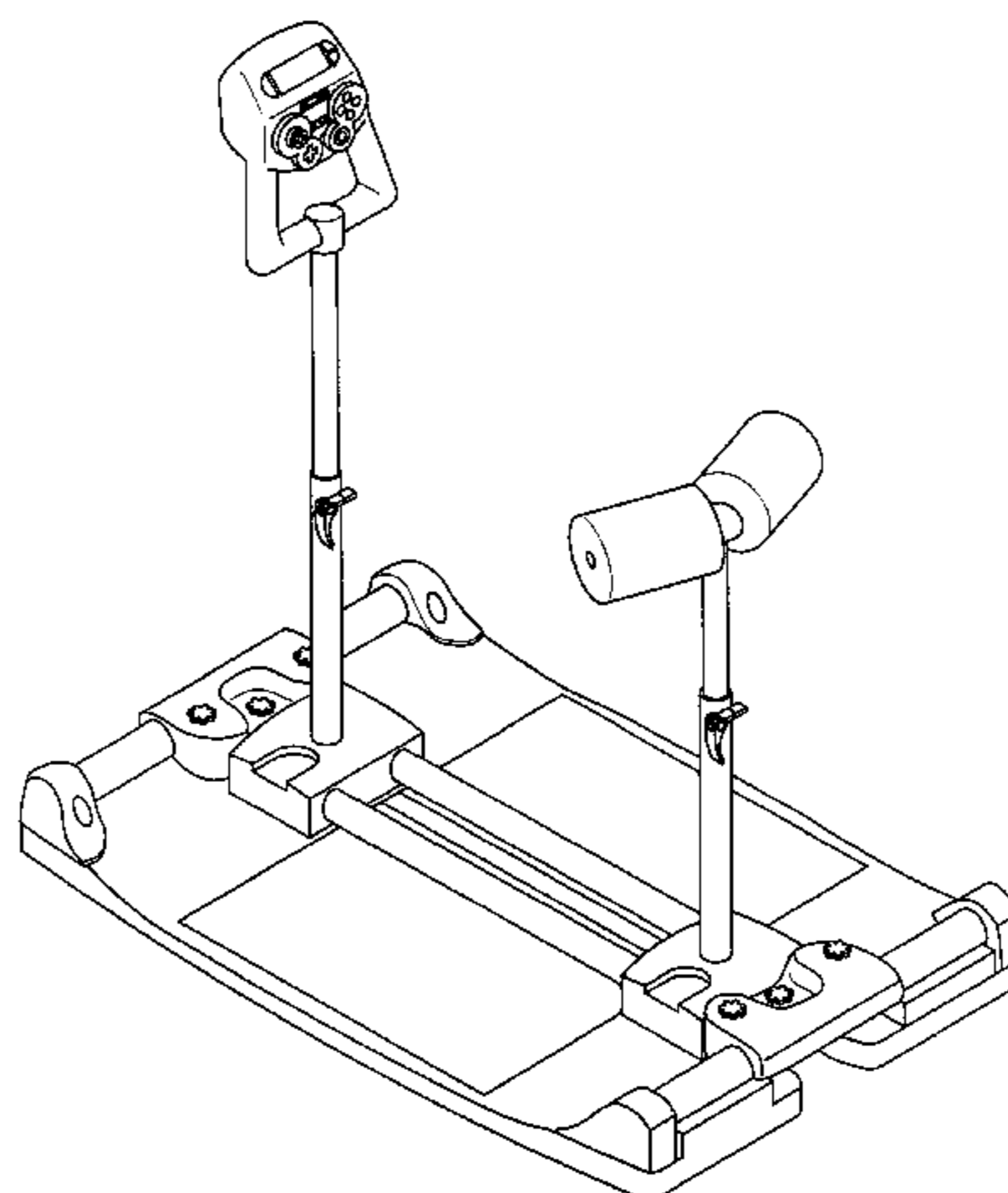
D188,376 S * 7/1960 Hotkins D21/326
3,428,312 A * 2/1969 Machen 482/123
4,296,931 A * 10/1981 Yokoi 463/57
4,337,050 A 6/1982 Engalitcheff, Jr.
4,494,754 A 1/1985 Wagner, Jr.
4,630,817 A * 12/1986 Buckley 463/37
4,680,577 A 7/1987 Straayer et al.
4,691,694 A 9/1987 Boyd et al.
4,711,447 A 12/1987 Mansfield

DESCRIPTION

FIG. 1 is a perspective view showing the new design;
FIG. 2 is a left side view in elevation thereof;
FIG. 3 is a right side view in elevation thereof;
FIG. 4 is a top view in plan thereof;
FIG. 5 is a bottom view in plan thereof;
FIG. 6 is a rear view in elevation thereof; and,
FIG. 7 is a front view in elevation thereof.

(Continued)

1 Claim, 4 Drawing Sheets



U.S. PATENT DOCUMENTS

4,742,832 A 5/1988 Kauffmann et al.
D318,073 S 7/1991 Jang
5,054,771 A 10/1991 Mansfield
5,089,960 A 2/1992 Sweeney, Jr.
5,104,119 A 4/1992 Lynch
5,116,296 A 5/1992 Watkins et al.
5,299,810 A 4/1994 Pierce et al.
5,360,383 A 11/1994 Boren
5,362,298 A 11/1994 Brown et al.
5,368,546 A 11/1994 Stark et al.
5,431,569 A 7/1995 Simpkins et al.
5,462,503 A 10/1995 Benjamin et al.
5,466,200 A 11/1995 Ulrich et al.
5,547,439 A 8/1996 Rawls et al.
5,551,693 A 9/1996 Goto et al.
D376,826 S 12/1996 Ashida
5,584,700 A 12/1996 Feldman et al.
5,591,104 A * 1/1997 Andrus et al. 482/7
D384,115 S 9/1997 Wilkinson et al.
5,689,285 A 11/1997 Asher
5,690,582 A 11/1997 Ulrich et al.
5,713,794 A 2/1998 Shimojima et al.
5,716,274 A 2/1998 Goto et al.
5,785,630 A 7/1998 Bobick et al.
D397,164 S 8/1998 Goto
5,792,031 A 8/1998 Alton
D402,317 S 12/1998 Goto
5,853,326 A 12/1998 Goto et al.
5,889,507 A 3/1999 Engle et al.
D407,758 S 4/1999 Isetani et al.
5,890,995 A 4/1999 Bobick et al.
5,901,612 A 5/1999 Letovsky
5,904,639 A 5/1999 Smyser et al.
D411,258 S * 6/1999 Isetani et al. D21/328
5,921,899 A 7/1999 Rose
5,980,256 A 11/1999 Carmein
D421,070 S * 2/2000 Jang et al. D21/325
6,044,772 A * 4/2000 Gaudette et al. 108/43
6,086,518 A 7/2000 MacCready, Jr.
6,102,832 A 8/2000 Tani
D431,051 S 9/2000 Goto
D434,769 S 12/2000 Goto
D434,770 S 12/2000 Goto
6,216,547 B1 4/2001 Lehtovaara
D441,369 S 5/2001 Goto
6,228,000 B1 5/2001 Jones
6,231,444 B1 5/2001 Goto et al.
D444,469 S 7/2001 Goto
6,296,595 B1 10/2001 Stark et al.

6,325,767 B1 12/2001 Wolff et al.
6,359,613 B1 3/2002 Poole
D456,410 S 4/2002 Ashida
D456,854 S 5/2002 Ashida
D457,570 S * 5/2002 Brinson D21/325
6,388,655 B1 5/2002 Leung
6,394,905 B1 5/2002 Takeda et al.
D459,727 S 7/2002 Ashida
D460,506 S 7/2002 Tamminga et al.
D462,683 S 9/2002 Ashida
D471,594 S * 3/2003 Nojo D21/326
6,568,334 B1 5/2003 Gaudette et al.
6,616,579 B1 9/2003 Reinbold et al.
6,636,161 B2 10/2003 Rosenberg
6,663,058 B1 * 12/2003 Peterson et al. 248/125.9
6,726,566 B2 4/2004 Komata
D500,100 S * 12/2004 van der Meer D21/662
2001/0018363 A1 8/2001 Goto et al.
2002/0185041 A1 12/2002 Herbst
2003/0069108 A1 4/2003 Kaiserman et al.
2003/0193416 A1 10/2003 Ogata et al.
2004/0041787 A1 3/2004 Graves
2004/0077464 A1 4/2004 Feldman et al.
2004/0110602 A1 6/2004 Feldman
2004/0180719 A1 9/2004 Feldman et al.

OTHER PUBLICATIONS

Brown, S.; "Video Cycle Race"; Popular Science, May 1989; 1 page.
"Military: Arcade Aces"; Popular Mechanics, Mar. 1982; 1 page.
"Suncom Aerobics Joystick"; www.starihq.com; retrieved from Internet Sep. 19, 2002; 1 page.
Aukstakalnis, et al.; "The Art and Science of Virtual Reality: Silicon Mirage"; pp. 197-205.
Hamit, F.; "Virtual Reality and the Exploration of Cyberspace"; Jun. 1, 1993, 4 pages.
"The Race Begins with \$85"; Randal Sports; 1990 1 page.
"The New Exertainment System"; Life Fitness; 1995; 1 page.
"The History of Nintendo (1889-1997)"; Retrieved from Internet Aug. 24, 1998; pp. 1 and 9-10.
Skorupa, J.; "Virtual Fitness"; Sports Science, Popular Mechanics; Oct. 1994; 3 pages.
Manning, R.; "Videogame Players Get a Workout with the Exertainment"; The Courier-Journal Sep. 25, 1994; 1 page.

* cited by examiner

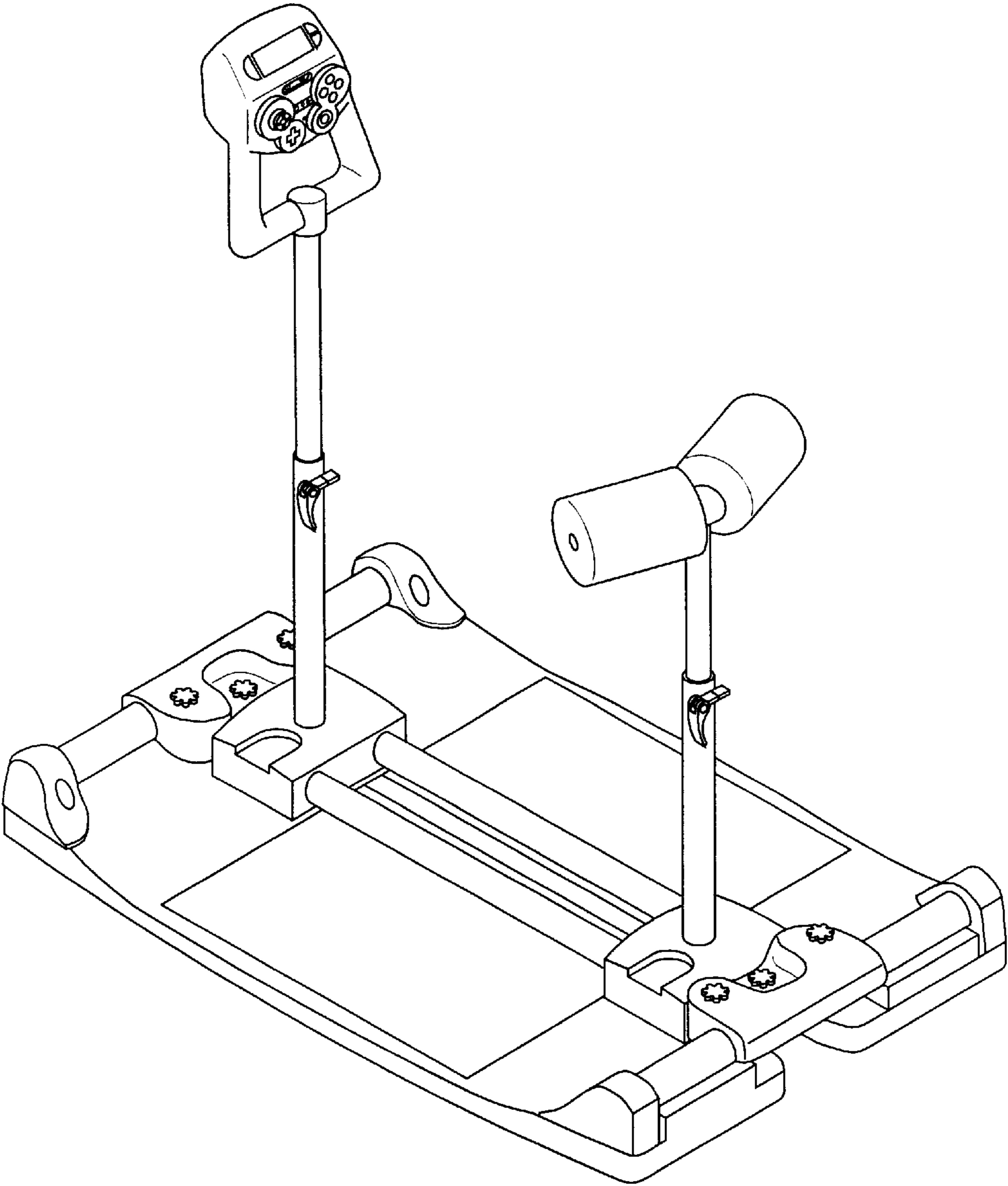


FIG. 1

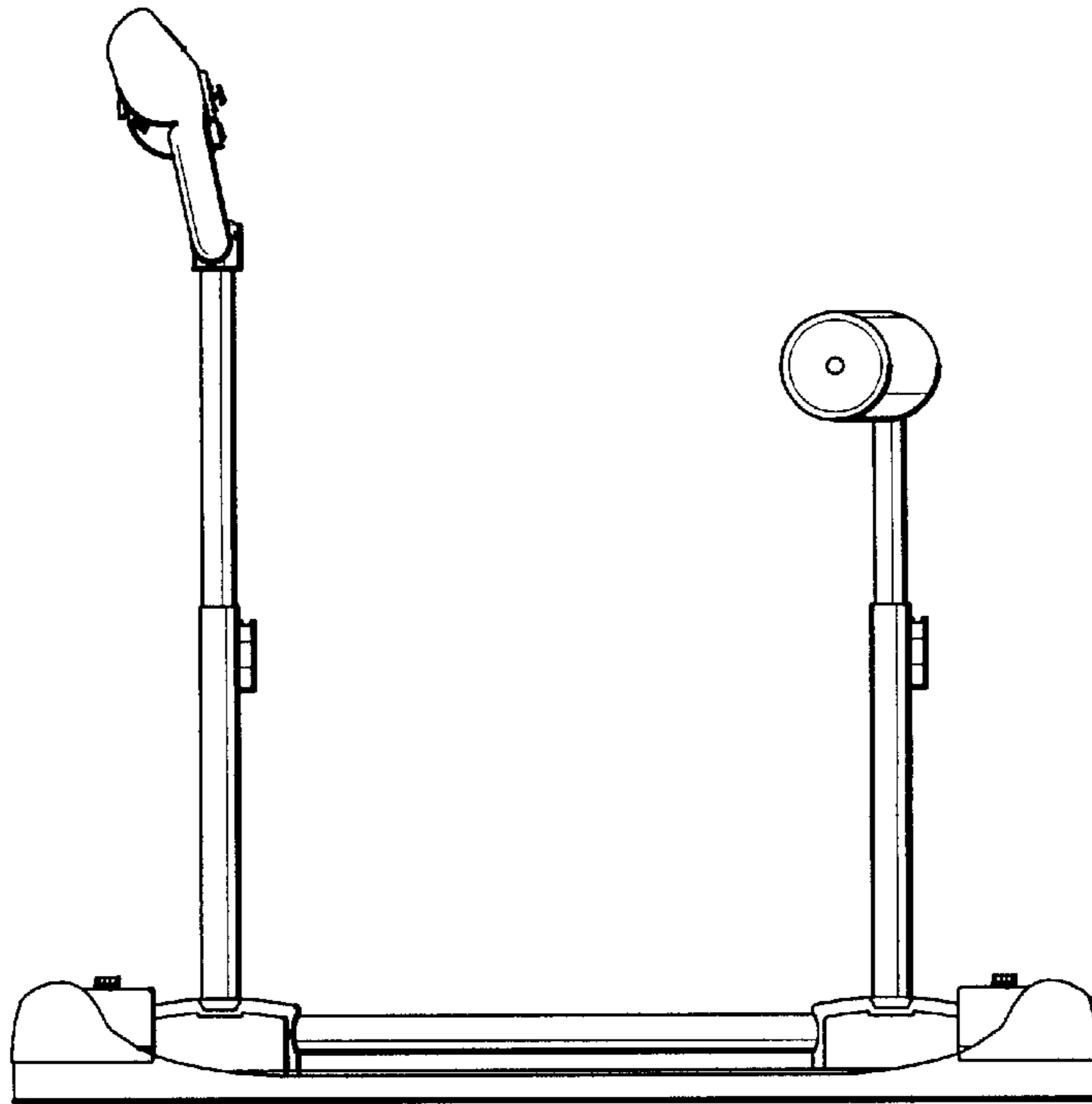


FIG. 2

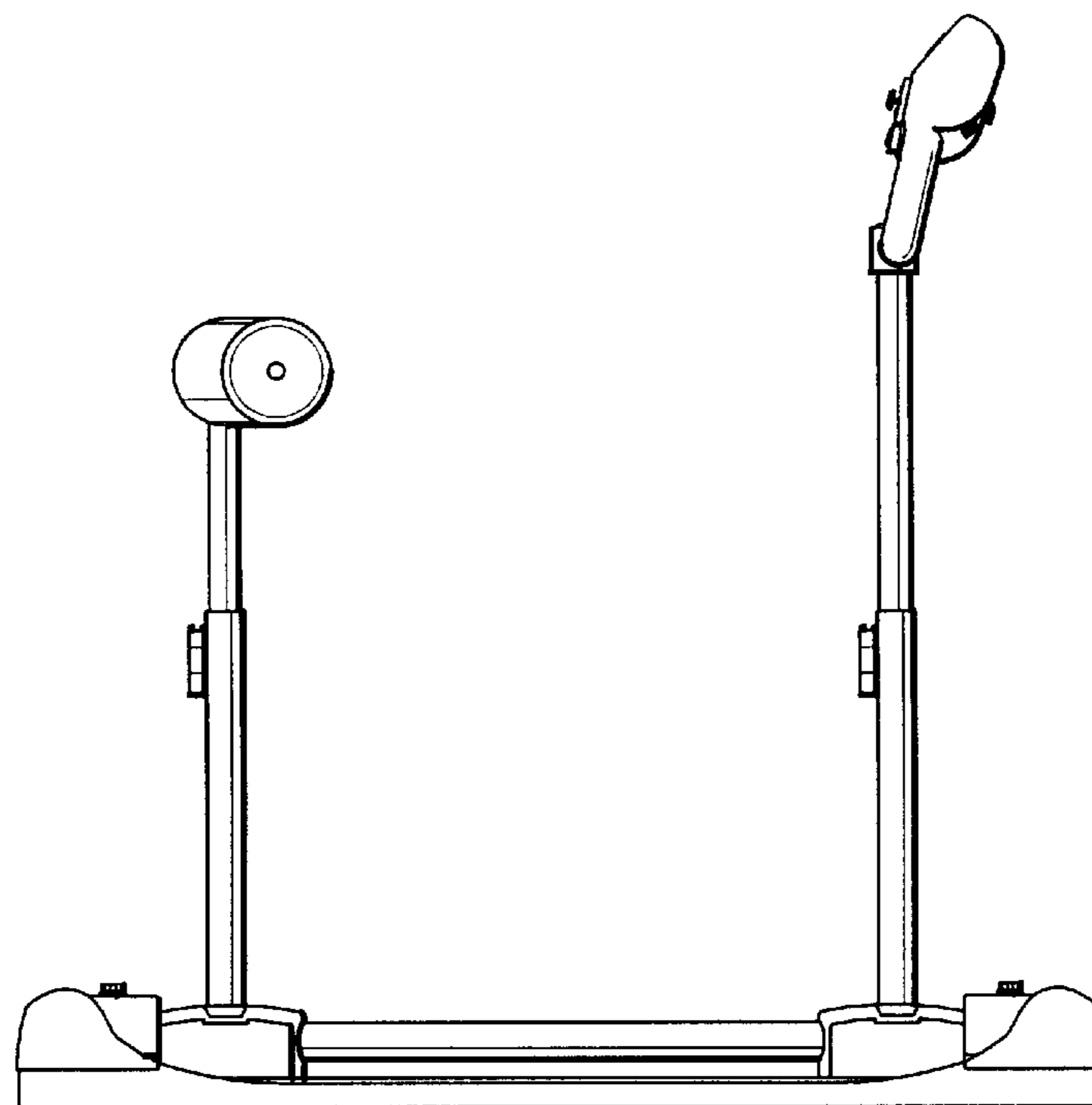


FIG. 3

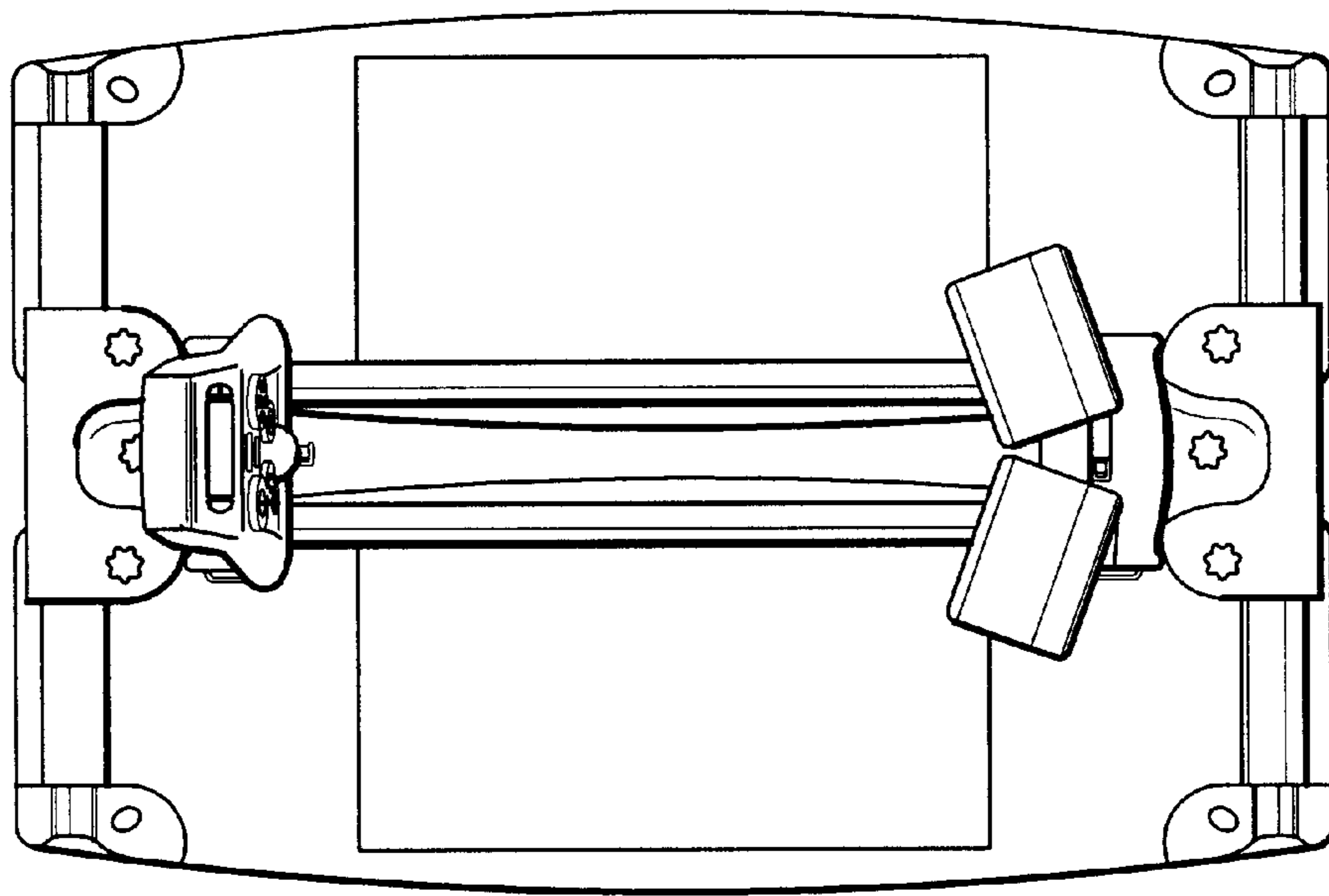


FIG. 4

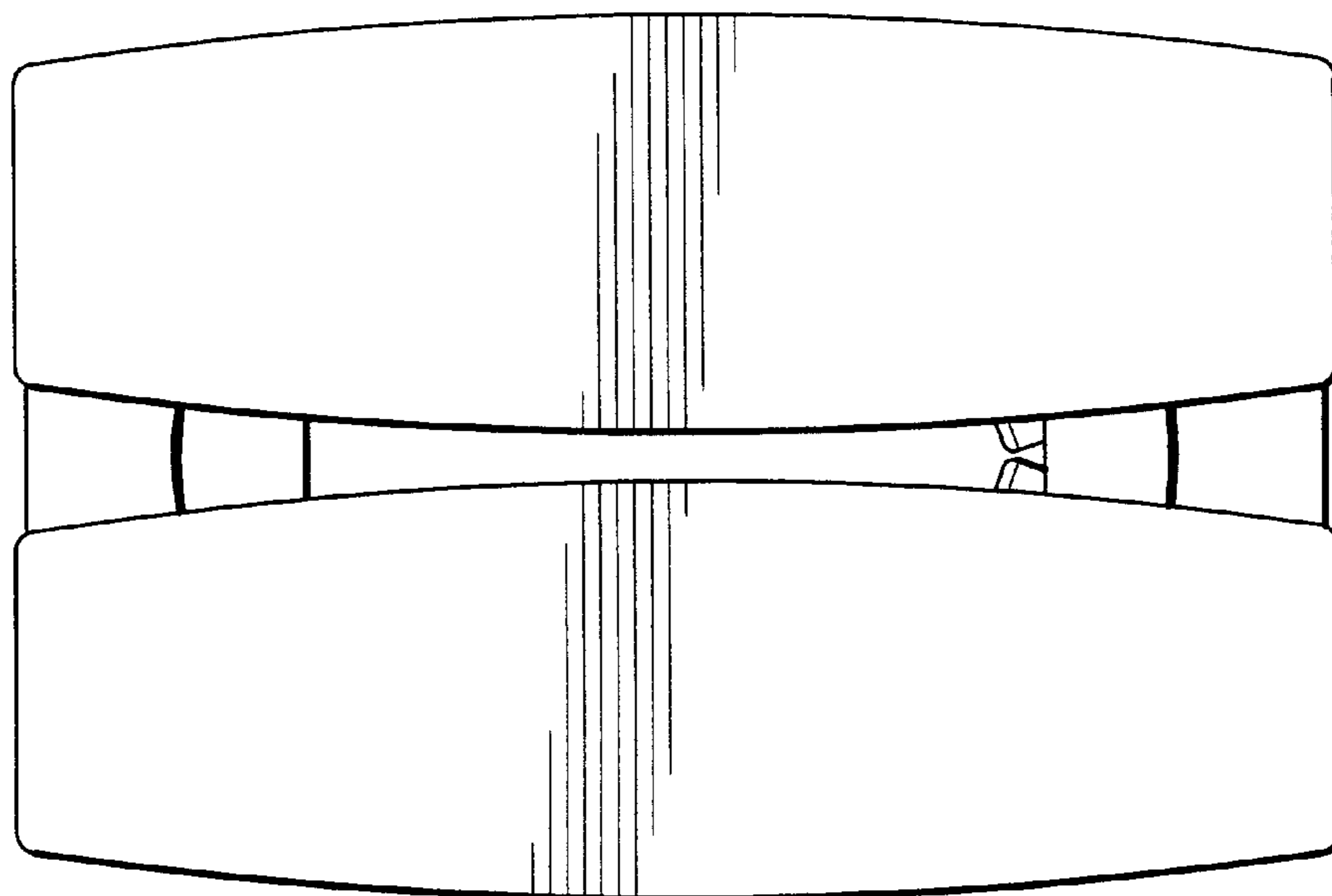


FIG. 5

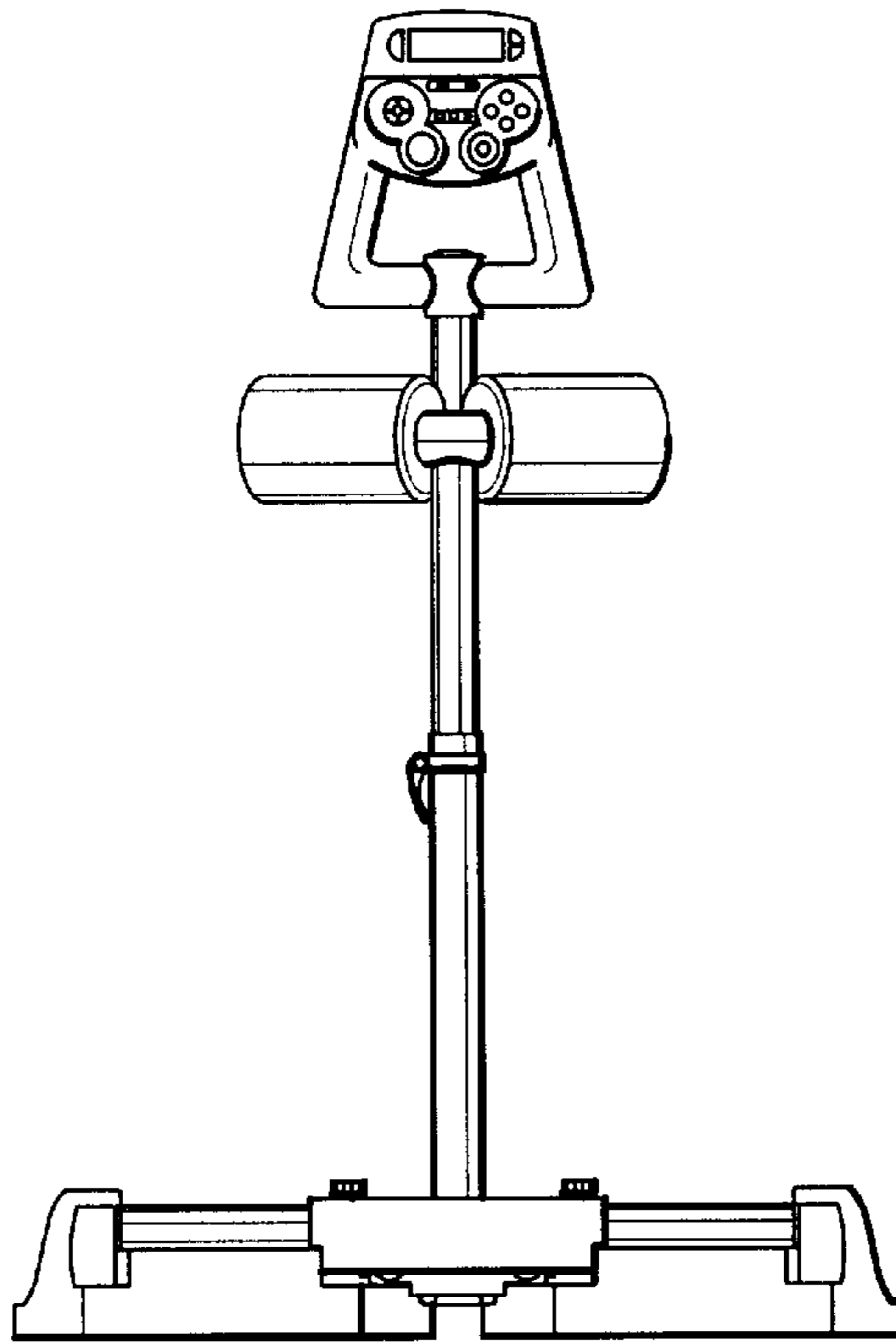


FIG. 6

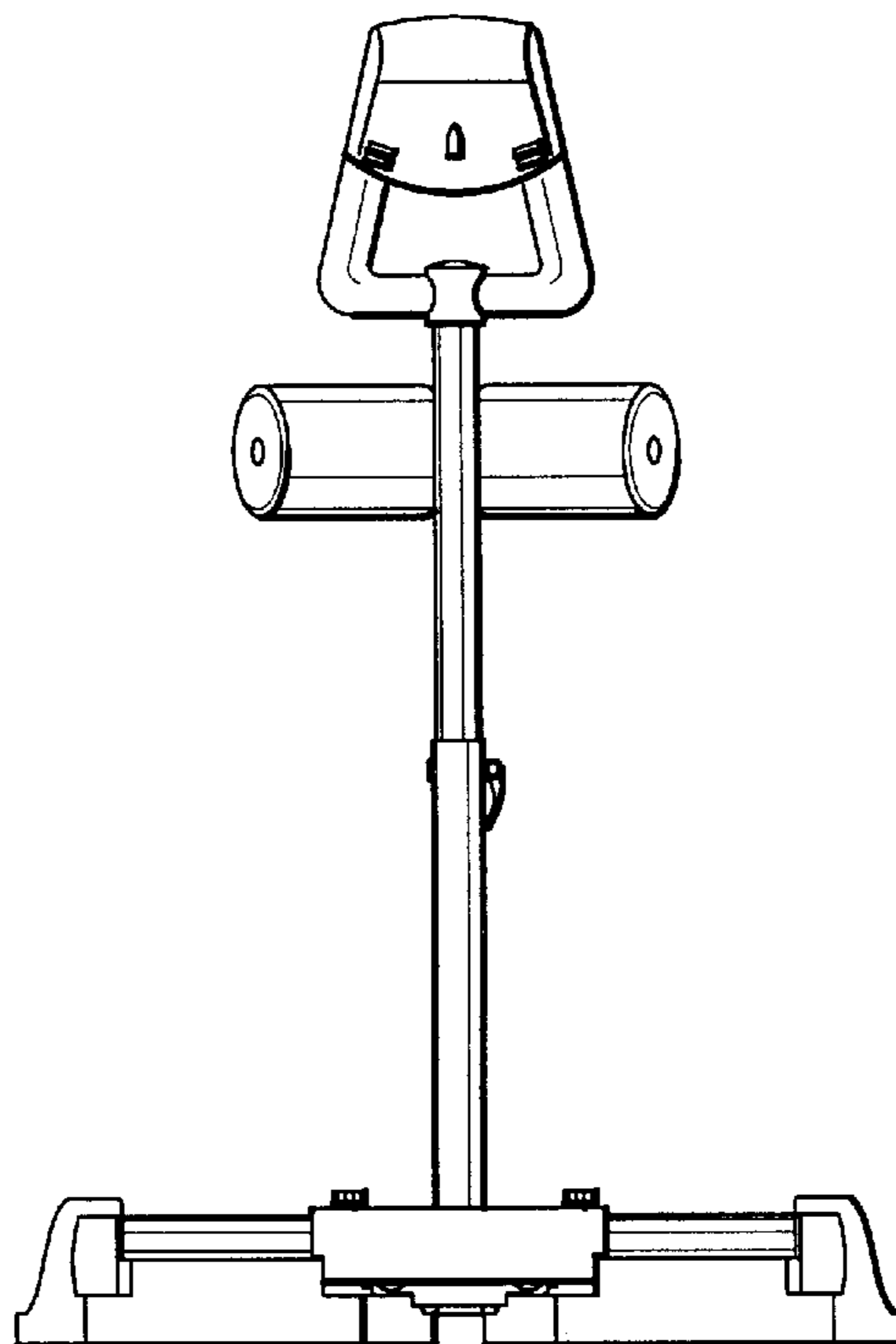


FIG. 7