



US00D510388S

(12) **United States Design Patent**
Siegel

(10) **Patent No.:** **US D510,388 S**
(45) **Date of Patent:** **** Oct. 4, 2005**

(54) **REVOLVING STORAGE RACK FOR SCISSORS**

(75) Inventor: **Lee M. Siegel**, Mt. Laurel, NJ (US)

(73) Assignee: **CRI2000, LP**, San Diego, CA (US)

(**) Term: **14 Years**

(21) Appl. No.: **29/196,017**

(22) Filed: **Dec. 19, 2003**

(51) **LOC (8) Cl.** **19-06**

(52) **U.S. Cl.** **D19/77; D19/85**

(58) **Field of Search** **D24/230; D19/35, D19/36, 65, 75, 77, 78, 81-85, 95, 99, 100; 206/214, 224, 371; 211/13.1, 69, 69.1-69.9; D6/457, 459, 460, 461**

(56) **References Cited**

U.S. PATENT DOCUMENTS

D160,161 S	*	9/1950	Gass	D19/77
D211,295 S	*	6/1968	Wolf	D19/85
4,972,947 A	*	11/1990	McCarthy	206/214
D341,276 S	*	11/1993	Jones	D6/457
D354,862 S	*	1/1995	Goldberg	D6/461

D361,223 S	*	8/1995	Sanson	D6/461
D414,001 S	*	9/1999	Crotte et al.	D19/77
D436,132 S	*	1/2001	Abbott	D19/77
D480,938 S	*	10/2003	Whitley	D8/71
6,631,804 B2	*	10/2003	Wong	206/526
D490,848 S	*	6/2004	Pope et al.	D19/36

* cited by examiner

Primary Examiner—Martie K. Holtje

(74) *Attorney, Agent, or Firm*—Norman E. Lehrer

(57) **CLAIM**

The ornamental design for a “revolving storage rack for scissors,” as shown and described.

DESCRIPTION

FIG. 1 is a top front perspective view of a “revolving storage rack for scissors” showing my new design; FIG. 2 is a front elevational view thereof; FIG. 3 is a top plan view thereof; FIG. 4 is a bottom plan view thereof; and, FIG. 5 is a view similar to FIG. 1 showing the manner in which the “revolving storage rack for scissors” is utilized. The material shown in phantom in FIG. 5 is for environment only and does not form a part of the design.

1 Claim, 2 Drawing Sheets

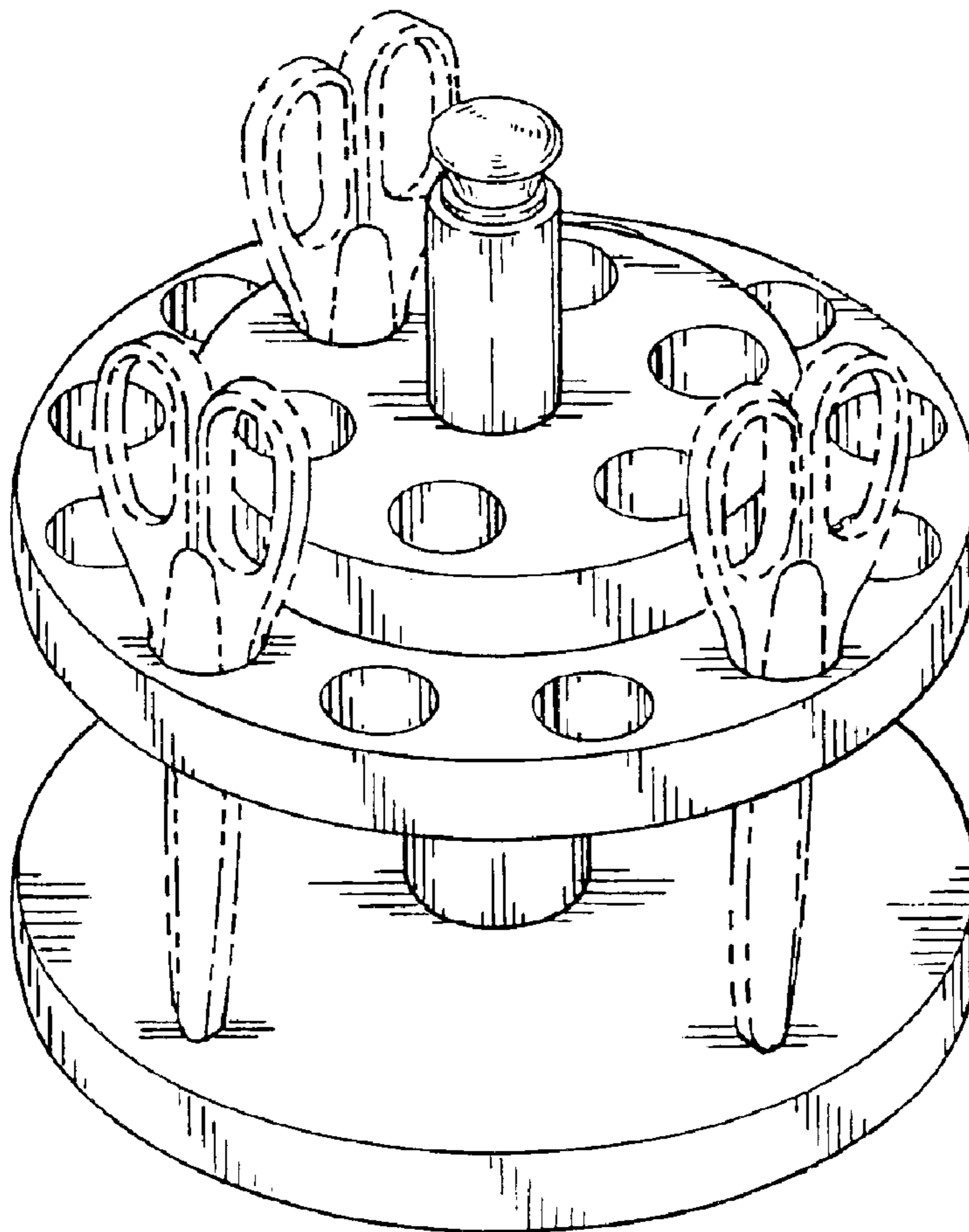


Fig. 1

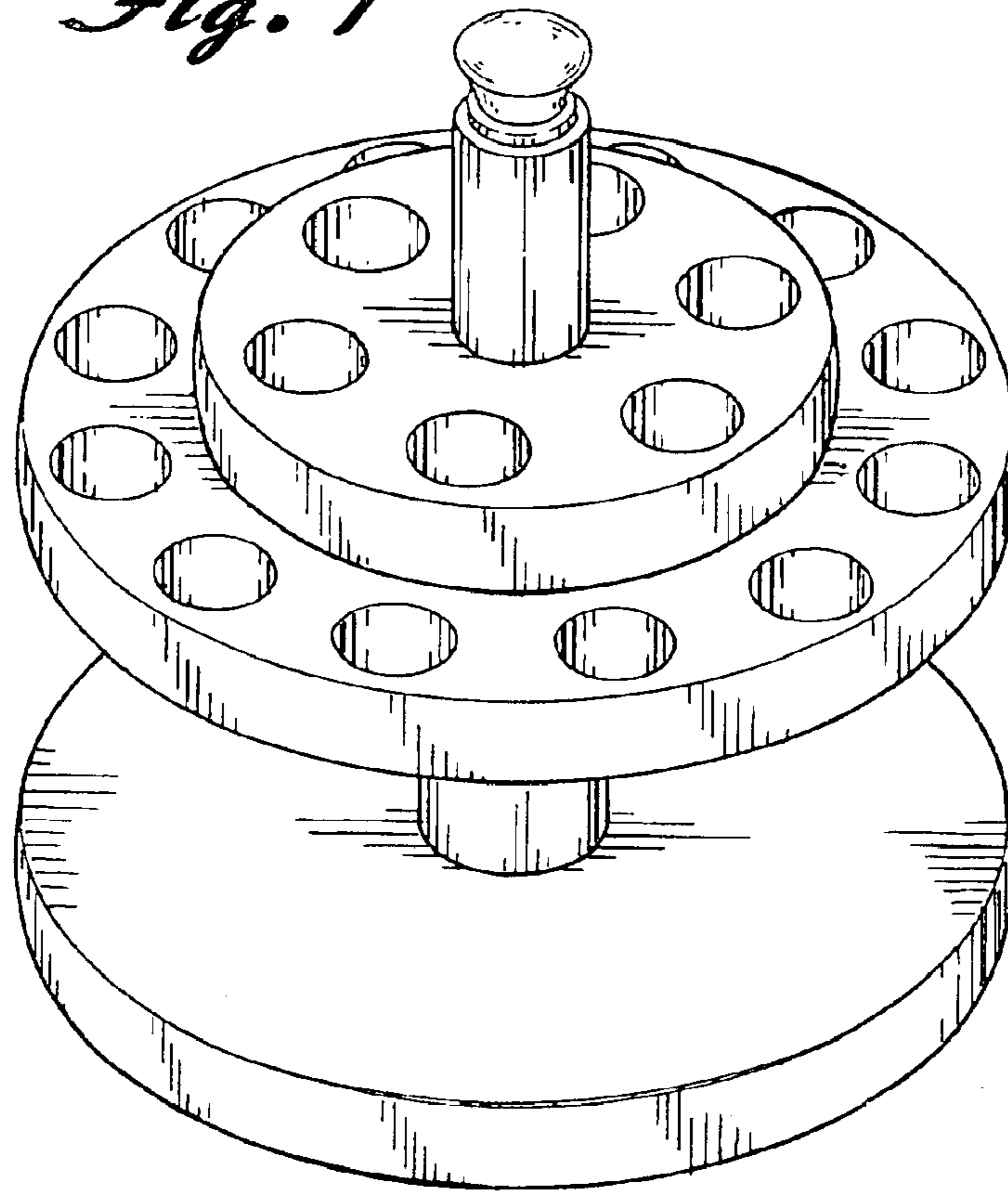


Fig. 2

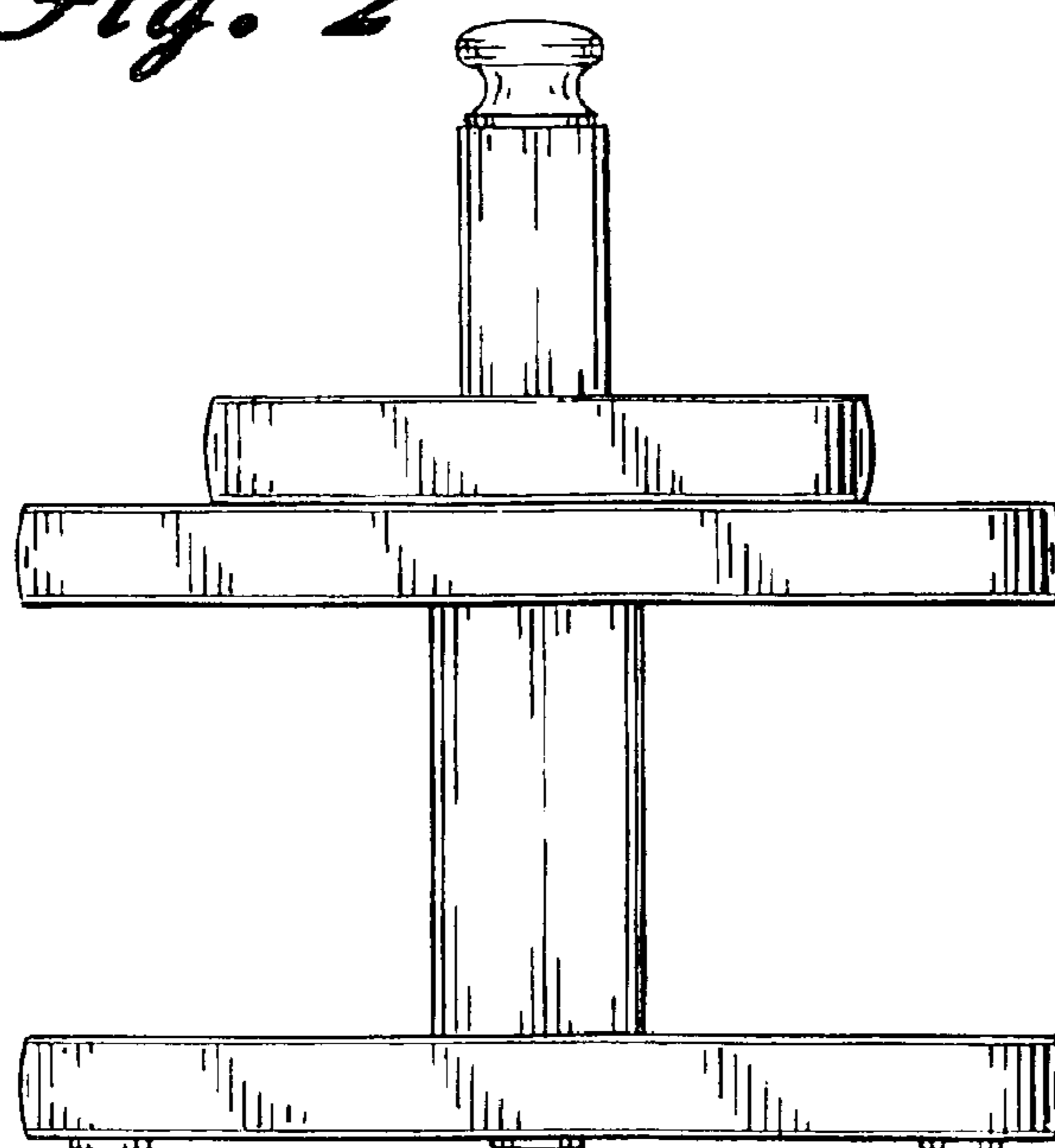


Fig. 3

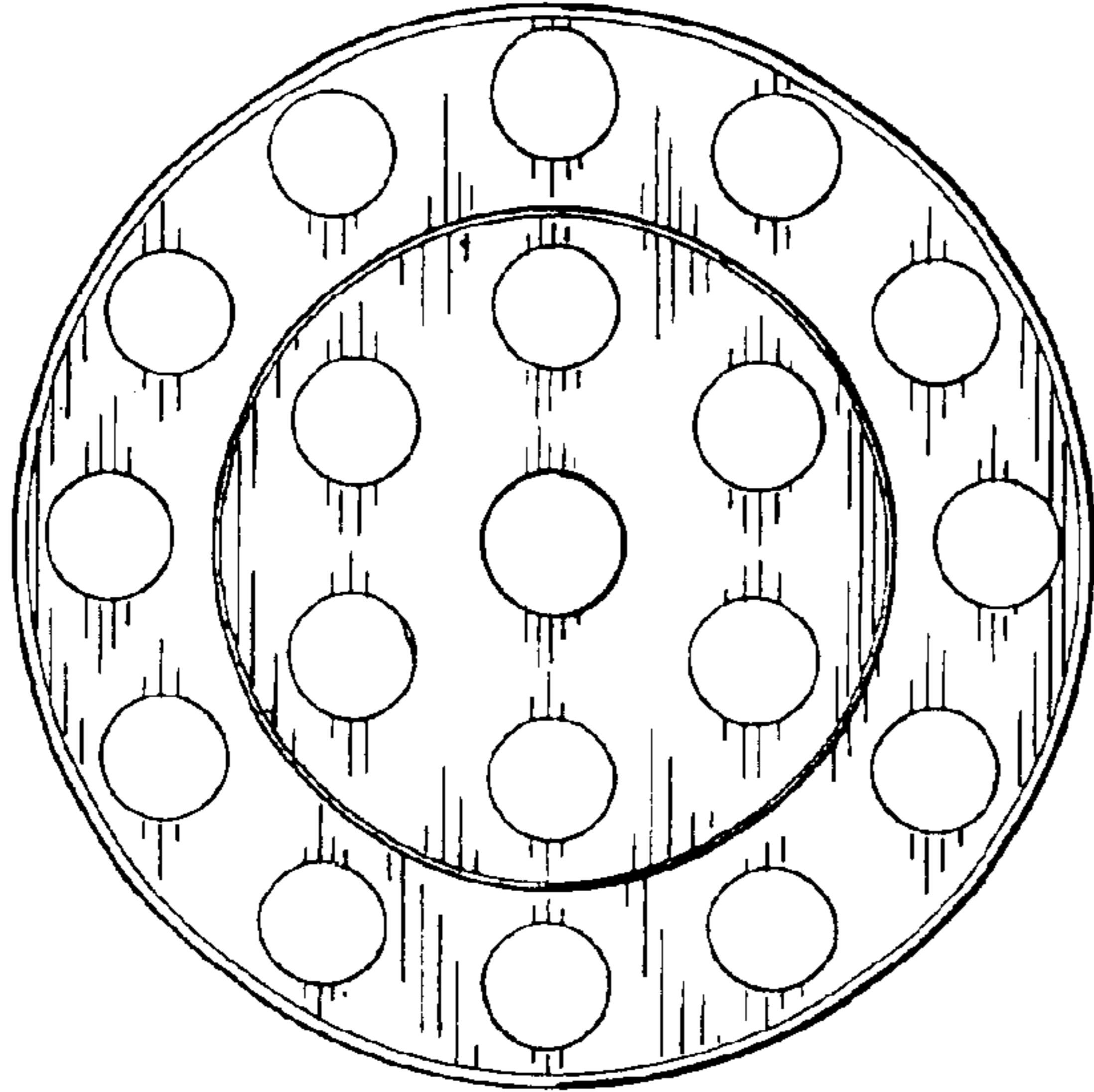


Fig. 4

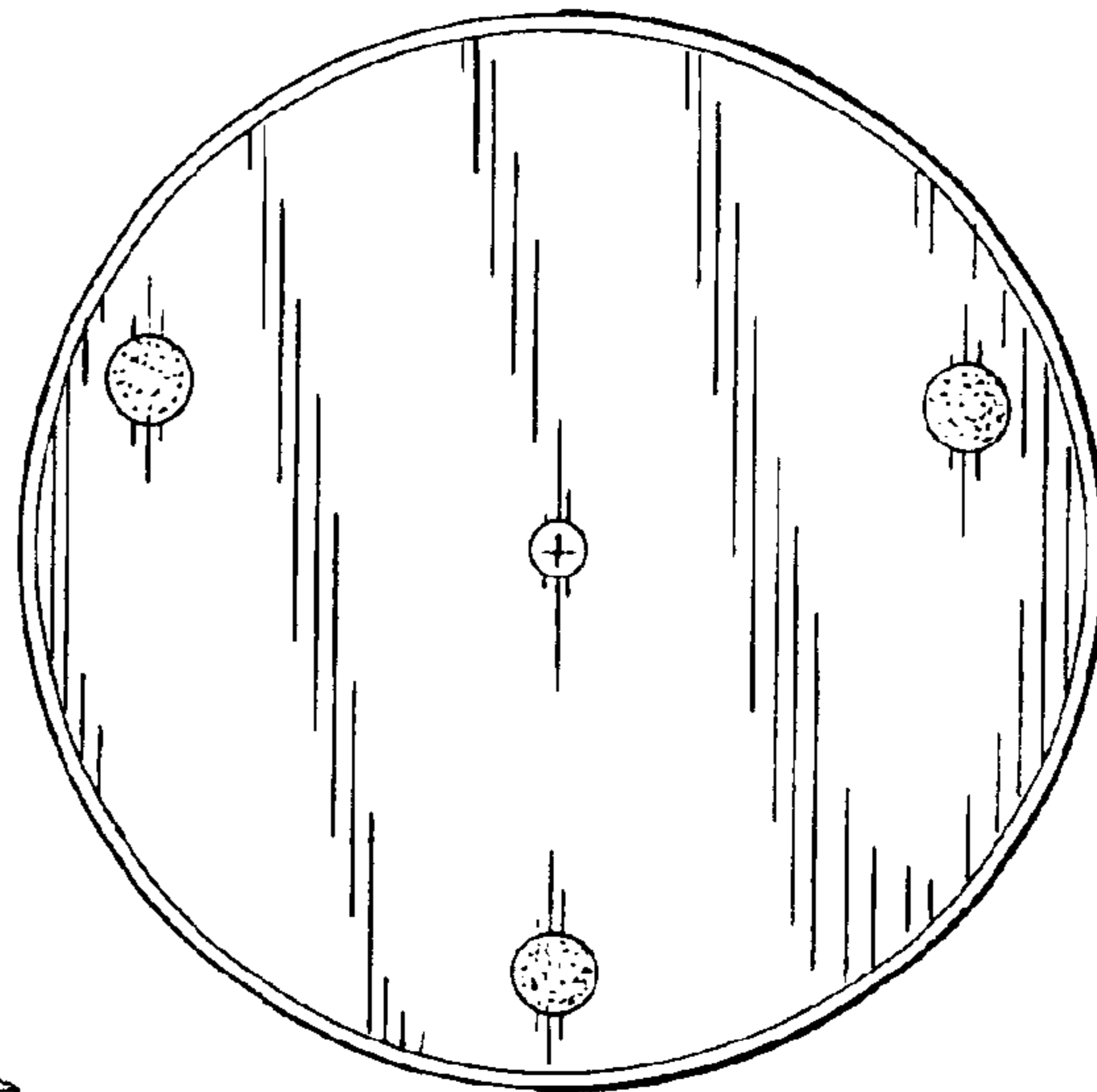


Fig. 5

